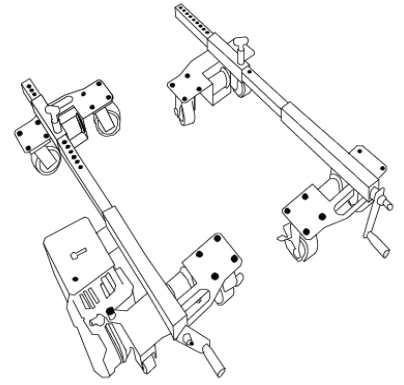


iTOOLCO.

POWER FEEDER

Model #: PF5K

Specifications



SMARTER

Jack up, transport, and power feed any wire

Match speeds with iToolco Cannon 10K Puller

Light weight and wheeled for easy maneuvering

Adjustable size fits any spool from 22" to 72"

5,000 lb. load capacity

FASTER

Variable speed 0 to 200 feet per minute

Easy to set up and roll into place

SAFER

No anchoring needed

Axle-less, won't tip over

No lifting heavy wire spools

Specifications:

	Drive side	Free spinning side
Width	19"	15 1/2"
Length	44" to 64 1/2"	44" to 64 1/2"
Height	10 1/2"	10 1/2"
Weight	67 lbs.	48 lbs.

Weight capacity 5,000 lbs.

Spool diameters 22" to 72"

Spool types: wood, plastic, steel, and parallel spools