



KILLARK®

Sealing Fittings typically not required,
reducing installation time and cost



- Factory Sealed Universal Contact Blocks
- LED Pilot Light Devices as Standard
- No 'Seal Plate' Allows for Direct Wiring
- Explosion-Proof and NEMA 3 Weatherproof
- Available for Class I, Group B Applications

SEAL-XM™

FACTORY SEALED CONTROLS





Class I, Div. 1&2, Groups B*,C,D
Class I, Zone 1&2, Groups IIB, IIA
Class II, Div. 1&2, Groups E,F,G
Class III
NEMA 3, 7(C,D) 9(E,F,G)

 Certified File 2493125

Contact Factory for other certification details

FEATURES-SPECIFICATIONS

SEAL-XM™

Applications

Seal-XM™ Factory Sealed push button stations, selector switches, pilot lights and tumbler switches are used to prevent the igniting of external hazardous atmospheres by the enclosed arcing devices in such areas as:

- Hazardous locations due to the presence of flammable gases or vapors, combustible dusts or easily ignitable fibers or flyings
- Installations at petroleum refineries, chemical and petrochemical plants and other processing or storage facilities where similar hazards exist
- Use in conjunction with magnetic starters or contactors for remote control of motors

Features



- Incorporates Factory Sealed Universal contact blocks and GOB3 LED pilot light devices
- External sealing fittings typically not required, reducing installation time and cost
- No seal plate between the electrical device and back box allows direct wiring to contact terminals
- NEMA 3 weatherproof
- Grounding boss supplied in the splice box
- Sold as complete units 1/2" , 3/4" Dead End and thru feed. 1" hubs available on request
- Standard finish is a grey epoxy powder baked on for ultimate corrosion resistance
- More wiring room in back box

Material & Groups

FXCS-*-M Groups C, D Copper free aluminum cover & box
FXCS-*-MB Groups B, C, D Copper free aluminum cover & box
FXCS-*-MBI Groups B, C, D Copper free aluminum cover & ductile iron back box zinc electroplated
FXCS-*-MI Groups C, D Copper free aluminum cover & ductile iron back box zinc electroplated

Stainless steel captive cover screws
Operating shafts stainless steel

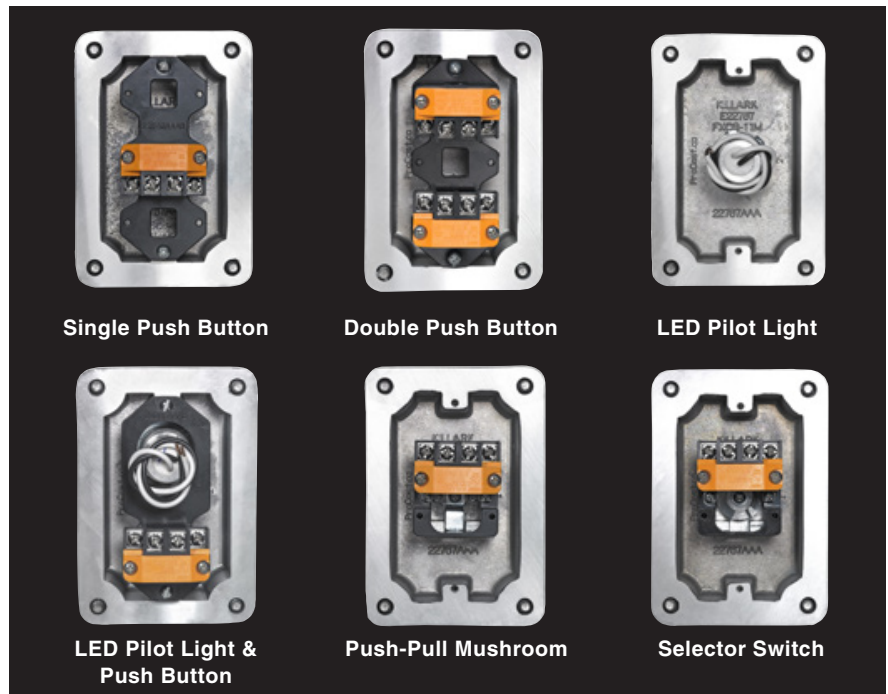
*Group "B" (-MB & -MBI) versions need not be sealed within first 60" of conduit. Sealing fitting required beyond 60"

		Factory Sealed Contact Block
Contact Block Ratings		
Catalog Number	Diagram	
FXCS-*-M		
FXCS-*-MB		
FXCS-*-MBI		
FXCS-*-MI		

Hazardous Rating:
Class 1, Division 2, Groups A,B,C,D Class I, Zone 2, Groups IIB+H2, IIA, T6

Terminal Capacity:
22 thru 12 AWG
[0.52-2.5mm²] copper, solid or stranded conductors.
Tightening torque: 7 in.-lbs. (tolerance +3.0/0.0) [-0.8Nm]

Contact Electrical Ratings:
NEMA A600- 7200 VA (Make), 720 VA (Break), 10 Amps Cont. @600V AC (Thermal)
NEMA Q300-69 VA (Make & Break), 2.5 Amps Cont. @250V DC (Thermal)





Single Push Button



Double Push Button









LED Pilot Light




Class I, Div. 1&2, Groups B*,C,D
Class I, Zone 1&2, Groups IIB, IIA
Class II, Div. 1&2, Groups E,F,G
Class III
NEMA 3, 7(C,D) 9(E,F,G)

 Certified File 2493125

FEATURES-SPECIFICATIONS

SEAL-XM MOMENTARY CONTACT SINGLE PUSH BUTTON						
CATALOG NUMBER		HUB SIZE	DIAGRAM	BUTTON COLOR	LEGEND PLATE MARKING ^②	
BOX COVER ^①						
DEAD-END	FEED-THRU					
FXCS-1B1-M	FXCS-4B1-M	1/2"		Green		Start
FXCS-2B1-M	FXCS-5B1-M	3/4"				
FXCS-1B2-M	FXCS-4B2-M	1/2"		Red		Stop
FXCS-2B2-M	FXCS-5B2-M	3/4"				
FXCS-1B3-M	FXCS-4B3-M	1/2"		Black		Specify
FXCS-2B3-M	FXCS-5B3-M	3/4"				

SEAL-XM MOMENTARY CONTACT DOUBLE PUSH BUTTON						
CATALOG NUMBER		HUB SIZE	DIAGRAM	BUTTON COLOR	LEGEND PLATE MARKING ^②	
BOX & COVER ^①						
DEAD-END	FEED-THRU					
FXCS-1B4-M	FXCS-4B4-M	1/2"		Green/Red		Start/Stop
FXCS-2B4-M	FXCS-5B4-M	3/4"				
FXCS-1B5-M	FXCS-4B5-M	1/2"		Green/Green		Specify
FXCS-2B5-M	FXCS-5B5-M	3/4"				
FXCS-1B7-M	FXCS-4B7-M	1/2"		Black/Black		Specify
FXCS-2B7-M	FXCS-5B7-M	3/4"				

SEAL-XM LED PILOT LIGHT						
CATALOG NUMBER		HUB SIZE	DIAGRAM	VOLT	LENS COLOR	LEGEND PLATE MARKING ^②
BOX & COVER ^①						
DEAD-END	FEED-THRU					
FXCS-1B24CL-M	FXCS-4B24CL-M	1/2"		120V	Clear	Specify
FXCS-2B24CL-M	FXCS-5B24CL-M	3/4"				
FXCS-1B24GL-M	FXCS-4B24GL-M	1/2"		120V	Green	Specify
FXCS-2B24GL-M	FXCS-5B24GL-M	3/4"				
FXCS-1B24RL-M	FXCS-4B24RL-M	1/2"		120V	Red	Specify
FXCS-2B24RL-M	FXCS-5B24RL-M	3/4"				

① Replace -M with -MB for Group "B" Rating, -MI for Iron Back Box, -MBI for Group "B" and Iron Back Box.

② For other than standard legend plate markings refer to 'Custom Legend Plates' on page 5.

* Group "B" (-MB & -MBI) versions need not be sealed within first 60" of conduit. Sealing fittings required beyond 60".



**Double LED
Pilot Light**



**Push Button
LED Pilot Light**



**Push/Pull
Mushroom**

Class I, Div. 1&2, Groups B*,C,D
Class I, Zone 1&2, Groups IIB, IIA
Class II, Div. 1&2, Groups E,F,G
Class III
NEMA 3, 7(C,D) 9(E,F,G)

Certified - File 2493125

FEATURES-SPECIFICATIONS

SEAL-XM DOUBLE LED PILOT LIGHT							
CATALOG NUMBER		HUB SIZE	DIAGRAM	LAMP VOLTS	LENS COLOR ^③	LEGEND PLATE MARKING ^②	
BOX & COVER ^①							
DEAD-END	FEED-THRU						
FXCS-1B30CL-M	FXCS-4B30CL-M	1/2"		120V	Clear	Specify	
FXCS-2B30CL-M	FXCS-5B30CL-M	3/4"		120V	Green	Specify	
FXCS-1B30GL-M	FXCS-4B30GL-M	1/2"		120V	Red	Specify	
FXCS-2B30GL-M	FXCS-5B30GL-M	3/4"		120V	Red/Green	Specify	
FXCS-1B30RL-M	FXCS-4B30RL-M	1/2"		120V		Specify	
FXCS-2B30RL-M	FXCS-5B30RL-M	3/4"		120V		Specify	
FXCS-1B30RL-GL-M	FXCS-4B30RL-GL-M	1/2"		120V		Specify	
FXCS-2B30RL-GL-M	FXCS-5B30RL-GL-M	3/4"		120V		Specify	

SEAL-XM MOMENTARY CONTACT PUSH BUTTON AND LED PILOT LIGHT									
CATALOG NUMBER		HUB SIZE	DIAGRAM	LAMP VOLTS	BUTTON COLOR	LENS COLOR ^③	LEGEND PLATE MARKING ^②		
BOX & COVER ^①									
DEAD-END	FEED-THRU						BUTTON	LENS	
FXCS-1B13-C-M	FXCS-4B13-C-M	1/2"		120V	Red	Clear	Stop	Specify	
FXCS-2B13-C-M	FXCS-5B13-C-M	3/4"		120V	Green	Green	Start	Specify	
FXCS-1B13-O-M	FXCS-4B13-O-M	1/2"		120V	Black	Red	Specify	Specify	
FXCS-2B13-O-M	FXCS-5B13-O-M	3/4"		120V					
FXCS-1B13-U-M	FXCS-4B13-U-M	1/2"		120V					
FXCS-2B13-U-M	FXCS-5B13-U-M	3/4"		120V					

SEAL-XM MAINTAINED CONTACT PUSH/PULL MUSHROOM						
CATALOG NUMBER		HUB SIZE	DIAGRAM	BUTTON COLOR	LEGEND PLATE MARKING ^②	
BOX & COVER ^①						
DEAD-END	FEED-THRU					
FXCS-1MMG3-M	FXCS-4MMG3-M	1/2"		Green	Start	
FXCS-2MMG3-M	FXCS-5MMG3-M	3/4"		Red	Stop	
FXCS-1MMR3-M	FXCS-4MMR3-M	1/2"		Black	Specify	
FXCS-2MMR3-M	FXCS-5MMR3-M	3/4"				
FXCS-1MMK3-M	FXCS-4MMK3-M	1/2"				
FXCS-2MMK3-M	FXCS-5MMK3-M	3/4"				

① Replace -M with -MB for Group "B" Rating, -MI for Iron Back Box, -MBI for Group "B" and Iron Back Box.

② For other than standard legend plate markings refer to 'Custom Legend Plates' on page 5.

③ Lens colors other than listed may be supplied - consult factory for special order.

Note: Four nameplates supplied; EMERG STOP, START, STOP, BLANK.

Operation - when push button is depressed contacts will change state. Operator remains in depressed position until pulled out to normal position.

* Group "B" (-MB & -MBI) versions need not be sealed within first 60" of conduit. Sealing fittings required beyond 60".



Class I, Div. 1&2, Groups B*,C,D
Class I, Zone 1&2, Groups IIB, IIA
Class II, Div. 1&2, Groups E,F,G
Class III
NEMA 3, 7(C,D) 9(E,F,G)

Certified File 2493125

Two Position Selector Switch

Three Position Selector Switch

FEATURES-SPECIFICATIONS

SEAL-XM TWO POSITION SELECTOR SWITCH - MAINTAINED CONTACT				
CATALOG NUMBER		HUB SIZE	LEFT POSITION	RIGHT POSITION
BOX & COVERⓄ				
DEAD-END	FEED-THRU			
FXCS-1S2A1-M	FXCS-4S2A1-M	1/2"		
FXCS-2S2A1-M	FXCS-5S2A1-M	3/4"		
FXCS-1S2A5-M	FXCS-4S2A5-M	1/2"		
FXCS-2S2A5-M	FXCS-5S2A5-M	3/4"		

SEAL-XM THREE POSITION SELECTOR SWITCH - MAINTAINED CONTACT					
CATALOG NUMBER		HUB SIZE	LEFT POSITION	CENTER POSITION	RIGHT POSITION
BOX & COVERⓄ					
DEAD-END	FEED-THRU				
FXCS-1S3C4-M	FXCS-4S3C4-M	1/2"			
FXCS-2S3C4-M	FXCS-5S3C4-M	3/4"			
FXCS-1S3C5-M	FXCS-4S3C5-M	1/2"			
FXCS-2S3C5-M	FXCS-5S3C5-M	3/4"			

SEAL-XM TWO POSITION SELECTOR SWITCH - SPRING RETURN				
CATALOG NUMBER		HUB SIZE	LEFT POSITION	RIGHT POSITION
BOX & COVERⓄ				
DEAD-END	FEED-THRU			
FXCS-1S2L3F-M	FXCS-4S2L3F-M	1/2"		
FXCS-2S2L3F-M	FXCS-5S2L3F-M	3/4"		

SELECTOR SWITCH OPERATION - Spring return to left from right - maintained in left.

SEAL-XM THREE POSITION SELECTOR SWITCH - SPRING RETURN					
CATALOG NUMBER		HUB SIZE	LEFT POSITION	CENTER POSITION	RIGHT POSITION
BOX & COVERⓄ					
DEAD-END	FEED-THRU				
FXCS-1S3M6G-M	FXCS-4S3M6G-M	1/2"			
FXCS-2S3M6G-M	FXCS-5S3M6G-M	3/4"			
SPRING RETURN TO CENTER FROM LEFT AND RIGHT - MAINTAINED CENTER					
FXCS-1S3L6G-M	FXCS-4S3L6G-M	1/2"			
FXCS-2S3L6G-M	FXCS-5S3L6G-M	3/4"			
SPRING RETURN TO CENTER FROM RIGHT - MAINTAINED CENTER AND LEFT					
FXCS-1S3R6G-M	FXCS-4S3R6G-M	1/2"			
FXCS-2S3R6G-M	FXCS-5S3R6G-M	3/4"			
SPRING RETURN TO CENTER FROM LEFT - MAINTAINED CENTER AND RIGHT					

Ⓞ Replace -M with -MB for Group "B" Rating, -MI for Iron Back Box, -MBI for Group "B" and Iron Back Box.

For other than standard legend plate markings refer to 'Custom Legend Plates' on page 5.

* Group "B" (-MB & -MBI) versions need not be sealed within first 60" of conduit. Sealing fittings required beyond 60".



Keyed Selector Switch

Class I, Div. 1&2, Groups B*,C,D
Class I, Zone 1&2, Groups IIB, IIA
Class II, Div. 1&2, Groups E,F,G
Class III
NEMA 3, 7(C,D) 9(E,F,G)

 Certified File 2493125

FEATURES-SPECIFICATIONS

SEAL-XM TWO POSITION KEYED SELECTOR SWITCH - MAINTAINED CONTACT				
CATALOG NUMBER BOX & COVER [Ⓞ]		HUB SIZE	LEFT POSITION	RIGHT POSITION
DEAD-END	FEED-THRU			
FXCS-1K2A1-M	FXCS-4K2A1-M	1/2"		
FXCS-2K2A1-M	FXCS-5K2A1-M	3/4"		
FXCS-1K2A5-M	FXCS-4K2A5-M	1/2"		
FXCS-2K2A5-M	FXCS-5K2A5-M	3/4"		

SEAL-XM THREE POSITION KEYED SELECTOR SWITCH - MAINTAINED CONTACT					
CATALOG NUMBER BOX & COVER [Ⓞ]		HUB SIZE	LEFT POSITION	CENTER POSITION	RIGHT POSITION
DEAD-END	FEED-THRU				
FXCS-1K3C4-M	FXCS-4K3C4-M	1/2"			
FXCS-2K3C4-M	FXCS-5K3C4-M	3/4"			
FXCS-1K3C5-M	FXCS-4K3C5-M	1/2"			
FXCS-2K3C5-M	FXCS-5K3C5-M	3/4"			

SEAL-XM TWO POSITION KEYED SELECTOR SWITCH - SPRING RETURN				
CATALOG NUMBER BOX & COVER [Ⓞ]		HUB SIZE	LEFT POSITION	RIGHT POSITION
DEAD-END	FEED-THRU			
FXCS-1K2L3F22D-M	FXCS-4K2L3F22D-M	1/2"		
FXCS-2K2L3F22D-M	FXCS-5K2L3F22D-M	3/4"		

SELECTOR SWITCH OPERATION - Spring return to left from right - maintained in left.

SEAL-XM THREE POSITION KEYED SELECTOR SWITCH - SPRING RETURN					
CATALOG NUMBER BOX & COVER [Ⓞ]		HUB SIZE	LEFT POSITION	CENTER POSITION	RIGHT POSITION
DEAD-END	FEED-THRU				
FXCS-1K3M6G32D-M	FXCS-4K3M6G32D-M	1/2"			
FXCS-2K3M6G32D-M	FXCS-5K3M6G32D-M	3/4"			

SELECTOR SWITCH - OPERATION - SPRING RETURN TO CENTER FROM LEFT AND RIGHT - MAINTAINED IN CENTER

FXCS-1K3L6G32D-M	FXCS-4K3L6G32D-M	1/2"			
FXCS-2K3L6G32D-M	FXCS-5K3L6G32D-M	3/4"			

SELECTOR SWITCH - OPERATION - SPRING RETURN TO CENTER FROM RIGHT - MAINTAINED CENTER AND LEFT

FXCS-1K3R6G32D-M	FXCS-4K3R6G32D-M	1/2"			
FXCS-2K3R6G32D-M	FXCS-5K3R6G32D-M	3/4"			

SELECTOR SWITCH - OPERATION - SPRING RETURN TO CENTER FROM LEFT - MAINTAINED CENTER AND RIGHT

Ⓞ Replace -M with -MB for Group "B" Rating, -MI for Iron Back Box, -MBI for Group "B" and Iron Back Box.

For other than standard legend plate markings refer to 'Custom Legend Plates' on page 5.

* Group "B" (-MB & -MBI) versions need not be sealed within first 60" of conduit. Sealing fittings required beyond 60".

Randomly Keyed. For keyed alike Maintained Contact Switch add "A" to cat. No. ie. FXCS-1K2A1A-M

For keyed alike Spring Return Switch replace "D" with "A" in cat. No. ie. FXCS-1K2L3F22A-M



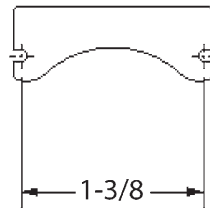


LOCKOUT for STOP PB
 Add - LO to end of cat. no.
 Example: FXCS-IB2-M-LO



LOCKOUT for MUSHROOM HEAD PB
 Add - LO to end of cat. no.
 Example: FXCS-IMMR3-M-LO

CUSTOM LEGEND PLATES (Mounting Screws Included)		
CAT. NO. & DESCRIPTION	CAT. NO. & DESCRIPTION	CAT. NO. & DESCRIPTION
PB & PL Legend Plates	2 Pos. Sel. Swt. Legend Plates	3 Pos. Sel. Swt. Legend Plates
XCSNP - ON	XCSNP - ON-OFF	XCSNP - HAND-OFF-AUT
XCSNP - OFF	XCSNP - OFF-ON	XCSNP - AUT-OFF-HAND
XCSNP - START	XCSNP - OFF-REMOTE	XCSNP - HAND-OFF-REM
XCSNP - STOP	XCSNP - START-STOP	XCSNP - STP-RUN-STRT
XCSNP - ESTOP	XCSNP - UP-DOWN	XCSNP - FWD-OFF-REV
XCSNP - UP	XCSNP - RAISE-LOWER	XCSNP - REV-OFF-FWD
XCSNP - DOWN	XCSNP - HIGH-LOW	XCSNP - RUN-OFF-JOG
XCSNP - FAST	XCSNP - SLOW-FAST	XCSNP - JOG-OFF-RUN
XCSNP - SLOW	XCSNP - START-JOG	XCSNP - SLOW-OFF-FST
XCSNP - IN	XCSNP - RUN-JOG	XCSNP - LOW-OFF-HIGH
XCSNP - OUT	XCSNP - JOG-RUN	XCSNP - RAS-OFF-LOWR
XCSNP - RAISE	XCSNP - FWD-REV	XCSNP - LOCL-OFF-REM
XCSNP - LOWER	XCSNP - HAND-AUTO	XCSNP - 1-OFF-2
XCSNP - HIGH	XCSNP - AUTO-HAND	XCSNP - BLANK-3P*
XCSNP - LOW	XCSNP - MANUAL-AUTO	
XCSNP - OPEN	XCSNP - SLOW-FAST	
XCSNP - CLOSE	XCSNP - OPEN-CLOSE	
XCSNP - FORWARD	XCSNP - BLANK-2P*	
XCSNP - REVERSE		
XCSNP - READY		
XCSNP - RUN		
XCSNP - RESET		
XCSNP - JOG		
XCSNP - INCH		
XCSNP - TEST		
XCSNP - POWER-ON		
XCSNP - JOG-FORWARD		
XCSNP - JOG-REVERSE		
XCSNP - MOTOR-RUN		
XCSNP - MOTOR-STOP		
XCSNP - PUSH-TO-TEST		
XCSNP - BLANK*		



Drilling Instructions
 (if holes not existing)
 Drill #44(.086 Dia)
 x 3/16 deep
 Install with thread cutting
 screws supplied.

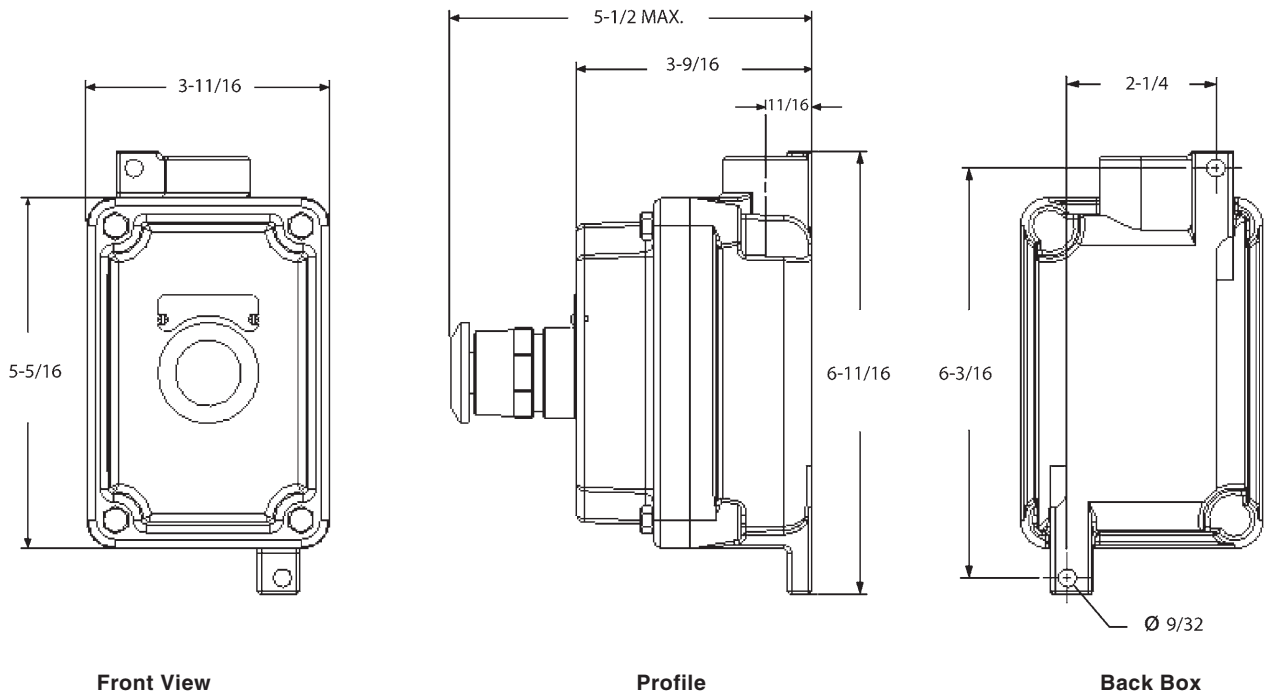
CONTACT BLOCKS
FACTORY SEALED

CATALOG NUMBER D2CU

LED PILOT LIGHTS

DESCRIPTION	CATALOG NO.
120V AC/DC AMBER	YOIDECLSEDHA
120V AC/DC GREEN	YOIDECLSEDHG
120V AC/DC WHITE	YOIDECLSEDHPW
120V AC/DC RED	YOIDECLSEDHR
120V AC/DC BLUE	YOIDECLSEDHS
24V AC/DC AMBER	YOIDECLSTD2A
24V AC/DC GREEN	YOIDECLSTD2G
24V AC/DC WHITE	YOIDECLSTD2W
24V AC/DC RED	YOIDECLSTD2R
24V AC/DC BLUE	YOIDECLSTD2S
240V AC/DC AMBER	YOIDECLSTDM4A
240V AC/DC GREEN	YOIDECLSTDM4G
240V AC/DC WHITE	YOIDECLSTDM4W
240V AC/DC RED	YOIDECLSTDM4R
240V AC/DC BLUE	YOIDECLSTDM4S

* For special markings order blank legend plate and specify marking.



ALSO FROM KILLARK

DuraTech®

D2C Series Non-metallic Controls

Harsh and Hazardous



- Enclosures of rugged polyester resin and gasketed for NEMA 4X hose down protection
- Factory sealed contacts rated for heavy duty operation
- No external seals required for most applications



Factory Sealed
Contact Block
1N.O./1N.C.

Class I, Div. 2, Groups A,B,C,D
Class I, Zone 2, Groups IIC, IIB, IIA
NEMA 3, 4, 4X, 7 (Div.2)



KILLARK®

3940 M.L. King Dr. St. Louis, MO 63113
TEL: (314) 531-0460 FAX: (314) 531-7164
www.hubbell-killark.com

RACO® BELL® KILLARK® HAWKE® CHALMIT® WIEGMANN® VANTAGE®

SBSEAL-XM 11-14

©2014 Hubbell Incorporated (Delaware)