



Class I, Div. 1 & 2
Zones 1 & 2

KILLARK®



**EXPANDING RANGE of
HARSH & HAZARDOUS LED
LUMINAIRES and SYSTEMS**

**LED
MINI-CATALOG**



Scan QR Code with
your mobile device

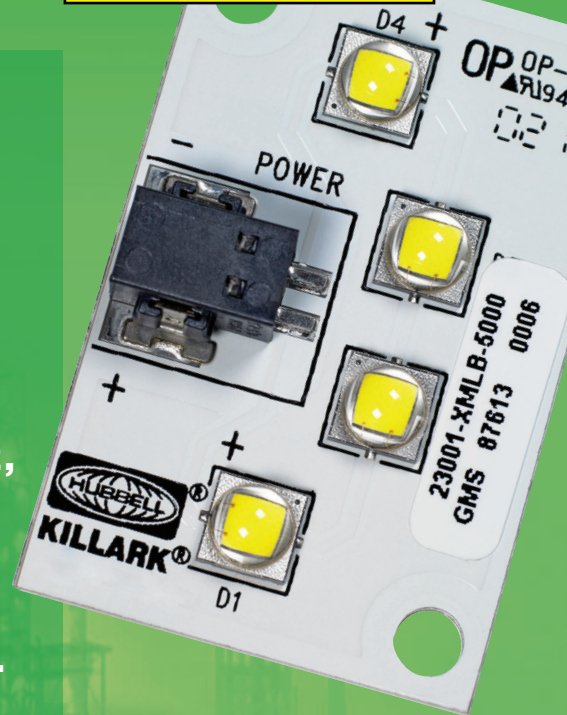
EVER EXPANDING RANGE of HARSH & HAZARDOUS LED LUMINAIRES and SYSTEMS

LED
TECHNOLOGY

From basic Utility Luminaires to complex Egress Lighting Systems, Killark is a major provider of LED labor and energy saving products for harsh and hazardous locations.

Market demand for this long life, clean white light is growing exponentially. Killark is there with a range of products for Class I, Div. 1 & 2, Zones 1 and 2, plus Class II applications.

Killark also satisfies the need for wet and corrosive environments with NEMA 4X ratings.



QUICK LOCATOR TO LED PRODUCTS IN THIS MINI-CATALOG



Series - VSL/DVL
Utility Lights
CID2/C2D1
Starts on page 1



Series - MBL
Compact Size
CID2/Zone 2
Starts on page 10



Series - VM1L
Reduced Profile
CID2/Zone 2
Starts on page 15



Series - VM2L/4L
High Wattage
CID2/Zone 2
Starts on page 21



Series - EML
Explosion-Proof
CID1/Zone 1
Starts on page 33



Series - KFLC
Compact Flood
CID2/Zone 2
Starts on page 37



Series - KFL
Flood Light
CID2/Zone 2
Starts on page 39



Series - KF1L
Explosion-Proof
CID1/Zone 1
Starts on page 41



Series - EBS
Egress Lighting
CID1/Zone 1
Starts on page 43

LED Lighting Range - Back Cover

Lighting Design Software - Inside Back Cover

Lighting Photometry - On Website



KILLARK



UTILITY LIGHT - INTRODUCTION

RETURN to Index



Class I, Div. 2, Groups A,B,C,D
Class I, Zone 2, Groups IIC,IIB,IIA
Class II, Div. 2, Groups F,G^①
Class III
 Suitable for wet locations
 Enclosure Type 4^②

Certified - File LR11713

V SERIES LED

FEATURES-SPECIFICATIONS

Introduction

Killark 'VSL' Series LED fixtures are designed for installations where moisture, dirt, dust, corrosion and vibration may be present, or NEMA 3 and 4 areas where wind, water, snow or high ambi-ents can be expected. VSL's are sized to replace "Utility" type fixtures (incandescent or CFL's) in hallways, closets, elevator pits, docks, stairwells, access tunnels, and mechanical rooms. These fixtures can be used in locations made hazardous by the presence of flammable vapors or gases or combustible dusts as defined by the NEC. Typical applications include manufacturing plants, and certain chemical and petrochemical processing facilities, sewage treatment plants, off-shore and dockside installations, and garage areas.

LED Luminaire Features and Standards

- Compact in Size with Traditional Industrial Appearance and Suitability
- Wide variety of optics including glass globes (clear and tempered, color) plus polycarbonate globes in clear and colors
- Optional Mounting arrangements including Pendant, Wall, Ceiling, Stanchion and Adapters
- Fixtures available unit packed, order option CP
- VSL LED Housings can be retrofitted to existing V series splice boxes; upgrade from CFL or incandescent
- Energy Savings - less than 13 Watts of Power; less than 16 Watts for VSL1630. Replaces 75W or higher incandescent
- Long Life - 60,500+ maintenance-free hours to 70% initial lumens
- Crisp White Light for Excellent Color Rendering - Chromaticity 5000°K (CCT); 70 CRI
- Integral driver - maintains fixture's compact profile to fit in existing spaces

- Ambient suitability -40°C to 55°C^②
- Instant on - including after power interruption
- "World Voltage" 120-277VAC 50/60Hz
- Solder-LESS LED Board Connections – Vibration Resistant
- LM80-08* Measurement of lumen maintenance for LED light sources
- LM79-08* Certified "Absolute" Photometry, including Chromaticity Color for Solid State Lighting
- TM-21* method to project long term lumen maintenance
- L70 Values - Industry Nomenclature for Hours of use to 70% of Initial Lumens

Compliances

- UL-8750 for LED lighting
- UL 1598 standard for luminaires
- UL-844 Standard for lighting fixtures for hazardous locations, Class I, Division 2; Class II, Division 2; Class III, Division 2
- CSA C22.2 no. 137-M1981 electric luminaires for use in hazardous locations
- Enclosed and gasketed
- NEMA 3, 4

Materials, Weights

- Body, splice box and guards are corrosion resistant copper-free aluminum alloy
- Baked powder epoxy/polyester finish, electrostatically applied for complete, uniform corrosion protection
- Reflectors - Polypropylene for pendant or ceiling applications
- Heavy-duty silicone gasketing for NEMA 4 requirements

* LM-xx & TM-21 are Illumination Engineering Society Standards designed to promote uniformity in testing procedures among test labs and manufacturers. For more information go to www.ies.org

① When mounted (globe down) to V series boxes; not Class II, Div. 2 or NEMA 4 on VBA, VFPS, VB or VFL adaptors to sheet metal boxes.

② Glass globe models to 55°C; Polycarbonate suitable to 40°C.

Optic Selection Examples

- Broadest **COLOR** globe offering for Hazardous Locations in the industry
- Use as status lights or specialty/emergency indicators

Clear Glass w/Guard	White Glass w/Guard
Red Glass	Blue Glass
Red Polycarbonate	Clear Polycarbonate



UTILITY LIGHT - CATALOG LOGIC



Clear Glass w/Guard



White Glass w/Guard



Blue Glass



Clear Polycarbonate



Red Polycarbonate

Class I, Div. 2, Groups A,B,C,D
Class I, Zone 2, Groups IIC,IIB,IIA
Class II, Div. 2, Groups F,G^①
Class III
Suitable for wet locations
Enclosure Type 4^①

US Certified - File LR11713

V SERIES LED Catalog Number Logic

- VSL Series Constant** — 1 2 3 4 5 6 7 8
- Lamp Wattage** — 13 = 13W LED
16 = 16W LED
- Voltage** — 30—120-277VAC (13W, 16W)
27—12-24VDC (13W, 16W)
34—120-250VDC (13W)
- Mounting Type**
- NN—Mounr Ordered Separately
 - A1—1/2" Pendant (VGA-1)
 - A2—3/4" Pendant (VGA-2)
 - F1—1/2" Ceiling w/Feet & Adapter (VBC-1 w/VBA)
 - F2—3/4" Ceiling w/Feet & Adapter (VBC-2 w/VBA)
 - X1—1/2" Ceiling (VGX-1)
 - X2—3/4" Ceiling (VGX-2)
 - C1—1/2" Ceiling (VGC-1)
 - C2—3/4" Ceiling (VGC-2)
 - H1—1/2" Ceiling Dead End (VGH-1)
 - H2—3/4" Ceiling Dead End (VGH-2)
 - D1—1/2" Ceiling Deep (VXA-1)
 - D2—3/4" Ceiling Deep (VXA-2)
 - D4—1-1/4" Stanchion (VD-4)
 - RA—Round (Box) Adapter (VBA)
 - SA—Square (Box) Adapter (VFPS)
 - W1—1/2" Wall w/Feet (VBC-1 w/VB-1)
 - W2—3/4" Wall w/Feet (VBC-2 w/VB-2)
 - V1—1/2" Wall Elbow (VB-1)
 - V2—3/4" Wall Elbow (VB-2)
 - FL—Elbow for "V" Box (VFL)

- Reflector**
- S—Standard Reflector (Pendant or Ceiling Use Only)^②
 - CP—Component Pack^③
- Optic Color (Optic Type)**
- A—Amber (S, H, P)
 - B—Blue (S, H)
 - R—Red (S, H, P)
 - G—Green (S, P)
 - P—Purple (S)
 - BG—Blue Green (S, H)
 - W—White (S)
- Guard**
- G—Guard (For Glass Globes Only)
 - N—No Guard (Standard on Polycarbonate Globes)
 - R—Guard Red (For Glass Globes Only)
Can Signify Emergency UPS Circuits
- Optics****
- S— Standard Globe (Clear)
 - H— Heat Resistant (Tempered) Globe (Clear)
 - P— Polycarbonate (Clear)



COLORED GLOBE OPTIONS** Example VSL1330A1SG-A			
SUFFIX AND AVAILABLE COMBINATIONS			
COLOR NUMBER	STANDARD GLOBE	TEMPERED GLOBE	POLYCARBONATE
Amber	A	A	A
Blue	B	B	—
Ruby	R	R	R
Green	G	—	G
Purple	P	—	—
Blue-Green	BG	BG	—
White	W	W	W



** Use tempered glass or poly globe for wet location applications.
^① When mounted (globe down) to V series boxes; not Class II, Div.2 or NEMA 4 on VBA, VFPS, VB or VFL adaptors to sheet metal boxes.
^② Reflector is held on fixture body by VAG-100 guard for glass globe models or polycarbonate globe's shoulder. Reflectors ship separately.
^③ CP option includes complete fixture in components contained in single outer carton.

LIGHTING

VSL SERIES



UTILITY LIGHT - ORDERING INFORMATION



Class I, Div. 2, Groups A,B,C,D
 Class I, Zone 2, Groups IIC,IIB,IIA
 Class II, Div. 2, Groups F,G①
 Class III
 Suitable for wet locations
 Enclosure Type 4②

Certified - File LR11713

ORDERING INFORMATION



PENDANT MOUNT WITH VGA SPLICE BOX 1 - HUB						
LED	Watts	Voltage	Hub Size	Fixture w/Standard Clear Glass Globe & Guard **	Fixture w/Tempered Clear Glass Globe & Guard **	Fixture w/Clear Polycarbonate Globe **
VSL1330	13	120-277VAC	1/2"	VSL1330A1SG	VSL1330A1HG	VSL1330A1PN
			3/4"	VSL1330A2SG	VSL1330A2HG	VSL1330A2PN
VSL1630	16	120-277VAC	1/2"	VSL1630A1SG	VSL1630A1HG	VSL1630A1PN
			3/4"	VSL1630A2SG	VSL1630A2HG	VSL1630A2PN



CEILING MOUNT WITH FEET USING VBC SPLICE BOX AND VBA ADAPTER 4 - HUBS						
LED	Watts	Voltage	Hub Size	Fixture w/Standard Clear Glass Globe & Guard **	Fixture w/Tempered Clear Glass Globe & Guard **	Fixture w/Clear Polycarbonate Globe **
VSL1330	13	120-277VAC	1/2"	VSL1330F1SG	VSL1330F1HG	VSL1330F1PN
			3/4"	VSL1330F2SG	VSL1330F2HG	VSL1330F2PN
VSL1630	16	120-277VAC	1/2"	VSL1630F1SG	VSL1630F1HG	VSL1630F1PN
			3/4"	VSL1630F2SG	VSL1630F2HG	VSL1630F2PN



CEILING MOUNT WITH VGX SPLICE BOX 4 - HUBS						
LED	Watts	Voltage	Hub Size	Fixture w/Standard Clear Glass Globe & Guard **	Fixture w/Tempered Clear Glass Globe & Guard **	Fixture w/Clear Polycarbonate Globe **
VSL1330	13	120-277VAC	1/2"	VSL1330X1SG	VSL1330X1HG	VSL1330X1PN
			3/4"	VSL1330X2SG	VSL1330X2HG	VSL1330X2PN
VSL1630	16	120-277VAC	1/2"	VSL1630X1SG	VSL1630X1HG	VSL1630X1PN
			3/4"	VSL1630X2SG	VSL1630X2HG	VSL1630X2PN



CEILING MOUNT WITH VGC SPLICE BOX - FEED THROUGH 2 - HUBS						
LED	Watts	Voltage	Hub Size	Fixture w/Standard Clear Glass Globe & Guard **	Fixture w/Tempered Clear Glass Globe & Guard **	Fixture w/Clear Polycarbonate Globe **
VSL1330	13	120-277VAC	1/2"	VSL1330C1SG	VSL1330C1HG	VSL1330C1PN
			3/4"	VSL1330C2SG	VSL1330C2HG	VSL1330C2PN
VSL1630	16	120-277VAC	1/2"	VSL1630C1SG	VSL1630C1HG	VSL1630C1PN
			3/4"	VSL1630C2SG	VSL1630C2HG	VSL1630C2PN

① When mounted (globe down) to V series boxes; not Class II, Div.2 or NEMA 4 on VBA, VFPS, VB or VFL adaptors to sheet metal boxes.
 ** Use tempered glass or poly globes for wet location applications. See logic page for available globe colors.





UTILITY LIGHT - ORDERING INFORMATION



Class I, Div. 2, Groups A,B,C,D
 Class I, Zone 2, Groups IIC,IIB,IIA
 Class II, Div. 2, Groups F,G^①
 Class III
 Suitable for wet locations
 Enclosure Type 4^①

Certified - File LR11713

ORDERING INFORMATION

CEILING MOUNT WITH VGH SPLICE BOX - DEAD END 1 - HUB						
LED	Watts	Voltage	Hub Size	Fixture w/Standard Clear Glass Globe & Guard **	Fixture w/Tempered Clear Glass Globe & Guard **	Fixture w/Clear Polycarbonate Globe **
VSL1330	13	120-277VAC	1/2"	VSL1330H1SG	VSL1330H1HG	VSL1330H1PN
			3/4"	VSL1330H2SG	VSL1330H2HG	VSL1330H2PN
VSL1630	16	120-277VAC	1/2"	VSL1630H1SG	VSL1630H1HG	VSL1630H1PN
			3/4"	VSL1630H2SG	VSL1630H2HG	VSL1630H2PN



Glass Globe



Poly Globe

CEILING MOUNT WITH VXA DEEP SPLICE BOX 5 - HUBS						
LED	Watts	Voltage	Hub Size	Fixture w/Standard Clear Glass Globe & Guard **	Fixture w/Tempered Clear Glass Globe & Guard **	Fixture w/Clear Polycarbonate Globe **
VSL1330	13	120-277VAC	1/2"	VSL1330D1SG	VSL1330D1HG	VSL1330D1PN
			3/4"	VSL1330D2SG	VSL1330D2HG	VSL1330D2PN
VSL1630	16	120-277VAC	1/2"	VSL1630D1SG	VSL1630D1HG	VSL1630D1PN
			3/4"	VSL1630D2SG	VSL1630D2HG	VSL1630D2PN



Glass Globe



Poly Globe

CEILING MOUNT WITH VBA ADAPTER FOR ROUND OUTLET BOX 0 - HUBS ^①						
LED	Watts	Voltage	Hub Size	Fixture w/Standard Clear Glass Globe & Guard **	Fixture w/Tempered Clear Glass Globe & Guard **	Fixture w/Clear Polycarbonate Globe **
VSL1330	13	120-277VAC	-	VSL1330RASG	VSL1330RAHG	VSL1330RAPN
VSL1630	16	120-277VAC	-	VSL1630RASG	VSL1630RAHG	VSL1630RAPN



Glass Globe



Poly Globe

CEILING MOUNT WITH VFPS ADAPTER FOR SQUARE OR OCTAGON OUTLET BOX 0 - HUBS ^①						
LED	Watts	Voltage	Hub Size	Fixture w/Standard Clear Glass Globe & Guard **	Fixture w/Tempered Clear Glass Globe & Guard **	Fixture w/Clear Polycarbonate Globe **
VSL1330	13	120-277VAC	-	VSL1330SASG	VSL1330SAHG	VSL1330SAPN
VSL1630	16	120-277VAC	-	VSL1630SASG	VSL1630SAHG	VSL1630SAPN



Glass Globe



Poly Globe

^① When mounted (globe down) to V series boxes; not Class II, Div.2 or NEMA 4 on VBA, VFPS, VB or VFL adaptors to sheet metal boxes.
 ** Use tempered glass or poly globes for wet location applications. See logic page for available globe colors.

LIGHTING

VSL SERIES



UTILITY LIGHT - ORDERING INFORMATION



Class I, Div. 2, Groups A,B,C,D
 Class I, Zone 2, Groups IIC,IIB,IIA
 Class II, Div. 2, Groups F,G[Ⓛ]
 Class III
 Suitable for wet locations
 Enclosure Type 4[Ⓛ]

Certified - File LR11713

ORDERING INFORMATION



Glass Globe

Poly Globe

WALL MOUNT WITH FEET USING VBC SPLICE BOX AND VB ELBOW 4 - HUBS						
LED	Watts	Voltage	Hub Size	Fixture w/Standard Clear Glass Globe & Guard **	Fixture w/Tempered Clear Glass Globe & Guard **	Fixture w/Clear Polycarbonate Globe **
VSL1330	13	120-277VAC	1/2"	VSL1330W1SG	VSL1330W1HG	VSL1330W1PN
			3/4"	VSL1330W2SG	VSL1330W2HG	VSL1330W2PN
VSL1630	16	120-277VAC	1/2"	VSL1630W1SG	VSL1630W1HG	VSL1630W1PN
			3/4"	VSL1630W2SG	VSL1630W2HG	VSL1630W2PN



Glass Globe

Poly Globe

WALL MOUNT WITH VB ELBOW TO MOUNT TO 4 " OUTLET BOX 0 - HUBS [Ⓛ]						
LED	Watts	Voltage	Neck Hub Size	Fixture w/Standard Clear Glass globe & Guard **	Fixture w/Tempered Clear Glass globe & Guard **	Fixture w/Clear Polycarbonate Globe **
VSL1330	13	120-277VAC	1/2"	VSL1330V1SG	VSL1330V1HG	VSL1330V1PN
			3/4"	VSL1330V2SG	VSL1330V2HG	VSL1330V2PN
VSL1630	16	120-277VAC	1/2"	VSL1630V1SG	VSL1630V1HG	VSL1630V1PN
			3/4"	VSL1630V2SG	VSL1630V2HG	VSL1630V2PN



Glass Globe

Poly Globe

WALL MOUNT-WITH VFL ELBOW FOR DIRECT MOUNT TO V SERIES SPLICE BOXES 0 - HUBS [Ⓛ]						
LED	Watts	Voltage	Hub Size	Fixture w/Standard Clear Glass Globe & Guard **	Fixture w/Tempered Clear Glass Globe & Guard **	Fixture w/Clear Polycarbonate Globe **
VSL1330	13	120-277VAC	-	VSL1330FLSG	VSL1330FLHG	VSL1330FLPN
VSL1630	16	120-277VAC	-	VSL1630FLSG	VSL1630FLHG	VSL1630FLPN



Glass Globe

Poly Globe

STANCHION MOUNT FOR 1 - 1 / 4 " THREADED PIPE 1 - HUB						
LED	Watts	Voltage	Hub Size	Fixture w/Standard Clear Glass Globe & Guard **	Fixture w/Tempered Clear Glass Globe & Guard **	Fixture w/Clear Polycarbonate Globe **
VSL1330	13	120-277VAC	1-1/4"	VSL1330D4SG	VSL1330D4HG	VSL1330D4PN
VSL1630	16	120-277VAC	1-1/4"	VSL1630D4SG	VSL1630D4HG	VSL1630D4PN

[Ⓛ] When mounted (globe down) to V series boxes; not Class II, Div.2 or NEMA 4 on VBA, VFPS, VB or VFL adaptors to sheet metal boxes.
 ** Use tempered glass or poly globes for wet location applications. See logic page for available globe colors.





UTILITY LIGHT - COMPONENTS



VSL Body

**RETROFIT
FOR ENERGY
SAVINGS**

VSL Fixture Bodies Only

Fixture bodies contain the LED driver and array, heat sink plus gaskets, and are threaded to accept globes, guards and reflectors. Users with KILLARK "V" Series vapor tight fixtures from the 1960's onward can upgrade to the latest technology and, in many cases, reuse existing mounts, globes and guards. VSL bodies are designed for metallic boxes and mount directly to V Series splice boxes or adapters as indicated.

VSL FIXTURE BODIES	
CATALOG NUMBER	DESCRIPTION
VSL1330	13W 120-277VAC 50/60Hz Body with LEDs and Driver
VSL1630	16W 120-277VAC 50/60Hz Body with LEDs and Driver



VGA



VGH

VSL Splice Boxes

For use with VSL Series fixture bodies.

VSL SPLICE BOXES				
CATALOG NUMBER	HUB SIZE	QTY.	LOGIC CODE	DESCRIPTION
VGA-1	1/2"	1	A1	Pendant mount
VGA-2	3/4"	1	A2	
VGH-1	1/2"	1	H1	Ceiling mount
VGH-2	3/4"	1	H2	
VGC-1	1/2"	2	C1	Ceiling mount
VGC-2	3/4"	2	C2	
VGX-1	1/2"	4	X1	Ceiling mount
VGX-2	3/4"	4	X2	
VXA-1	1/2"	5	D1	Ceiling mount, deep box
VXA-2	3/4"	5	D2	
VBC-1*	1/2"	4	F1	Ceiling mount, with 3 close-up plugs (requires VBA Adapter) or wall mount with VB elbow
VBC-2*	3/4"	4	F2	
VXAB	—	—	—	Blank close-up plate (less gasket)

*Volume cu. in. is 18



VGC



VGX



VXA



VBC

VSL Adapters

VSL ADAPTER MOUNTING PLATES	
CATALOG NUMBER	DESCRIPTION
VBA	Adapts fixture body to VB, VJ or steel 3-1/2" & 4" splice boxes. Supplied with gasket.
VFPS	Adapts fixture body to steel 4" square outlet boxes or 3-1/2" or 4" octagon boxes



VBA



VFPS

VSL Wall/Stanchion Mounts

VSL MOUNTING BRACKETS			
CATALOG NUMBER	HUB SIZE	QTY.	DESCRIPTION
VB-1	1/2"	1	Wall mount to VJ or VB boxes
VB-2	3/4"	1	Wall mount to VJ or VB boxes
VFL	—	—	Wall mount to V boxes directly or to VJ, VB boxes with VBA adapter
VD-4	1-1/4"	1	Stanchion mount



VB



VFL



VD

LIGHTING

VSL SERIES



UTILITY LIGHT - COMPONENTS, RATINGS & WEIGHTS

VSL Globes



VSL GLOBES - ORDERING INFORMATION AND SUFFIX GRID**						
COLOR	GLASS	OPTIC LOGIC	TEMPERED GLASS	OPTIC LOGIC	POLYCARBONATE	OPTIC LOGIC
Clear	VCG-100	S*	VCGP-100	H*	VPLCG-100	P*
Amber	VAMG-100	A	VAMGP-100	A	VPLCG-100A	A
Blue	VBG-100	B	VBGP-100	B	—	—
Ruby (Red)	VRG-100	R	VRGP-100	R	VPLCG-100R	R
Green	VRSG-100	G	—	—	VPLCG-100G	G
Purple	VPG-100	P	—	—	—	—
Blue-Green	VGG-100	BG	VGGP-100	BG	—	—
White	VWG-100	W	VWGP-100	W	VPLCG-100W	W

* See Pre-configured ordering tables for complete fixtures.

** Use tempered glass or polycarbonate globes for wet location applications.



VSL Components

VSL COMPONENT PARTS AND ACCESSORIES	
CATALOG NUMBER	DESCRIPTION
VAG-100	Aluminum Guard for use with Glass Globe
VAG-100R	Red Aluminum Guard for use with Glass Globe
VTG-S	Body to Splice Box Gasket - Silicone
VTGG1-S	Globe Gasket - Silicone
VPRSD-100	White polypropylene for pendant & ceiling applications. Not for use with wall or stanchion models.

Typical Weights (lbs.) w/Standard Globe and Guard - VSL Series

Pendant 7.03	Ceiling 7.51	Wall 8.09	Stanchion 7.61
--------------	--------------	-----------	----------------

VSL Thermal Ratings

VSL THERMAL PERFORMANCE DATA INCLUDING VPRSD-100 REFLECTOR								
CATALOG NUMBER	AMBIENT	C1D2		C2D2		SUPPLY WIRE	L70 ^③	
		GLASS GLOBE	POLY GLOBE	GLASS GLOBE	POLY GLOBE		TM-21	CALCULATED
VSL1330	40°C	T6	T5	T5 (F,G)	T5 (F,G)	90°	60,500	100,000+
VSL1330	55°C	T5	—	—	—	90°	60,500	100,000+
VSL1630	40°C	T5	—	T5 (F,G)	—	90°	60,500	100,000+

VSL Electrical Ratings

VSL LED BODY WITH DRIVERS ^① AND LEDS - ELECTRICAL RATINGS					
CATALOG NUMBER	VOLTAGE 50/60HZ	WATTAGE	AMPS 120/277	CIL ^②	WEIGHT LBS.
VSL1330	120-277VAC	12.42	.108/.047	1300	5.0
VSL1630	120-277VAC	15.64	.156/.067	1625	5.0

VSL TOTAL LUMEN OUTPUT			
WATTAGE	W/ GLOBE VCG-100	W/GLOBE VPLCG-100	W/GLOBE VWG100
13W	1211	1104	905
16W	1328	1308	1072

① Driver THD<20%, Powerfactor >90% @ 120V; Line regulation 2%; Load regulation 5%; Protected against Over-voltage and Overcurrent.

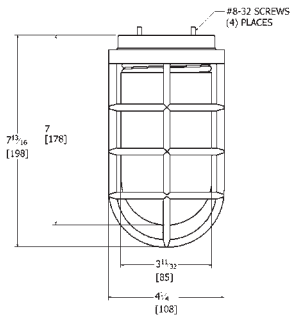
② CIL = Calculated Initial Lumens of LED component based on mfg. data and driver current INSIDE the optic. This value is provided as a reference only for comparison to traditional light sources such as Incandescent, HID, or fluorescent which use initial values in "relative" photometry. KILLARK LED luminaires are tested using the Absolute photometry method (LM79-08), which calculates delivered lumens only. KILLARK's LED luminaires provide very bright white 5000° K (CCT) color and can appear brighter than traditional light sources with higher lumen values under both photopic and scotopic conditions.

③ "TM-21 based values require very long duration testing. The L70/TM-21 "official reported" value is based on 10,000 hours testing at 1000mA drive current ("reported L70" is a factor of test duration). KILLARK's VSL utilizes lower 450mA maximum drive current - "calculated" values by the chip vendor predict L70 life substantially in excess of 100,000 hours even at 1000mA."

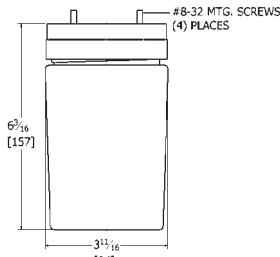




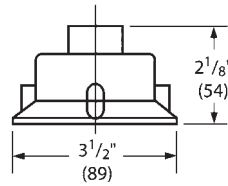
UTILITY LIGHT - DIMENSIONS



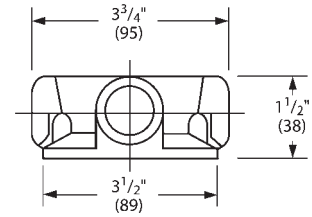
VSL Body w/Globe & Guard, No Splice Box



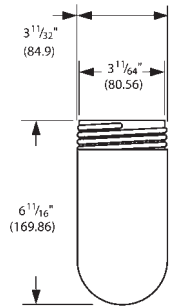
VSL Body w/Polycarbonate Globe, No Splice Box



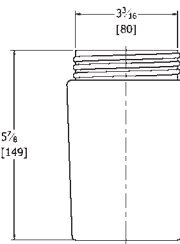
VGA



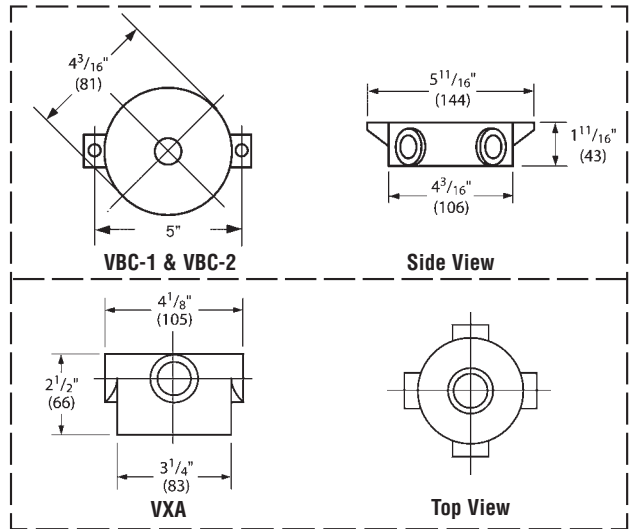
VGC or VGX
*VGX is 3-5/8" (92)



Glass Globe



Polycarbonate Globe

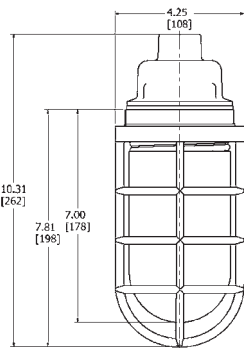


VBC-1 & VBC-2

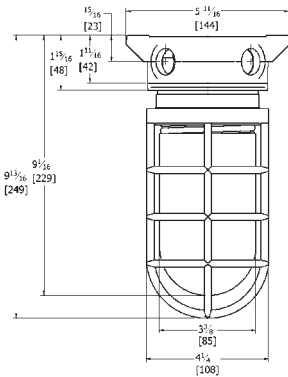
Side View

VXA

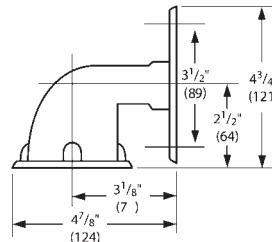
Top View



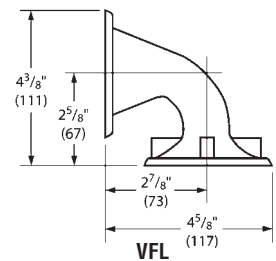
VSL Pendant Fixture w/Globe & Guard



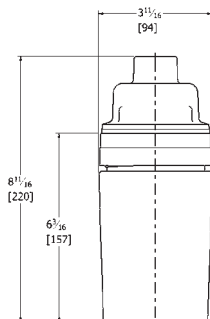
VSL Ceiling Fixture w/Globe & Guard



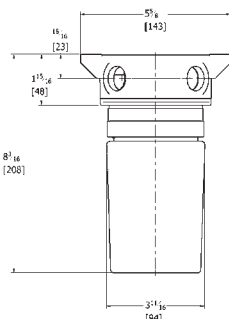
VB



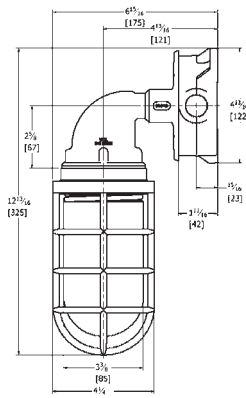
VFL



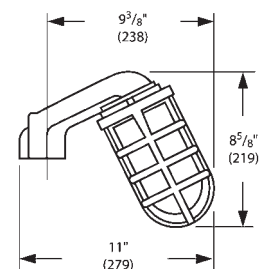
VSL Pendant Fixture w/Polycarbonate Globe



VSL Ceiling Fixture w/Polycarbonate Globe



VSL Wall Mounted Fixture w/Globe & Guard



VSL Stanchion Fixture w/Globe & Guard

LIGHTING



DVL SERIES

CLASS II UTILITY LIGHT - INTRODUCTION & ORDERING INFORMATION



Class II, Div. 1 & 2, Groups E, F, G
Class III
Class I, Div. 2, Groups A, B, C, D

SP US Certified - File LR11713

DV SERIES LED

FEATURES-SPECIFICATIONS

Introduction

Killark 'DVL' Series LED fixtures are designed for hazardous locations where suspended metal, carbon (such as coal) and grain dusts create explosive or ignitable mixture with the air.

LED Luminaire Features and Standards

- Compact in Size with Traditional Industrial Appearance and Suitability
- DVL LED Housings can be retrofitted to existing DV Series splice boxes; upgrade from incandescent housing 100 Series components
- Long Life - 60,500+ maintenance-free hours to 70% initial lumens
- Crisp White Light for Excellent Color Rendering - Chromaticity 5000°K (CCT); 70 CRI
- Integral driver - maintains fixture's compact profile to fit in existing spaces
- Instant on - including after power interruption
- "World Voltage" 120-277VAC 50/60Hz
- Solder-LESS LED Board Connections - Vibration Resistant

Compliances

- UL-8750 for LED lighting
- UL 1598 standard for luminaires
- UL-844 Standard for lighting fixtures for hazardous locations, Class I, Division 2; Class II, Division 2; Class III, Division 2
- CSA C22.2 no. 137-M1981 electric luminaries for use in hazardous locations

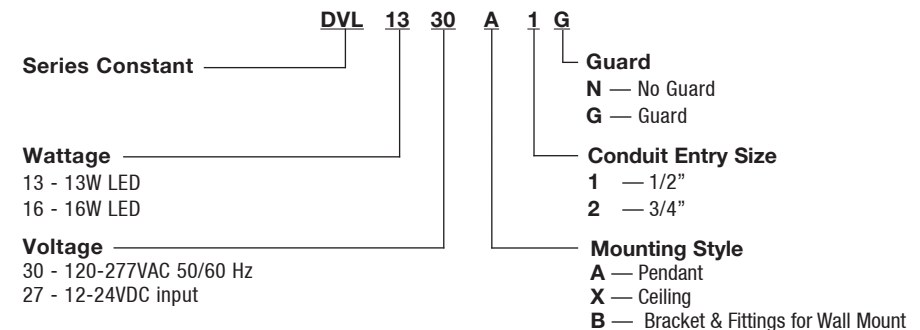
Materials, Weights

- Body and splice box are corrosion resistant copper-free aluminum alloy. Steel guard.
- Baked powder epoxy/polyester finish, electrostatically applied for complete, uniform corrosion protection

DVL 100 SERIES ①						
MODEL	LAMP	HUB	PENDANT	CEILING	WALL	DELIVERED LUMENS
Type 100 13Watt	Included	1/2"	DVL1330A1G	DVL1330X1G	DVL1330B1G	1144
		3/4"	DVL1330A2G	DVL1330X2G	DVL1330B2G	
Type 100 16Watt	Included	1/2"	DVL1630A1G	DVL1630X1G	DVL1630B1G	1355
		3/4"	DVL1630A2G	DVL1630X2G	DVL1630B2G	

① Fixtures supplied with guard. Substitute 'n' for 'g' for fixture less guard.

DVL Series LED Catalog Logic



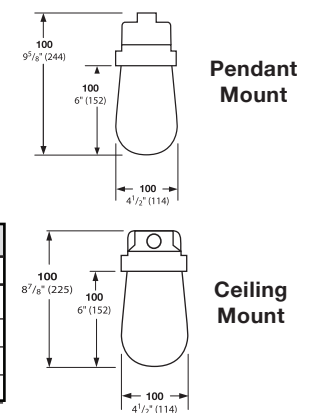
Accessories/Components

Bodies		Mounts	
DVL 1330	LED 13W	DVA1	1/2" Pendant Mount
DVL 1327	LED 13W	DVA2	3/4" Pendant Mount
DVL 1630	LED 16W	DX1	1/2" Ceiling Mount
DVL 1627	LED 16W	DX2	3/4" Ceiling Mount
		DVB1	1/2" Wall Mount
		DVB2	3/4" Wall Mount

Globe	Guard
DCGE-10	DAG-100

Dimensions

As 100 Series incandescent



DVL THERMAL RATINGS						
CAT. NO.	AMBIENT	WATTS	C2D1 EFG	C1D2 ABCD	SUPPLY WIRE	
DVL1330	40°C	13	T3B	T6	90°C	
DVL1630	40°C	16	T3B	T6	90°C	
DVL1330	55°C	13	-	T5	90°C	
DVL1630	55°C	16	-	T5	90°C	

DVL Electrical and L70 Ratings

Same as VSL Series - See page 7

Wall Mount overall dimensions

Height = 13.125" (333mm)
Outward from wall = 7.4" (188mm)





COMPACT SIZE - INTRODUCTION & LOGIC

RETURN to Index



Luminaire w/Glass Refractor and Guard



Luminaire w/Flat Lens



Wall Mount w/VZRFR8PR Pathway Reflector

LED TECHNOLOGY

Expanded wattage range RANGE
14, 17, 20, 25, 40, 45, 50W

Class I, Div. 2, Groups A,B,C,D
Class I, Zone 2, Groups IIC,IIB,IIA
Class II, Div. 1 & 2, Groups E,F,G
Class III
Suitable for wet locations
Marine
NEMA 3, 4X

Certified - File LR11713

CERTILITE® LED

FEATURES-SPECIFICATIONS

Applications

CERTILITE® MBL LED fixtures are designed for installations where moisture, dirt, dust, corrosion and vibration may be present, or NEMA 3 and 4X areas where wind, water, snow or high ambients can be expected. They can be used in locations made hazardous by the presence of flammable vapors or gases or combustible dusts as defined by the NEC.

Typical applications can low ceiling areas in manufacturing plants, and certain chemical and petrochemical processing facilities, sewage treatment plants, off-shore and dockside installations, garages and storage facilities.

Compliances

- UL-8750 for LED lighting; UL 1598A
- UL Marine type lighting fixtures
UL-844 Standard for lighting fixtures for hazardous locations, Class I, Division 2; Class II, Divisions 1 and 2; Class III
- CSA C22.2 no. 137-M1981 electric luminaires for use in hazardous locations
- Enclosed and gasketed
- NEMA 3, 4X

Materials

- Ballast tank, splice box and guards (MBAG, VMAG) corrosion resistant copper-free aluminum alloy
- Baked powder epoxy/polyester finish, electrostatically applied for complete, uniform corrosion protection
- All external hardware - stainless steel
- Reflectors - Polyester reinforced fiberglass

Non-Glass Polycarbonate 8" Flat Lens or Spin-top

NEW!
NON-GLASS
FOOD SUITABILITY

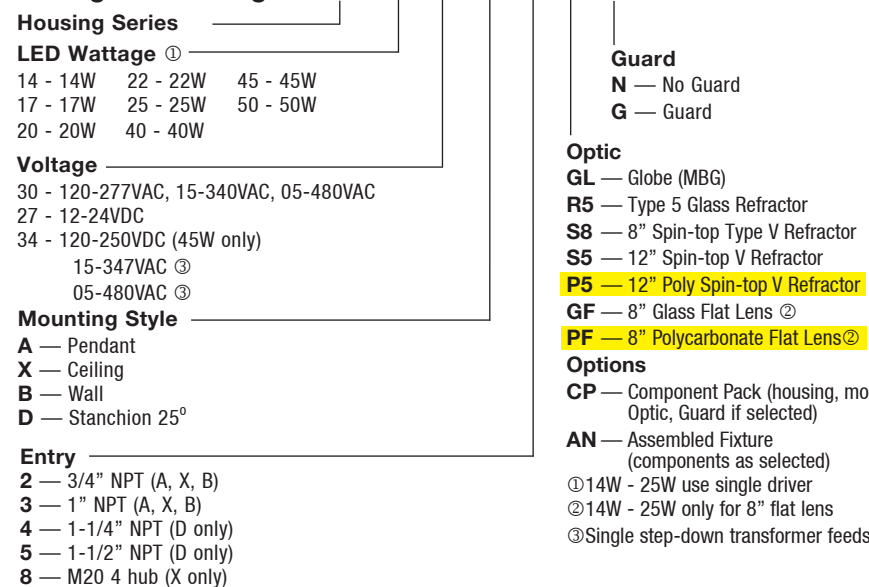


LED Luminaire Features and Standards

- Compact in Size with Traditional Industrial Appearance and Suitability
- Wide variety of optics including globes, globes with reflectors, all-glass refractors, and spin-top refractors
- Optional Mounting arrangements including Pendant, Wall, Ceiling, and Stanchion
- MBL LED Housings can be retrofitted to existing MB splice boxes; upgrade from Fluorescent or HID
- Energy Savings - less than 50 Watts of Power; 25 Watts for MBL2230
- Long Life up to 100,000+ maintenance free hours to 70% initial lumens
- Crisp White Light for Excellent Color Rendering - Chromaticity 5000°K (CCT); 70 CRI, TM-21
- Ambient suitability -40°C to 40°C (to 55°C for 14W to 22W)
- Instant on - including after power interruption
- "World Voltage" 120-277VAC 50/60Hz
- Solder-LESS LED Board Connections – Vibration Resistant
- Dual Drivers 40, 45, 50W - Redundant Systems (built-in backup), or for additional energy savings half of MBL4530 can be turned off ①
- LM80-08* Measurement of lumen maintenance for LED light sources
- LM79-08* Certified "Absolute" Photometry, including Chromaticity Color for Solid State Lighting
- L70 Values - Industry Nomenclature for Hours of use to 70% of Initial Lumens (TM-21+ Cal.)

* LM-xx are Illumination Engineering Society Standards designed to promote uniformity in testing procedures among test labs and manufacturers. For more information go to www.ies.org

Catalog Number Logic



LIGHTING

MBL SERIES



COMPACT SIZE - ORDERING INFORMATION



PENDANT

CEILING

WALL

STANCHION

ORDERING INFORMATION

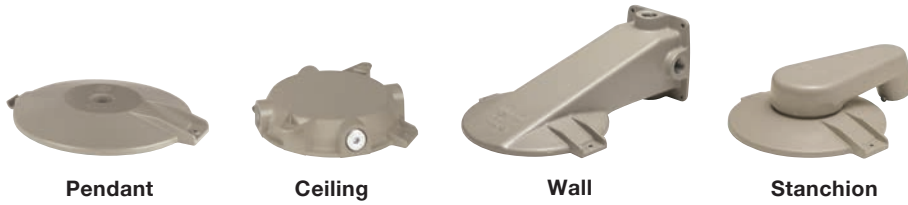
MBL SERIES PENDANT WITH OPTIC AND GUARD							
WATTS	HUB SIZE ^②	VOLTAGE ^③	GLOBE & GUARD	8" SPIN-TOP POLYCARBONATE FLAT LENS*	TYPE V GLASS REFRACTOR & GUARD	8" SPIN-TOP TYPE V REFRACTOR & GUARD	12" SPIN-TOP TYPE V REFRACTOR & GUARD
14	3/4"	120-277VAC	MBL1430A2GLG	MBL1430A2PFN	MBL1430A2R5G	MBL1430A2S8G	MBL1430A2S5G
17	3/4"	120-277VAC	MBL1730A2GLG	MBL1730A2PFN	MBL1730A2R5G	MBL1730A2S8G	MBL1730A2S5G
20	3/4"	120-277VAC	MBL2030A2GLG	MBL2030A2PFN	MBL2030A2R5G	MBL2030A2S8G	MBL2030A2S5G
22	3/4"	120-277VAC	MBL2230A2GLG	MBL2230A2PFN	MBL2230A2R5G	MBL2230A2S8G	MBL2230A2S5G
25	3/4"	120-277VAC	MBL2530A2GLG	MBL2530A2PFN	MBL2530A2R5G	MBL2530A2S8G	MBL2530A2S5G
40	3/4"	120-277VAC	MBL4030A2GLG	-	MBL4030A2R5G	MBL4030A2S8G	MBL4030A2S5G
45	3/4"	120-277VAC	MBL4530A2GLG	-	MBL4530A2R5G	MBL4530A2S8G	MBL4530A2S5G
50	3/4"	120-277VAC	MBL5030A2GLG	-	MBL5030A2R5G	MBL5030A2S8G	MBL5030A2S5G
MBL SERIES CEILING WITH OPTIC AND GUARD ^①							
14	3/4"	120-277VAC	MBL1430X2GLG	MBL1430X2PFN	MBL1430X2R5G	MBL1430X2S8G	MBL1430X2S5G
17	3/4"	120-277VAC	MBL1730X2GLG	MBL1730X2PFN	MBL1730X2R5G	MBL1730X2S8G	MBL1730X2S5G
20	3/4"	120-277VAC	MBL2030X2GLG	MBL2030X2PFN	MBL2030X2R5G	MBL2030X2S8G	MBL2030X2S5G
22	3/4"	120-277VAC	MBL2230X2GLG	MBL2230X2PFN	MBL2230X2R5G	MBL2230X2S8G	MBL2230X2S5G
25	3/4"	120-277VAC	MBL2530X2GLG	MBL2530X2PFN	MBL2530X2R5G	MBL2530X2S8G	MBL2530X2S5G
40	3/4"	120-277VAC	MBL4030X2GLG	-	MBL4030X2R5G	MBL4030X2S8G	MBL4030X2S5G
45	3/4"	120-277VAC	MBL4530X2GLG	-	MBL4530X2R5G	MBL4530X2S8G	MBL4530X2S5G
50	3/4"	120-277VAC	MBL5030X2GLG	-	MBL5030X2R5G	MBL5030X2S8G	MBL5030X2S5G
MBL SERIES WALL WITH OPTIC AND GUARD ^①							
14	3/4"	120-277VAC	MBL1430B2GLG	MBL1430B2PFN	MBL1430B2R5G	MBL1430B2S8G	MBL1430B2S5G
17	3/4"	120-277VAC	MBL1730B2GLG	MBL1730B2PFN	MBL1730B2R5G	MBL1730B2S8G	MBL1730B2S5G
20	3/4"	120-277VAC	MBL2030B2GLG	MBL2030B2PFN	MBL2030B2R5G	MBL2030B2S8G	MBL2030B2S5G
22	3/4"	120-277VAC	MBL2230B2GLG	MBL2230B2PFN	MBL2230B2R5G	MBL2230B2S8G	MBL2230B2S5G
25	3/4"	120-277VAC	MBL2530B2GLG	MBL2530B2PFN	MBL2530B2R5G	MBL2530B2S8G	MBL2530B2S5G
40	3/4"	120-277VAC	MBL4030B2GLG	-	MBL4030B2R5G	MBL4030B2S8G	MBL4030B2S5G
45	3/4"	120-277VAC	MBL4530B2GLG	-	MBL4530B2R5G	MBL4530B2S8G	MBL4530B2S5G
50	3/4"	120-277VAC	MBL5030B2GLG	-	MBL5030B2R5G	MBL5030B2S8G	MBL5030B2S5G
MBL SERIES 25° STANCHION WITH OPTIC AND GUARD ^①							
14	1-1/4" ^④	120-277VAC	MBL1430D4GLG	MBL1430D4PFN	MBL1430D4R5G	MBL1430D4S8G	MBL1430D4S5G
17	1-1/4" ^④	120-277VAC	MBL1730D4GLG	MBL1730D4PFN	MBL1730D4R5G	MBL1730D4S8G	MBL1730D4S5G
20	1-1/4" ^④	120-277VAC	MBL2030D4GLG	MBL2030D4PFN	MBL2030D4R5G	MBL2030D4S8G	MBL2030D4S5G
22	1-1/4" ^④	120-277VAC	MBL2230D4GLG	MBL2230D4PFN	MBL2230D4R5G	MBL2230D4S8G	MBL2230D4S5G
25	1-1/4" ^④	120-277VAC	MBL2530D4GLG	MBL2530D4PFN	MBL2530D4R5G	MBL2530D4S8G	MBL2530D4S5G
40	1-1/4" ^④	120-277VAC	MBL4030D4GLG	-	MBL4030D4R5G	MBL4030D4S8G	MBL4030D4S5G
45	1-1/4" ^④	120-277VAC	MBL4530D4GLG	-	MBL4530D4R5G	MBL4530D4S8G	MBL4530D4S5G
50	1-1/4" ^④	120-277VAC	MBL5030D4GLG	-	MBL5030D4R5G	MBL5030D4S8G	MBL5030D4S5G

① Catalog numbers shown are with Guard; to omit guard change ending G to N; e.g. MBL2230A2GLN
 ② Catalog numbers shown are with 3/4" conduit openings; change "2" to "3" for 1" e.g. MBL2230A3GLG
 ③ 120VAC through 277VAC 50/60Hz
 ④ Catalog numbers shown are with 1-1/4" conduit openings; change "4" to "5" for 1-1/2" e.g. MBL2230D5GLG
 *For Glass 8" Spin-top Flat Lens, change PFN to GFN at end of catalog number





COMPACT SIZE - COMPONENTS



MB MOUNTING BRACKETS				
CATALOG NUMBER				HUB SIZE
PENDANT	CEILING	WALL	STANCHION	
MBA-2	MBX-2	MBB-2	—	3/4"
MBA-3	MBX-3	MBB-3	—	1"
—	MBX-8*	—	—	M20
—	—	—	MBD-4	1-1/4"
—	—	—	MBD-5	1-1/2"

* MBX-8 furnished with 3 non-metallic plugs



**Non-Glass Polycarbonate
8" Flat Lens or Spin-top**



MBL LED OPTICS AND ACCESSORIES		
DESCRIPTION	OPTIC LOGIC	GUARD
Globe (glass)	MBG (GL)	MBAG
Reflector (all glass) Type V	VMR175 (R5)	VMAG17
Reflector (spin top) 8" Type V	VZRG1550 (S8)	VMRWG8
Reflector (spin top) 12" Type V	VZRG2550 (S5)	VMRWGS
8" Spin-top flat lens (glass) ①	VZRGF8 (GF)	VZRF8GRD
8" Spin-top flat lens (polycarbonate) ①	VZRPF8 (PF)	VZRF8GRD
Reflector polycarbonate (spin -top) 12" Type V	VZRP175 (P5)	VMRWGS
Pathway Reflector ①	VZRF8PR	NA
Reflector for MBG Globe - DOME ②	VMPSD-17	NA
Reflector for MBG Globe - ANGLE ②	VMPA-17	NA
120VAC Photocell with FS Style Cover	VMFSPC1	NA
208-277VAC Photocell with FS Style Cover	VMFSPC2	NA
3-sided EXIT Accessory (use without guard)	VEXA100B	NA

① 14-25W only

② Reflectors for use with MBG/MBAG only; VMG17 globe with VMAG17 guard will fit without reflector.

LIGHTING

MBL SERIES

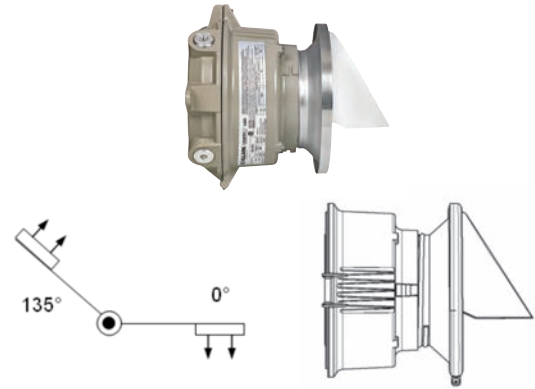


COMPACT SIZE - RATINGS, SPECIAL AIMING ANGLES

LED HOUSINGS WITH DRIVERS AND LEDS - ELECTRICAL RATINGS ^①				
WATTAGE	AMPS 120/277	AMPS 12-24VDC	CIL ^②	WEIGHT ^③
14	0.12/0.05	1.17/0.58	1400	10.0
17	0.14/0.06	1.42/0.71	2550	10.0
20	0.17/0.07	1.67/0.83	2745	10.0
22	0.18/0.08	1.83/0.92	2100	10.0
25	0.21/0.09	2.08/1.04	3828	10.0
40	0.33/0.14	3.33/1.67	5490	15.5
45	0.38/0.16	3.75/1.88	4200	15.5
50	0.42/0.18	4.17/2.08	7656	15.5

- ① Driver THD<20%, Powerfactor 99% @ 120V; Line Regulation 2%; Load regulation 5%; Protected against Over-voltage and Over-current.
- ② CIL = Calculated Initial Lumens of LED component based on mfg. data and driver current INSIDE the optic. This value is provided as a reference only for comparison to traditional light sources such as incandescent, HID, or fluorescent which use initial values in "relative" photometry. KILLARK LED luminaires are tested using the Absolute photometry method (LM79-08), which calculates delivered lumens only. KILLARK's LED luminaires provide very bright white 5000 K (CCT) color and can appear brighter than traditional light sources with higher lumen values under both photopic and scotopic conditions.
- ③ Weights are shown are MBL tank only.
- ④ TM-21 based values require very long duration testing. The TM-21/L70 "official reported" value is at least 10,000 hours testing (at time of printing) at 1000mA to 1500mA drive current, depending on LED chip utilized - "Reported L70" is a factor of test duration. KILLARK's MBL series utilizes lower 350mA or 700mA maximum drive current - "calculated" values by the major chip vendors utilized predict L70 life up to 278,000+ hours even at 1000mA.

Special Aiming Angles Wall Mount MBL with Pathway Reflector



14W-25W MBL Housings with 8" Flat Spin-Top Lens may be aimed from 135° to 0° with or without the VZRF8PF Pathway Reflector. Pathway Reflector must NOT be aimed upwards in a Class II (Dust) environment, or where any contaminant may be collected. Applications include tunnels, lighting dark spots around ceiling piping or pathways near handrails.

THERMAL PERFORMANCE DATA								
WATTAGE ^②	AMBIENT	CID2		C2D1		L70		SUPPLY WIRE
		Optic Only	w/Reflector	Optic Only	w/Reflector	TM-21 ^③	CALCULATED	
14	40°C	T5	T5	T4	T4	60100	270000	75°C
	55°C	T4A	T4A	T4	T4	60100	270000	90°C
17	40°C	T5	T5	T4	T4	72600	278000	75°C
	55°C	T5	T5	T4	T4	72600	278000	90°C
20	40°C	T5	T5	T4	T4	60100	270000	75°C
	55°C	T5	T5	T4	T4	60100	270000	90°C
22	40°C	T4A	T4A	T4	T4	60100	60400	75°C
	55°C	T4	T4	T4	T4	60100	60400	90°C
25	40°C	T5	T5	T4	T4	72600	278000	75°C
	50°C	T5	T5	T4	T4	72600	278000	90°C
40	40°C	T5	T5	T4	T4	60100	270000	75°C
45	40°C	T4A	T4A	T4	T4	60100	60400	90°C
50	40°C	T5	T5	T4	T4	72600	278000	75°C

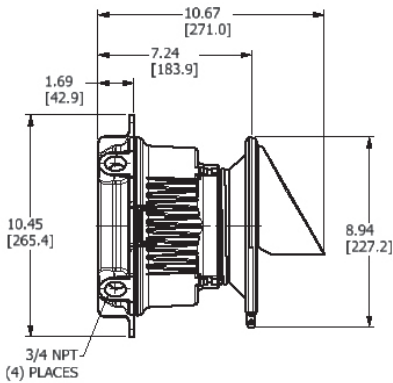
TOTAL LUMEN OUTPUT			
Wattage	MBL + MBG	MBL + VMR	MBL + VZRxF8
14	910*	Pending	980*
17 ^④	1650*	Pending	2040*
20	1785*	Pending	2009*
22	1365*	Pending	1427*
25 ^④	2485*	Pending	3186*
40	3625	3821	-
45	2940	2955	-
50 ^④	5824*	6139	-

④ Extra high lumen per watt LED's
* Values indicated are estimates; LM-79 Absolute Photometry testing is in progress.

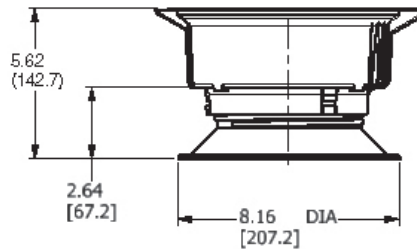




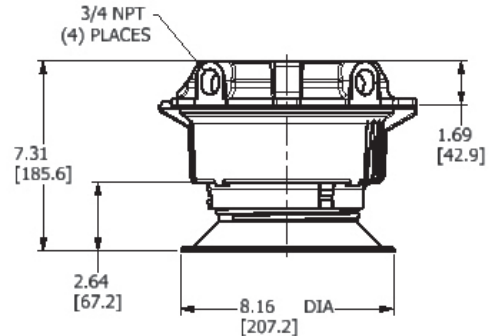
COMPACT SIZE - DIMENSIONS & WEIGHTS



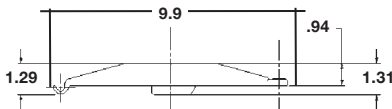
MBL Flat Lens, Pathway Reflector Wall Mount



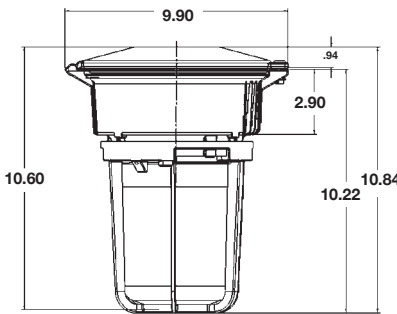
MBL Tank with Flat Lens



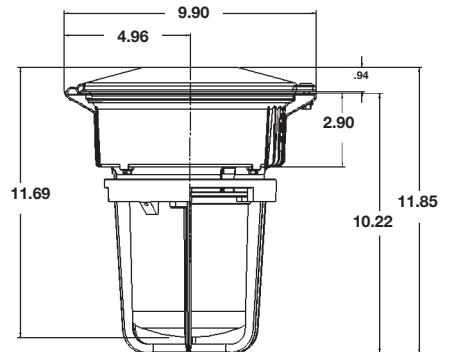
MBL Flat Lens Ceiling Mount



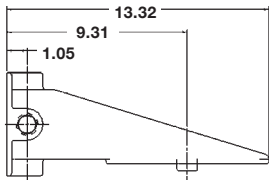
MBA Pendant



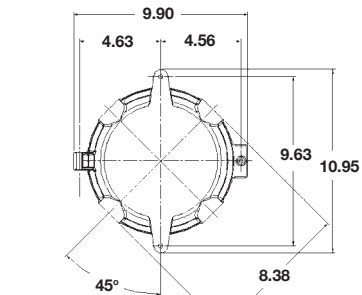
MBL Pendant, Globe, Guard



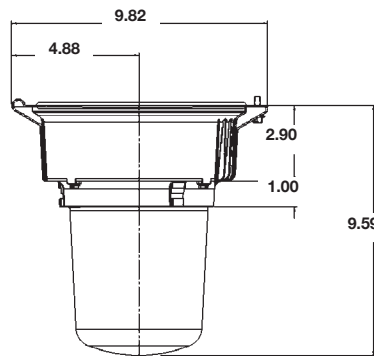
MBL Pendant, Refractor, Guard



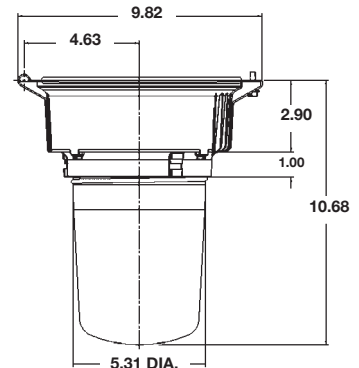
MBB Wall Mount



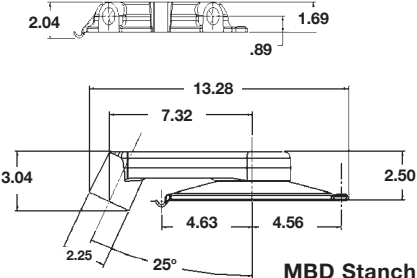
MBX Ceiling



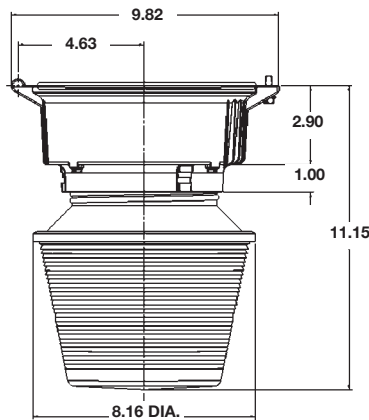
MBL & MBG Globe Only



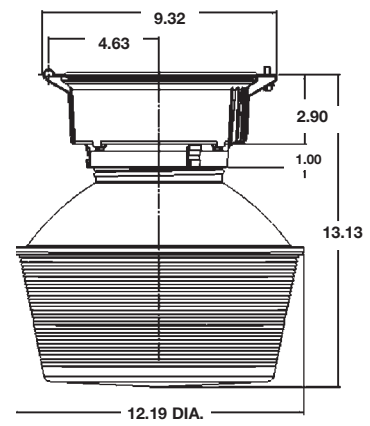
MBL & VMR Refractor



MBD Stanchion



MBL & 8" Type V Spin-top



MBL & 12" Type V Spin-top

Typical Weights (lbs.) w/Standard Globe and Guard - MBL Series				
14-25W	Pendant 14.96	Ceiling 15.96	Wall 19.30	Stanchion 16.83
40-50W	Pendant 20.96	Ceiling 21.69	Wall 25.30	Stanchion 22.83



LIGHTING

VM1L SERIES



REDUCED PROFILE - INTRODUCTION

RETURN to Index



Expanded wattage range RANGE 40, 45, 50W

**Class I, Div. 2, Groups A,B,C,D
Class I, Zone 2, Groups IIC,IIB,IIA
Class II, Div. 1 & 2, Groups E,F,G
Class III
Suitable for wet locations
Marine
NEMA 3, 4X**

Certified - File LR11713

CERTILITE[®]V LED FEATURES-SPECIFICATIONS

Applications

CERTILITE[®]V VM1L LED fixtures are designed for installations where moisture, dirt, dust, corrosion and vibration may be present, or NEMA 3 and 4X areas where wind, water, snow or high ambients can be expected. They can be used in locations made hazardous by the presence of flammable vapors or gases or combustible dusts as defined by the NEC.

Typical applications include manufacturing plants, and certain chemical and petrochemical processing facilities, sewage treatment plants, off-shore and dockside installations, garages and storage facilities.

Compliances

- UL-8750 for LED lighting
- UL Marine type lighting fixtures (HID models) UL-844 Standard for lighting fixtures for hazardous locations, Class I, Division 2; Class II, Divisions 1 and 2; Class III
- CSA C22.2 no. 137-M1981 electric luminaires for use in hazardous locations
- Enclosed and gasketed
- NEMA 3, 4X

Materials

- Ballast tank, splice box and cast guards corrosion resistant copper-free aluminum alloy
- Baked powder epoxy/polyester finish, electrostatically applied for complete, uniform corrosion protection
- All external hardware - stainless steel
- Reflectors - Polyester reinforced fiberglass

LED Luminaire Features and Standards

- Reduced profile with Traditional Industrial Appearance and Suitability
- Wide variety of optics including globes, globes with reflectors, all-glass refractors, and spin-top refractors

- Swing-Barrel Nut patented tank mounting system
- Optional Mounting arrangements including Pendant, Wall, Ceiling, Stanchion and others
- VM1L LED Housings can be retrofitted to existing VM splice boxes; upgrade from HID sources
- Energy Savings - less than 55 Watts of Power
- Long Life - 50,000 - 55,000 maintenance free hours to 70% initial lumens
- Crisp White Light for Excellent Color Rendering - Chromaticity 5000°K (CCT); 70 CRI
- Ambient suitability -40°C to 55°C
- Instant on - including after power interruption
- "World Voltage" 120-277VAC 50/60Hz

- Solder-LESS LED Board Connections – Vibration Resistant
- Dual Drivers - Redundant Systems (built-in backup), or for additional energy savings half of VM1L4530 can be turned off
- LM80-08* Measurement of lumen maintenance for LED light sources
- LM79-08* Certified "Absolute" Photometry, including Chromaticity Color for Solid State Lighting
- L70 Values - Industry Nomenclature for Hours of use to 70% of Initial Lumens

* LM-xx are Illumination Engineering Society Standards designed to promote uniformity in testing procedures among test labs and manufacturers. For more information go to www.ies.org



NEW!
NON-GLASS
FOOD SUITABILITY

**Polycarbonate
12" Spin-top
Refractor
VZRG2550**



Photo controls - Class I Div. 2 / N4X areas

Available as Field or Factory Installed to save energy when light not required.



Earthquake Tab -

Built-in attachment point for safety cables.
Safety: Secures fixture to structure in case of conduit failure.

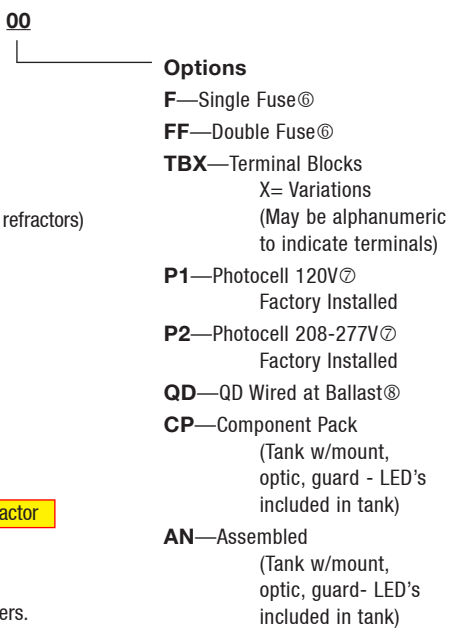
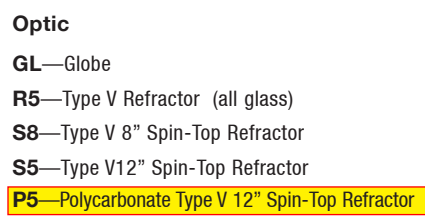
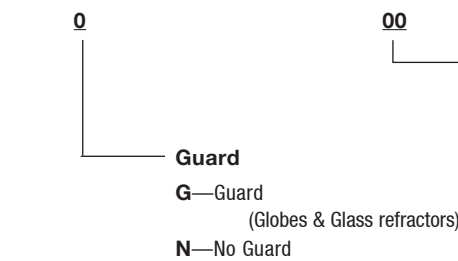
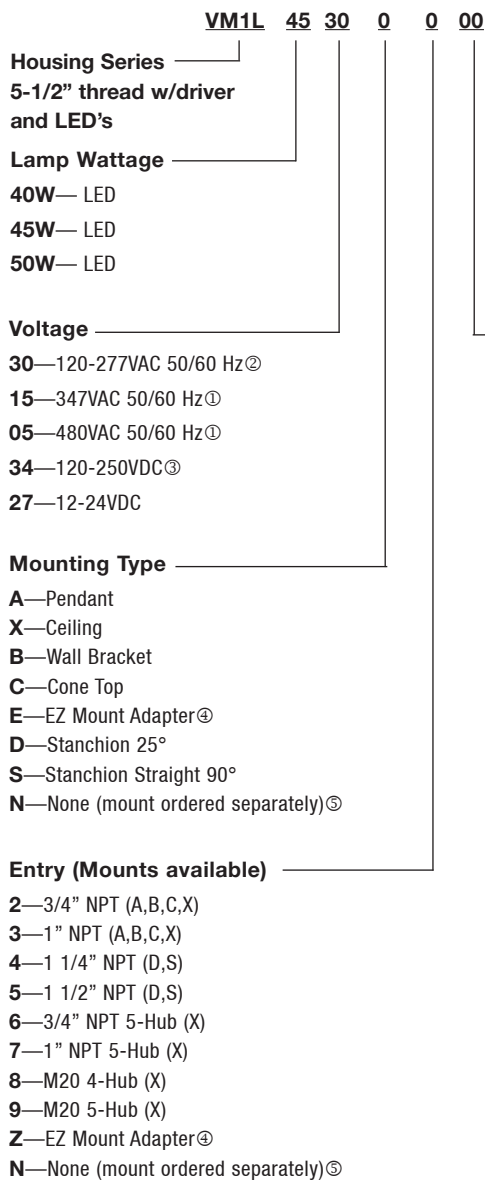




REDUCED PROFILE - CATALOG LOGIC



CertiLite®V LED Catalog Number Logic



- ① Single step-down transformer feeds 2 drivers.
- ② Dual drivers 40, 45, 50W.
- ③ 45W only.
- ④ Completes as "EZ", conduit mounting boxes ordered separately. - See page 18
- ⑤ NN mount ordered separately.
- ⑥ Fusing not for Marine or Canadian installations.
- ⑦ Photo cells for Class I, Div. 2 only.
- ⑧ QD = Quick Disconnect. Allows easy tank removal for maintenance. Electrician simply unplugs tank from mount for fixture relocation or repair due to impact damage.



LIGHTING

VM1L SERIES



REDUCED PROFILE - ORDERING INFORMATION



PENDANT

CEILING

WALL

CONE

ORDERING INFORMATION

VM1L SERIES PENDANT WITH OPTIC AND GUARD ①						
WATTS	HUB SIZE ②	VOLTAGE ③	GLOBE & GUARD	TYPE V GLASS REFRACTOR & GUARD	8" SPIN-TOP TYPE V REFRACTOR & GUARD	12" SPIN-TOP TYPE V REFRACTOR & GUARD
40	3/4"	120-277VAC	VM1L4030A2GLG	VM1L4030A2R5G	VM1L4030A2S8G	VM1L4030A2S5G
45	3/4"	120-277VAC	VM1L4530A2GLG	VM1L4530A2R5G	VM1L4530A2S8G	VM1L4530A2S5G
50	3/4"	120-277VAC	VM1L5030A2GLG	VM1L5030A2R5G	VM1L5030A2S8G	VM1L5030A2S5G

VM1L SERIES CEILING WITH OPTIC AND GUARD ①						
WATTS	HUB SIZE ②	VOLTAGE ③	GLOBE & GUARD	TYPE V GLASS REFRACTOR & GUARD	8" SPIN-TOP TYPE V REFRACTOR & GUARD	12" SPIN-TOP TYPE V REFRACTOR & GUARD
40	3/4"	120-277VAC	VM1L4030X2GLG	VM1L4030X2R5G	VM1L4030X2S8G	VM1L4030X2S5G
45	3/4"	120-277VAC	VM1L4530X2GLG	VM1L4530X2R5G	VM1L4530X2S8G	VM1L4530X2S5G
50	3/4"	120-277VAC	VM1L5030X2GLG	VM1L5030X2R5G	VM1L5030X2S8G	VM1L5030X2S5G

VM1L SERIES WALL WITH OPTIC AND GUARD ①						
WATTS	HUB SIZE ②	VOLTAGE ③	GLOBE & GUARD	TYPE V GLASS REFRACTOR & GUARD	8" SPIN-TOP TYPE V REFRACTOR & GUARD	12" SPIN-TOP TYPE V REFRACTOR & GUARD
40	3/4"	120-277VAC	VM1L4030B2GLG	VM1L4030B2R5G	VM1L4030B2S8G	VM1L4030B2S5G
45	3/4"	120-277VAC	VM1L4530B2GLG	VM1L4530B2R5G	VM1L4530B2S8G	VM1L4530B2S5G
50	3/4"	120-277VAC	VM1L5030B2GLG	VM1L5030B2R5G	VM1L5030B2S8G	VM1L5030B2S5G

VM1L SERIES CONE WITH OPTIC AND GUARD ①						
WATTS	HUB SIZE ②	VOLTAGE ③	GLOBE & GUARD	TYPE V GLASS REFRACTOR & GUARD	8" SPIN-TOP TYPE V REFRACTOR & GUARD	12" SPIN-TOP TYPE V REFRACTOR & GUARD
40	3/4"	120-277VAC	VM1L4030C2GLG	VM1L4030C2R5G	VM1L4030C2S8G	VM1L4030C2S5G
45	3/4"	120-277VAC	VM1L4530C2GLG	VM1L4530C2R5G	VM1L4530C2S8G	VM1L4530C2S5G
50	3/4"	120-277VAC	VM1L5030C2GLG	VM1L5030C2R5G	VM1L5030C2S8G	VM1L5030C2S5G

① Catalog numbers shown are with Guard; to omit guard change ending G to N; e.g. VM1L4530A2GLN

② Catalog numbers shown are with 3/4" conduit openings; change "2" to "3" for "1" e.g. VM1L4530A3GLG

③ 120VAC through 277VAC 50/60Hz



REDUCED PROFILE - ORDERING INFORMATION



STANCHION 25°



STANCHION STRAIGHT



EZ ADAPTER

ORDERING INFORMATION

VM1L SERIES 25° STANCHION WITH OPTIC AND GUARD ①						
WATTS	HUB SIZE②	VOLTAGE③	GLOBE & GUARD	TYPE V GLASS REFRACTOR & GUARD	8" SPIN-TOP TYPE V REFRACTOR & GUARD	12" SPIN-TOP TYPE V REFRACTOR & GUARD
40	1-1/2"	120-277VAC	VM1L4030D5GLG	VM1L4030D5R5G	VM1L4030D5S8G	VM1L4030D5S5G
45	1-1/2"	120-277VAC	VM1L4530D5GLG	VM1L4530D5R5G	VM1L4530D5S8G	VM1L4530D5S5G
50	1-1/2"	120-277VAC	VM1L5030D5GLG	VM1L5030D5R5G	VM1L5030D5S8G	VM1L5030D5S5G

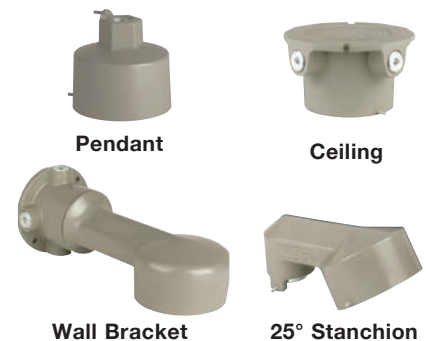
VM1L SERIES STRAIGHT STANCHION WITH OPTIC AND GUARD ①						
WATTS	HUB SIZE②	VOLTAGE③	GLOBE & GUARD	TYPE V GLASS REFRACTOR & GUARD	8" SPIN-TOP TYPE V REFRACTOR & GUARD	12" SPIN-TOP TYPE V REFRACTOR & GUARD
40	1-1/2"	120-277VAC	VM1L4030S5GLG	VM1L4030S5R5G	VM1L4030S5S8G	VM1L4030S5S5G
45	1-1/2"	120-277VAC	VM1L4530S5GLG	VM1L4530S5R5G	VM1L4530S5S8G	VM1L4530S5S5G
50	1-1/2"	120-277VAC	VM1L5030S5GLG	VM1L5030S5R5G	VM1L5030S5S8G	VM1L5030S5S5G

VM1L SERIES EZ ADAPTER WITH OPTIC AND GUARD ①						
WATTS	HUB SIZE④	VOLTAGE③	GLOBE & GUARD	TYPE V GLASS REFRACTOR & GUARD	8" SPIN-TOP TYPE V REFRACTOR & GUARD	12" SPIN-TOP TYPE V REFRACTOR & GUARD
40	NA	120-277VAC	VM1L4030EZGLG	VM1L4030EZR5G	VM1L4030EZS8G	VM1L4030EZS5G
45	NA	120-277VAC	VM1L4530EZGLG	VM1L4530EZR5G	VM1L4530EZS8G	VM1L4530EZS5G
50	NA	120-277VAC	VM1L5030EZGLG	VM1L5030EZR5G	VM1L5030EZS8G	VM1L5030EZS5G

- ① Catalog numbers shown are with Guard; to omit guard change ending G to N; e.g. VM1L4530D5GLN
- ② Catalog numbers shown are with 1-1/2" conduit openings; change "5" to "4" for 1-1/4" e.g. VM1L4530D4GLG
- ③ 120VAC through 277VAC 50/60Hz
- ④ VMEZA tank adapters UL "classified" as an assembly for use between VM tanks and EZ mounts.
Order EZ mounts separately (see below).

MOUNTING BOXES FOR EZ ADAPTER				
CATALOG NUMBER				HUB SIZE
PENDANT	CEILING	BRACKET	STANCHION	
EZA2	EZX2	EZB2	—	3/4"
EZA3	EZX3	EZB3	—	1"
—	—	—	EZD4A*	1-1/4"/1-1/2"*

*1-1/2" furnished with 1-1/2"-1-1/4" reducer and extension.



Wall Bracket

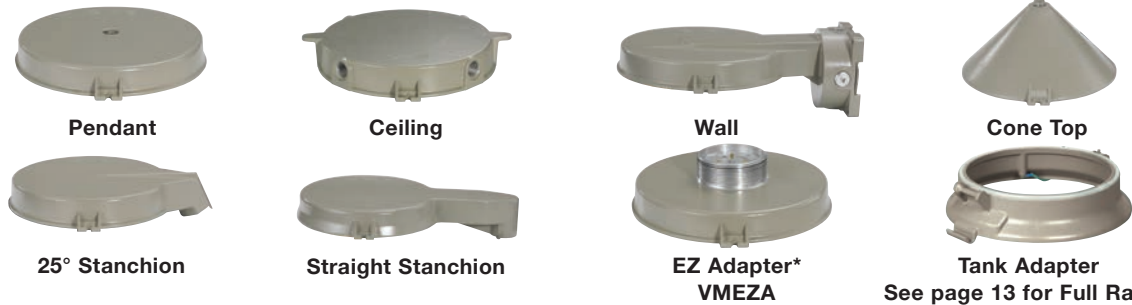
25° Stanchion

LIGHTING

VM1L SERIES



REDUCED PROFILE - COMPONENTS



See page 13 for Full Range

CERTILITE® VM MOUNTING SPLICE BOXES							
HUB SIZE	CATALOG NUMBER						
	PENDANT	CEILING 4 HUB	CEILING 5 HUB	WALL	CONE TOP	25 DEGREE STANCHION	90 DEGREE STANCHION
3/4"	VMA2B	VMX2B	VMX6B	VMB2B	VMC2B	—	—
1"	VMA3B	VMX3B	VMX7B	VMB3B	VMC3B	—	—
1-1/4"	—	—	—	—	—	VMD4B	VMS4B
1-1/2"	—	—	—	—	—	VMD5B	VMS5B
M-20	—	VMX8B**	VMX9B	—	—	—	—

*VMEZA is used between a ballast tank and an EZ mount-ordered separately. See page 18 for more information.

**VMX8B furnished with 3 non-metallic plugs.

VM1L LED OPTICS AND ACCESSORIES		
DESCRIPTION	OPTIC LOGIC	GUARD
Globe (glass)	VMG17 (GL)	VMAG17
Reflector (all glass) Type V	VMR175 (R5)	VMAG17
Reflector (spin top) 8" Type V	VZRG1550 (S8)	VMRWG8
Reflector (spin top) 12" Type V	VZRG2550 (S5)	VMRWGS
Reflector polycarbonate (spin-top) 12" Type V	VZRP175 (P5)	VMRWGS
DOME REFLECTOR (Polyester reinforced fiberglass)	VMPSD40	NA
ANGLE REFLECTOR (Polyester reinforced fiberglass)	VMPPA40	NA
120VAC Photocell with FS Style Cover	VMFSPC1	NA
208-277VAC Photocell with FS Style Cover	VMFSPC2	NA
3-sided EXIT Accessory (use without guard)	VEXA100B	NA
Tank adapter to Crouse-Hinds® VM Series mounts*	VMCHVM	NA

OPTICS



VM1L LED HOUSINGS WITH DRIVERS AND LEDS - ELECTRICAL RATINGS ①						TOTAL LUMENS	
CAT. NO.	VOLTAGE 50/60HZ	WATTAGE	AMPS 120/277	CIL ②	WEIGHT	VMG17	VMR175
VM1L4030	120-277VAC	40	.361/.16	5490	15.5 LBS	3812	4019
VM1L4530	120-277VAC	48.4	.416/.180	3960	15.5 LBS	2858	2955
VM1L5030	120-277VAC	50	.43/.18	7656	15.5 LBS	6162	6427

ACCESSORIES



THERMAL PERFORMANCE (ANY OPTIC)				L70		
CAT. NO.	AMBIENT	C1D2	C2D1	TM-21 ④	CALCULATED	SUPPLY WIRE
VM1L4030	40°C	T6	T4(EFG)	60100	270000	75°C
VM1L4030	55°C	T5	T4(EFG)	60100	270000	90°C
VM1L4530	40°C	T4A	T4(EFG)	60100	60400	75°C
VM1L4530	55°C	T4	T4(EFG)	60100	60400	90°C
VM1L5030	40°C	T5	T4(EFG)	72600	278000	75°C
VM1L5030	55°C	T4A	T4(EFG)	72600	278000	90°C

① Driver THD < 20%, Powerfactor 99% @ 120V; Line Regulation 2%; Load regulation 5%; Protected against Over-voltage and Over-current.

② CIL = Calculated Initial Lumens of LED component based on mfg. data and driver current INSIDE the optic. This value is provided as a reference only for comparison to traditional light sources such as incandescent, HID, or fluorescent which use initial values in "relative" photometry. KILLARK LED luminaires are tested using the Absolute photometry method (LM79-08), which calculates delivered lumens only. KILLARK's LED luminaires provide very bright white 5000° K (CCT) color and can appear brighter than traditional light sources with higher lumen values under both photopic and scotopic conditions.

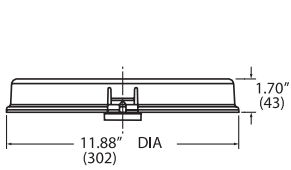
③ VMRWG8 Plated Steel, VMRWGS 316 Stainless Steel.

④ TM-21 based values require very long duration testing. The TM-21/L70 "official reported" value is based on at least 10,000 hours testing (at time of printing) at 1000mA to 1500mA drive current, depending on LED chip utilized. "reported L70" is a factor of test duration. KILLARK's MBL series utilizes lower 350mA or 700mA maximum drive current - "calculated" values by the major chip vendors utilized predict L70 life up to 278,000+ hours even at 1000mA.

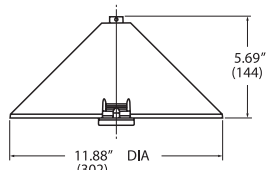




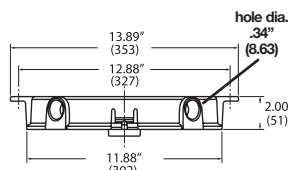
REDUCED PROFILE - DIMENSIONS & WEIGHTS



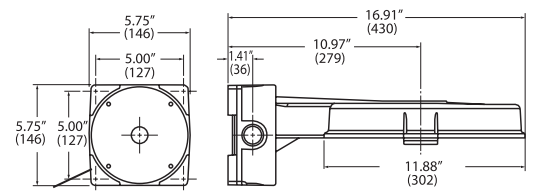
Pendant Mount



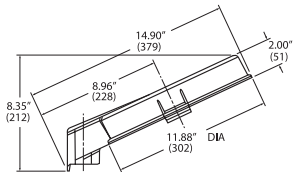
Cone Mount



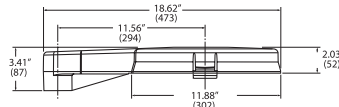
Ceiling Mount



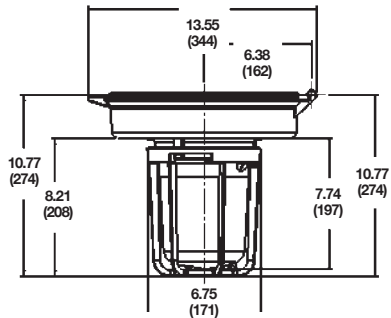
Wall Bracket Mount



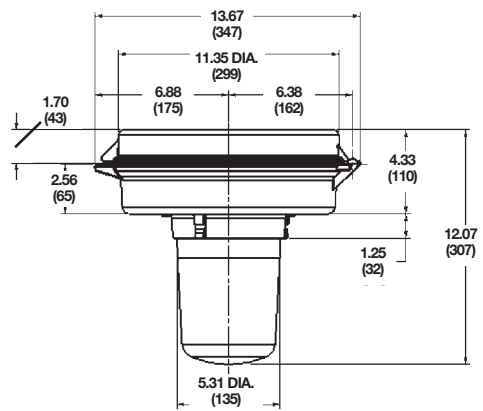
Stanchion (25°) Mount



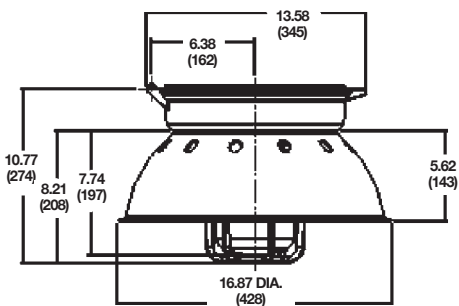
Stanchion (0°) Mount



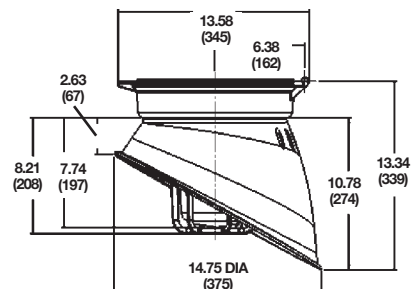
VM1L Tank Globe & Guard



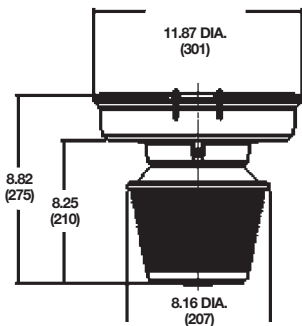
VM1L Tank w/ Pendant Mount & Globe



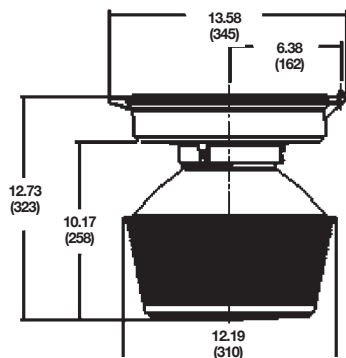
VM1L Tank with Dome Refractor



VM1L Tank with Angle Refractor



VM1L Tank with 8" Spin-top Refractor



VM1L Tank with 12" Spin-top Refractor

Typical Weights (lbs.) w/Standard Globe and Guard - VM1L Series

Pendant 23.00	Ceiling 24.10	Wall 27.50	Stanchion 23.90
---------------	---------------	------------	-----------------



LIGHTING

VM2&4LB, VM2&4LC SERIES



Expanded wattage range and shallower depth VM2LB models

HIGH WATTAGE - INTRODUCTION

RETURN to Index



VM2LB with Globe/Guard



VM4LB with Globe/Guard



VM4LC with Flat Lens

Class I, Div. 2, Groups A,B,C,D
Class I, Zone 2, Groups IIC, IIB, IIA
Class II, Div. 1 & 2, Groups E,F,G
Class III
Suitable for wet locations
NEMA 3, 4X
IP66
Marine

Certified - File LR11713

Contact Factory for other certification details

CERTALITE V LED

FEATURES-SPECIFICATIONS

Applications

CERTALITE® V VM4L LED fixtures are designed for installations where moisture, dirt, dust, corrosion and vibration may be present, or NEMA 3 and 4X areas where wind, water, snow or high ambients can be expected. They can be used in locations made hazardous by the presence of flammable vapors or gases or combustible dusts as defined by the NEC/CEC.

Typical applications include manufacturing plants, food processing, and certain chemical and petrochemical processing facilities, sewage treatment plants, off-shore and dockside installations, garages and storage facilities.

Compliances

- UL-8750 for LED lighting
- UL-844 Standard for lighting fixtures for hazardous locations, Class I, Division 2; Class II, Divisions 1 and 2; Class III
- CSA C22.2 no. 137-M1981 electric luminaires for use in hazardous locations
- Enclosed and gasketed
- NEMA 3, 4X
- IP66 & Marine

Materials

- Ballast tank, splice box and cast guards corrosion resistant copper-free aluminum alloy
- Baked powder epoxy/polyester finish, electrostatically applied for complete, uniform corrosion protection
- All external hardware - stainless steel
- Reflectors - Polyester reinforced fiber glass or aluminum

LED Luminaire Features and Standards

- Traditional Industrial Appearance, Suitability, and Photometric Performance
- Wide variety of optics including globes, globes with reflectors, all-glass refractors, spin-top refractors and flat lens
- Swing-Barrel Nut patented tank mounting system
- Optional Mounting arrangements including Pendant, Wall, Ceiling, Stanchion and others
- VM4L LED Housings can be retrofitted to existing VM splice boxes; upgrade from HID sources
- VM2Lx housing is 1.56" shallower for low ceilings
- Crisp White Light for Excellent Color Rendering - Chromaticity 5000 K (CTT range); approx. 70 CRI
- Energy Savings - less than 130 Watts of Power

- Long Life - 50,000 - 55,000 maintenance free hours to 70% initial lumens
- Ambient suitability -40°C to 55°C
- Instant On - Including after power interruption
- World Voltage 120 - 277VAC 50/60Hz
- Solder-LESS LED Board Connections - Vibration Resistant
- Dual Drivers - Redundant Systems (built-in backup) for most models, or for additional energy savings half of fixture can be turned off
- LM80-08* Measurement of lumen maintenance for LED light sources (including TM-21)
- LM79-08* Certified "Absolute" Photometry, including Chromaticity Color for Solid State Lighting
- L70 Values - Industry Nomenclature for Hours of use to 70% of Initial Lumens
- Two LED internal heat sink styles - Bulb VM2LB/VM4LB - Concave VM2LC/VM4LC

* LM-xx + TM-21 are Illumination Engineering Society standards designed to promote uniformity in testing procedures among test labs and manufacturers. For more information go to www.ies.org

Swing-Barrel Nut (Patented)

- 1 Hang Fixture
- 2 Swing into Place
- 3 Tighten



LED INTERNAL Heat Sinks

Bulb style (VM4LB)
 Maximum lumens but has more glare at line-of-sight.

Concave style (VM4LC)
 for a compact profile.
 Recessed concave LED array produces less glare.



Consult website for current list of approved luminaires



Non-Glass Polycarbonate 12" Flat Lens



Patented Design





HIGH WATTAGE - CATALOG LOGIC

CERTILITE[®]V
The Logical Choice

**Certilite[®]V LED
 Catalog Number Logic**

VM2L or VM4L B 130 30 0 0 00

Housing Series —
 7-3/4" thread w/driver
 and LED's

B—Bulb heat sink
C—Concave heat sink

Lamp Wattage
 Approx. VA (wattage) of driver & LED's

- 040W LED VM2, VM4
- 050W LED VM2, VM4
- 055W LED VM2, VM4
- 065W LED VM2, VM4
- 070W LED VM4
- 080W LED VM4
- 090W LED VM4
- 100W LED VM4
- 105W LED
- 130W LED

Voltage
 30—120-277VAC 50/60 Hz^①
 33—347-480VAC 50/60Hz^②
 34—120-250VDC (to 105W)^②

Mounting Type
A—Pendant
X—Ceiling
B—Wall Bracket
C—Cone Top
E—EZ Mount Adapter^③
D—Stanchion 25°
S—Stanchion Straight 90°
N—None (mount ordered separately)^④

Entry (Mounts available)
2—3/4" NPT (A,B,C,X)
3—1" NPT (A,B,C,X)
4—1 1/4" NPT (D,S)
5—1 1/2" NPT (D,S)
6—3/4" NPT 5-Hub (X)
7—1" NPT 5-Hub (X)
8—M20 4-Hub (X)
9—M25 5-Hub (X)
Z—EZ Mount Adapter^③
N—None (mount ordered separately)^④



Recommended energy saving replacement for VM4L12030 is VM4LC07030 (lumen equivalent)



Higher efficiency LED's require NO external heat sink

0

Guard
G—Guard
 (Globes & Glass refractors)
N—No Guard

Optic

- GL**—Globe
- R5**—Type V Refractor (all glass)
- ER**—Enclosed Refractor
- EP**—Polycarbonate Shielded Enclosed Reflector*
- P5**—12" Type V Polycarbonate Spin-Top*
- S2**—Type II 12" Spin-Top Refractor
- S5**—Type V 12" Spin-Top Refractor
- PF**—Spin-Top with flat poly lens
 (VM2LC and VM4LC only)
- GF**—Spin-Top with flat glass lens
 (VM2LC and VM4LC only)

- ① 40W, 50W, 55W, 65W, 70W single driver; 80W -130W dual drivers
- ② 105W max.
- ③ Completes as "EZ", conduit mounting boxes ordered separately - See catalog grids.
- ④ Completes as NN-Mount ordered separately.
- ⑤ Fusing not for Marine or Canadian installations.
- ⑥ Photo cells for Class I, Div. 2 only.
- ⑦ QD = Quick Disconnect. Allows easy tank removal for maintenance. Electrician simply unplugs tank from mount for fixture relocation or repair due to impact damage.
- ⑧ Accessories - Shown for ordering convenience (shipped separately)

S	VMPSD40	Fiberglass White Reflector
A	VMPA40	Fiberglass ANGLE White Reflector
D	HRD400	Deep White Reflector
Z	HRD400ALZ	Deep Alzak Reflector

00

Options/Accessories

- F**—Single Fuse^⑤
- FF**—Double Fuse^⑤
- TBx**—Terminal Blocks
 x= Variations
 (May be alphanumeric to indicate terminals)
- P1**—Photocell 120V^⑥
 Factory Installed
- P2**—Photocell 208-277V^⑥
 Factory Installed
- P3**—Photocell 347V^⑥
 Factory Installed
- QD**—QD Wired at Ballast^⑦
- CP**—Component Pack
 (Tank w/mount, optic, guard- LED's included in tank)
- AN**—Assembled
 (Tank w/mount, optic, guard- LED's included in tank)
- Accessories**—See ^⑧ below

***Non-glass Group G Food Processing Suitability**



LIGHTING

VM2&4LB, VM2&4LC SERIES



HIGH WATTAGE - ORDERING INFORMATION



Globe & Guard or Glass Refractor & Guard



Enclosed Reflector



Spin-Top Poly or Glass Flat Lens VM4LC only



Poly Food Optic



Spin-Top Poly or Glass Refractor

VM4LB SERIES CEILING WITH OPTIC AND GUARD ①								
WATTS	HUB SIZE ②	VOLTAGE ③	GLOBE & GUARD	TYPE V GLASS REFRACTOR & GUARD	12" SPIN-TOP TYPE V GLASS REFRACTOR & GUARD	12" SPIN-TOP TYPE V POLYCARBONATE REFRACTOR & GUARD	ENCLOSED REFLECTOR	POLYCARBONATE FOOD OPTIC
40Ⓞ	3/4"	120-277VAC	VM4LB04030A2GLG	VM4LB04030A2R5G	VM4LB04030A2S5G	VM4LB04030A2P5G	VM4LB04030A2ERN	VM4LB04030A2EPN
50Ⓞ	3/4"	120-277VAC	VM4LB05030A2GLG	VM4LB05030A2R5G	VM4LB05030A2S5G	VM4LB05030A2P5G	VM4LB05030A2ERN	VM4LB05030A2EPN
55Ⓞ	3/4"	120-277VAC	VM4LB05530A2GLG	VM4LB05530A2R5G	VM4LB05530A2S5G	VM4LB05530A2P5G	VM4LB05530A2ERN	VM4LB05530A2EPN
65Ⓞ	3/4"	120-277VAC	VM4LB06530A2GLG	VM4LB06530A2R5G	VM4LB06530A2S5G	VM4LB06530A2P5G	VM4LB06530A2ERN	VM4LB06530A2EPN
70	3/4"	120-277VAC	VM4LB07030A2GLG	VM4LB07030A2R5G	VM4LB07030A2S5G	VM4LB07030A2P5G	VM4LB07030A2ERN	VM4LB07030A2EPN
80	3/4"	120-277VAC	VM4LB08030A2GLG	VM4LB08030A2R5G	VM4LB08030A2S5G	VM4LB08030A2P5G	VM4LB08030A2ERN	VM4LB08030A2EPN
90	3/4"	120-277VAC	VM4LB09030A2GLG	VM4LB09030A2R5G	VM4LB09030A2S5G	VM4LB09030A2P5G	VM4LB09030A2ERN	VM4LB09030A2EPN
100	3/4"	120-277VAC	VM4LB10030A2GLG	VM4LB10030A2R5G	VM4LB10030A2S5G	VM4LB10030A2P5G	VM4LB10030A2ERN	VM4LB10030A2EPN
105	3/4"	120-277VAC	VM4LB10530A2GLG	VM4LB10530A2R5G	VM4LB10530A2S5G	VM4LB10530A2P5G	VM4LB10530A2ERN	VM4LB10530A2EPN
130	3/4"	120-277VAC	VM4LB13030A2GLG	VM4LB13030A2R5G	VM4LB13030A2S5G	VM4LB13030A2P5G	VM4LB13030A2ERN	VM4LB13030A2EPN

VM4LC SERIES PENDANT WITH OPTIC AND GUARD ①								
WATTS	HUB SIZE ②	VOLTAGE ③	GLOBE & GUARD	12" SPIN-TOP POLYCARBONATE FLAT LENS* ④	TYPE V GLASS REFRACTOR & GUARD	12" SPIN-TOP TYPE V GLASS REFRACTOR & GUARD	12" SPIN-TOP TYPE V POLYCARBONATE REFRACTOR & GUARD	POLYCARBONATE FOOD OPTIC
40Ⓞ	3/4"	120-277VAC	VM4LC04030A2GLG	VM4LC04030A2PFN	VM4LC04030A2R5G	VM4LC04030A2S5G	VM4LC04030A2P5G	VM4LC04030A2EPN
50Ⓞ	3/4"	120-277VAC	VM4LC05030A2GLG	VM4LC05030A2PFN	VM4LC05030A2R5G	VM4LC05030A2S5G	VM4LC05030A2P5G	VM4LC05030A2EPN
55Ⓞ	3/4"	120-277VAC	VM4LC05530A2GLG	VM4LC05530A2PFN	VM4LC05530A2R5G	VM4LC05530A2S5G	VM4LC05530A2P5G	VM4LC05530A2EPN
65Ⓞ	3/4"	120-277VAC	VM4LC06530A2GLG	VM4LC06530A2PFN	VM4LC06530A2R5G	VM4LC06530A2S5G	VM4LC06530A2P5G	VM4LC06530A2EPN
70	3/4"	120-277VAC	VM4LC07030A2GLG	VM4LC07030A2PFN	VM4LC07030A2R5G	VM4LC07030A2S5G	VM4LC07030A2P5G	VM4LC07030A2EPN
80	3/4"	120-277VAC	VM4LC08030A2GLG	VM4LC08030A2PFN	VM4LC08030A2R5G	VM4LC08030A2S5G	VM4LC08030A2P5G	VM4LC08030A2EPN
90	3/4"	120-277VAC	VM4LC09030A2GLG	VM4LC09030A2PFN	VM4LC09030A2R5G	VM4LC09030A2S5G	VM4LC09030A2P5G	VM4LC09030A2EPN
100	3/4"	120-277VAC	VM4LC10030A2GLG	VM4LC10030A2PFN	VM4LC10030A2R5G	VM4LC10030A2S5G	VM4LC10030A2P5G	VM4LC10030A2EPN
105	3/4"	120-277VAC	VM4LC10530A2GLG	VM4LC10530A2PFN	VM4LC10530A2R5G	VM4LC10530A2S5G	VM4LC10530A2P5G	VM4LC10530A2EPN
130	3/4"	120-277VAC	VM4LC13030A2GLG	VM4LC13030A2PFN	VM4LC13030A2R5G	VM4LC13030A2S5G	VM4LC13030A2P5G	VM4LC13030A2EPN

① Catalog numbers shown are with Guard (except ER/EP/PF); to omit guard change ending G to N; e.g. VM4LB05530X2GLN.

② Catalog numbers shown are with 3/4" conduit openings; change "2" to "3" for 1"; e.g. VM4LB05530X3GLG.

③ 120VAC through 277VAC 50/60Hz. See logic for other voltages.

④ 40, 50, 55 and 65W are available in VM2LB/VM2LC shallower housings. Substitute VM2L for VM4L in catalog number.

* For Glass 12" Spin-Top Flat Lens change PFN to GFN at end of catalog number.





HIGH WATTAGE - ORDERING INFORMATION



Globe & Guard or Glass Refractor & Guard



Enclosed Reflector



Spin-Top Poly or Glass Flat Lens



Poly Food Optic



Spin-Top Poly or Glass Refractor

VM4LB SERIES CEILING WITH OPTIC AND GUARD ①

WATTS	HUB SIZE ②	VOLTAGE ③	GLOBE & GUARD	TYPE V GLASS REFRACTOR & GUARD	12" SPIN-TOP TYPE V GLASS REFRACTOR & GUARD	12" SPIN-TOP TYPE V POLYCARBONATE REFRACTOR & GUARD	ENCLOSED REFLECTOR	POLYCARBONATE FOOD OPTIC
40Ⓞ	3/4"	120-277VAC	VM4LB04030X2GLG	VM4LB04030X2R5G	VM4LB04030X2S5G	VM4LB04030X2P5G	VM4LB04030X2ERN	VM4LB04030X2EPN
50Ⓞ	3/4"	120-277VAC	VM4LB05030X2GLG	VM4LB05030X2R5G	VM4LB05030X2S5G	VM4LB05030X2P5G	VM4LB05030X2ERN	VM4LB05030X2EPN
55Ⓞ	3/4"	120-277VAC	VM4LB05530X2GLG	VM4LB05530X2R5G	VM4LB05530X2S5G	VM4LB05530X2P5G	VM4LB05530X2ERN	VM4LB05530X2EPN
65Ⓞ	3/4"	120-277VAC	VM4LB06530X2GLG	VM4LB06530X2R5G	VM4LB06530X2S5G	VM4LB06530X2P5G	VM4LB06530X2ERN	VM4LB06530X2EPN
70	3/4"	120-277VAC	VM4LB07030X2GLG	VM4LB07030X2R5G	VM4LB07030X2S5G	VM4LB07030X2P5G	VM4LB07030X2ERN	VM4LB07030X2EPN
80	3/4"	120-277VAC	VM4LB08030X2GLG	VM4LB08030X2R5G	VM4LB08030X2S5G	VM4LB08030X2P5G	VM4LB08030X2ERN	VM4LB08030X2EPN
90	3/4"	120-277VAC	VM4LB09030X2GLG	VM4LB09030X2R5G	VM4LB09030X2S5G	VM4LB09030X2P5G	VM4LB09030X2ERN	VM4LB09030X2EPN
100	3/4"	120-277VAC	VM4LB10030X2GLG	VM4LB10030X2R5G	VM4LB10030X2S5G	VM4LB10030X2P5G	VM4LB10030X2ERN	VM4LB10030X2EPN
105	3/4"	120-277VAC	VM4LB10530X2GLG	VM4LB10530X2R5G	VM4LB10530X2S5G	VM4LB10530X2P5G	VM4LB10530X2ERN	VM4LB10530X2EPN
130	3/4"	120-277VAC	VM4LB13030X2GLG	VM4LB13030X2R5G	VM4LB13030X2S5G	VM4LB13030X2P5G	VM4LB13030X2ERN	VM4LB13030X2EPN

VM4LC SERIES CEILING WITH OPTIC AND GUARD ①

WATTS	HUB SIZE ②	VOLTAGE ③	GLOBE & GUARD	12" SPIN-TOP POLYCARBONATE FLAT LENS* ④	TYPE V GLASS REFRACTOR & GUARD	12" SPIN-TOP TYPE V GLASS REFRACTOR & GUARD	12" SPIN-TOP TYPE V POLYCARBONATE REFRACTOR & GUARD	POLYCARBONATE FOOD OPTIC
40Ⓞ	3/4"	120-277VAC	VM4LC04030X2GLG	VM4LC04030X2PFN	VM4LC04030X2R5G	VM4LC04030X2S5G	VM4LC04030X2P5G	VM4LC04030X2EPN
50Ⓞ	3/4"	120-277VAC	VM4LC05030X2GLG	VM4LC05030X2PFN	VM4LC05030X2R5G	VM4LC05030X2S5G	VM4LC05030X2P5G	VM4LC05030X2EPN
55Ⓞ	3/4"	120-277VAC	VM4LC05530X2GLG	VM4LC05530X2PFN	VM4LC05530X2R5G	VM4LC05530X2S5G	VM4LC05530X2P5G	VM4LC05530X2EPN
65Ⓞ	3/4"	120-277VAC	VM4LC06530X2GLG	VM4LC06530X2PFN	VM4LC06530X2R5G	VM4LC06530X2S5G	VM4LC06530X2P5G	VM4LC06530X2EPN
70	3/4"	120-277VAC	VM4LC07030X2GLG	VM4LC07030X2PFN	VM4LC07030X2R5G	VM4LC07030X2S5G	VM4LC07030X2P5G	VM4LC07030X2EPN
80	3/4"	120-277VAC	VM4LC08030X2GLG	VM4LC08030X2PFN	VM4LC08030X2R5G	VM4LC08030X2S5G	VM4LC08030X2P5G	VM4LC08030X2EPN
90	3/4"	120-277VAC	VM4LC09030X2GLG	VM4LC09030X2PFN	VM4LC09030X2R5G	VM4LC09030X2S5G	VM4LC09030X2P5G	VM4LC09030X2EPN
100	3/4"	120-277VAC	VM4LC10030X2GLG	VM4LC10030X2PFN	VM4LC10030X2R5G	VM4LC10030X2S5G	VM4LC10030X2P5G	VM4LC10030X2EPN
105	3/4"	120-277VAC	VM4LC10530X2GLG	VM4LC10530X2PFN	VM4LC10530X2R5G	VM4LC10530X2S5G	VM4LC10530X2P5G	VM4LC10530X2EPN
130	3/4"	120-277VAC	VM4LC13030X2GLG	VM4LC13030X2PFN	VM4LC13030X2R5G	VM4LC13030X2S5G	VM4LC13030X2P5G	VM4LC13030X2EPN

① Catalog numbers shown are with Guard (except ER/EP/PF); to omit guard change ending G to N; e.g. VM4LB05530X2GLN.

② Catalog numbers shown are with 3/4" conduit openings; change "2" to "3" for 1"; e.g. VM4LB05530X3GLG.

③ 120VAC through 277VAC 50/60Hz. See logic for other voltages.

④ 40, 50, 55 and 65W are available in VM2LB/VM2LC shallower housings. Substitute VM2L for VM4L in catalog number.

* For Glass 12" Spin-Top Flat Lens change PFN to GFN at end of catalog number.



LIGHTING

VM2&4LB, VM2&4LC SERIES



HIGH WATTAGE - ORDERING INFORMATION



Globe & Guard or Glass Refractor & Guard



Enclosed Reflector



Spin-Top Poly or Glass Flat Lens VM4LC only



Globe, Guard and Angle Reflector



Spin-Top Poly or Glass Refractor

VM4LB SERIES WALL WITH OPTIC AND GUARD ①								
WATTS	HUB SIZE ②	VOLTAGE ③	GLOBE & GUARD	TYPE V GLASS REFRACTOR & GUARD	12" SPIN-TOP TYPE V GLASS REFRACTOR & GUARD	12" SPIN-TOP TYPE V POLYCARBONATE REFRACTOR & GUARD	ENCLOSED REFLECTOR	GLOBE, GUARD & ANGLE REFLECTOR ④
40	3/4"	120-277VAC	VM4LB04030B2GLG	VM4LB04030B2R5G	VM4LB04030B2S5G	VM4LB04030B2P5G	VM4LB04030B2ERN	VM4LB04030B2GLG-A
50	3/4"	120-277VAC	VM4LB05030B2GLG	VM4LB05030B2R5G	VM4LB05030B2S5G	VM4LB05030B2P5G	VM4LB05030B2ERN	VM4LB05030B2GLG-A
55	3/4"	120-277VAC	VM4LB05530B2GLG	VM4LB05530B2R5G	VM4LB05530B2S5G	VM4LB05530B2P5G	VM4LB05530B2ERN	VM4LB05530B2GLG-A
65	3/4"	120-277VAC	VM4LB06530B2GLG	VM4LB06530B2R5G	VM4LB06530B2S5G	VM4LB06530B2P5G	VM4LB06530B2ERN	VM4LB06530B2GLG-A
70	3/4"	120-277VAC	VM4LB07030B2GLG	VM4LB07030B2R5G	VM4LB07030B2S5G	VM4LB07030B2P5G	VM4LB07030B2ERN	VM4LB07030B2GLG-A
80	3/4"	120-277VAC	VM4LB08030B2GLG	VM4LB08030B2R5G	VM4LB08030B2S5G	VM4LB08030B2P5G	VM4LB08030B2ERN	VM4LB08030B2GLG-A
90	3/4"	120-277VAC	VM4LB09030B2GLG	VM4LB09030B2R5G	VM4LB09030B2S5G	VM4LB09030B2P5G	VM4LB09030B2ERN	VM4LB09030B2GLG-A
100	3/4"	120-277VAC	VM4LB10030B2GLG	VM4LB10030B2R5G	VM4LB10030B2S5G	VM4LB10030B2P5G	VM4LB10030B2ERN	VM4LB10030B2GLG-A
105	3/4"	120-277VAC	VM4LB10530B2GLG	VM4LB10530B2R5G	VM4LB10530B2S5G	VM4LB10530B2P5G	VM4LB10530B2ERN	VM4LB10530B2GLG-A
130	3/4"	120-277VAC	VM4LB13030B2GLG	VM4LB13030B2R5G	VM4LB13030B2S5G	VM4LB13030B2P5G	VM4LB13030B2ERN	VM4LB13030B2GLG-A

VM4LC SERIES WALL WITH OPTIC AND GUARD ①								
WATTS	HUB SIZE ②	VOLTAGE ③	GLOBE & GUARD	12" SPIN-TOP POLYCARBONATE FLAT LENS*	TYPE V GLASS REFRACTOR & GUARD	12" SPIN-TOP TYPE V GLASS REFRACTOR & GUARD	12" SPIN-TOP TYPE V POLYCARBONATE REFRACTOR & GUARD	GLOBE, GUARD & ANGLE REFLECTOR ④
40	3/4"	120-277VAC	VM4LC04030B2GLG	VM4LC04030B2PFN	VM4LC04030B2R5G	VM4LC04030B2S5G	VM4LC04030B2P5G	VM4LC04030B2GLG-A
50	3/4"	120-277VAC	VM4LC05030B2GLG	VM4LC05030B2PFN	VM4LC05030B2R5G	VM4LC05030B2S5G	VM4LC05030B2P5G	VM4LC05030B2GLG-A
55	3/4"	120-277VAC	VM4LC05530B2GLG	VM4LC05530B2PFN	VM4LC05530B2R5G	VM4LC05530B2S5G	VM4LC05530B2P5G	VM4LC05530B2GLG-A
65	3/4"	120-277VAC	VM4LC06530B2GLG	VM4LC06530B2PFN	VM4LC06530B2R5G	VM4LC06530B2S5G	VM4LC06530B2P5G	VM4LC06530B2GLG-A
70	3/4"	120-277VAC	VM4LC07030B2GLG	VM4LC07030B2PFN	VM4LC07030B2R5G	VM4LC07030B2S5G	VM4LC07030B2P5G	VM4LC07030B2GLG-A
80	3/4"	120-277VAC	VM4LC08030B2GLG	VM4LC08030B2PFN	VM4LC08030B2R5G	VM4LC08030B2S5G	VM4LC08030B2P5G	VM4LC08030B2GLG-A
90	3/4"	120-277VAC	VM4LC09030B2GLG	VM4LC09030B2PFN	VM4LC09030B2R5G	VM4LC09030B2S5G	VM4LC09030B2P5G	VM4LC09030B2GLG-A
100	3/4"	120-277VAC	VM4LC10030B2GLG	VM4LC10030B2PFN	VM4LC10030B2R5G	VM4LC10030B2S5G	VM4LC10030B2P5G	VM4LC10030B2GLG-A
105	3/4"	120-277VAC	VM4LC10530B2GLG	VM4LC10530B2PFN	VM4LC10530B2R5G	VM4LC10530B2S5G	VM4LC10530B2P5G	VM4LC10530B2GLG-A
130	3/4"	120-277VAC	VM4LC13030B2GLG	VM4LC13030B2PFN	VM4LC13030B2R5G	VM4LC13030B2S5G	VM4LC13030B2P5G	VM4LC13030B2GLG-A

① Catalog numbers shown are with Guard (except ER/EP/PF); to omit guard change ending G to N; e.g. VM4LB05530B2GLN.

② Catalog numbers shown are with 3/4" conduit openings; change "2" to "3" for 1"; e.g. VM4LB05530B3GLG.

③ 120VAC through 277VAC 50/60Hz. See logic for other voltages.

④ See logic for reflector ordering options or order angle reflector VMPA40 separately.

⑤ 40, 50, 55 and 65W are available in VM2LB/VM2LC shallower housings. Substitute VM2L for VM4L in catalog number.

* For Glass 12" Spin-Top Flat Lens change PFN to GFN at end of catalog number.



HIGH WATTAGE - ORDERING INFORMATION



Globe & Guard or Glass Refractor & Guard



Enclosed Reflector



Spin-Top Poly or Glass Flat Lens



Poly Food Optic



Spin-Top Poly or Glass Refractor

VM4LB SERIES CONE WITH OPTIC AND GUARD ①								
WATTS	HUB SIZE ②	VOLTAGE ③	GLOBE & GUARD	TYPE V GLASS REFRACTOR & GUARD	12" SPIN-TOP TYPE V GLASS REFRACTOR & GUARD	12" SPIN-TOP TYPE V POLYCARBONATE REFRACTOR & GUARD	ENCLOSED REFLECTOR	POLYCARBONATE FOOD OPTIC
40 ④	3/4"	120-277VAC	VM4LB04030C2GLG	VM4LB04030C2R5G	VM4LB04030C2S5G	VM4LB04030C2P5G	VM4LB04030C2ERN	VM4LB04030C2EPN
50 ④	3/4"	120-277VAC	VM4LB05030C2GLG	VM4LB05030C2R5G	VM4LB05030C2S5G	VM4LB05030C2P5G	VM4LB05030C2ERN	VM4LB05030C2EPN
55 ④	3/4"	120-277VAC	VM4LB05530C2GLG	VM4LB05530C2R5G	VM4LB05530C2S5G	VM4LB05530C2P5G	VM4LB05530C2ERN	VM4LB05530C2EPN
65 ④	3/4"	120-277VAC	VM4LB06530C2GLG	VM4LB06530C2R5G	VM4LB06530C2S5G	VM4LB06530C2P5G	VM4LB06530C2ERN	VM4LB06530C2EPN
70	3/4"	120-277VAC	VM4LB07030C2GLG	VM4LB07030C2R5G	VM4LB07030C2S5G	VM4LB07030C2P5G	VM4LB07030C2ERN	VM4LB07030C2EPN
80	3/4"	120-277VAC	VM4LB08030C2GLG	VM4LB08030C2R5G	VM4LB08030C2S5G	VM4LB08030C2P5G	VM4LB08030C2ERN	VM4LB08030C2EPN
90	3/4"	120-277VAC	VM4LB09030C2GLG	VM4LB09030C2R5G	VM4LB09030C2S5G	VM4LB09030C2P5G	VM4LB09030C2ERN	VM4LB09030C2EPN
100	3/4"	120-277VAC	VM4LB10030C2GLG	VM4LB10030C2R5G	VM4LB10030C2S5G	VM4LB10030C2P5G	VM4LB10030C2ERN	VM4LB10030C2EPN
105	3/4"	120-277VAC	VM4LB10530C2GLG	VM4LB10530C2R5G	VM4LB10530C2S5G	VM4LB10530C2P5G	VM4LB10530C2ERN	VM4LB10530C2EPN
130	3/4"	120-277VAC	VM4LB13030C2GLG	VM4LB13030C2R5G	VM4LB13030C2S5G	VM4LB13030C2P5G	VM4LB13030C2ERN	VM4LB13030C2EPN

VM4LC SERIES CONE WITH OPTIC AND GUARD ①								
WATTS	HUB SIZE ②	VOLTAGE ③	GLOBE & GUARD	12" SPIN-TOP POLYCARBONATE FLAT LENS* ④	TYPE V GLASS REFRACTOR & GUARD	12" SPIN-TOP TYPE V GLASS REFRACTOR & GUARD	12" SPIN-TOP TYPE V POLYCARBONATE REFRACTOR & GUARD	POLYCARBONATE FOOD OPTIC
40 ④	3/4"	120-277VAC	VM4LC04030C2GLG	VM4LC04030C2PFN	VM4LC04030C2R5G	VM4LC04030C2S5G	VM4LC04030C2P5G	VM4LC04030C2EPN
50 ④	3/4"	120-277VAC	VM4LC05030C2GLG	VM4LC05030C2PFN	VM4LC05030C2R5G	VM4LC05030C2S5G	VM4LC05030C2P5G	VM4LC05030C2EPN
55 ④	3/4"	120-277VAC	VM4LC05530C2GLG	VM4LC05530C2PFN	VM4LC05530C2R5G	VM4LC05530C2S5G	VM4LC05530C2P5G	VM4LC05530C2EPN
65 ④	3/4"	120-277VAC	VM4LC06530C2GLG	VM4LC06530C2PFN	VM4LC06530C2R5G	VM4LC06530C2S5G	VM4LC06530C2P5G	VM4LC06530C2EPN
70	3/4"	120-277VAC	VM4LC07030C2GLG	VM4LC07030C2PFN	VM4LC07030C2R5G	VM4LC07030C2S5G	VM4LC07030C2P5G	VM4LC07030C2EPN
80	3/4"	120-277VAC	VM4LC08030C2GLG	VM4LC08030C2PFN	VM4LC08030C2R5G	VM4LC08030C2S5G	VM4LC08030C2P5G	VM4LC08030C2EPN
90	3/4"	120-277VAC	VM4LC09030C2GLG	VM4LC09030C2PFN	VM4LC09030C2R5G	VM4LC09030C2S5G	VM4LC09030C2P5G	VM4LC09030C2EPN
100	3/4"	120-277VAC	VM4LC10030C2GLG	VM4LC10030C2PFN	VM4LC10030C2R5G	VM4LC10030C2S5G	VM4LC10030C2P5G	VM4LC10030C2EPN
105	3/4"	120-277VAC	VM4LC10530C2GLG	VM4LC10530C2PFN	VM4LC10530C2R5G	VM4LC10530C2S5G	VM4LC10530C2P5G	VM4LC10530C2EPN
130	3/4"	120-277VAC	VM4LC13030C2GLG	VM4LC13030C2PFN	VM4LC13030C2R5G	VM4LC13030C2S5G	VM4LC13030C2P5G	VM4LC13030C2EPN

① Catalog numbers shown are with Guard (except ER/EP/PF); to omit guard change ending G to N; e.g. VM4LB05530C2GLN.

② Catalog numbers shown are with 3/4" conduit openings; change "2" to "3" for 1"; e.g. VM4LB05530C3GLG.

③ 120VAC through 277VAC 50/60Hz. See logic for other voltages.

④ 40, 50, 55 and 65W are available in VM2LB/VM2LC shallower housings. Substitute VM2L for VM4L in catalog number.

* For Glass 12" Spin-Top Flat Lens change PFN to GFN at end of catalog number.



LIGHTING

VM2&4LB, VM2&4LC SERIES



HIGH WATTAGE - ORDERING INFORMATION



Globe & Guard or Glass Refractor & Guard



Spin-Top Poly or Glass Flat Lens



Spin-Top Poly or Glass Refractor



Enclosed Reflector



Globe Guard & Angle Reflector

VM4LB SERIES 25° STANCHION WITH OPTIC AND GUARD ①								
WATTS	HUB SIZE ②	VOLTAGE ③	GLOBE & GUARD	TYPE V GLASS REFRACTOR & GUARD	12" SPIN-TOP TYPE V GLASS REFRACTOR & GUARD	12" SPIN-TOP TYPE V POLYCARBONATE REFRACTOR & GUARD	ENCLOSED REFLECTOR	GLOBE GUARD & ANGLE REFLECTOR ④
40Ⓞ	1-1/2"	120-277VAC	VM4LB04030D5GLG	VM4LB04030D5R5G	VM4LB04030D5S5G	VM4LB04030D5P5G	VM4LB04030D5ERN	VM4LB040D5GLG-A
50Ⓞ	1-1/2"	120-277VAC	VM4LB05030D5GLG	VM4LB05030D5R5G	VM4LB05030D5S5G	VM4LB05030D5P5G	VM4LB05030D5ERN	VM4LB050D5GLG-A
55Ⓞ	1-1/2"	120-277VAC	VM4LB05530D5GLG	VM4LB05530D5R5G	VM4LB05530D5S5G	VM4LB05530D5P5G	VM4LB05530D5ERN	VM4LB055D5GLG-A
65Ⓞ	1-1/2"	120-277VAC	VM4LB06530D5GLG	VM4LB06530D5R5G	VM4LB06530D5S5G	VM4LB06530D5P5G	VM4LB06530D5ERN	VM4LB065D5GLG-A
70	1-1/2"	120-277VAC	VM4LB07030D5GLG	VM4LB07030D5R5G	VM4LB07030D5S5G	VM4LB07030D5P5G	VM4LB07030D5ERN	VM4LB070D5GLG-A
80	1-1/2"	120-277VAC	VM4LB08030D5GLG	VM4LB08030D5R5G	VM4LB08030D5S5G	VM4LB08030D5P5G	VM4LB08030D5ERN	VM4LB080D5GLG-A
90	1-1/2"	120-277VAC	VM4LB09030D5GLG	VM4LB09030D5R5G	VM4LB09030D5S5G	VM4LB09030D5P5G	VM4LB09030D5ERN	VM4LB090D5GLG-A
100	1-1/2"	120-277VAC	VM4LB10030D5GLG	VM4LB10030D5R5G	VM4LB10030D5S5G	VM4LB10030D5P5G	VM4LB10030D5ERN	VM4LB100D5GLG-A
105	1-1/2"	120-277VAC	VM4LB10530D5GLG	VM4LB10530D5R5G	VM4LB10530D5S5G	VM4LB10530D5P5G	VM4LB10530D5ERN	VM4LB105D5GLG-A
130	1-1/2"	120-277VAC	VM4LB13030D5GLG	VM4LB13030D5R5G	VM4LB13030D5S5G	VM4LB13030D5P5G	VM4LB13030D5ERN	VM4LB130D5GLG-A

VM4LC SERIES 25° STANCHION WITH OPTIC AND GUARD ①								
WATTS	HUB SIZE ②	VOLTAGE ③	GLOBE & GUARD	12" SPIN-TOP POLYCARBONATE FLAT LENS* ⑤	TYPE V GLASS REFRACTOR & GUARD	12" SPIN-TOP TYPE V GLASS REFRACTOR & GUARD	12" SPIN-TOP TYPE V POLYCARBONATE REFRACTOR & GUARD	GLOBE GUARD & ANGLE REFLECTOR ④
40Ⓞ	1-1/2"	120-277VAC	VM4LC04030D5GLG	VM4LC04030D5PFN	VM4LC04030D5R5G	VM4LC04030D5S5G	VM4LC04030D5P5G	VM4LC04030D5GLG-A
50Ⓞ	1-1/2"	120-277VAC	VM4LC05030D5GLG	VM4LC05030D5PFN	VM4LC05030D5R5G	VM4LC05030D5S5G	VM4LC05030D5P5G	VM4LC05030D5GLG-A
55Ⓞ	1-1/2"	120-277VAC	VM4LC05530D5GLG	VM4LC05530D5PFN	VM4LC05530D5R5G	VM4LC05530D5S5G	VM4LC05530D5P5G	VM4LC05530D5GLG-A
65Ⓞ	1-1/2"	120-277VAC	VM4LC06530D5GLG	VM4LC06530D5PFN	VM4LC06530D5R5G	VM4LC06530D5S5G	VM4LC06530D5P5G	VM4LC06530D5GLG-A
70	1-1/2"	120-277VAC	VM4LC07030D5GLG	VM4LC07030D5PFN	VM4LC07030D5R5G	VM4LC07030D5S5G	VM4LC07030D5P5G	VM4LC07030D5GLG-A
80	1-1/2"	120-277VAC	VM4LC08030D5GLG	VM4LC08030D5PFN	VM4LC08030D5R5G	VM4LC08030D5S5G	VM4LC08030D5P5G	VM4LC08030D5GLG-A
90	1-1/2"	120-277VAC	VM4LC09030D5GLG	VM4LC09030D5PFN	VM4LC09030D5R5G	VM4LC09030D5S5G	VM4LC09030D5P5G	VM4LC09030D5GLG-A
100	1-1/2"	120-277VAC	VM4LC10030D5GLG	VM4LC10030D5PFN	VM4LC10030D5R5G	VM4LC10030D5S5G	VM4LC10030D5P5G	VM4LC10030D5GLG-A
105	1-1/2"	120-277VAC	VM4LC10530D5GLG	VM4LC10530D5PFN	VM4LC10530D5R5G	VM4LC10530D5S5G	VM4LC10530D5P5G	VM4LC10530D5GLG-A
130	1-1/2"	120-277VAC	VM4LC13030D5GLG	VM4LC13030D5PFN	VM4LC13030D5R5G	VM4LC13030D5S5G	VM4LC13030D5P5G	VM4LC13030D5GLG-A

① Catalog numbers shown are with Guard (except ER/EP/PF); to omit guard change ending G to N; e.g. VM4LB05530D5GLN.

② Catalog numbers shown are with 1-1/2" conduit openings; change "5" to "4" for 1-1/4"; e.g. VM4LB05530D4GLG.

③ 120VAC through 277VAC 50/60Hz. See logic for other voltages.

④ See logic for reflector ordering options or order angle reflector VMPA40 separately.

⑤ 40, 50, 55 and 65W are available in VM2LB/VM2LC shallower housings. Substitute VM2L for VM4L in catalog number.

* For Glass 12" Spin-Top Flat Lens change PFN to GFN at end of catalog number.



HIGH WATTAGE - ORDERING INFORMATION



Globe & Guard or Glass Refractor & Guard

Spin-Top Poly or Glass Flat Lens

Spin-Top Poly or Glass Refractor

Enclosed Reflector

Globe, Guard and Dome Reflector

VM4LB SERIES STRAIGHT STANCHION WITH OPTIC AND GUARD ①								
WATTS	HUB SIZE ②	VOLTAGE ③	GLOBE & GUARD	TYPE V GLASS REFRACTOR & GUARD	12" SPIN-TOP TYPE V GLASS REFRACTOR & GUARD	12" SPIN-TOP TYPE V POLYCARBONATE REFRACTOR & GUARD	ENCLOSED REFLECTOR	GLOBE GUARD AND DOME REFLECTOR ④
40 ⑤	1-1/2"	120-277VAC	VM4LB0403S5GLG	VM4LB0403S5R5G	VM4LB0403S5S5G	VM4LB0403S5P5G	VM4LB0403S5ERN	VM4LB040S5GLG-S
50 ⑤	1-1/2"	120-277VAC	VM4LB0503S5GLG	VM4LB0503S5R5G	VM4LB0503S5S5G	VM4LB0503S5P5G	VM4LB0503S5ERN	VM4LB050S5GLG-S
55 ⑤	1-1/2"	120-277VAC	VM4LB0553S5GLG	VM4LB0553S5R5G	VM4LB0553S5S5G	VM4LB0553S5P5G	VM4LB0553S5ERN	VM4LB055S5GLG-S
65 ⑤	1-1/2"	120-277VAC	VM4LB0653S5GLG	VM4LB0653S5R5G	VM4LB0653S5S5G	VM4LB0653S5P5G	VM4LB0653S5ERN	VM4LB065S5GLG-S
70	1-1/2"	120-277VAC	VM4LB0703S5GLG	VM4LB0703S5R5G	VM4LB0703S5S5G	VM4LB0703S5P5G	VM4LB0703S5ERN	VM4LB070S5GLG-S
80	1-1/2"	120-277VAC	VM4LB0803S5GLG	VM4LB0803S5R5G	VM4LB0803S5S5G	VM4LB0803S5P5G	VM4LB0803S5ERN	VM4LB080S5GLG-S
90	1-1/2"	120-277VAC	VM4LB0903S5GLG	VM4LB0903S5R5G	VM4LB0903S5S5G	VM4LB0903S5P5G	VM4LB0903S5ERN	VM4LB090S5GLG-S
100	1-1/2"	120-277VAC	VM4LB1003S5GLG	VM4LB1003S5R5G	VM4LB1003S5S5G	VM4LB1003S5P5G	VM4LB1003S5ERN	VM4LB100S5GLG-S
105	1-1/2"	120-277VAC	VM4LB1053S5GLG	VM4LB1053S5R5G	VM4LB1053S5S5G	VM4LB1053S5P5G	VM4LB1053S5ERN	VM4LB105S5GLG-S
130	1-1/2"	120-277VAC	VM4LB1303S5GLG	VM4LB1303S5R5G	VM4LB1303S5S5G	VM4LB1303S5P5G	VM4LB1303S5ERN	VM4LB130S5GLG-S

VM4LC SERIES STRAIGHT STANCHION WITH OPTIC AND GUARD ①								
WATTS	HUB SIZE ②	VOLTAGE ③	GLOBE & GUARD	12" SPIN-TOP POLYCARBONATE FLAT LENS* ⑤	TYPE V GLASS REFRACTOR & GUARD	12" SPIN-TOP TYPE V GLASS REFRACTOR & GUARD	12" SPIN-TOP TYPE V POLYCARBONATE REFRACTOR & GUARD	GLOBE GUARD AND DOME REFLECTOR ④
40 ⑤	1-1/2"	120-277VAC	VM4LC0403S5GLG	VM4LC0403S5PFN	VM4LC0403S5R5G	VM4LC0403S5S5G	VM4LC0403S5P5G	VM4LC040S5GLG-S
50 ⑤	1-1/2"	120-277VAC	VM4LC0503S5GLG	VM4LC0503S5PFN	VM4LC0503S5R5G	VM4LC0503S5S5G	VM4LC0503S5P5G	VM4LC050S5GLG-S
55 ⑤	1-1/2"	120-277VAC	VM4LC0553S5GLG	VM4LC0553S5PFN	VM4LC0553S5R5G	VM4LC0553S5S5G	VM4LC0553S5P5G	VM4LC055S5GLG-S
65 ⑤	1-1/2"	120-277VAC	VM4LC0653S5GLG	VM4LC0653S5PFN	VM4LC0653S5R5G	VM4LC0653S5S5G	VM4LC0653S5P5G	VM4LC065S5GLG-S
70	1-1/2"	120-277VAC	VM4LC0703S5GLG	VM4LC0703S5PFN	VM4LC0703S5R5G	VM4LC0703S5S5G	VM4LC0703S5P5G	VM4LC070S5GLG-S
80	1-1/2"	120-277VAC	VM4LC0803S5GLG	VM4LC0803S5PFN	VM4LC0803S5R5G	VM4LC0803S5S5G	VM4LC0803S5P5G	VM4LC080S5GLG-S
90	1-1/2"	120-277VAC	VM4LC0903S5GLG	VM4LC0903S5PFN	VM4LC0903S5R5G	VM4LC0903S5S5G	VM4LC0903S5P5G	VM4LC090S5GLG-S
100	1-1/2"	120-277VAC	VM4LC1003S5GLG	VM4LC1003S5PFN	VM4LC1003S5R5G	VM4LC1003S5S5G	VM4LC1003S5P5G	VM4LC100S5GLG-S
105	1-1/2"	120-277VAC	VM4LC1053S5GLG	VM4LC1053S5PFN	VM4LC1053S5R5G	VM4LC1053S5S5G	VM4LC1053S5P5G	VM4LC105S5GLG-S
130	1-1/2"	120-277VAC	VM4LC1303S5GLG	VM4LC1303S5PFN	VM4LC1303S5R5G	VM4LC1303S5S5G	VM4LC1303S5P5G	VM4LC130S5GLG-S

① Catalog numbers shown are with Guard (except ER/EP/PF); to omit guard change ending G to N; e.g. VM4LB05530S5GLN.

② Catalog numbers shown are with 1-1/2" conduit openings; change "5" to "4" for 1-1/4"; e.g. VM4LB05530S4GLG.

③ 120VAC through 277VAC 50/60Hz. See logic for other voltages.

④ See logic for reflector ordering options or order dome reflector VMPSD40 separately.

⑤ 40, 50, 55 and 65W are available in VM2LB/VM2LC shallower housings. Substitute VM2L for VM4L in catalog number.

* For Glass 12" Spin-Top Flat Lens change PRN to GFN at end of catalog number.



LIGHTING

VM2&4LB, VM2&4LC SERIES



HIGH WATTAGE - ORDERING INFORMATION



Globe & Guard or Glass Refractor & Guard



Enclosed Reflector



Spin-Top Poly or Glass Flat Lens

Poly Food Optic



Spin-Top Poly or Glass Refractor

VM4LB SERIES EZ ADAPTER WITH OPTIC AND GUARD ① ②								
WATTS	HUB SIZE ②	VOLTAGE ③	GLOBE & GUARD	TYPE V GLASS REFRACTOR & GUARD	12" SPIN-TOP TYPE V GLASS REFRACTOR & GUARD	12" SPIN-TOP TYPE V POLYCARBONATE REFRACTOR & GUARD	ENCLOSED REFLECTOR	POLYCARBONATE FOOD OPTIC
40 ④	②	120-277VAC	VM4LB04030EZGLG	VM4LB04030EZR5G	VM4LB04030EZS5G	VM4LB04030EZP5G	VM4LB04030EZERN	VM4LB04030EZEPN
50 ④	②	120-277VAC	VM4LB05030EZGLG	VM4LB05030EZR5G	VM4LB05030EZS5G	VM4LB05030EZP5G	VM4LB05030EZERN	VM4LB05030EZEPN
55 ④	②	120-277VAC	VM4LB05530EZGLG	VM4LB05530EZR5G	VM4LB05530EZS5G	VM4LB05530EZP5G	VM4LB05530EZERN	VM4LB05530EZEPN
65 ④	②	120-277VAC	VM4LB06530EZGLG	VM4LB06530EZR5G	VM4LB06530EZS5G	VM4LB06530EZP5G	VM4LB06530EZERN	VM4LB06530EZEPN
70	②	120-277VAC	VM4LB07030EZGLG	VM4LB07030EZR5G	VM4LB07030EZS5G	VM4LB07030EZP5G	VM4LB07030EZERN	VM4LB07030EZEPN
80	②	120-277VAC	VM4LB08030EZGLG	VM4LB08030EZR5G	VM4LB08030EZS5G	VM4LB08030EZP5G	VM4LB08030EZERN	VM4LB08030EZEPN
90	②	120-277VAC	VM4LB09030EZGLG	VM4LB09030EZR5G	VM4LB09030EZS5G	VM4LB09030EZP5G	VM4LB09030EZERN	VM4LB09030EZEPN
100	②	120-277VAC	VM4LB10030EZGLG	VM4LB10030EZR5G	VM4LB10030EZS5G	VM4LB10030EZP5G	VM4LB10030EZERN	VM4LB10030EZEPN
105	②	120-277VAC	VM4LB10530EZGLG	VM4LB10530EZR5G	VM4LB10530EZS5G	VM4LB10530EZP5G	VM4LB10530EZERN	VM4LB10530EZEPN
130	②	120-277VAC	VM4LB13030EZGLG	VM4LB13030EZR5G	VM4LB13030EZS5G	VM4LB13030EZP5G	VM4LB13030EZERN	VM4LB13030EZEPN

VM4LC SERIES EZ ADAPTER WITH OPTIC AND GUARD ① ②								
WATTS	HUB SIZE ②	VOLTAGE ③	GLOBE & GUARD	12" SPIN-TOP POLYCARBONATE FLAT LENS*	TYPE V GLASS REFRACTOR & GUARD	12" SPIN-TOP TYPE V GLASS REFRACTOR & GUARD	12" SPIN-TOP TYPE V POLYCARBONATE REFRACTOR & GUARD	POLYCARBONATE FOOD OPTIC
40 ④	②	120-277VAC	VM4LC04030EZGLG	VM4LC04030EZPFN	VM4LC04030EZR5G	VM4LC04030EZS5G	VM4LC04030EZP5G	VM4LC04030EZEPN
50 ④	②	120-277VAC	VM4LC05030EZGLG	VM4LC05030EZPFN	VM4LC05030EZR5G	VM4LC05030EZS5G	VM4LC05030EZP5G	VM4LC05030EZEPN
55 ④	②	120-277VAC	VM4LC05530EZGLG	VM4LC05530EZPFN	VM4LC05530EZR5G	VM4LC05530EZS5G	VM4LC05530EZP5G	VM4LC05530EZEPN
65 ④	②	120-277VAC	VM4LC06530EZGLG	VM4LC06530EZPFN	VM4LC06530EZR5G	VM4LC06530EZS5G	VM4LC06530EZP5G	VM4LC06530EZEPN
70	②	120-277VAC	VM4LC07030EZGLG	VM4LC07030EZPFN	VM4LC07030EZR5G	VM4LC07030EZS5G	VM4LC07030EZP5G	VM4LC07030EZEPN
80	②	120-277VAC	VM4LC08030EZGLG	VM4LC08030EZPFN	VM4LC08030EZR5G	VM4LC08030EZS5G	VM4LC08030EZP5G	VM4LC08030EZEPN
90	②	120-277VAC	VM4LC09030EZGLG	VM4LC09030EZPFN	VM4LC09030EZR5G	VM4LC09030EZS5G	VM4LC09030EZP5G	VM4LC09030EZEPN
100	②	120-277VAC	VM4LC10030EZGLG	VM4LC10030EZPFN	VM4LC10030EZR5G	VM4LC10030EZS5G	VM4LC10030EZP5G	VM4LC10030EZEPN
105	②	120-277VAC	VM4LC10530EZGLG	VM4LC10530EZPFN	VM4LC10530EZR5G	VM4LC10530EZS5G	VM4LC10530EZP5G	VM4LC10530EZEPN
130	②	120-277VAC	VM4LC13030EZGLG	VM4LC13030EZPFN	VM4LC13030EZR5G	VM4LC13030EZS5G	VM4LC13030EZP5G	VM4LC13030EZEPN

① Catalog numbers shown are with Guard (except ER/EP/PF); to omit guard change ending G to N; e.g. VM4LB05530EZGLN.

② VMEZA tank adapters UL "classified" as an assembly for use between VM tanks and EZ mounts. Order EZ mounts separately - see page 11 on components page.

③ 120VAC through 277VAC 50/60Hz. See logic for other voltages.

④ 40, 50, 55 and 65W are available in VM2LB/VM2LC shallower housings. Substitute VM2L for VM4L in catalog number.

* For Glass 12" Spin-Top Flat Lens change PFN to GFN at end of catalog number.



HIGH WATTAGE - COMPONENTS



CERTILITE® VM MOUNTING SPLICE BOXES							
CATALOG NUMBER							
HUB SIZE	PENDANT	CEILING 4 HUB	CEILING 5 HUB	WALL	CONE TOP	25 DEGREE STANCHION	90 DEGREE STANCHION
3/4"	VMA2B	VMX2B	VMX6B	VMB2B	VMC2B	—	—
1"	VMA3B	VMX3B	VMX7B	VMB3B	VMC3B	—	—
1-1/4"	—	—	—	—	—	VMD4B	VMS4B
1-1/2"	—	—	—	—	—	VMD5B	VMS5B
M-20	—	VMX8B**	VMX9B	—	—	—	—

*VMEZA is used between a ballast tank and an EZ mount - ordered separately. See catalog grids.
**VMX8B furnished with 3 non-metallic E20 plugs.

VM2L/VM4L LED OPTICS AND ACCESSORIES		
DESCRIPTION	OPTIC LOGIC	GUARD ④
Flat Lens (glass spin top) "C" tank only	VZRGF12 (GF)	VZRF12GRD
Flat Lens (polycarbonate spin top) "C" tank only*	VZRPF12 (PF)	VZRF12GRD
Globe (glass)	VMG25 (GL)	VMAG25S
Reflector (all glass) Type V	VMR255 (R5)	VMAG25S
Enclosed Reflector	VMER40 (ER)	VMERG
Enclosed Reflector with polycarbonate Lens*	VMEP40 (EP) ③	—
Reflector (polycarbonate spin top) 12" Type V*	VZRP175B (P5)	VMRWGS
Reflector (glass spin top) 12" Type V	VZRG4050 (S5)	VMRWGS

*Non-glass over Food/Grain Class II Div 1 Group G Certified; VMEP40, VZRP175B, and VZRPF12



Standard Dome, Fiberglass
White Reflector, Dia: 16"



30° Angle, Fiberglass
White Reflector, Dia: 16"

VM2L/VM4L LED REFLECTORS AND ACCESSORIES	
DOME REFLECTOR (Polyester reinforced fiberglass)	VMPSD40
ANGLE REFLECTOR (Polyester reinforced fiberglass)	VMPA40
DEEP DOME REFLECTOR (White Painted Aluminum)	HRD400
DEEP DOME REFLECTOR (Anodized Aluminum)	HRD400ALZ
120VAC Photocell with FS Style Cover ①	VMFSPC1
208-277VAC Photocell with FS Style Cover ①	VMFSPC2
Bottom Closure for VMAG25S ④	VMAGBC
4-sided EXIT Accessory (use without guard) ②	VEXA400

- ① Order single-gang FS box separately. For photocell factory installed in tank, see logic.
- ② For use with Generator or UPS powered fixtures
- ③ For wall applications mount must be spaced out for bottom hub
- ④ Guards are 316 Stainless. Bottom closure for VMAG25S pt. no. VMAGBC



Deep Aluminum, White
Reflector, Dia: 21"



Deep Aluminum, Anodized
Reflector, Dia: 21"



LIGHTING

HIGH WATTAGE - COMPONENTS & RATINGS



“EZ” Mount Adapter

For easy fixture relocation or to repair fixture on ‘bench top’.

VMEZA adapter is used between a ballast tank and EZ mount ordered separately. →

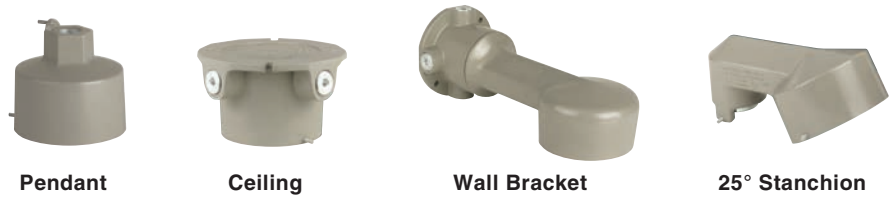


Patented Design



Competitive Adapters

Designed to ease upgrading of other manufacturer’s fixtures to KILLARK LEDs where removal of existing mounting screws and conduit would be difficult and time consuming.



MOUNTING BOXES				
CATALOG NUMBER				HUB SIZE
PENDANT	CEILING	BRACKET	STANCHION	
EZA2	EZX2	EZB2	—	3/4"
EZA3	EZX3	EZB3	—	1"
—	—	—	EZD4A*	1-1/4"/1-1/2**

*1-1/2" furnished with 1-1/2"-1-1/4" reducer and extension.

Tank adapter to Crouse-Hinds®① VM Series mounts	VMCHVM
Tank adapter to CH (70's era wall mount with deep box)	VMCHVM-DEEP
Tank adapter to Appleton®② MERCMASTER II mounts	VMM2LP
Tank adapter to Appleton® MERCMASTER III mounts	VMM3KP
Tank adapter to Hazlux®③ mounts	VMHLDS

- ① Crouse-Hinds is a registered trademark of EATON® corporation.
- ② Appleton and MERCMASTER are registered trademarks of Emerson® Industrial Automation.
- ③ Hazlux is a registered trademark of Thomas & Betts.

LED HOUSINGS WITH DRIVERS AND LEDS - ELECTRICAL RATINGS①				
WATTAGE	VOLTAGE 50/60HZ	AMPS 120/277	CIL②	WEIGHT③
40	120-277VAC	0.36/0.16	5490	18.9
50	120-277VAC	0.43/0.18	7650	18.9
55	120-277VAC	0.48/0.21	6960	18.9
65	120-277VAC	0.56/0.24	10200	18.9
70	120-277VAC	0.60/0.30	8700	18.9
80	120-277VAC	0.68/0.30	10440	18.9
90	120-277VAC	0.77/0.33	12760	18.9
100	120-277VAC	0.85/0.37	15310	18.9
105	120-277VAC	0.89/0.39	13920	18.9
130	120-277VAC	1.10/0.48	20415	18.9

- ① Driver THD<20%, Powerfactor 99% @ 120V; Line Regulation 2%; Load regulation 5%; Protected against Over-voltage and Over-current.
- ② CIL = Calculated Initial Lumens of LED component based on mfg. data and driver current INSIDE the optic. This value is provided as a reference only for comparison to traditional light sources such as incandescent, HID, or fluorescent which use initial values in "relative" photometry. KILLARK LED luminaires are tested using the Absolute photometry method (LM79-08), which calculates delivered lumens only. KILLARK's LED luminaires provide very bright white 5000 K (CCT) color and can appear brighter than traditional light sources with higher lumen values under both photopic and scotopic conditions.
- ③ Weights are shown with VM4LB with ceiling mount. VM4LC with ceiling mount approx. 17.4 lbs. For VM2L models, deduct approx. 1.25 lbs.
- ④ TM-21 based values require very long duration testing. The TM-21/L70 "official reported" value is based on at least 10,000 hours testing (at time of printing) at 1000mA to 1500mA drive current, depending on LED chip utilized - "Reported L70" is a factor of test duration. KILLARK's VM4LC/B series utilizes lower 700mA maximum drive current - "calculated" values by the major chip vendors utilized predict L70 life up to 278,000 hours even at 1000mA.
- ⑤ For a given wattage current & CIL values are the same, regardless of tank type VM2LB/C or VM4LB/C.

THERMAL PERFORMANCE DATA						
WATTAGE⑤	AMBIENT	C1D2	C2D1	L70		SUPPLY WIRE
				TM-21④	CALCULATED	
40	40°C	T4A	EFG	60100	270000	75°C
	55°C	T4A	EFG	60100	270000	90°C
	65°C	T4	EFG	60100	270000	90°C
50	40°C	T4A	EFG	72600	278000	75°C
	55°C	T4A	EFG	72600	278000	90°C
	65°C	T4	EFG	72600	278000	90°C
55	40°C	T4A	EFG	60100	270000	75°C
	55°C	T4A	EFG	60100	270000	90°C
	65°C	T4	EFG	60100	270000	90°C
65	40°C	T4A	EFG	72600	278000	75°C
	55°C	T4A	EFG	72600	278000	90°C
	65°C	T4	EFG	72600	278000	90°C
70	40°C	T4A	EFG	60100	270000	75°C
	55°C	T4	EFG	60100	270000	90°C
80	40°C	T4A	EFG	60100	270000	75°C
	55°C	T4	EFG	60100	270000	90°C
90	40°C	T4A	EFG	72600	278000	75°C
	55°C	T4	EFG	72600	278000	90°C
100	40°C	T4A	EFG	60100	278000	75°C
	55°C	T4	EFG	60100	278000	90°C
105	40°C	T4A	EFG	60100	270000	75°C
	55°C	T4	EFG	60100	270000	90°C
130	40°C	T4A	EFG	72600	278000	75°C
	50°C	T4	EFG	72600	278000	90°C

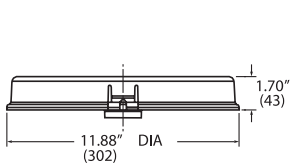
TOTAL LUMEN OUTPUT			
Wattage	Globe(VM4LB)	Globe (VM4LC)	Flat Lens (VM4LC)
40	4600	4180	3873
50①	6715	6087	5556
55	5842	5275	4790
65①	8577	8229	7441
70	7111	6524	5980
80	8525	7559	6923
90①	10520	10210	9115
100①	12220	11910	10666
105	10780	9600	8809
130①	15630	15370	13780

①Extra high lumen per watt LED's

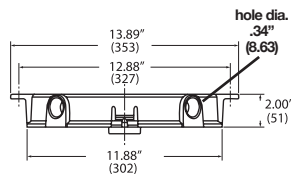




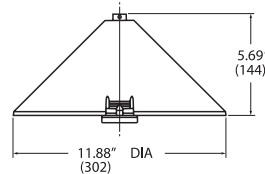
HIGH WATTAGE - DIMENSIONS & WEIGHTS



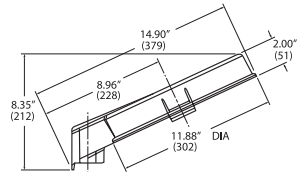
Pendant Mount



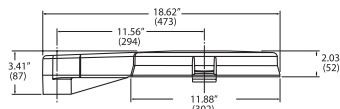
Ceiling Mount



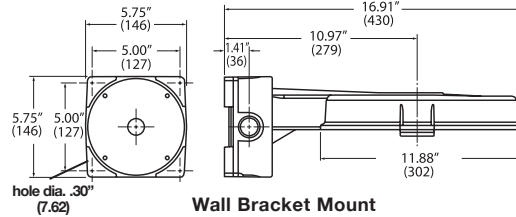
Cone Mount



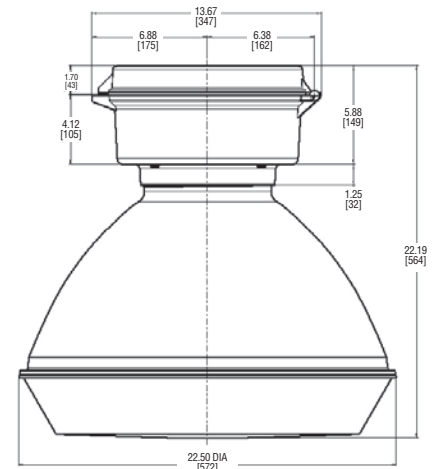
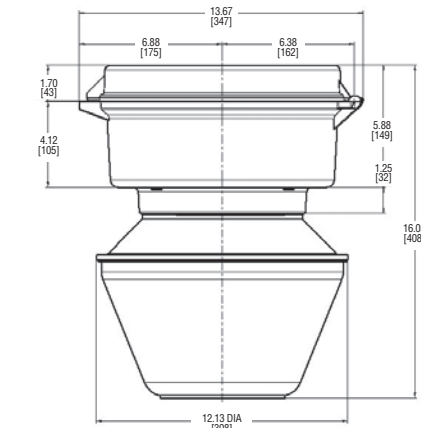
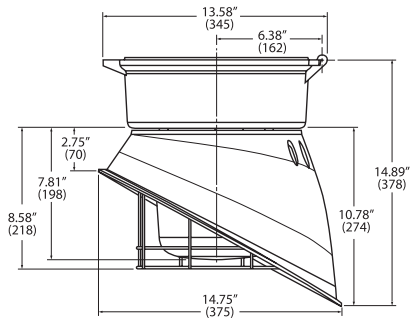
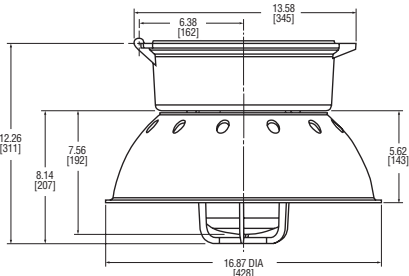
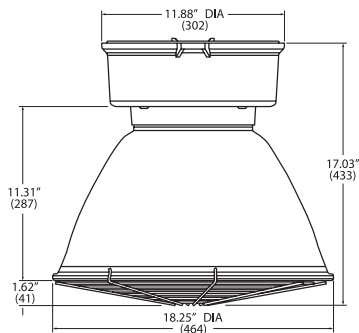
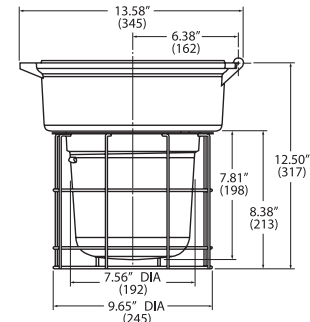
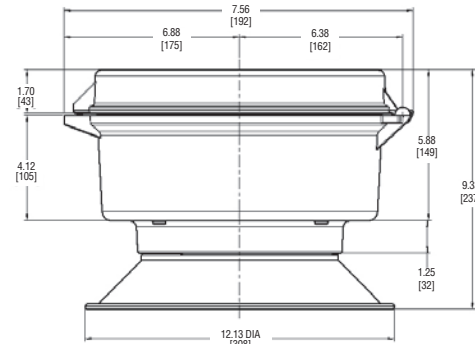
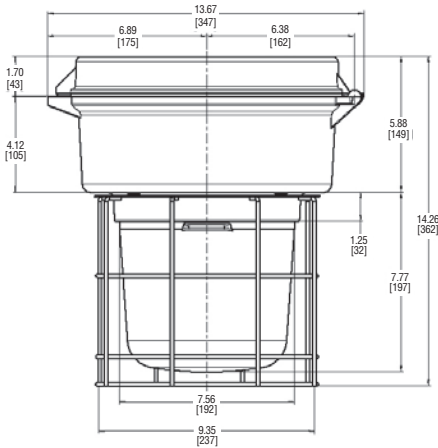
Stanchion (25°) Mount



Stanchion (0°) Mount



Wall Bracket Mount



For Height of VM2L models, deduct 1.56" (40mm) from VM4L tank, or overall dimensions with some mount and optic. All other dimensions are the same.

Typical Weights (lbs.) w/Standard Globe and Guard - VM4LB/C Series			
Pendant 33.40	Ceiling 33.00	Wall 37.90	Stanchion 34.30



LIGHTING

EML SERIES



EXPLOSION-PROOF - INTRODUCTION & LOGIC

RETURN to Index



Expanded wattage range RANGE
40, 45, 50W

Class I, Div. 1 & 2, Groups C,D
Class I, Zones 1 & 2, Groups IIB, IIA
Class II, Div. 1 & 2, Groups E,F,G
Class III, Div. 1 & 2
Suitable for wet locations
Marine
NEMA 3, 4, 4X
Factory Sealed

SP US Certified - File LR11713

HOSTILELITE® LED

FEATURES-SPECIFICATIONS

Applications

HOSTILELITE® EML LED Series fixtures are designed for installations where moisture, dirt, dust, corrosion and vibration may be present, or NEMA 3 and 4x areas where wind, water, snow or high ambients can be expected. They can be used in locations made hazardous due to the presence of flammable or explosive gases, vapors and combustible dusts as defined by the NEC.

Applications include classified areas such as paint manufacturing plants, ammunition facilities, oil and gas producing and refining plants, off-shore and dockside installations, tank farms, pipeline pumping stations and marine loading and fuel transfer terminals.

Compliances

- UL-8750 for LED lighting
- UL-844 Electric Lighting Fixtures for use in Hazardous Locations
- UL Marine Type Electric Lighting Fixtures
- CSA C22.2 no. 137-M1981 Electric Luminaires for use in Hazardous Locations
- NEMA 3, 4, 4X, 7CD, 9EFG

Materials

- Ballast tank, splice box and guards corrosion resistant copper-free aluminum alloy
- Baked powder epoxy/polyester finish, electrostatically applied for complete, uniform corrosion protection
- All external hardware - Stainless Steel
- Reflectors are aluminum with white finish

LED Luminaire Features and Standards

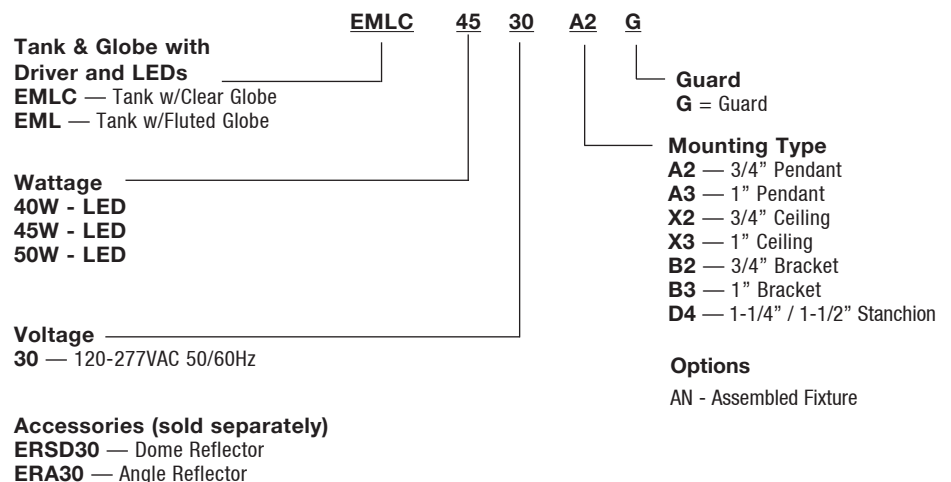
- Compact Explosion-proof with Traditional Industrial Appearance and Suitability
- Fluted or Exclusive Clear Globe; Dome or Angle Reflectors

- Optional Mounting arrangements including Pendant, Wall, Ceiling, and Stanchion
- EML LED Housings can be retrofitted to existing EZ splice boxes; upgrade from Incandescent, Fluorescent or HID
- Energy Savings - less than 55 Watts of Power
- Long Life - 50,000 - 55,000 Maintenance Free Hours to 70% Initial Lumens
- Crisp White Light for Excellent Color Rendering - Chromaticity Avg. 4950°K (CCT); 69 CRI
- Ambient suitability -40°C to 55°C
- Instant on - including after power interruption
- "World Voltage" 120-277VAC 50/60Hz
- Solder-LESS LED Board Connections - Vibration Resistant
- Dual Drivers - Redundant Systems (built-in backup)

- LM80-08* Measurement of lumen maintenance for LED light sources
- LM79-08* Certified "Absolute" Photometry, including Chromaticity Color for Solid State Lighting
- L70 Values - Industry Nomenclature for Hours of use to 70% of Initial Lumens
- Factory Sealed Construction - no external seal required, simply wire mounting cap and thread-in fixture to install

* LM-xx are Illumination Engineering Society Standards designed to promote uniformity in testing procedures among test labs and manufacturers. For more information go to www.ies.org

Catalog Number Logic





EXPLOSION-PROOF - ORDERING INFORMATION



Pendant



Ceiling



Wall



Stanchion

Class I, Div. 1 & 2, Groups C,D
 Class I, Zones 1 & 2, Groups IIB, IIA
 Class II, Div. 1 & 2, Groups E,F,G
 Class III, Div. 1 & 2
 Suitable for wet locations
 Marine
 NEMA 3, 4, 4X
 Factory Sealed

Certified - File LR11713

ORDERING INFORMATION

EML SERIES PENDANT WITH OPTIC AND GUARD ①				
WATTS	HUB SIZE②	VOLTAGE④	FLUTED GLOBE & GUARD	CLEAR GLOBE & GUARD*
40	3/4"	120-277VAC	EML4030A2G	EMLC4030A2G
45	3/4"	120-277VAC	EML4530A2G	EMLC4530A2G
50	3/4"	120-277VAC	EML5030A2G	EMLC5030A2G

EML SERIES CEILING WITH OPTIC AND GUARD ①				
WATTS	HUB SIZE②	VOLTAGE④	FLUTED GLOBE & GUARD	CLEAR GLOBE & GUARD*
40	3/4"	120-277VAC	EML4030X2G	EMLC4030X2G
45	3/4"	120-277VAC	EML4530X2G	EMLC4530X2G
50	3/4"	120-277VAC	EML5030X2G	EMLC5030X2G

EML SERIES WALL WITH OPTIC AND GUARD ①				
WATTS	HUB SIZE②	VOLTAGE④	FLUTED GLOBE & GUARD	CLEAR GLOBE & GUARD*
40	3/4"	120-277VAC	EML4030B2G	EMLC4030B2G
45	3/4"	120-277VAC	EML4530B2G	EMLC4530B2G
50	3/4"	120-277VAC	EML5030B2G	EMLC5030B2G

EML SERIES 25° STANCHION WITH OPTIC AND GUARD ①				
WATTS	HUB SIZE③	VOLTAGE④	FLUTED GLOBE & GUARD	CLEAR GLOBE & GUARD*
40	1-1/4"/1-1/2"	120-277VAC	EML4030D4G	EMLC4030D4G
45	1-1/4"/1-1/2"	120-277VAC	EML4530D4G	EMLC4530D4G
50	1-1/4"/1-1/2"	120-277VAC	EML5030D4G	EMLC5030D4G

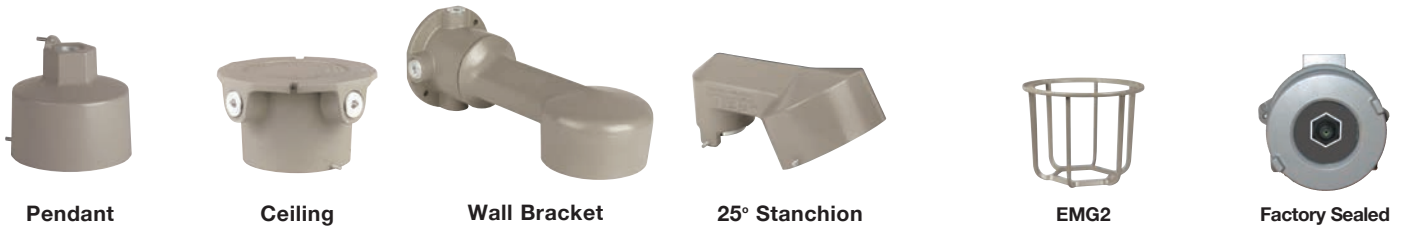
① Catalog numbers shown are with Guard; Omit G if guard not required e.g. EML4530A2.
 ② Catalog numbers shown are with 3/4" conduit openings; change "2" to "3" for 1" e.g. EML4530A3G.
 ③ Stanchion conduit hub size supplied is 1-1/2" with 1-1/2" to 1-1/4" reducer for 1-1/4" mounting (refer to catalog logic).
 ④ 120VAC through 277VAC 50/60Hz.
 * Exclusive from KILLARK - clear globe for maximum brightness.

LIGHTING

EML SERIES



EXPLOSION-PROOF - COMPONENTS & RATINGS



EZ MOUNTING BRACKETS				
CATALOG NUMBER				HUB SIZE
PENDANT	CEILING	WALL	STANCHION	
EZA2	EZX2	EZB2	—	3/4"
EZA3	EZX3	EZB3	—	1"
—	—	—	EZD4*	1-1/4" / 1-1/2"*

* 1-1/2" furnished with 1-1/2" - 1-1/4" reducer

EML - EMLC LED ACCESSORIES	
DESCRIPTION	CATALOG NUMBER
Guard ^①	EMG2
Dome Reflector ^②	ERSD30
Angle Reflector ^②	ERA30
CIDI C2D1 N4X Photocell 120VAC	VMHKPC1
CIDI C2D1 N4X Photocell 208-277VAC	VMHKPC2
Replacement Fluted Globe & Support	EMGS3
Replacement Clear Globe & Support	EMGS2
Adapter to old Killark "H" Series or Crouse Hinds [®]	EAC/EACH ^③

- ① Guards are cast of copper-free aluminum with electrostatically applied epoxy/polyester.
- ② Reflectors are aluminum with white finish.
- ③ Adapters for discontinued Killark "H" Series and Crouse Hinds[®] available. See page L200 for more information.



EML(C) LED HOUSINGS & GLOBE, DRIVERS AND LEDS - ELECTRICAL RATINGS						TOTAL LUMEN OUTPUT	
CAT. NO.	VOLTAGE 50/60HZ	WATTAGE	AMPS 120/277	CIL ^④	WEIGHT	EML FLUTED	EMLC CLEAR
EML(C)4030	120-277VAC	40	.36/.16	5490	26 LBS	3479	3750
EML(C)4530	120-277VAC	49.4	.412/.178	3960	26 LBS	2880	2930
EML(C)5030	120-277VAC	50	.43/.18	7656	26 LBS	5740	5741

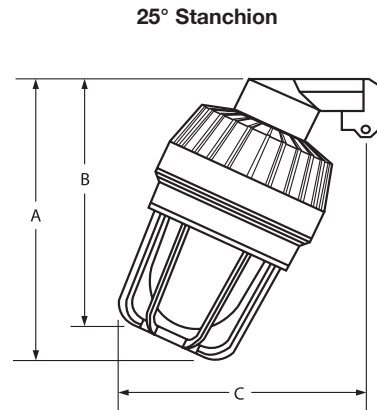
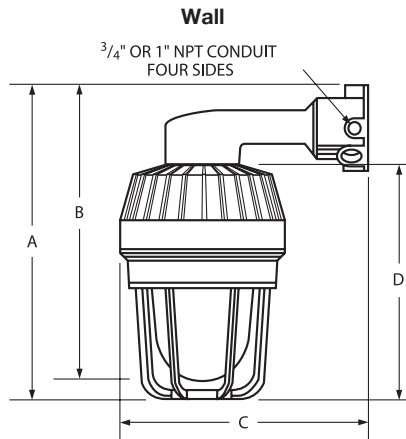
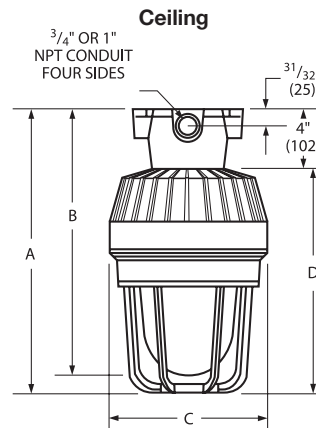
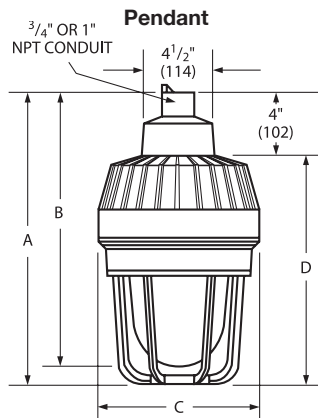
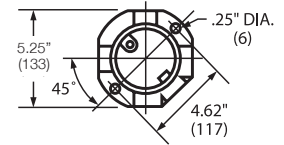
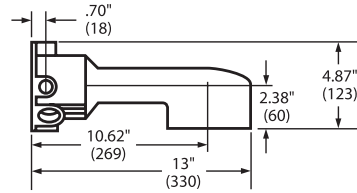
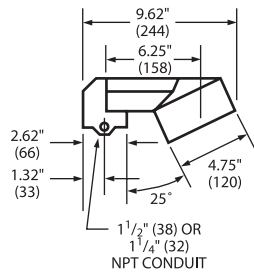
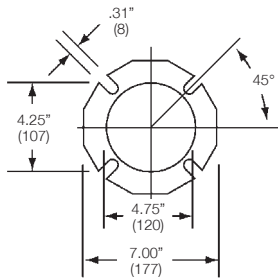
④ CIL = Calculated Initial Lumens of LED component based on mfg. data and driver current INSIDE the optic. This value is provided as a reference only for comparison to traditional light sources such as incandescent, HID, or fluorescent which use initial values in "relative" photometry. KILLARK LED luminaires are tested using the Absolute photometry method (LM79-08), which calculates delivered lumens only. KILLARK's LED luminaires provide very bright white 5000° K (CCT) color and can appear brighter than traditional light sources with higher lumen values under both photopic and scotopic conditions.

THERMAL PERFORMANCE DATA				L70		
CAT. NO.	AMBIENT	C1D1/C1Z1	C2D1	TM-21 ^⑤	CALCULATED	SUPPLY WIRE
EML(C)4030	40°C	T6	T4A (EFG)	60100	270000	75° C
EML(C)4030	55°C	T6	T4 (EFG)	60100	270000	90° C
EML(C)4530	40°C	T6	T4A (EFG)	60100	60400	75° C
EML(C)4530	55°C	T6	T4 (EFG)	60100	60400	90° C
EML(C)5030	40°C	T6	T4A (EFG)	72600	278000	75° C
EML(C)5030	55°C	T6	T4 (EFG)	72600	278000	90° C

⑤ TM-21 based values require very long duration testing. The TM-21/L70 "official reported" value is based on at least 10,000 hours testing (at time of printing) at 1000mA to 1500mA drive current, depending on LED chip utilized. "Reported L70" is a factor of test duration. KILLARK's VM4LC/B series utilizes lower 700mA maximum drive current - "calculated" values by the major chip vendors utilized predict L70 life up to 278,000 hours even at 1000mA.



EXPLOSION-PROOF - DIMENSIONS & WEIGHTS



EML(C) DIMENSIONS				
TYPE	A	B	C	D
Pendant	15-15/16" (404)	15-1/16" (382)	8-13/16" (224)	11-15/16" (303)
Ceiling	15-15/16" (404)	15-1/16" (382)	8-13/16" (224)	11-15/16" (303)
Wall	16-13/16" (426)	15-15/16" (404)	15" (379)	11-15/16" (303)
Stanchion	15-1/8" (384)	14" (356)	13-1/2" (343)	

Typical Weights (lbs.) w/Standard Globe and Guard - EML (C) Series			
Pendant 29.33	Ceiling 31.79	Wall 33.25	Stanchion 30.94

LIGHTING

KFLC SERIES



COMPACT FLOOD - INTRODUCTION & LOGIC

RETURN to Index



Class I, Div. 2, Groups A,B,C,D
 Class I, Zone 2, Groups IIC, IIB, IIA
 Class II, Div. 1 & 2, Groups E,F,G
 Class III
 NEMA 4X

CSF US File LR11713

PETROBRIGHT® LED

FEATURES-SPECIFICATIONS

Applications

LED Compact Floods are designed for installations where moisture, dirt, dust, corrosion and vibration may be present, or NEMA 3 and 4X areas where wind, water, snow or high ambients can be expected. They can be used in locations made hazardous by the presence of flammable vapors or gases or combustible dusts as defined by the NEC.

Typical applications include spot lighting or walkways in manufacturing plants, and certain chemical and petrochemical processing facilities, sewage treatment plants, off-shore and dockside installations, garages and storage facilities

Compliances

- UL-8750 for LED lighting
- ANSI/UL 1598 (A)
- UL-844 Standard for lighting fixtures for hazardous locations, Class I, Division 1; Class II, Division 1; Class III
- CSA C22.2 no. 137-M1981 electric luminaires for use in hazardous locations
- Enclosed and gasketed
- NEMA 3, 4X, IP66

Materials

- Body and lens frame corrosion resistant copper-free aluminum alloy with baked powder epoxy/polyester finish, electrostatically applied for complete, uniform corrosion protection
- All external hardware - stainless steel
- Thermal shock and impact resistant extra heavy-duty glass lens
- High temperature silicone gasketing
- Trunnion heavy gauge galvanized steel with painted finish

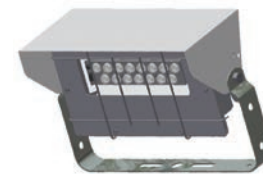
LED Flood Features and Standards

- One 3/4" NPT hub & R-21 3/4" x 1/2" reducer is standard
- Crisp White Light for Excellent Color Rendering - Chromaticity 5000 K (CCT); approx. 70 CRI
- Energy Savings - High lumens per watt
- Long Life - 80,000 maintenance free hours to 70% initial lumens
- Ambient suitability -40°C to 55°C
- Instant On - Including after power interruption
- Solder-LESS LED Board Connections - Vibration Resistant
- LM80-08* Measurement of lumen maintenance for LED light sources
- LM79-08* Certified "Absolute" Photometry, including Chromaticity Color for Solid State Lighting
- L70 Values - Industry Nomenclature for Hours of use to 70% of initial Lumens - TM-21* & calculated

Patented Fixture Design



KFLC with KFS-6 Slipfitter mount on 2" pipe



Dark Sky Visor KFLC-DARK

* LM-xx & TM-xx are Illumination Engineering Society Standards designed to promote uniformity in testing procedures among test labs and manufacturers. For more information go to www.ies.org

Catalog Number Logic

KFLC - Series Constant	KFLC	45	30	X X
LED Wattage				
15 - 15W	"30, 27 or 34" voltage codes			
18 - 18W	"30, 27 or 34" voltage codes			
20 - 20W	"30, 27 or 34" voltage codes			
23 - 23W	"30, 27 or 34" voltage codes			
30 - 30W	"30" voltage code 120 - 277VAC			
35 - 35W	"30" voltage code 120 - 277VAC			
40 - 40W	"30" voltage code 120 - 277VAC			
45 - 45W	"30" voltage code 120 - 277VAC			

Voltage	
30 - 120 - 277VAC 50/60Hz	
ⓐ27 - 12 - 24VDC input	
ⓐ34 - 120-250VDC input; 120-277VAC	
ⓐ15 - 23W only	

Options

- LY- Less Yoke for Surface Mount
- F- Single Fuse
- FF- 2 Fuses
- SP- Surge Protection
- TBL- Terminal Blocks Looping
- QD- QuickDisconnect
- D75- Dual 3/4" threaded NPT entry
- M25- Single M25 Slip-hole Entry
- D25- Two M25 Slip-hole Entry
- M20- Single M20 Slip-hole Entry
- D20- Dual M20 Slip-hole Entry
- PL- Polycarbonate Lens





COMPACT FLOOD - ORDERING & TECHNICAL DATA

Ordering Information and Ambient Suitability					CID2		CID2 Simultaneous		C2D1	
Catalog No.	Watts	Voltage**	Amps	Lumens*	40°C	55°C	40°C	55°C	40°C	55°C
KFLC1527	15	12VDC through 24VDC	.13/.06	1465*	T6	T6	T4	T3B	T4A	T4A
KFLC1827	18		.15/.07	1830*	T6	T6	T4	T3B	T4A	T4A
KFLC2027	20		.17/.08	2170*	T6	T6	T4	T3B	T4A	T4A
KFLC2327	23	120VDC through 250VDC	.19/.09	2550*	T6	T6	T4	T3B	T4A	T4A
KFLC1534	15		1.3/.63	1465*	T6	T6	T4	T3B	T4A	T4A
KFLC1834	18		1.5/.75	1830*	T6	T6	T4	T3B	T4A	T4A
KFLC2034	20	120VAC through 277VAC	1.7/.83	2170*	T6	T6	T4	T3B	T4A	T4A
KFLC2334	23		1.9/.96	2550*	T6	T6	T4	T3B	T4A	T4A
KFLC3030	30	120VAC through 277VAC	.26/.11	2662	T6	T6	T4	T3B	T4A	T4A
KFLC3530	35		.30/.13	3302	T6	T6	T4	T3B	T4A	T4A
KFLC4030	40		.34/.15	4039	T6	T6	T4	T3B	T4A	T4A
KFLC4530	45		.38/.17	4718	T6	T6	T4	T3B	T4A	T4A
Supply Wire Temperature					75°C	70°C	75°C	90°C	75°C	90°C

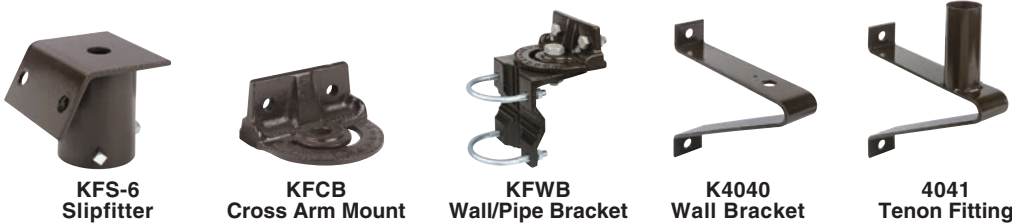
*KFLC 30-45w Lumens are LM-79 absolute photometry. 15-23W are calculated based on driver output current.

Highlighted are extra high Lumens per watt LED models.

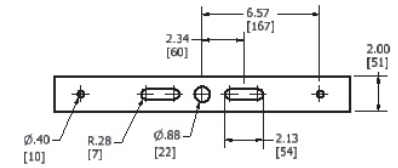
**All wattages are available as "30" voltage code 120-277VAC.

Efficacy	L70 Calculated	LM TM-21***
High L/W models	150,000+	60,100
Extra High L/W models	150,000+	72,600

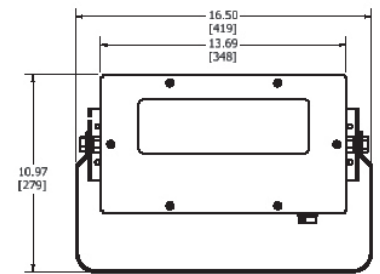
***TM-21 based values require very long duration testing. IES TM-21 "official reported" is based on the # of hours of LED chip manufacturer's LM-80 Lab Testing (minimum 10,000 hours at time of printing).



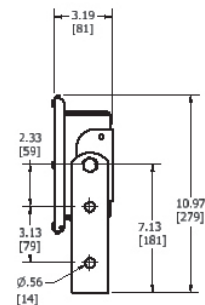
Dimensions



Trunnion Mounting Detail



Front



Side

KFL Mounts and Accessories①	
CATALOG NUMBER	DESCRIPTION
KFLC-DARK②	Reflector for field addition - No uplight at 45° to 70°
KFLCG	Guard
KFLC-DOOR	Replacement Door Assembly
NWP-HUBA	3/4" Aluminum Hub; Replacement or Additional (Max. 4)
VMSC10③	Safety Cable (through yoke)
KFS-6	Steel Slipfitter for 2" Pipe (2-3/8" o.d.) Tenon. Slips 3.75" Over Pipe.
KFCB	Heavy Duty Cast-Iron Crossarm Fitting for Horizontal Trunnion
KFWB	Heavy Duty Wall Mount and/or Pipe Clamp Fitting Clamps 2" Pipe (2-3/8" o.d.) Through 2-1/2" Pipe (2-7/8" o.d.)
K4040	Heavy Duty Steel Wall Bracket. (Must be with KFCB Crossarm Fitting).
4041	Heavy Duty Steel Wall Bracket 2" Pipe (2-3/8" o.d.) Tenon Fitting.

① Fittings available to adapt trunnion mount floodlights to crossarms, poles and walls. Must be ordered separately.

② Drop limit 1'. Attaches to luminaire cable provision and to mounting structure.

③ Designed to eliminate uplight when aimed at 70°.

Typical Weights (lbs.) Including Yoke - KFLC Series 9.50



LIGHTING

KFL SERIES



C1D2 FLOOD - INTRODUCTION & LOGIC

RETURN to Index



Class I, Div. 2, Groups A,B,C,D
Class II, Div. 1&2, Groups EFG
Class III
 Suitable for wet locations
 Marine
NEMA 3, 4X, IP66

File LR11713

IEC Ex Rated model (w/IEX suffix)
 Zone 2 and Zone 21 areas
 Ex nA IIC T6 to T3, Gc
 Ex tb IIIC T160°C Db
 Tamb -50°C ≤ Ta ≤ +55°C, IP66
 IECEx Certificate CSA 14.0002X
 ATEX Pending

PETROBRIGHT™ LED

FEATURES-SPECIFICATIONS

Applications

LED Floods are designed for installations where moisture, dirt, dust, corrosion and vibration may be present, or NEMA 3 and 4X areas where wind, water, snow or high ambients can be expected. They can be used in locations made hazardous by the presence of flammable vapors or gases or combustible dusts as defined by the NEC.

Typical applications include manufacturing plants, and certain chemical and petrochemical processing facilities, sewage treatment plants, off-shore and dockside installations, garages and storage facilities

Compliances

- UL-8750 for LED lighting
- ANSI/UL 1598(A)
- UL-844 Standard for lighting fixtures for hazardous locations, Class I, Division 2; Class II, Divisions 1 and 2; Class III
- CSA C22.2 no. 137-M1981 electric luminaires for use in hazardous locations
- Enclosed and gasketed
- NEMA 3, 4X, IP66
- IEX suffix for Zone 2/21 to IEC 60079-0, 60079-15, 60079-31 Standards

Materials

- Body, end caps and lens frame corrosion resistant copper-free aluminum alloy with baked powder epoxy/polyester finish, electrostatically applied for complete, uniform corrosion protection
- All external hardware - stainless steel
- Thermal shock and impact resistant glass or polycarbonate lens
- High temperature silicone gasketing
- Trunion heavy gauge galvanized steel with painted finish

LED Flood Features and Standards

- Crisp White Light for Excellent Color Rendering - Chromaticity 5000° K (CCT); approx. 70 CRI
- Energy Savings - High lumens per watt
- Long Life - to 150,000 maintenance free hours to 70% initial lumens
- Ambient suitability -50°C to 55°C
- Instant On - Including after power interruption
- World Voltage 120 - 277VAC 50/60Hz
- Solder-LESS LED Board Connections - Vibration Resistant
- LM80-08* Measurement of lumen maintenance for LED light sources
- LM79-08* Certified "Absolute" Photometry, including Chromaticity Color for Solid State Lighting
- L70 Values - Industry Nomenclature for Hours of use to 70% of initial Lumens - TM-21 & Calculated

PATENTED LUMINAIRE DESIGN

KFL with KFS-6 Slipfitter mount on 2" pipe



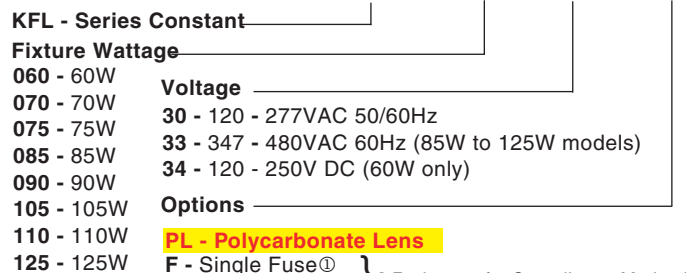
Dark Sky Visor KFL-DARK

*LM-xx & TM-xx are Illumination Engineering Society Standards designed to promote uniformity in testing procedures among test labs and manufacturers. For more information go to www.ies.org

Supplemental surge protection included as standard for AC models only

Units include Qty. 3 6mm terminals plus external ground as standard

Catalog Number Logic



Construction Note: Models with dual metric entries are tapped with one plugged. Standard 3/4" NPT entry will be plugged.



Consult website for current list of approved luminaires

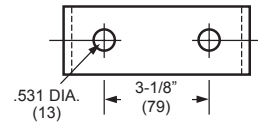




C1D2 FLOOD - ORDERING INFORMATION & TECHNICAL DATA

Ordering Information and Ambient Suitability				C1D2 ⑤		C1D2 ⑤ Simultaneous		C2D1 ⑤		IEC Zone 2 ⑤		IEC Zone 21 ⑤⑥	
Catalog No. ①②	Watts	Amps 120/277③	Delivered Lumens	40C	55C	40C	55C	40C	55C	40C	55C	40C	55C
KFL06030	60	0.5/0.2	6111	T6	T5	T3C	T3C	EFG	EFG	T6	T5	145/70	160/85
KFL07030	70	0.6/0.3	9742④	T6	T5	T3C	T3C	EFG	EFG	T6	T5	145/70	160/85
KFL07530	75	0.6/0.3	7454	T6	T5	T3C	T3C	EFG	EFG	T6	T5	145/70	160/85
KFL08530	85	0.7/0.3	10840④	T6	T5	T3C	T3C	EFG	EFG	T6	T5	145/70	160/85
KFL09030	90	0.8/0.4	9023	T6	T5	T3C	T3C	EFG	EFG	T6	T5	145/70	160/85
KFL10530	105	0.9/0.4	10370	T4A	T4A	T3C	T3C	EFG	EFG	T4	T4	145/70	160/85
KFL11030	110	0.9/0.4	13780④	T6	T5	T3C	T3C	EFG	EFG	T6	T5	145/70	160/85
KFL12530	125	1.0/0.5	15340④	T6	T5	T3C	T3C	EFG	EFG	T6	T5	145/70	160/85

Dimensions

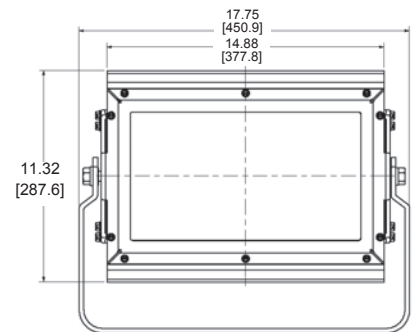


Trunnion Mounting Detail

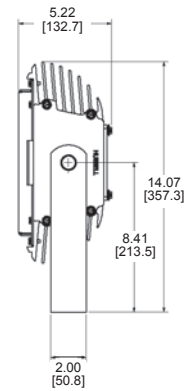
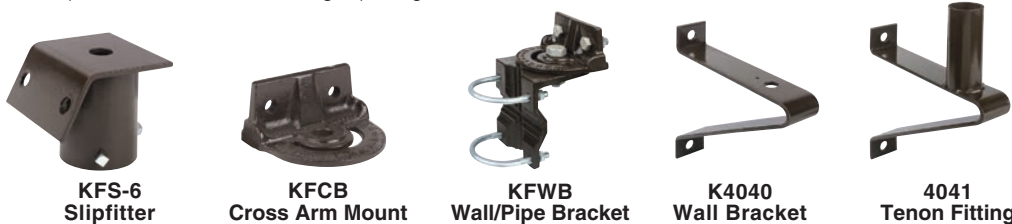
- ① Shipping weight Approx. 30lbs
- ② Cat. nos. are 120-277VAC models, see logic for 347-480V.
- ③ Amperage measured at 120VAC; 277VAC calculated
- ④ Extra high Lumens per Watt LED models
- ⑤ Use 75° minimum Supply Wire @40°C Ambient; 90 @55°C Ambient
- ⑥ First number is lens temperature under 25mm layer of dust; Second number is lens temp. for dust cloud.

Efficacy	L70 Calculated	L70 TM-21**
Extra High L/W Models	150,000 Hours to 70% Initial	72,600 Hours Official Reported
High L/W Models	150,000 Hours to 70% Initial	60,100 Hours Official Reported

**TM-21 based values require very long duration testing. IES TM-21 "official reported" is based on at least 10,000 hours of LED chip manufacturer's LM-80 Testing at printing.



Front



Side

KFL Mounts and Accessories①	
CATALOG NUMBER	DESCRIPTION
KFS-6	Steel Slipfitter for 2" Pipe (2-3/8" o.d.) Tenon. Slips 3.75" Over Pipe.
KFCB	Heavy Duty Cast-Iron Crossarm Fitting for Horizontal Trunnion
KFWB	Heavy Duty Wall Mount and/or Pipe Clamp Fitting Clamps 2" Pipe (2-3/8" o.d.) Through 2-1/2" Pipe (2-7/8" o.d.)
K4040	Heavy Duty Steel Wall Bracket. (Must be with KFCB Crossarm Fitting).
4041	Heavy Duty Steel Wall Bracket 2" Pipe (2-3/8" o.d.) Tenon Fitting.
KFLG⑥	Wire Guard, 316 Stainless Steel (not used with KFL-DARK)
VMSC10 ②	10' Stainless Steel Safety Cable with loop grip
KFL-DARK ③⑥	Dark Sky Visor, White Painted Aluminum (not used with KFLG)
KFL-DOOR	Replacement Door and Lens Assembly (for units w/o internal reflectors)
KFL-DOOR2④⑤	Replacement Internal Reflector and Lens Assembly

- ① Fittings available to adapt trunnion mount floodlights to crossarms, poles and walls. Must be ordered separately.
- ② Drop limit 1'. Attaches to luminaire cable provision and to mounting structure.
- ③ Designed to eliminate uplight when aimed at 45°.
- ④ Only for models factory supplied with internal reflector.
- ⑤ Not backward compatible with units originally shipped without internal reflector.
- ⑥ KFLG and KFL-DARK cannot be used together.

Typical Weights (lbs.) Including Yoke - KFL Series 30.00



LIGHTING

KF1L SERIES



C1D1 FLOOD - INTRODUCTION & LOGIC

RETURN to Index



Class I, Div. 1&2, Groups B,C,D
Class I, Zone 1&2, Groups IIB+H2, IIA
Class II, Div. 1&2, Groups EFG, Class III
Enclosure Type 4X, IP66 (-50°C to +55°C)

File LR11713

IEC Ex Rated model (w/IEX or IEX4B suffix) Zone 1, Zone 21
Ex de IIB+H2 T6..T5, Gb, IP66
Tamb -20°C ≤ Ta ≤ +55°C; Option LT for -50°C ≤ Ta ≤ +55°C[Ⓞ]
Ex de IIB T6..T5, Gb, -50°C ≤ Ta ≤ +55°C[Ⓞ]
Ex tb IIIC T90°C Db, -50°C ≤ Ta ≤ +55°C[Ⓞ]
Certificate IECEX CSA 14.0010
ATEX Certificate SIRA14ATEX1159

PETROBRIGHT® LED

FEATURES-SPECIFICATIONS

Applications

LED KF1L Series Explosion-proof Floods are designed for installations where moisture, dirt, dust, corrosion and vibration may be present, or NEMA 3 and 4X areas where wind, water, snow or high ambients can be expected. They can be used in locations made hazardous by the presence of flammable vapors or gases or combustible dusts as defined by the NEC.

Typical applications include manufacturing plants, and certain chemical and petrochemical processing facilities, sewage treatment plants, off-shore and dockside installations, garages and storage facilities

Compliances

- UL-8750 for LED lighting
- ANSI/UL 1598A
- UL-844 Standard for lighting fixtures for hazardous locations, Class I, Division 1; Class II, Division 1; Class III
- CSA C22.2 no. 137-M1981 electric luminaires for use in hazardous locations
- IEX or IEX4B suffix for Zone 1 and Zone 21 to IEC 60079-0, 60079-1, 60079-31, 60079-7 Standards
- Enclosed and gasketed
- NEMA 3, 4X, IP66

Materials

- Body, end caps and lens frame corrosion resistant copper-free aluminum alloy with baked powder epoxy/polyester finish, electrostatically applied for complete, uniform corrosion protection
- All external hardware - stainless steel
- Thermal shock and impact resistant extra heavy-duty glass lens
- High temperature silicone gasketing
- Trunnion heavy gauge 316 SS

LED Flood Features and Standards

- **Factory Sealed Construction**
- Two 3/4 NPT entries (see logic for other choices)
- **Supplemental surge protection (AC models 120-277VAC only) and looping terminals are standard**
- Crisp White Light for Excellent Color Rendering - Chromaticity 5000 K (CCT); approx. 70 CRI
- Energy Savings - High lumens per watt
- Long Life - 80,000 maintenance free hours to 70% initial lumens
- Instant On - Including after power interruption
- World Voltage 120 - 277VAC 50/60Hz
- Solder-LESS LED Board Connections - Vibration Resistant
- LM80-08* Measurement of lumen maintenance for LED light sources
- LM79-08* Certified "Absolute" Photometry, including Chromaticity Color for Solid State Lighting
- L70 Values - Industry Nomenclature for Hours of use to 70% of initial Lumens - TM-21* & calculated

Patent Pending Fixture Design



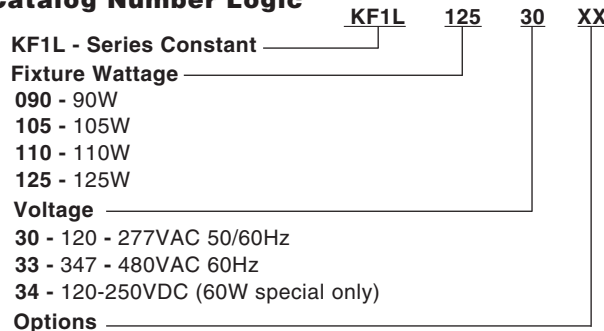
KF1L with KFS-6 Slipfitter mount on 2" pipe



Dark Sky Visor KF1L-DARK

* LM-xx & TM-xx are Illumination Engineering Society Standards designed to promote uniformity in testing procedures among test labs and manufacturers. For more information go to www.ies.org

Catalog Number Logic



- IEX4B-** Four bolt termination cover (see Note 1)
- LT-** For -50°C to +55°C, IEC Zone 1 (see Note 1)
- F-** Single Fuse **FF-** Double Fuse *Fusing not for Canadian or Marine Installations*
- D20-** Dual M-20 Entries **D25-** Dual M-25 Entries
- C-** Canada C1D1/C1Z1 (8 bolt terminal cover)

ⓄConstruction/Certification Notes:
 KF1L units are standard with two 3/4" NPT hubs (1 plugged) and an 8-bolt factory sealed termination chamber, suitable for CID1 BCD -50°C to +55°C and IEC Zone 1 Ex de suitable for -20°C to 55°C.

Use option LT for models needing IEC Zone 1, -50°C to +55°C suitability for hydrogen. Option IEX4B utilizes 4 terminal cover bolts for Ex de and maintains all ratings **EXCEPT CID1 BCD.**

See logic for other entry options

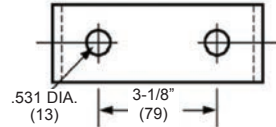




C1D1 FLOOD - ORDERING & TECHNICAL DATA

Ordering Information and Ambient Suitability					NEC				IEC			
					CID1④⑤⑥		C2D1④⑤⑥		Zone 1④		Zone 21④⑦	
Catalog No.①	Watts	Voltage②	Amps 120/277③	Lumens	40°C	55°C	40°C	55°C	40°C	55°C	40°C	55°C
KF1L09030	90	120VAC	.72/.31	7182	T6	T6	EFG	⑤	T6	T5	160/75	175/90
KF1L10530	105	through	.85/.37	8362	T6	T6	EFG	⑤	T6	T5	160/75	175/90
KF1L11030	110	277VAC	.95/.41	10590	T6	T6	EFG	⑤	T6	T5	160/75	175/90
KF1L12530	125	50/60Hz	1.10/.48	11560	T6	T6	EFG	⑤	T6	T5	160/75	175/90

Dimensions

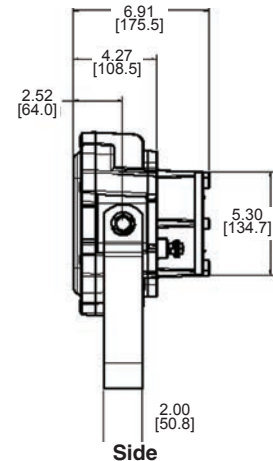
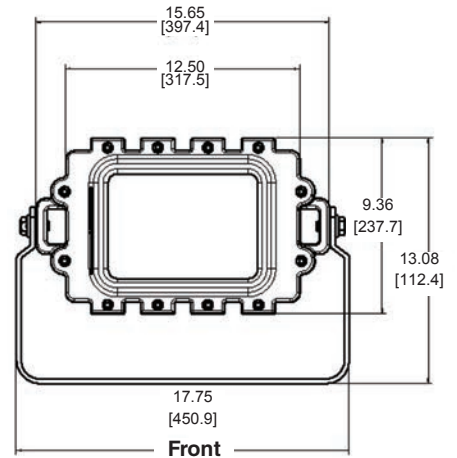
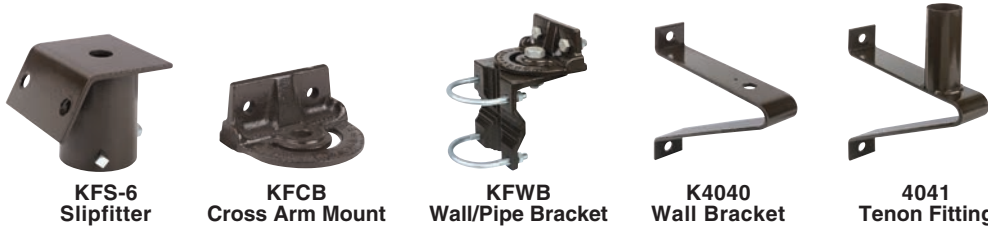


Trunnion Mounting Detail

- ① Shipping weight Approx. 46lbs; yellow highlighted models have extra high lumen LED's.
- ② See logic for 347-480V availability
- ③ Amperage measured at 120VAC; 277VAC calculated
- ④ Use minimum 75° Supply Wire @40°C Ambient; 90°@55°C Ambient
- ⑤ CID1 40°/55° & C2D1 40°C use Aiming Figure "A" below.
- ⑥ 55°C C2D1 EFG T3C Aiming Figure "B", 55° C2D1 EF T3A Aiming Figure "A"
- ⑦ First number is lens temperature under 25mm layer of dust; Second number is lens temp for dust cloud.

L70	Calculated	TM-21**
90 or 105W Models	150,000+	60,100
110 or 125W Models	150,000+	72,600

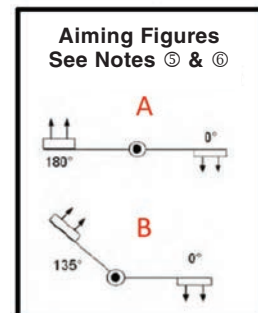
**TM-21 based values require very long duration testing. IES TM-21 "official reported" is based on at least 10,000 hours of LED chip manufacturer's LM-80 Testing (minimum 36,000, but continuing) at launch.



KFL Mounts and Accessories①	
CATALOG NUMBER	DESCRIPTION
KFS-6	Steel Slipfitter for 2" Pipe (2-3/8" o.d.) Tenon. Slips 3.75" Over Pipe.
KFCB	Heavy Duty Cast-Iron Crossarm Fitting for Horizontal Trunnion
KFWB	Heavy Duty Wall Mount and/or Pipe Clamp Fitting Clamps 2" Pipe (2-3/8" o.d.) Through 2-1/2" Pipe (2-7/8" o.d.)
K4040	Heavy Duty Steel Wall Bracket. (Must be with KFCB Crossarm Fitting).
4041	Heavy Duty Steel Wall Bracket 2" Pipe (2-3/8" o.d.) Tenon Fitting.
KF1LG	Wire Guard, 316 Stainless Steel
VMSC10②	10' Stainless Steel Safety Cable with loop grip
KF1L-DARK③	Dark Sky Visor, White Painted Aluminum
KF1L-DOOR	Replacement Door and Lens Assembly

- ① Fittings available to adapt trunnion mount floodlights to crossarms, poles and walls. Must be ordered separately.
- ② Drop limit 1'. Attaches to luminaire cable provision and to mounting structure.
- ③ Designed to eliminate uplight when aimed at 45°.

Typical Weights (lbs.) Including Yoke - KF1L Series 41.00





EMERGENCY BATTERY SYSTEM - INTRODUCTION

RETURN
to Index

EBS Battery Unit Only



HOSTILE^{ITE}® EBS

EMERGENCY

FEATURES-SPECIFICATIONS

Applications

Where required by the NEC (or local "Life Safety" code) for safe egress (over doors, aiseways, stairs, walkways, exit paths, and outer perimeter walls) to provide illumination during interruption of normal power to area lighting.

In indoor or outdoor locations made hazardous by the presence of flammable gas, vapors, or dusts. Includes refinery/chemical production and storage, grain processing, waste water treatment facilities and any area requiring heavy-duty dependable emergency lighting.

Exclusive Features

- LED Heads provide clear crisp illumination at 5000° Kelvin[Ⓢ]
- LED Head L70 value 100,000 hours for minimal maintenance
- Up to 500% brighter than competitive conventional units[Ⓢ]
- Enclosure Type 4 (NEMA 4) for wet and harsh locations
- Group B is standard when using EBSHK type heads
- Automatic Safety Disconnect - Removing main cover disconnects battery power
- Ambient Suitability 0°C to 45°C Battery Unit; Heads to 55°
- Compact unit requires only two mounting points
- World Voltage 120-277 VAC 50/60Hz input

Other Features

- High % of lumens maintained during 90 minute egress cycle
- EBSHK type heads are fully adjustable on unit or remote when ordered with RFSL Factory Sealed mounting kits

- EBSEL type heads are factory sealed on their EZ type mounting boxes
- Heads can be remote mounted over 300' from battery unit
- Ni-Cad sealed batteries provide 90 minutes of illumination
- Integral base unit LED pilot light indicates AC power is present
- Choice of Integral or Remote Push-To-Test station to verify system operation
- Vapor Capsule to inhibit corrosion is standard with main enclosure unit
- Terminal Blocks identified for incoming and outgoing connections

Compliances

- UL 1598 Standard for Luminaires
- UL 8750 for LED Lighting
- UL 844 Luminaires for Hazardous Locations
- UL 1203 Explosion-Proof/Dust-Ignition-Proof Electrical Enclosures
- UL 924 Emergency Lighting
- CSA C22.2 no. 137-M1981 Luminaires for Hazardous Locations
- CSA C22.2 no. 30-M1986 C1D1 Enclosures
- CSA 22.2 no. 25-1066 C2D1 EFG Enclosures
- Enclosure Type 4
- NEMA 4, 7B[Ⓢ]CD, 9EFG

Materials

- Main Enclosure and Heads Copper Free Aluminum alloy with Baked Powder epoxy/polyester finish, electrostatically applied for complete, uniform corrosion protection
- Attachment fittings copper-free aluminum
- External hardware 316 Stainless Steel
- EBSEL reflectors EXIT accessory aluminum with white paint

The EBS23 System Requires EXACTLY 2 Heads for operation (total attached or remote); each Head is approximately 30VDC, 10Watts.

Class I, Div. 1&2, Groups B[Ⓢ],C,D
Class I, Zone 1&2, Groups IIB+H2[Ⓢ], IIA
Class II, Div. 1&2, Groups EFG
Class III
Enclosure Type 4 (NEMA 4, 7B[Ⓢ] CD, 9EFG)

 File LR11713

Notes

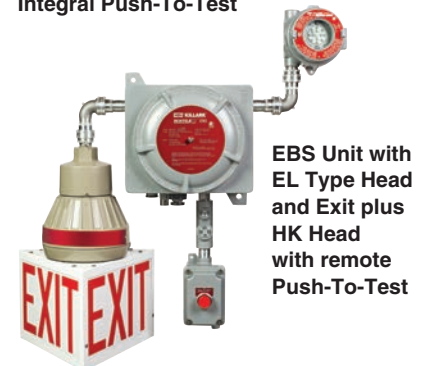
- Ⓢ Main EBS unit is CID1 Grp B (Suitable Zone 1 IIB+H2) with attached EBSHK heads or no heads; with attached EBSEL heads unit is CID1 Groups CD (Suitable Zone 1 IIB, IIA)
- Ⓢ See VSL Series Photometry Color Graphs; 5000° Kelvin is typical ("sunlight")
- Ⓢ Based on published tungsten/incandescent data EBSEL Heads 300% brighter; EBSHK Heads 500% brighter



EBS Unit with HK Type Heads and Integral Push-To-Test



EBS Unit with EL Type Heads and Integral Push-To-Test



EBS Unit with EL Type Head and Exit plus HK Head with remote Push-To-Test



EMERGENCY BATTERY SYSTEM - LOGIC & COMPONENTS

Catalog Number Logic

	<u>EBS23DH</u>	-	<u>P</u>		<u>T</u>		<u>A</u>		<u>D</u>
EBS23DH	Series Constant 120-277V 50/60Hz 23W								
	Dual-Head (Remote or Attached)								
Test Options	_____								
P	Push-To-Test on Enclosure								
R	Remote Push-To-Test Station (EBS-PTT shipped separately)								
N	None - ordered separately or breaker controlled								
Time Delay Option	_____								
T	Power Resumption Emergency Time-delay (Factory set approx. 15 min.) 120 thru 277V								
N	No Time-Delay								
Luminaire Head Options ①②	_____								
N	No heads - For Remote Heads Ordered Separately								
A	2 EBSHK1030 Heads Factory Attached								
B	2 EBSEL1030 Heads (Less Guards) and Fittings for Attachment								
BG	2 EBSEL1030 Heads with Guards and Fittings for Attachment								
BE	2 EBSEL1030 Heads with 1 Guard and 1 HEXA-100 EXIT and Fittings for Attachment								
C	1 EBSHK1030 Head Attached and 1 EBSEL1030 Head (Less Guard) and Fittings for Attachment								
CG	1 EBSHK1030 Heads Attached and 1 EBSEL1030 Head with Guard and Fittings for Attachment								
CE	1 EBSHK1030 Heads Attached and 1 EBSEL1030 Head with HEXA-100 EXIT and Fittings for Attachment								
D	1 EBSHK1030 Only (2nd Head Remote - Ordered Separately)								
E	1 EBSEL1030 Only Less Guard and Fittings for Attachment (2nd Head Remote - Ordered Separately)								
EG	1 EBSEL1030 Only with Guard and Fittings for Attachment (2nd Head Remote - Ordered Separately)								
EE	1 EBSEL1030 Only with HEXA100 EXIT and Fittings for Attachment (2nd Head Remote - Ordered Separately)								
Drain ③	_____								
D	Group B Drain for Wet Applications including condensation from heat <-> cold cycling								
Blank	Not included								

① Main Enclosure nameplate does not reflect heads ordered; unit is Dual Marked with ratings dependent on heads attached. E.g. if No heads or EBSHK only head(s) attached then unit is C1D1 Groups BCD; if an EBSEL head is attached then unit is Groups CD.
 ② Units ordered with EBSHK heads are shipped with heads attached; EBSEL heads are shipped separately.
 ③ Drain packed in enclosure with vapor capsule.



Factory Sealed Remote LED Spot Light - Bottom Feed



Factory Sealed Remote LED Spot Light - Side Feed



Remote Push-To-Test Station



Remote LED Luminaire

EBS Unit - Bottom Detail



- ① **Optional Push-To-Test**
- ② **Optional Group B Drain**
- ③ **Standard Pilot Light**
- ④ **Entry for Remote P-T-T Station**
- ⑤ **Power Entry (also on top)**

The EBS23 System Requires EXACTLY 2 Heads for operation (total attached or remote); each Head is approximately 30VDC, 10Watts.

LIGHTING

EBS SERIES



EMERGENCY BATTERY SYSTEM - PRE-CONFIGURED UNITS



Class I, Div. 1&2, Groups B[Ⓛ], C, D
 Class I, Zone 1&2, Groups IIB+H2[Ⓛ], IIA
 Class II, Div. 1&2, Groups EFG
 Class III
 Enclosure Type 4 (NEMA 4, 7B[Ⓛ] CD, 9EFG)

File LR11713

ORDERING INFORMATION

Integral Push-To-Test		Remote Push-To-Test	
EBS System with Two EBSHK Heads ②③ CID1BCD			
Integral PTT, Two EBSHK	Integral PTT, TDR , Two EBSHK	Remote PTT, Two EBSHK	Remote PTT, TDR , Two EBSHK
EBS23DH-PNA	EBS23DH-PTA	EBS23DH-RNA	EBS23DH-RTA
EBS System with Two EBSEL Heads with Guards ②③ CID1CD			
Integral PTT, Two EBSEL Heads w/ Guards	Integral PTT, TDR , Two EBSEL Heads w/ Guards	Remote PTT, Two EBSEL Heads w/ Guards	Remote PTT, TDR , Two EBSEL Heads w/ Guards
EBS23DH-PNBG	EBS23DH-PTBG	EBS23DH-RNBG	EBS23DH-RTBG
EBS System with One EBSHK Head & 1 EBSEL Head with Guard ②③ CID1CD			
Integral PTT, One EBSHK & One EBSEL Head w/ Guard	Integral PTT, TDR , One EBSHK & One EBSEL Head w/ Guard	Remote PTT, One EBSHK & One EBSEL Head w/ Guard	Remote PTT, TDR , One EBSHK & One EBSEL Head w/ Guard
EBS23DH-PNCG	EBS23DH-PTCG	EBS23DH-RNCG	EBS23DH-RTCG
EBS System with Two EBSEL Heads One with EXIT ②③ CID1CD			
Integral PTT, Two EBSEL Heads, One w/EXIT, One w/ Guard	Integral PTT, TDR , Two EBSEL Heads, One w/EXIT, One w/ Guard	Remote PTT, Two EBSEL Heads, One w/EXIT, One w/ Guard	Remote PTT, Two EBSEL Heads, One w/EXIT, One w/ Guard
EBS23DH-PNBE	EBS23DH-PTBE	EBS23DH-RNBE	EBS23DH-RTBE
EBS System with One EBSHK Head & One EBSEL Head with EXIT ②③ CID1CD			
Integral PTT, One EBSHK Head, One EBSEL w/EXIT	Integral PTT, TDR , One EBSHK Head, One EBSEL w/EXIT	Remote PTT, One EBSHK Head, One EBSEL w/EXIT	Remote PTT, TDR , One EBSHK Head, One EBSEL w/EXIT
EBS23DH-PNCE	EBS23DH-PTCE	EBS23DH-RNCE	EBS23DH-RTCE
EBS System Only for Remote Heads (order two separately) ②③ CID1BCD			
Integral PTT, No Heads	Integral PTT, TDR , No Heads	Remote PTT, No Heads	Remote PTT, TDR , No Heads
EBS23DH-PNN	EBS23DH-PTN	EBS23DH-RNN	EBS23DH-RTN

- ① Main EBS unit is CID1 Grp B (Suitable Zone 1 IIB+H2) with attached EBSHK heads or no heads; with attached EBSEL heads unit is CID1 Groups CD (Suitable Zone 1 IIB, IIA)
- ② Use catalog logic for single attached head models and order required remote 2nd head separately. Note, for EXIT applications EBSEL heads must be ordered without guards.
- ③ PTT = Push-To-Test; **TDR** = Time Delay Relay (prox 15 minutes after power resumption).





EMERGENCY BATTERY SYSTEM - REMOTE HEADS & ACCESSORIES



EBSSEL1030 Remote Heads with Mount (Factory Sealed)				CID1CD; C2D1EFG	
10W 30VDC	Pendant 3/4" ①	Ceiling 3/4" ①	Wall 3/4" ①	Stanchion 1-1/2" ②	
With Guard	EBSSEL1030A2G	EBSSEL1030X2G	EBSSEL1030B2G	EBSSEL1030D4G	
Without Guard③	EBSSEL1030A2	EBSSEL1030X2	EBSSEL1030B2	EBSSEL1030D4	

EBSSEL1030 Components & Accessories - Description	Catalog Number
EBSSEL 10W 30V Head Only with LED's, Less Mount and Guard	EBSSEL1030
Guard	EMG1
Red Guard - used to signify remote fixture is for Emergency	EMG1-R③
EXIT Accessory - 3-sided white painted aluminum	HEXA-100③
Dome Reflector	ERSD15
Angle Reflector	ERA15
Sealed Fittings Set for attachment of Pendant EBSSEL to EBS23HD-xxx	EBS-AHFS
Replacement Globe and Support Assembly	EMGS1



Mounting Boxes				
Pendant	Ceiling	Catalog Number	Stanchion	Hub Size
EZA2	EZX2	EZB2	-	3/4"
EZA3	EZX3	EZB3	-	1"
-	-	-	EZD4④	1-1/4" / 1-1/2"

① For 1" pendant, ceiling and wall hubs, substitute "3" for "2" in catalog number; example: EBSSEL1030A3G.
 ② Stanchion conduit hub size supplied is 1-1/2" with 1-1/2" to 1-1/4" reducer for 1-1/4" mounting.
 ③ Order fixture without guard for use with HEXA-100 EXIT Accessory, or to order EMG1-R Red Guard.
 ④ For EBSSEL with Mount Dimensions, see EMI15 series in lighting section.

EBSHK1030 10W 30V Heads, Components & Accessories		CID1BCD; C2D1EFG
Description	Catalog Number	
EBSHK Head Only with LED's - Requires Field Seal ①	EBSHK1030	
EBSHK Head with ADJUSTABLE FACTORY SEALED "C" fittings set	EBSHK1030-RFSC	
EBSHK Head with ADJUSTABLE FACTORY SEALED "L" fittings set	EBSHK1030-RFSL	
Sealed Fittings Set for attachment of EBSHK to EBS23DH-xxx	EBS-AHFS	

① Seal purchased separately appropriate of area of use

EBS23DH Series Accessories - Description	Catalog Number
Remote Push-To-Test Station Group B 3/4" Feed-Thru w/Close Up Plug ①	EBS-PTT
Remote Push-To-Test Station with Lock Off, Group B 3/4" Feed-Thru ①	EBS-PTT-LO
Lock-Off for Integral Push-To-Test	GO10502
Sealed Fittings Set for attachment of EBSHK to GEBC-2 or GEBC-2	EBS-AHFS
Replacement Battery Pack and Electronics	KLBP01
Replacement Vapor Capsule for corrosion protection	EBS-VC

① EBS23DH requires conduit seals (purchased separately) exiting enclosure within 18"; EBS-PTT contains a N.C. contact and is Factory Sealed for C&D and up to 5' for Group B.



EBSSEL Shown with Exit Accessory



EBSSEL1030



EMG1



EMG1-R



ERSD15



ERA15



EMGS1



EBSHK1030



EBSHK1030-RFSL



EBSHK1030-RFSC



EBSHK1030-RFSC



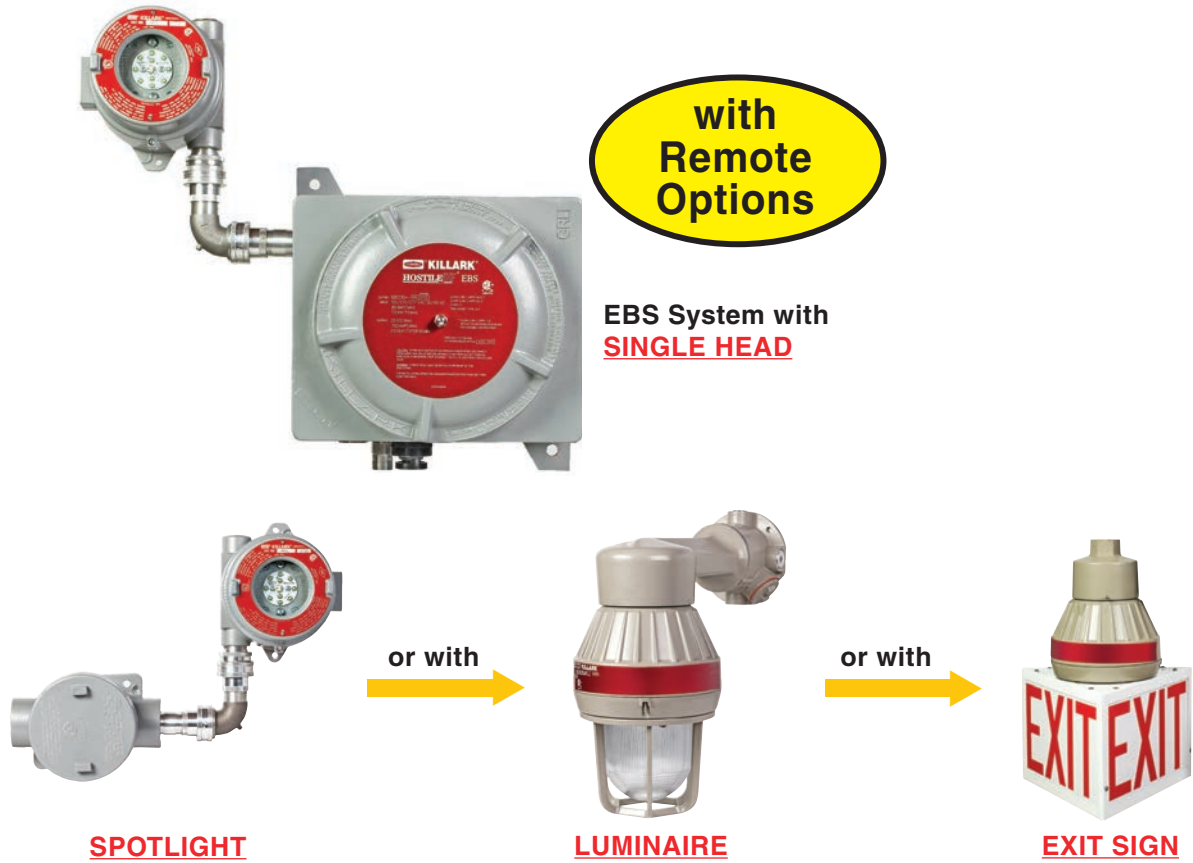
EBS-PTT

LIGHTING

EBS SERIES



EMERGENCY BATTERY SYSTEM - ELECTRICAL & TEMPERATURE DATA

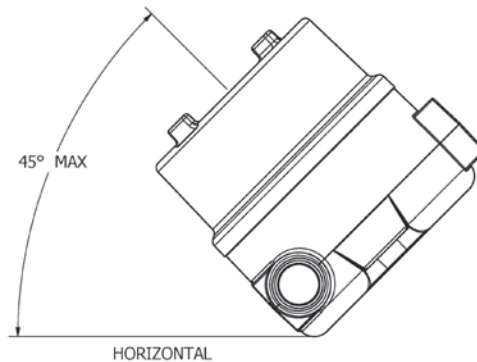


EBS23DH Electrical Data						
Catalog Number	Input**			Output**		
	Voltage	Watts	Current	Voltage	Watts	Current
EBS23DH	120-277VAC	7.5	.1 A	33VDC	23	700mA

** Figures nominal. Current is 350mA to each of 2 heads (2 heads are required for proper operation, remote or attached).

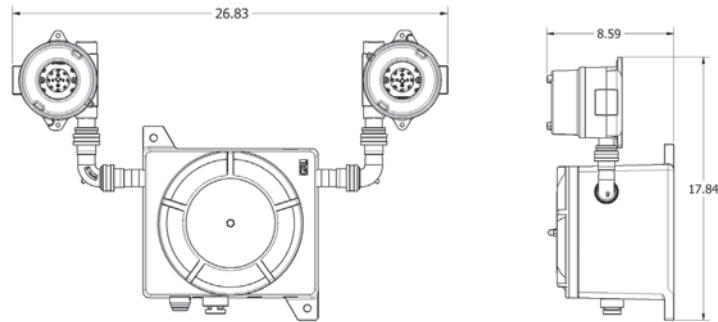
Thermal Performance Data					
Catalog Number	Ambient	CID1	CIID1	Suitability	Supply Wire
EBS23DH	45°C	T6	EFG	0-45°C	75°C
EBSEL1030	55°C	T6	EFG	-40 to 40°C	75°C
EBSHK1030	55°C	T6	EFG	-40 to 40°C	75°C

EBSHK Heads can be aimed up to 45 above horizontal - if flush on wall will require spacing out.

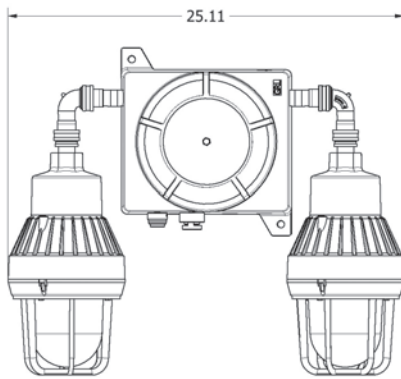




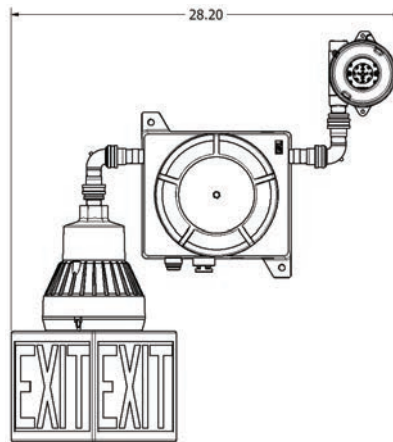
EMERGENCY BATTERY SYSTEM - DIMENSIONS & WEIGHTS



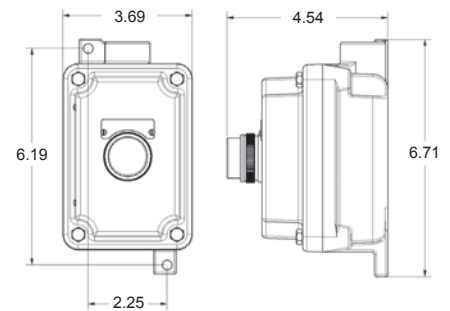
Dimensions - EBS with HK Heads



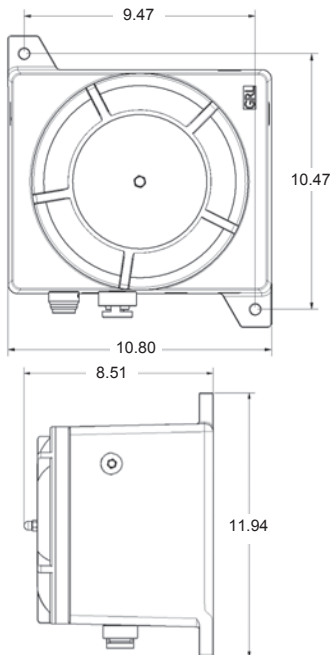
Dimensions - EBS with EL Heads



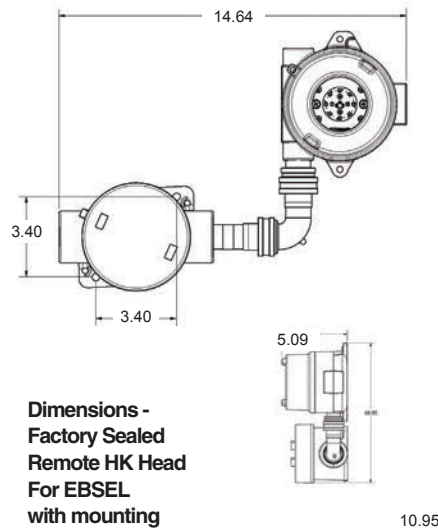
Dimensions - EBS with EL-EXIT & HK Heads



Dimensions - Remote Test Station



Dimensions - EBS Main Unit



Dimensions -
Factory Sealed
Remote HK Head
For EBSEL
with mounting
Dimensions,
see EM/15 in
lighting section.

Weights (shipping) Individual and Combinations ①	Lbs.
EGS23DH Main Unit Only	36.6
EBSEL1030 Pendant Head Only w/Fittings Set	12.3
EBSHK1030 Head Only w/Fittings Set	5.0
EBSHK1030-RFSC (or RFSL)	11.0
EBS-PTT	3.0
EBS-AHFS Factory Sealed Fittings Set	0.6
EBS23DH & 1 EBSHK w/Fittings	41.6
EBS23DH & 2 EBSHK w/Fittings	46.6
EBS23DH & 1 EBSEL w/Fittings	48.9
EBS23DH & 2 EBSEL w/Fittings	61.2
EBS23DH & 1 EBSEL & 1 EBSHK w/Fittings	53.9

① EBSEL Heads ship separately

What makes Killark LED products GREEN?



CERTiTE™ DESIGN LIGHTING DESIGN SOFTWARE

- Improved import/export of CAD files (DWG/DXF/PDF)
- Improved luminaire selection with images
- Calculations in "Real Time"
- User definable obstructions
- False Colors to indicate "Relative Brightness"
- Backward compatible with V4 project files

RETURN
to Index

Hubbell is committed to be a recognized leader in conserving natural resources to sustain our environment.



LED More Lumens per Watt

- Saves Energy compared to other lighting sources -

Fixture Type	Light Source	Line Wattage ^②	Delivered Lumens ^③	Lumens per Watt	Photometric Report
VM4L13030 ^①	LED	134.71	15630	116.0	BAL17067
VM4P200 ^①	MHP	232	18009	77.6	HK09919U
VM1L5030 ^①	LED	55.12	5824	105.7	BAL17122
VM1S050 ^①	HPS	62.0	3360	54.2	HPK009950
VM1H070 ^①	MH	90.0	4536	50.4	HPK009935
VQ1F5230 ^①	CFL	64.0	2736	42.8	LSI25349
VaporTight ^④	Incan.	150.0	2699	18.0	ET442841

- Saves Significant Maintenance Labor Time and \$ (fewer trips for relamping)

	Hours Life ^⑤	# Trips
Killark LED	60,000	1.0
50HPS	24,000	2.5
70MH, 200MHP	15,000	4.0
52CFL (2 x 26W)	10,000	6.0
150 Incan.	750	80.0

- Lower facility carbon footprint (emissions) by reducing electrician maintenance trips to fixture
- Service Trucks: direct diesel or gas emissions
- Forklifts, Sissor-lifts, or Cherry Pickers: use utility electricity to charge batteries, or gas
- High Color Rendering (5000°Kelvin - CCT; 70 CRI) for better visibility can reduce the number of fixtures needed.
- The US DOE recognizes "Spectrally Enhanced Lighting", particularly at low light levels, as a method to maintain visual effectiveness using fewer watts, e.g. vs HPS (2100°Kelvin - CCT; 21CRI).^⑥
- Killark LED luminaires use RoHS compliant materials to minimize environmental contamination

SEE The Difference Visually & Economically

- High Color Rendering for better visibility and less fixtures



125W LED Floodlight
(128W Actual)

Photopic 165 Lux;
Spectral 285 Lux *

Visually Effective lux 251 *



250W HPS Floodlight
(280W Actual)

Photopic 267 Lux;
Spectral 152 Lux *

Visually Effective lux 169 *

* Measurements using special Solar Color Sensing Light Meter. Visually Effective Lux indicates a blend of color that can be seen by the human eye. 10 Lux equals approximately 1 Footcandle

NOTES:

- ① VM1 Using VMG17 standard globe; VM4 using VMG25 globe (Class I Division 2; Class II Division 1)
- ② Wattage from Test Report or Ballast mfg. data (greater than "nominal" wattage)
- ③ Delivered Lumens on LED from Absolute Photometry; for HID, Compact Fluorescent, or Incandescent data is from noted Photometric Report's Zonal Lumen Summary, which is delivered lumens.
- ④ Traditional 3.18" dia. 6.68" high Clear Globe with 150A21 Lamp
- ⑤ Minimum LED Life to 70% of initial lumen output; HID, CFL, Incandescent from mfg. catalog data
- ⑥ For more information go to:
http://apps1.eere.energy.gov/buildings/publications/pdfs/ssl/leel_enhanced_longbeach2013.pdf




KILLARK

SEE WWW.HUBBELL-KILLARK.COM LIGHTING SOFTWARE FOR LATEST LED PHOTOMETRY

LED LIGHTING RANGE FROM KILLARK®

*See catalog data for complete ratings, certifications and series features

RETURN
to Index

	SERIES	HIGHLIGHTS	SUITABILITY
	VSL	<ul style="list-style-type: none"> • LED 13 & 16W • Utility retrofits for energy savings 	V S L Class I, Div. 2, Groups A,B,C,D Class I, Zone 2, Groups IIC, IIB, IIA Class II, Div. 2, Groups F,G Class III Suitable for wet locations
	DVL	<ul style="list-style-type: none"> • Compact size, traditional look 	D V L Class II, Div. 1 & 2, Groups E,F,G Class I, Div. 2, Groups A,B,C,D
	CERTILITE MBL	<ul style="list-style-type: none"> • LED 14 - 50W • Compact Design • Globe or Flat Lens models • Pathway Reflector 	Class I, Div. 2, Groups A,B,C,D Class I, Zone 2, Groups IIC, IIB, IIA Class II, Div. 1 & 2, Groups E,F,G Class III Suitable for wet locations NEMA 3, 4X Marine
	CERTILITE V VM1L	<ul style="list-style-type: none"> • LED 40, 45, 50W • Reduced profile • Swing-barrel nut & EZ Mount Adapter for easy installation 	Class I, Div. 2, Groups A,B,C,D Class I, Zone 2, Groups IIC, IIB, IIA Class II, Div. 1 & 2, Groups E,F,G Class III Suitable for wet locations Marine NEMA 3, 4X
	CERTILITE V VM2LB/C VM4LB/C	<ul style="list-style-type: none"> • LED 40 - 130W • Up to 115 Lumens/watt • Patented Swing-barrel nut & "EZ" adapter • 2 internal heat sinks styles & shallow depth models 	Class I, Div. 2, Groups A,B,C,D Class I, Zone 2, Groups IIC, IIB, IIA Class II, Div. 1 & 2, Groups E,F,G Class III Suitable for wet locations NEMA 3, 4X IP66 Marine
	HOSTILE EML	<ul style="list-style-type: none"> • LED 40, 45, 50W • Compact Explosion-proof with traditional industrial appearance • Factory Sealed 	Class I, Div. 1 & 2, Groups C,D Class I, Zones 1 & 2, Groups IIA Class II, Div. 1 & 2, Groups E,F,G Class III, Div. 1 & 2 Suitable for wet locations Marine NEMA 3, 4, 4X Factory Sealed
	PETROBRIGHT KFLC	<ul style="list-style-type: none"> • LED 15-45W • Compact Design • 5000K White Light • Dark Sky Visor 	Class I, Div. 2, Groups A,B,C,D Class I, Zone 2, Groups IIB+H2, IIA Class II, Div. 1 & 2, Groups E,F,G Class III Suitable for wet locations Marine NEMA 3, 4X, IP66
	PETROBRIGHT KFL	<ul style="list-style-type: none"> • LED 60-125W • Up to 125 Lumens/Watt • 5000K White Light • IEC Ex model 	Class I, Div. 2, Groups A,B,C,D Class I, Zone 2, Groups IIB+H2, IIA Class II, Div. 1 & 2, Groups E,F,G Class III Suitable for wet locations Marine NEMA 3, 4X, IP66
	PETROBRIGHT KF1L	<ul style="list-style-type: none"> • LED 90-125W • Up to 95 Lumens/Watt • Explosion Proof • IEC Ex model 	Class I, Div. 1 & 2, Groups B,C,D Class I, Zone 1 & 2, Groups IIB+H2, IIA Class II, Div. 1 & 2, Groups EFG Class III Enclosure Type 4 (NEMA 4, 7B CD, 9EFG), IP66
	HOSTILE EBS	<ul style="list-style-type: none"> • LED 10W 5000K Color • Up to 5X's Brighter than comparable units • Exit Sign • Remote Mount Options 	Class I, Div. 1 & 2, Groups B,C,D Class I, Zones 1 & 2, Groups IIB+H2, IIA Class II, Div. 1 & 2, Groups E,F,G Class III Enclosure Type 4 (NEMA 4) NEMA 7BCD, 9EFG



ELECTRICAL SYSTEMS

3940 M.L. King Dr. St. Louis, MO 63113
 TEL: (314) 531-0460 FAX: (314) 531-7164
 www.hubbell-killark.com

RACO® TAYMAC® BELL® KILLARK® HAWKE® CHALMIT® WIEGMANN® VANTAGE® VICTOR®
 MCATLED 07-14

©2014 Hubbell Incorporated (Delaware)

DISTRIBUTED BY: