



Harsh & Hazardous

**KILLARK**

# KFL Series LED TECHNOLOGY

*for Harsh and Hazardous  
Environments*



- IECEx/ATEX Approved
- From 60W to 195W Output
- Up to 124 Lumens per Watt
- Ambient Sustainability -50°C to 55°C
- Long Life 190,000 Maintenance Free Hours
- Crisp White 5000 Kelvin Light (Noon Sunlight)
- Thermal Shock and Impact Resistant Glass Lens



HSI=GREEN  
HUBBELL SUSTAINABILITY INITIATIVE





## C1D2 FLOOD - INTRODUCTION & LOGIC



**Class I, Div. 2, Groups A,B,C,D**  
**Class II, Div. 1&2, Groups EFG**  
**Class III**  
**Suitable for wet locations**  
**Marine**  
**NEMA 3, 4X, IP66**

**File LR11713**

**IEC Ex Rated model (w/IEX suffix)**  
**Zone 2 and Zone 21 areas**  
**Ex nA IIC T6 to T3, Gc**  
**Ex tb IIIC T160°C Db**  
**Tamb -50°C ≤ Ta ≤ +55°C, IP66**  
**IECEx Certificate CSA 14.0002X**  
**ATEX CML 14ATEX3087/4088**

## PETROBRIGHT® LED

### FEATURES-SPECIFICATIONS

#### Applications

LED Floods are designed for installations where moisture, dirt, dust, corrosion and vibration may be present, or NEMA 3 and 4X areas where wind, water, snow or high ambients can be expected. They can be used in locations made hazardous by the presence of flammable vapors or gases or combustible dusts as defined by the NEC.

Typical applications include manufacturing plants, and certain chemical and petrochemical processing facilities, sewage treatment plants, off-shore and dockside installations, garages and storage facilities.

#### Compliances

- UL-8750 for LED lighting
- ANSI/UL 1598(A)
- UL-844 Standard for lighting fixtures for hazardous locations, Class I, Division 2; Class II, Divisions 1 and 2; Class III
- CSA C22.2 no. 137-M1981 electric luminaires for use in hazardous locations
- Enclosed and gasketed
- NEMA 3, 4X, IP66
- IEX suffix Zone 2/21 to IEC 60079-0, 60079-15, 60079-31 Standards

#### Materials

- Body, end caps and lens frame corrosion resistant copper-free aluminum alloy with baked powder epoxy/polyester finish, electrostatically applied for complete, uniform corrosion protection
- All external hardware - stainless steel
- Thermal shock and impact resistant glass lens
- High temperature silicone gasketing
- Trunnion heavy gauge galvanized steel with painted finish

### LED Flood Features and Standards

- Crisp White Light for Excellent Color Rendering - Chromaticity 5000K (CCT); approx. 70 CRI
- Energy Savings - High lumens per watt
- Long Life - to 150,000 maintenance free hours to 70% initial lumens
- Ambient suitability -50°C to 55°C up to 125W<sup>2</sup>
- Instant On - Including after power interruption
- World Voltage 120 - 277VAC 50/60Hz
- Solder-LESS LED Board Connections - Vibration Resistant
- LM80-08\* Measurement of lumen maintenance for LED light sources
- LM79-08\* Certified "Absolute" Photometry, including Chromaticity Color for Solid State Lighting
- L70 Values - Industry Nomenclature for Hours of use to 70% of initial Lumens - TM-21\* & Calculated

### PATENTED LUMINAIRE DESIGN



**KFL with KFS-6 Slipfitter mount on 2" pipe**



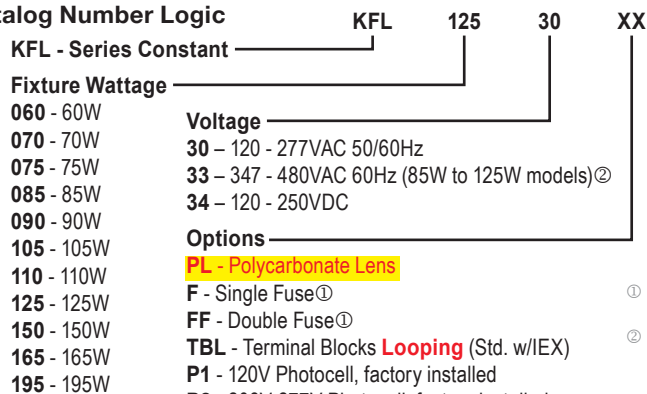
**Dark Sky Visor KFL-DARK**

\* LM-xx & TM-xx are Illumination Engineering Society Standards designed to promote uniformity in testing procedures among test labs and manufacturers. For more information go to [www.ies.org](http://www.ies.org)

Supplemental surge protection included as standard for AC models only

Units include Qty. 3 6mm terminals plus external ground as standard

### Catalog Number Logic



Consult website for current list of approved luminaires

**Construction Note:**  
 Models with dual metric entries are tapped with one plugged.  
 Standard 3/4" NPT entry will be plugged.

① Fusing not for Canadian or Marine Installations  
 ② 347V-480V +40°C Max

IEC - IECEx & ATEX includes TBL and External Ground

# LIGHTING

KFL SERIES



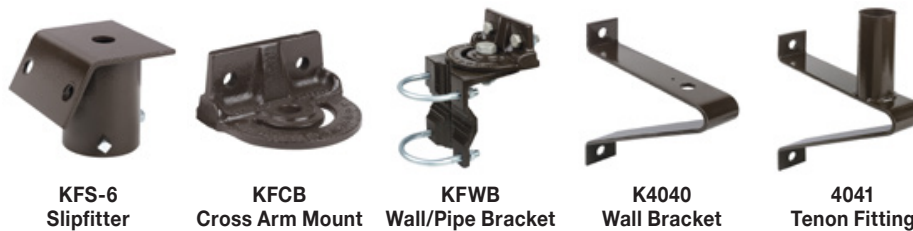
## C1D2 FLOOD - ORDERING INFORMATION & TECHNICAL DATA

Ordering Information and Ambient Suitability				C1D2 <sup>⑤</sup>		C1D2 <sup>⑤</sup> Simultaneous		C2D1 <sup>⑤</sup>		IEC Zone 2 <sup>⑤</sup>		IEC Zone 21 <sup>⑤⑥</sup>	
Catalog No. <sup>①②</sup>	Watts	Amps 120/277 <sup>③</sup>	Delivered Lumens	40C	55C	40C	55C	40C	55C	40C	55C	40C	55C
KFL06030	60	0.5/0.2	6111	T6	T5	T3C	T3C	T3C (EFG)	T3C (EFG)	T6	T5	145/70	160/85
KFL07030	70	0.6/0.3	9742 <sup>④</sup>	T6	T5	T3C	T3C	T3C (EFG)	T3C (EFG)	T6	T5	145/70	160/85
KFL07530	75	0.6/0.3	7454	T6	T5	T3C	T3C	T3C (EFG)	T3C (EFG)	T6	T5	145/70	160/85
KFL08530	85	0.7/0.3	10840 <sup>④</sup>	T6	T5	T3C	T3C	T3C (EFG)	T3C (EFG)	T6	T5	145/70	160/85
KFL09030	90	0.8/0.4	9023	T6	T5	T3C	T3C	T3C (EFG)	T3C (EFG)	T6	T5	145/70	160/85
KFL10530	105	0.9/0.4	10370	T4A	T4A	T3C	T3C	T3C (EFG)	T3C (EFG)	T4	T4	145/70	160/85
KFL11030	110	0.9/0.4	13780 <sup>④</sup>	T6	T5	T3C	T3C	T3C (EFG)	T3C (EFG)	T6	T5	145/70	160/85
KFL12530	125	1.0/0.5	15340 <sup>④</sup>	T6	T5	T3C	T3C	T3C (EFG)	T3C (EFG)	T6	T5	145/70	160/85
KFL15030	150	1.25/0.54	18550	T5	-	T3C	-	T3C (EFG)	-	-	-	-	-
KFL16530	165	1.38/0.6	19220 <sup>④</sup>	T5	-	T3C	-	T3C (EFG)	-	-	-	-	-
KFL19530	195	1.63/0.7	21940 <sup>④</sup>	T5	-	T3C	-	T3C (EFG)	-	-	-	-	-

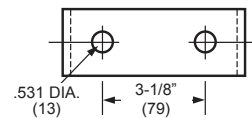
- ① Shipping weight Approx. 30lbs
- ② Cat. nos. are 120-277VAC models, see logic for 347-480V.
- ③ Amperage measured at 120VAC; 277VAC calculated
- ④ Extra high Lumens per Watt LED models
- ⑤ Use 75° minimum Supply Wire @40°C Ambient; 90 @55°C Ambient
- ⑥ First number is lens temperature under 25mm layer of dust; Second number is lens temp. for dust cloud.

Lumen Life	L70 Calculated	L70 TM-21**
Extra High L/W Models	150,000 Hours to 70% Initial	72,600 Hours Official Reported
High L/W Models	150,000 Hours to 70% Initial	60,100 Hours Official Reported
150W High L/W Models	190,000 Hours to 70% Initial	50,500 Hours Official Reported

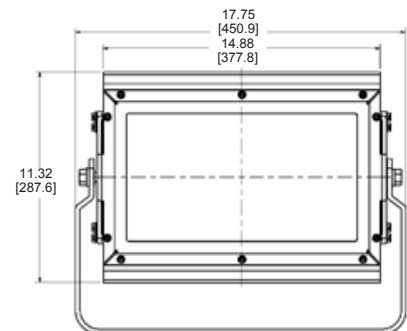
\*\* TM-21 based values require very long duration testing. IES TM-21 "official reported" is based on at 8,000 to 10,000 hours of LED chip manufacturer's LM-80 Testing at printing.



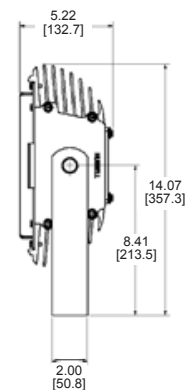
### Dimensions



### Trunnion Mounting Detail



Front



Side

KFL Mounts and Accessories <sup>①</sup>	
CATALOG NUMBER	DESCRIPTION
KFS-6	Steel Slipfitter for 2" Pipe (2-3/8" o.d.) Tenon. Slips 3.75" Over Pipe.
KFCB	Heavy Duty Cast-Iron Crossarm Fitting for Horizontal Trunnion
KFWB	Heavy Duty Wall Mount and/or Pipe Clamp Fitting Clamps 2" Pipe (2-3/8" o.d.) Through 2-1/2" Pipe (2-7/8" o.d.)
K4040	Heavy Duty Steel Wall Bracket. (Must be with KFCB Crossarm Fitting).
4041	Heavy Duty Steel Wall Bracket 2" Pipe (2-3/8" o.d.) Tenon Fitting.
KFLG <sup>②</sup>	Wire Guard, 316 Stainless Steel (not used with KFL-DARK)
VMSC10 <sup>③</sup>	10' Stainless Steel Safety Cable with loop grip
KFL-DARK <sup>④⑤</sup>	Dark Sky Visor, White Painted Aluminum (not used with KFLG)
KFL-DOOR	Replacement Door and Lens Assembly (for units w/o internal reflectors)
KFL-DOOR2 <sup>④⑤</sup>	Replacement Internal Reflector and Lens Assembly

- ① Fittings available to adapt trunnion mount floodlights to crossarms, poles and walls. Must be ordered separately.
- ② Drop limit 1'. Attaches to luminaire cable provision and to mounting structure.
- ③ Designed to eliminate uplight when aimed at 45°.
- ④ Only for models factory supplied with internal reflector.
- ⑤ Not backward compatible with units originally shipped without internal reflector.
- ⑥ KFLG and KFL-DARK cannot be used together.

Typical Weights (lbs.) Including Yoke - KFL Series 30.00



# **CERTILITE<sup>®</sup> DESIGN**

## **LIGHTING DESIGN SOFTWARE**

Copyright ©2014 All Rights Reserved

- **Modern “Ribbon” Windows Interface with “Real Time” Calculations**
- **Easily import/export of CAD files (DWG/DXF/PDF)**
- **Enhanced photometric database with luminaire images and wireframes**
- **Ability to draw round or complex rooms and grids**
- **False Colors to indicate “Relative Brightness”**

See “Lighting Software link” at [www.hubbell-killark.com](http://www.hubbell-killark.com) to download

HKSB-KFL 12-14

# **KILLARK<sup>®</sup>**

3940 M.L. King Dr. St. Louis, MO 63113  
TEL: (314) 531-0460 FAX: (314) 531-7164  
[www.hubbell-killark.com](http://www.hubbell-killark.com)



**Harsh & Hazardous**