

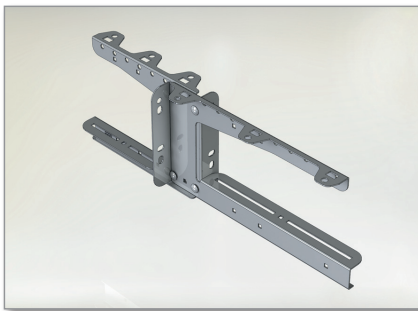
The G-Bracket is ideal for use in conjunction with our Y-Fit range, with the hook end fixing offering a quick and easy containment suspension method.

## ADVANTAGES

- Versatile - designed for wall and soffit mounting
- Naturally compatible with the Y-fit range, Trapeze No.2 or No.3 as a means of suspension
- Higher - storage height increased to 110 mm
- Clearance increased to 130 mm to fit electrical cable easily
- Ready to use
- Cables are loaded easier and faster
- Complete installation is well balanced
- Ability to stack side by side or one on top of each other
- Lightweight



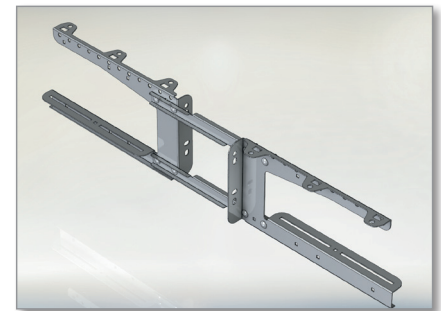
## MOUNTING CONCEPTS



Side to side

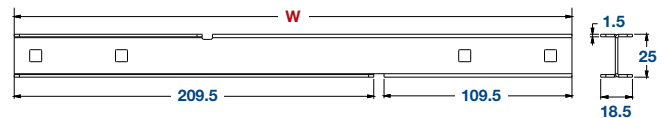
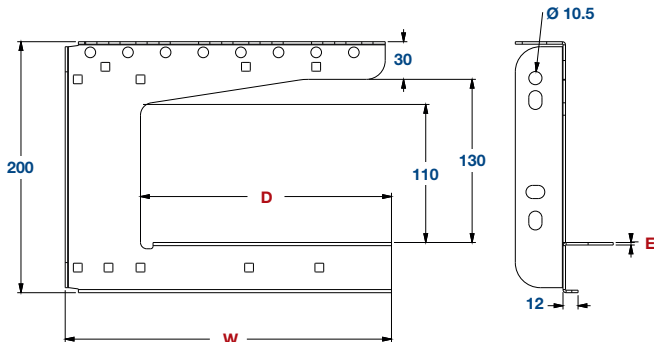
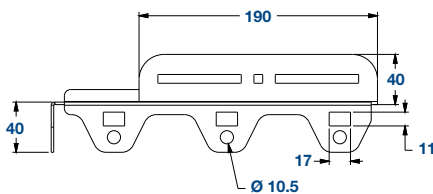


Vertical stack



Side to side with G-Spacers

## PRODUCT SPECIFICATIONS



The G-Spacer allows the linking of two G-Brackets, with a distance of 300 mm to separate both electrical and data cables

Product code	Maximum Working Load	D (mm)	W (mm)	E (mm)
G-BRACKET-100	30 kg	125	185	1.5
G-BRACKET-200	60 kg	200	260	2
G-BRACKET-300	60 kg	325	385	3
G-SPACER	-	-	325	-