

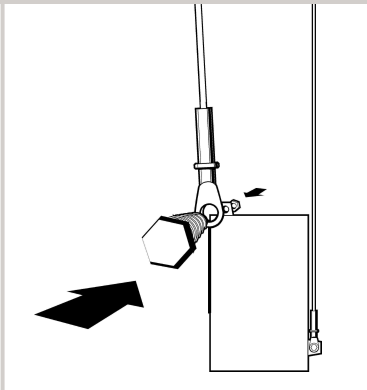
Range of hanger kits that are suitable for a variety of applications requiring bolting to brackets or fixtures.

## PRODUCT INFORMATION

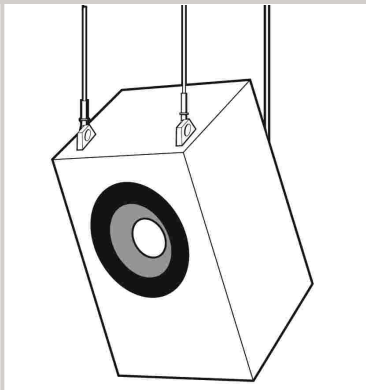
- Ideal for any 1/4" bolt that is fixed for M&E services, such as speakers or visual display, light fittings, etc.
- Available in standard, 90° and large 90° versions.
- Comes as part of a ready-to-use kit, pre-crimped to the wire rope.
- Available in Gripple Sizes No.1 (90° version), No.2 Standard (90° version), and No.3 (all versions), rated at 5:1 SWL.
- Also available as a Y-Fit.



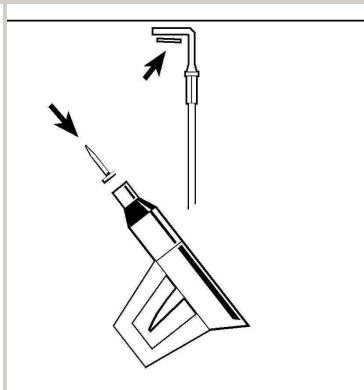
## INSTALLATION



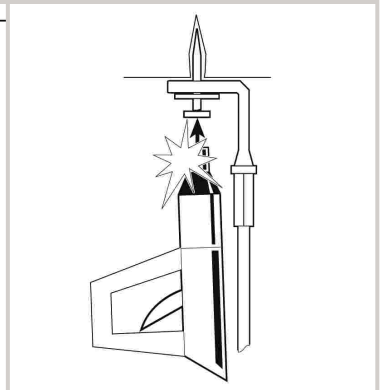
1. Standard eyelet installation.



2. Standard eyelet suspending speakers.



3. 90° eyelet installation.

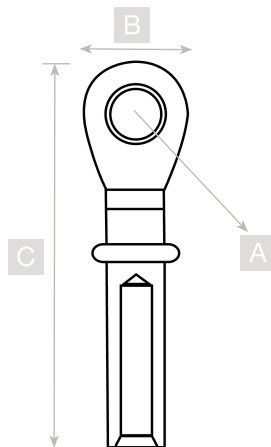


4. 90° eyelet installation.

## EYELET SPECIFICATION

The Gripple eyelet is made from zinc plated steel.

Size	A inches	B inches	C inches
No.2	1/4"	2/5"	1 3/4"
No.3	1/4"	2/5"	1 3/4"



## Important Information

1. Construction materials and conditions vary on different sites. If it suspected that the base material has insufficient strength to achieve a suitable fixing, contact Gripple Ltd. The responsibility for judgement of base material strength lies with the installer, and not with Gripple Ltd.
2. The information and recommendations given herein are believed to be correct at time of writing. The data has been obtained from tests done under laboratory, or other controlled conditions and it is the users responsibility to use the data given in light of conditions on site, taking account of the intended use of the products concerned.
3. Whilst Gripple Ltd can give general guidance and advice, the nature of Gripple products means that the ultimate responsibility for selecting the correct product for a particular application must lie with the customer.
4. All products must be used, handled and applied in accordance with current product instructions and manufacturers recommendations for use, published by Gripple Ltd.
5. Gripple's policy is one of continuous development and innovation. We, therefore reserve the right to alter specifications, etc. without notice.

## Gripple 90° Eyelets End Fixings

### PRODUCT INFORMATION











- Designed for shot firing into concrete, steel and wood using gas or powder actuated tools.
- Replaces beam and purlin clamps for steel beams.
- Quick and safe, saving you time on installation.

### PRODUCT RANGE

- Made from zinc plated steel and crimped permanently to the end of the wire rope.
- Supplied in sizes No.1 - No.3.
- 90° Eyelet 7/8" hole purpose designed for hanging mechanical services (No.3 only).



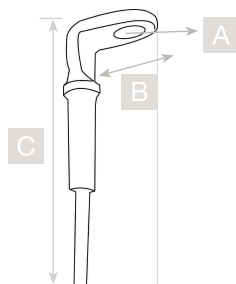
### Selecting the right pins

SUBSTRATE	PRODUCT	No.2 (45kg)	No.3 (90kg)
Concrete	<b>Spit Tapcon Washered</b>  Pan head 6.5 x 32mm with 14mm flange	✓	✓
	<b>Spit Atlas</b>  Spit atlas anchor (C25)	✓	X
	<b>Powder Actuated Tools</b>  Powder pin C9 (C25)	✓	X
	<b>Gas Actuated Tools</b>  CG6 (C25)	✓ Max 66lbs	X
	<b>Hilti</b>  X-DNI27 S12 with 12mm steel washer	✓ Max 88lbs	X
Steel	<b>Teks Screws</b>  Self tapping screw range (1.5mm steel)	✓	✓
	<b>Powder Actuated Tools</b>  Powder pin SC9 (min 6mm steel)	✓	✓
	<b>Gas Actuated Tools</b>  SCG (min 6mm steel)	✓	X
	<b>Hilti</b>  X-EDNI 19 S12 with 12mm steel washer	✓	✓
Wood	<b>Spit Tapcon Washered</b>  Pan head 6.5 x 32mm with 14mm flange	pull tests recommended	

### 90° EYELET SPECIFICATION

The 90° Gripple eyelet is made from zinc plated steel.

Size	A inches	B inches	C inches
No.1	9/32"	7/8"	1 1/2"
No.2	9/32"	7/8"	1 1/2"
No.3	9/32"	7/8"	1 1/2"
No.3	5/18"	1 1/2"	1 1/2"



Call Gary Lodge @ 615.982.2027