

Gripple Express No.2



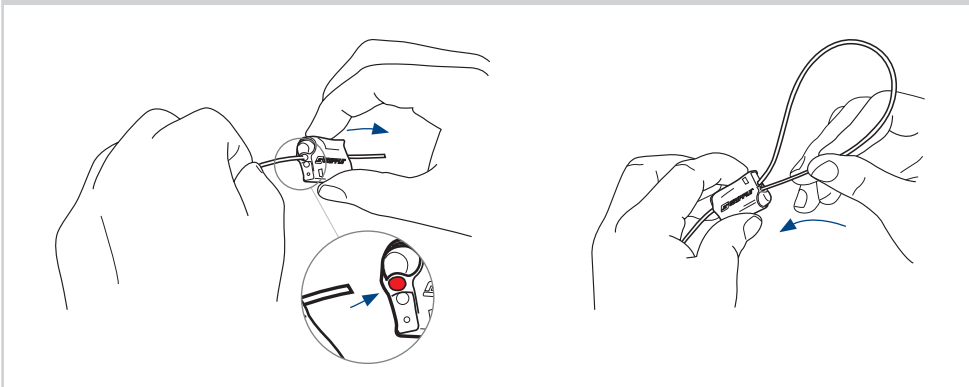
A push-button Gripple fastener solution for quick and easy suspension and height adjustment of light fixtures, signage, HVAC, mechanical, and electrical services, without the need for a release key.

ADVANTAGES

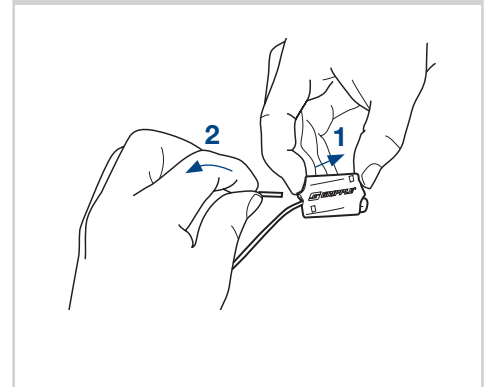
- Up to 6 times faster to install than traditional methods
- Keyless - no tool required for adjustment
- Ergonomic buttons allow rapid adjustment
- Discreet and aesthetic design
- Load rated at 100 lbs with a 5:1 safety factor
- Supplied as a ready-to-use kit



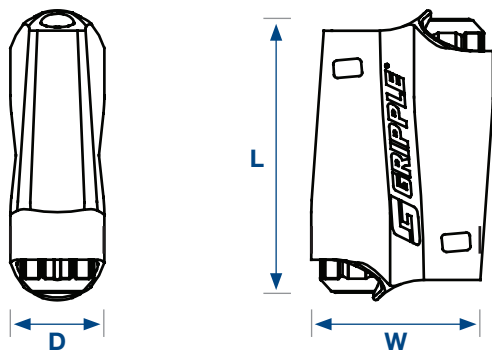
INSTALLATION



RELEASE



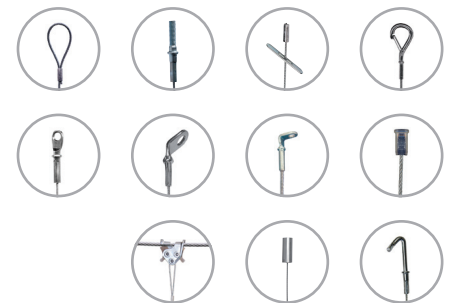
PRODUCT DIMENSIONS



Cable Diameter	L (in)	W (in)	D (in)
5/64"	1 1/8"	7/8"	7/16"

* This product is silicone free

END FIXING



Each ready-to-use kit comes with an end fixing of your choice. Standard hanger lengths are available in 5ft to 30ft lengths; other lengths available upon request.

For further detailed information on any of our end fixings, please visit our website or contact us using the information below.