

### Catalog No. EZD33E

### SERIES 33 PATHWAY EXTENSION

READ COMPLETELY BEFORE INSTALLING

**GENERAL:** Extension Module attaches to the end of a Series 33 Pathway increasing the effective length for thicker walls or floors. Extensions are designed to be compatible with all other accessories including wall and mounting plates and cable waterfalls (Radius Control Module).

These instructions are limited to the use of this item. See installation instructions for individual accessories for additional information that may be required for use of this product in specific applications.

**BARRIER THICKNESS:** A single extension can be mounted on one end to increase Pathway length by 6 in. (15.5 cm. total). Extensions can be mounted at both ends to increase effective length by 12 in. (21.5 cm total). Two sets of gauge marks are provided on the extension to assist in centering the extended pathway within the barrier. The rule on the left is for applications where a single extension will be attached to one end of a pathway. The rule on the right, where extensions will be attached at both ends.

#### REQUIRED EXTENSIONS:

Wall Applications: Regardless of hourly fire rating, either one (1) extension for maximum 15.5 in. (39 cm.) or two (2) extensions for 21 in. (53 cm.) may be used to accommodate barrier thickness.

#### Floor Applications:

##### METHOD OF ATTACHMENT

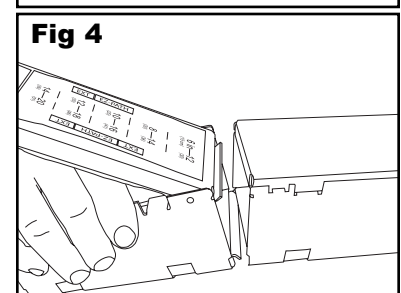
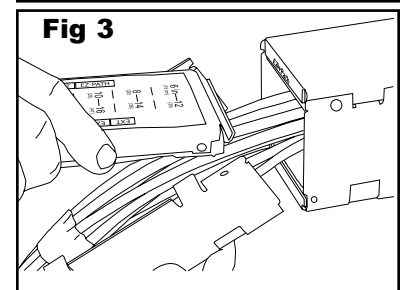
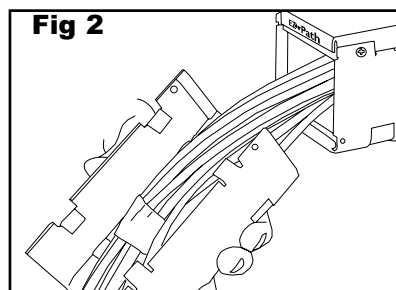
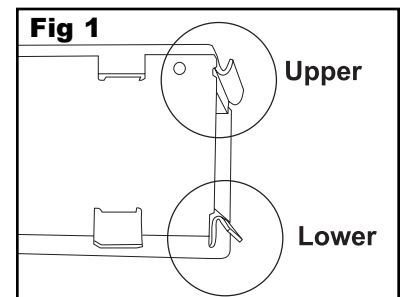
**General:** Extension is designed to insert within a Series 33 Pathway and attach to the flanges located at the top and bottom of either end. A fixed hook-profiled lower flange (lower coupler, Fig 1) on the extension is designed to grasp the straight lower pathway flange. A similar grasping mechanism designed to lever upward and grasp the upper flange is incorporated into the extension lid (upper coupler, Fig 1). Care should be exercised to make sure that the pathways intumescent pads do not become caught within the engaging flanges.

#### Existing Cable Installations:

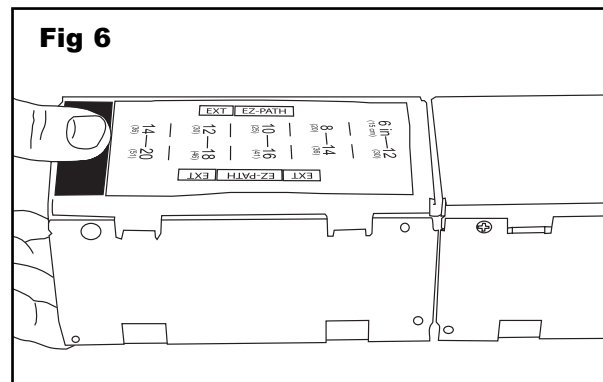
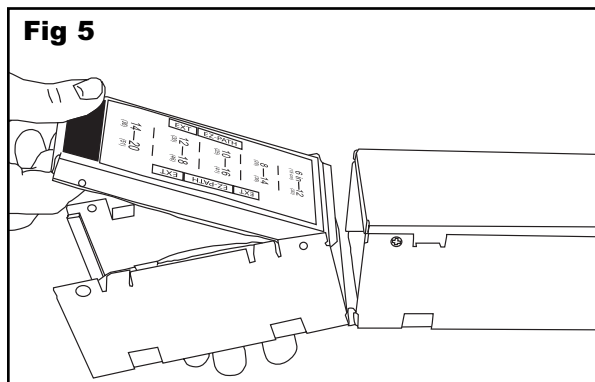
1. Remove extension lid.
2. Place extension channel around cable bundle (Fig 2).
3. Snap lid back onto extension channel and continue installation as detailed below (Fig 3).

#### New Cable Installations:

1. Tilt pathway lid to the open position and grasp pathway with hand between pathway channel and open lid.
2. While holding extension with lid open, insert fixed lower coupler into pathway. Push extension down so that lower couple inserts between pathways bottom flange and intumescent pad (Fig 4).



3. Tilt extension upward until upper coupler is within pathway and extension is snugly abutted to end of pathway (Fig 5).
  4. Engage upper coupler to top flange on pathway by tilting extension lid downward, making sure that mating flanges are freely engaged and intumescent pads are displaced backward and clear of the flange assembly (Fig 6).
- NOTE: STOP and repeat process if any resistance is encountered.
5. Secure closed lid to extension channel by installing and tightening the included screws.



CITY OF NEW YORK MEA 369-02-M

**Important Notice:** All statements, technical information, and recommendations contained herein are based upon testing believed to be reliable, but the accuracy and completeness thereof is not guaranteed.

**WARRANTY:** Specified Technologies Inc. manufactures its goods in a manner to be free of defects. Should any defect occur in its goods (within one year), Specified Technologies Inc., upon prompt notification, will at its option, exchange or repair the goods or refund the purchase price.

**Limitations and Exclusions:** THIS WARRANTY IS IN LIEU OF ALL OTHER REPRESENTATIONS EXPRESSED OR IMPLIED (INCLUDING THE IMPLIED WARRANTIES OF MERCHANTABILITY OR FITNESS FOR USE) AND UNDER NO CIRCUMSTANCES SHALL SPECIFIED TECHNOLOGIES INC. BE RESPONSIBLE FOR ANY INCIDENTAL OR CONSEQUENTIAL PROPERTY DAMAGE OR LOSSES. PRIOR TO USE, THE USER SHALL DETERMINE THE SUITABILITY OF THE PRODUCT FOR ITS INTENDED USE, AND THE USER ASSUMES ALL RISKS AND LIABILITY FOR SUBSEQUENT USE. No statement or recommendation not contained herein shall have any force or effect unless in an agreement signed by officers of seller and manufacturer.

**MADE IN THE USA – COPYRIGHT © 2004 SPECIFIED TECHNOLOGIES, INC.**



Specified Technologies, Inc.  
**THE FIRESTOP AUTHORITY**

200 Evans Way • Somerville, NJ 08876  
Phone: (800) 992-1180 • Fax: (908) 526-9623  
STI on the WEB: [www.stifirestop.com](http://www.stifirestop.com)