

**CADDY®**

# Mechanical Hangers and Supports for Plumbing, HVAC and Fire Protection



**ERICO®**

# **CADDY® Mechanical Hangers and Supports for Plumbing, HVAC and Fire Protection**



#### DESIGNS

All dimensions are  $\pm 5\%$  and product design and specifications are subject to change without notice.

#### DESIGN AND MANUFACTURING

Supports and hangers may be manufactured in conformance with one or more of the following:

Manufacturers Standardization Society MSS-SP-58

Federal Specification WW-H-171

Factory Mutual Research Corporation

Underwriters Laboratories, Inc.

National Fire Protection Association NFPA®-13 , NFPA 24

ANSI Code for Pressure Piping

#### TERMS AND CONDITIONS OF SALE

For ordering, terms and conditions of sale, please consult our current price guide.

#### WARNING

ERICO products shall be installed and used only as indicated in ERICO's product instruction sheets and training materials. Instruction sheets are available at [www.erico.com](http://www.erico.com) and from your ERICO customer service representative. Improper installation, misuse, misapplication or other failure to completely follow ERICO's instructions and warnings may cause product malfunction, property damage, serious bodily injury and death.

#### WARRANTY

ERICO products are warranted to be free from defects in material and workmanship at the time of shipment. NO OTHER WARRANTY, WHETHER EXPRESS OR IMPLIED (INCLUDING ANY WARRANTY OF MERCHANTABILITY OR FITNESS FOR A PARTICULAR PURPOSE), SHALL EXIST IN CONNECTION WITH THE SALE OR USE OF ANY ERICO PRODUCTS. Claims for errors, shortages, defects or nonconformities ascertainable upon inspection must be made in writing within 5 days after Buyer's receipt of products. All other claims must be made in writing to ERICO within 6 months from the date of shipment or transport. Products claimed to be nonconforming or defective must, upon ERICO's prior written approval in accordance with its standard terms and procedures governing returns, promptly be returned to ERICO for inspection. Claims not made as provided above and within the applicable time period will be barred. ERICO shall in no event be responsible if the products have not been stored or used in accordance with its specifications and recommended procedures. ERICO will, at its option, either repair or replace nonconforming or defective products for which it is responsible or return the purchase price to the Buyer. THE FOREGOING STATES BUYER'S EXCLUSIVE REMEDY FOR ANY BREACH OF ERICO WARRANTY AND FOR ANY CLAIM, WHETHER SOUNDING IN CONTRACT, TORT OR NEGLIGENCE, FOR LOSS OR INJURY CAUSED BY THE SALE OR USE OF ANY PRODUCT.

#### LIMITATION OF LIABILITY

ERICO excludes all liability except such liability that is directly attributable to the willful or gross negligence of ERICO's employees. Should ERICO be held liable its liability shall in no event exceed the total purchase price under the contract. ERICO SHALL IN NO EVENT BE RESPONSIBLE FOR ANY LOSS OF BUSINESS OR PROFITS, DOWNTIME OR DELAY, LABOR, REPAIR OR MATERIAL COSTS OR ANY SIMILAR OR DISSIMILAR CONSEQUENTIAL LOSS OR DAMAGE INCURRED BY BUYER.

ANSI is a registered trademark of American National Standards Institute

ASTM is a registered trademark of ASTM International

UL is a registered trademark of Underwriters Laboratories, Inc.

ASME is a registered trademark of American Society of Mechanical Engineers

NFPA is a registered trademark of National Fire Protection Association



# TABLE OF CONTENTS

|   |             |
|---|-------------|
| <b>Product Picture Reference</b> . . . . .                      | Pages I-XXV |
| <b>1 Clevis Hangers</b> . . . . .                               | Page 3      |
| <b>2 Split Ring Hangers</b> . . . . .                           | Page 13     |
| <b>3 Loop Hangers</b> . . . . .                                 | Page 19     |
| <b>4 Riser Clamps</b> . . . . .                                 | Page 31     |
| <b>5 Pipe Fixings</b> . . . . .                                 | Page 43     |
| <b>6 Universal Support System - CADDY® SPEED LINK</b> . . . . . | Page 61     |
| <b>7 Pipe and Equipment Supports - CADDY® PYRAMID</b> . . . . . | Page 65     |
| <b>8 Perforated Pipe Straps</b> . . . . .                       | Page 69     |
| <b>9 Strut Pipe Clamps</b> . . . . .                            | Page 73     |
| <b>10 CPVC Pipe Fixings</b> . . . . .                           | Page 85     |
| <b>11 Beam Clamps</b> . . . . .                                 | Page 89     |
| <b>12 Structural Attachments</b> . . . . .                      | Page 115    |
| <b>13 Supports, Guides &amp; Rollers</b> . . . . .              | Page 135    |
| <b>14 Shields &amp; Saddles</b> . . . . .                       | Page 155    |
| <b>15 Strut, Fittings &amp; Accessories</b> . . . . .           | Page 167    |
| <b>16 Stainless Steel Products</b> . . . . .                    | Page 209    |
| <b>17 Rods, Plates &amp; Hardware</b> . . . . .                 | Page 217    |
| <b>18 Slotted Angle</b> . . . . .                               | Page 239    |
| <b>19 Sway Bracing</b> . . . . .                                | Page 243    |
| <b>20 Technical Information</b> . . . . .                       | Page 249    |





# CLEVIS HANGERS

# CHAPTER 1



Page 4

**401**



Page 5

**CADDY® SLOT LOCK**



Page 6

**410**



Page 7

**402**



Page 8

**420**



Page 9

**401RO**



Page 10

**403**



Page 11

**405**

# SPLIT RING HANGERS

# CHAPTER 2



Page 14

**CADDY® SUPERFIX 454**



Page 15

**BH**



Page 15

**111**



Page 16

**455**



Page 17

**456**





**NEW**

**NEW**



Page 20

**100**



Page 20

**LHSR6**



Page 21

**115**



Page 22

**101**



Page 23

**100FL**



Page 24

**102**



Page 25

**102A**



Page 26

**103**



Page 27

**104**



Page 27

**VTR**



Page 28

**418**



Page 29

**418FL**

**NEW**

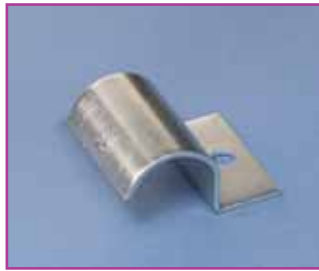
|  |  |  |   |
|--|--|--|---|
|  <p>Page 32</p> <p><b>CADDY® EZ RISER</b></p> |  <p>Page 33</p> <p><b>510RO</b></p> |  <p>Page 34</p> <p><b>511</b></p>  |  <p>Page 35</p> <p><b>520</b></p>  |
|  <p>Page 36</p> <p><b>450</b></p>             |  <p>Page 37</p> <p><b>451</b></p>   |  <p>Page 38</p> <p><b>452</b></p>  |  <p>Page 39</p> <p><b>453</b></p>  |
|  <p>Page 40</p> <p><b>700</b></p>            |  <p>Page 41</p> <p><b>705</b></p>  |  <p>Page 42</p> <p><b>517</b></p> |  <p>Page 42</p> <p><b>516</b></p> |





Page 45

**007**



Page 45

**STR**



Page 46

**008**



Page 47

**STR2**



Page 47

**470**



Page 48

**008CP**



Page 48

**008CU**



Page 49

**U-Hanger**



Page 49

**DWV**



Page 50

**WH**



Page 51

**TPC**



Page 51

**CADDY® SUPERKLIP**



Page 52

**SMS8**



Page 52

**SGB**



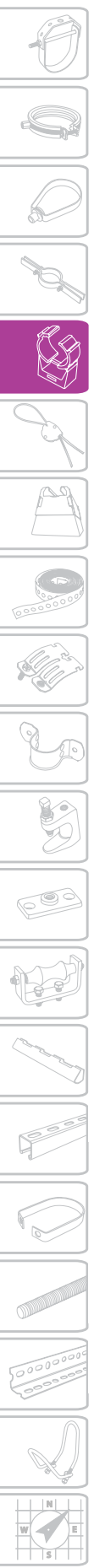
Page 52

**TSGB**



Page 53

**150M**



|  |  |  |   |
|--|--|--|---|
|   |   |  |  |
| Page 54  | Page 54  | Page 55  | Page 56   |
| <b>M-Series</b>  | <b>MCP-Series</b>  | <b>M-Series</b>  | <b>MCP-Series</b>   |
|   |   |  |  |
| Page 57  | Page 58  | Page 59  | Page 59   |
| <b>CD-Series</b>   | <b>CDCP-Series</b>   | <b>801</b>   | <b>800</b>  |
|  |  |  |   |
| Page 60  | Page 60  |  |   |
| <b>802</b>   | <b>EPS</b>   |  |   |



## CADDY® SPEED LINK



**NEW**

Page 62

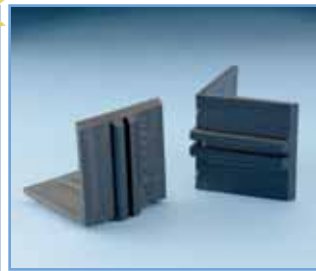
**CADDY® SPEED LINK**



**NEW**

Page 63

**CADDY® SPEED LINK LD**



Page 64

**SLADCP**



Page 64

**SLADS**



Page 64

**SLWC**



Page 64

**SLWPT**



Page 64

**SLEB**

# PIPE AND EQUIPMENT SUPPORTS

# CHAPTER 7

## CADDY® PYRAMID



**NEW**

Page 66

**CADDY® PYRAMID 25**



**NEW**

Page 67

**CADDY® PYRAMID 50**



**NEW**

Page 68

**CADDY® PYRAMID 150**  
**CADDY® PYRAMID 300**  
**CADDY® PYRAMID 600**





Page 70

**EG**



Page 70

**CP**



Page 71

**CU**



Page 71

**MSR**



Page 72

**MSS**



|   |   |  |   |
|---|---|--|---|
|  <p><b>NEW</b></p>   |                      |                    |                    |
| <p>Page 74</p> <p><b>RIGD</b></p>   | <p>Page 75</p> <p><b>OD</b></p>   | <p>Page 76</p> <p><b>PCC</b></p>   | <p>Page 77</p> <p><b>TCC</b></p>  |
|                      |                      |  <p><b>NEW</b></p> |  <p><b>NEW</b></p> |
| <p>Page 78</p> <p><b>COPC</b></p>   | <p>Page 78</p> <p><b>EMTC</b></p>   | <p>Page 79</p> <p><b>TSM</b></p>   | <p>Page 79</p> <p><b>TSMI</b></p>   |
|  <p><b>NEW</b></p> |  <p><b>NEW</b></p> |                  |                  |
| <p>Page 80</p> <p><b>SCH</b></p>  | <p>Page 81</p> <p><b>SK</b></p>   | <p>Page 82</p> <p><b>STR</b></p>   | <p>Page 82</p> <p><b>STR2</b></p>   |
|                    |                    |  |   |
| <p>Page 83</p> <p><b>UNIV</b></p>   | <p>Page 83</p> <p><b>VS-20</b></p>  |  |   |



**NEW**



Page 86

**107**



Page 86

**108**



Page 87

**109**



Page 87

**50**



|   |   |   |  |
|---|---|---|--|
|    |    |   |   |
| Page 91   | Page 92   | Page 93   | Page 94  |
| <b>280</b>  | <b>300</b>  | <b>310</b>  | <b>255</b>   |
|    |    |   |   |
| Page 95   | Page 96   | Page 97   | Page 98  |
| <b>255L</b>   | <b>BC26</b>   | <b>200</b>  | <b>200RS</b>   |
|   |   |  |  |
| Page 99   | Page 100  | Page 101  | Page 102   |
| <b>547/548</b>  | <b>PH</b>   | <b>PHSW</b>   | <b>BC13</b>  |
|  |  |   |  |
| Page 103  | Page 104  |   |  |
| <b>BC14</b>   | <b>BC10</b>   |   |  |





Page 105

**BC15**



Page 105

**BC09**



Page 106

**315**



Page 107

**PAR**



Page 107

**ET**



Page 108

**RA**



Page 109

**300C**



Page 110

**35RS**



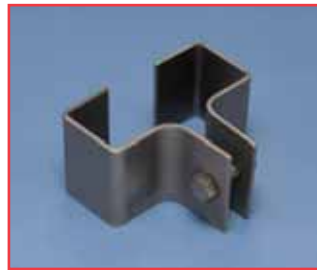
Page 110

**34SL**



Page 111

**255C**



Page 111

**356**



Page 112

**360**



Page 113

**361**



Page 114

**363**





Page 117

**365M**



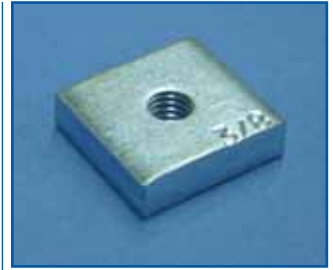
Page 117

**365**



Page 118

**355**



Page 119

**355N**



Page 120

**370A**



Page 121

**37**



Page 122

**38**



Page 123

**325**



Page 124

**326**



Page 125

**327**



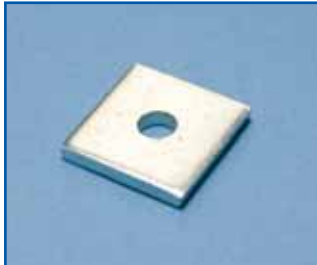







Page 126

**328**



Page 127

**319**

|  |  |   |   |
|--|--|---|---|
|   |   |   |  |
| Page 127   | Page 128   | Page 129  | Page 130  |
| <b>340</b>   | <b>320L / 320W</b>   | <b>348</b>  | <b>350</b>  |
|   |   |   |  |
| Page 130   | Page 131   | Page 132  | Page 133  |
| <b>351</b>   | <b>352</b>   | <b>353</b>  | <b>4TI/6TI</b>  |
|  |  |  |   |
| Page 133   | Page 134   | Page 134  |   |
| <b>AF</b>  | <b>VF</b>  | <b>VAFT</b>   |   |





Page 136

**605**



Page 137

**610**



Page 138

**615**



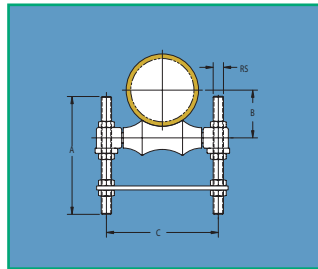
Page 139

**617**



Page 140

**619**



Page 141

**620**



Page 142-143

**ROL12**



Page 142-143

**ROL13**



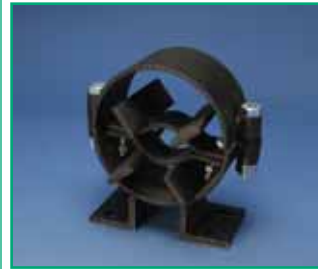
Page 144

**ROL14**



Page 145

**ROL15**



Page 146-147

**650**



Page 148-149

**651**



Page 150

**721**



Page 151

**722**



Page 152

**723**



Page 153

**724**



Page 156

**125**



Page 157

**121**



Page 158

**126**



Page 159

**127**



Page 160

**630**



Page 161

**631**



Page 162

**632**



Page 163

**633**



Page 164

**634**



Page 165

**635**



# STRUT, FITTINGS & ACCESSORIES CHAPTER 15



Page 173

**A12**



Page 174

**A14**



Page 174

**B12**



Page 175

**C12**



Page 176

**C14**



Page 176

**D12**



Page 177

**E12**



Page 177

**CONC**



Page 178

**CADDY® SLICK**



Page 179

**STS**



Page 180

**NUT**



Page 180

**NUTC**



Page 181

**SPRA**



Page 181

**SPRC**



Page 182

**SPRD**



Page 182

**SPRM**



# STRUT, FITTINGS & ACCESSORIES CHAPTER 15

**NEW!**



Page 183

**TSNT**



Page 184

**SQNT**



Page 184

**VS**



Page 185

**STCB**



Page 186

**BC16**



Page 186

**BC17**



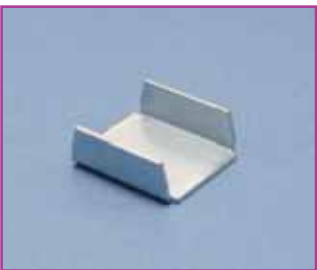
Page 187

**BR22**



Page 187

**Strut Cover**



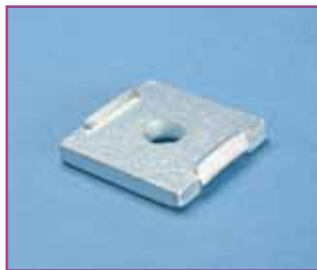
Page 188

**ENDC**



Page 188

**F09**



Page 189

**F10-F12**



Page 189

**F13-F18**



Page 190

**F20**



Page 190

**F22**



# STRUT, FITTINGS & ACCESSORIES CHAPTER 15



Page 191

**F23**



Page 191

**F25**



Page 192

**F36**



Page 192

**F37**



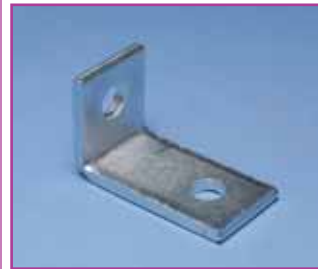
Page 193

**L10**



Page 193

**L11**



Page 194

**L12**



Page 194

**L15**



Page 195

**L16-L17**



Page 195

**L18**



Page 196

**L19-L20**



Page 196

**L22**



Page 197

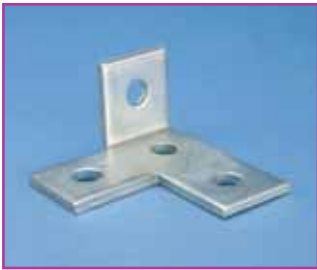
**L23**



Page 197

**L24**

# STRUT, FITTINGS & ACCESSORIES CHAPTER 15



Page 198

**L25**



Page 198

**L26**



Page 199

**L27**



Page 199

**L44**



Page 200

**L46**



Page 200

**L47**



Page 201

**P09**



Page 201

**P10**



Page 202

**P11**



Page 202

**P13**



Page 203

**ROL10**



Page 203

**ROL11**



Page 204

**U10A**



Page 204

**U24**



# STRUT, FITTINGS & ACCESSORIES CHAPTER 15



Page 205

**W10**



Page 205

**W12**



Page 206

**W13**



Page 206

**W17**



Page 207

**W18**



Page 207

**W19**



Page 208

**W20**



Page 208

**W23**



Page 210

**105**



Page 211

**406**



Page 212

**305**



Page 213

**150**



Page 214

**OD**



Page 215

**RIGD**



|   |   |  |   |
|---|---|--|---|
|    |    |    |    |
| Page 220  | Page 220  | Page 221   | Page 221  |
| <b>304B2</b>  | <b>005</b>  | <b>10</b>  | <b>10H</b>  |
|    |    |    |    |
| Page 222  | Page 222  | Page 223   | Page 224  |
| <b>11</b>   | <b>12</b>   | <b>50</b>  | <b>51</b>   |
|   |   |   |   |
| Page 224  | Page 225  | Page 225   | Page 226  |
| <b>25</b>   | <b>25S</b>  | <b>25R</b>   | <b>41</b>   |
|  |  |  |  |
| Page 226  | Page 227  | Page 227   | Page 227  |
| <b>42</b>   | <b>43</b>   | <b>100A</b>  | <b>145</b>  |





Page 228



Page 229



Page 229



Page 230

**Hardware Anchors HMZ**

**345R**

**RAWL**

**26**



Page 230

**30**



Page 231

**31**



Page 231

**SWF**



Page 232

**35**



Page 232

**SWFF**



Page 233

**40**



Page 233

**SWM**



Page 234

**47**



Page 234

**SWMF**



Page 235

**HSCR**



Page 235

**85**



Page 236

**80**





Page 236

**15**



Page 237

**740**



Page 237

**4H**



Page 238

**ESGP**



Page 238

**MSP**



Page 240

**SAA**



Page 240

**SAD**



Page 241

**SAE**





Page 244

**TP220**



Page 245

**TP225**



Page 245

**TP225A**



Page 246

**TP230**



Page 247

**TP235**



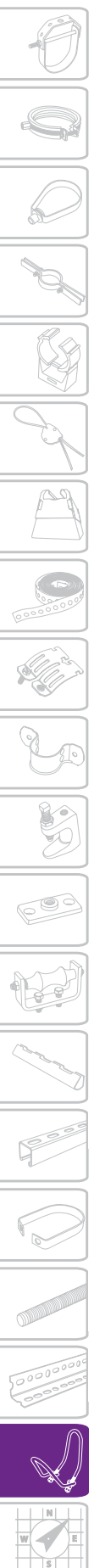
Page 247

**TP240**



Page 248

**TP280**





Page 4

**401**



Page 5

**CADDY® SLOT LOCK**



Page 6

**410**



Page 7

**402**



Page 8

**420**



Page 9

**401RO**



Page 10

**403**



Page 11

**405**





## CLEVIS HANGER 401

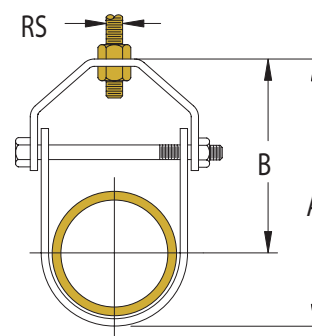
### Standard Duty

- Size Range: 1/2" through 24"
- Surface Finish: Electro-zinc plated
- Recommended for the suspension of stationary non-insulated pipe lines
- Standard electro-zinc plated finish is cleaner, provides superior corrosion protection
- Conforms with Federal Specification WW-H-171 (Type 1), Manufacturers Standardization Society (MSS) SP-58 and SP-69 (Type 1)



| Part Number | Nominal Pipe Size | RS    | A        | B        | Max. Rec. Load (lbs) |
|-------------|-------------------|-------|----------|----------|----------------------|
| 4010050EG   | 1/2"              | 3/8   | 2-1/8"   | 1-5/8"   | 610                  |
| 4010075EG   | 3/4"              | 3/8   | 2-3/8"   | 1-3/4"   | 610                  |
| 4010100EG   | 1"                | 3/8   | 2-3/4"   | 2-1/16"  | 610                  |
| 4010125EG   | 1-1/4"            | 3/8   | 3-5/16"  | 2-3/8"   | 610                  |
| 4010150EG   | 1-1/2"            | 3/8   | 3-15/16" | 2-15/16" | 610                  |
| 4010200EG   | 2"                | 3/8   | 4-1/2"   | 3-1/4"   | 610                  |
| 4010250EG   | 2-1/2"            | 1/2   | 5-1/4"   | 3-3/4"   | 1130                 |
| 4010300EG   | 3"                | 1/2   | 6"       | 4-1/8"   | 1130                 |
| 4010350EG   | 3-1/2"            | 1/2   | 6-1/2"   | 4-7/16"  | 1130                 |
| 4010400EG   | 4"                | 5/8   | 7-3/4"   | 5-3/8"   | 1130                 |
| 4010500EG   | 5"                | 5/8   | 9-3/4"   | 6-13/16" | 1430                 |
| 4010600EG   | 6"                | 3/4   | 11-3/4"  | 8-1/4"   | 1940                 |
| 4010800EG   | 8"                | 3/4   | 14"      | 9-1/2"   | 2000                 |
| 4011000EG   | 10"               | 7/8   | 16-1/2"  | 10-7/8"  | 3600                 |
| 4011200EG   | 12"               | 7/8   | 18-5/8"  | 12"      | 3800                 |
| 4011400EG   | 14"               | 1     | 21-3/4"  | 14-1/2"  | 4200                 |
| 4011600EG   | 16"               | 1     | 24"      | 15-3/4"  | 4600                 |
| 4011800EG   | 18"               | 1-1/8 | 26-3/4"  | 17-1/2"  | 4800                 |
| 4012000EG   | 20"               | 1-1/4 | 30"      | 19-5/8"  | 4800                 |
| 4012400EG   | 24"               | 1-1/4 | 34-1/8"  | 21-3/4"  | 4800                 |

2-1/2" - 8"





## CADDY® SLOT LOCK



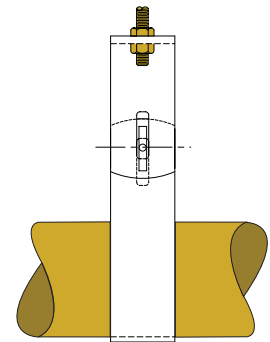
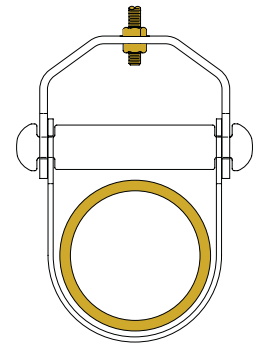
### Standard Duty

- Size Range: 2" and 4"
- Surface Finish: Electro-zinc plated
- Slotted crossbeam design is easier to assemble than conventional nut and bolt style clevis hangers
- Eliminates the need to install additional parts to control deflection
- Recommended for the suspension of stationary non-insulated pipe lines
- Standard electro-zinc plated finish is cleaner, provides superior corrosion protection
- Conforms with Federal Specification WW-H-171 (Type 1), Manufacturers Standardization Society (MSS) SP-58 and SP-69 (Type 1)



Patent Pending

| Part Number | Nominal Pipe Size | RS  | A        | B      | Max. Rec. Load (lbs) |
|-------------|-------------------|-----|----------|--------|----------------------|
| 4270200EG   | 2"                | 3/8 | 4-11/16" | 3-3/8" | 610                  |
| 4270400EG   | 4"                | 5/8 | 7-3/4"   | 5-3/8" | 1130                 |



### Features

- UL® Listed and FM approved
- Each assembly comes individually bagged, ready to assemble
- Patent-pending slotted crossbeam design is easier and faster to assemble than conventional nut and bolt style hangers
- Notches in the crossbeam capture the top and bottom legs under load, minimizing deflection
- Meets FM deflection requirements without the need to install additional parts
- Has successfully passed the rigorous vibration testing requirements for both UL and FM



"The CADDY® SLOT LOCK Hanger is UL Listed under UL 203 for fire protection applications"



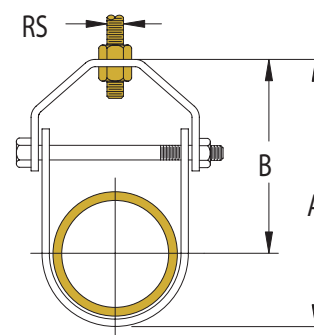
## CLEVIS HANGER 410

### Light Duty

- Size Range: 1/2" through 8"
- Surface Finish: Electro-zinc plated
- Recommended for the suspension of light stationary non-insulated pipe or conduit lines
- Conforms with Federal Specification WW-H-171 (Type 1), Manufacturers Standardization Society (MSS) SP-58 and SP-69 (Type 1)
- Standard electro-zinc plated finish is cleaner, provides superior corrosion protection



| Part Number | Nominal Pipe Size | RS  | A        | B         | Max. Rec. Load (lbs) |
|-------------|-------------------|-----|----------|-----------|----------------------|
| 4100050EG   | 1/2 "             | 3/8 | 2-1/8 "  | 1-5/8 "   | 150                  |
| 4100075EG   | 3/4 "             | 3/8 | 2-3/8 "  | 1-3/4 "   | 150                  |
| 4100100EG   | 1 "               | 3/8 | 2-3/4 "  | 2-1/16 "  | 250                  |
| 4100125EG   | 1-1/4 "           | 3/8 | 3-5/16 " | 2-3/8 "   | 250                  |
| 4100150EG   | 1-1/2 "           | 3/8 | 4 "      | 2-15/16 " | 250                  |
| 4100200EG   | 2 "               | 3/8 | 4-1/2 "  | 3-3/16 "  | 250                  |
| 4100250EG   | 2-1/2 "           | 1/2 | 5-1/4 "  | 3-11/16 " | 350                  |
| 4100300EG   | 3 "               | 1/2 | 6 "      | 4-3/16 "  | 350                  |
| 4100350EG   | 3-1/2 "           | 1/2 | 6-1/2 "  | 4-3/8 "   | 400                  |
| 4100400EG   | 4 "               | 5/8 | 7-3/4 "  | 5-3/8 "   | 500                  |
| 4100500EG   | 5 "               | 5/8 | 9-3/4 "  | 6-13/16 " | 600                  |
| 4100600EG   | 6 "               | 3/4 | 11-3/4 " | 8-1/4 "   | 800                  |
| 4100800EG   | 8 "               | 3/4 | 14 "     | 9-1/2 "   | 1200                 |





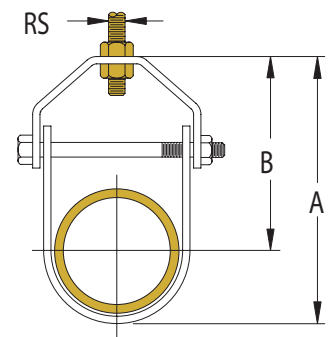
## CLEVIS HANGER 402

### Light Duty for Copper Tubing

- Size Range: 1/2" through 8"
- Surface Finish: Copper-colored coating (for identification purposes only)
- Recommended for the suspension of stationary non-insulated copper tubing lines
- Conforms with Federal Specification WW-H-171 (Type 12), Manufacturers Standardization Society (MSS) SP-58 and SP-69 (Type 1)



| Part Number | Nominal Pipe Size | RS  | A        | B        | Max. Rec. Load (lbs) |
|-------------|-------------------|-----|----------|----------|----------------------|
| 4020050CP   | 1/2"              | 3/8 | 2-1/16"  | 1-11/16" | 215                  |
| 4020075CP   | 3/4"              | 3/8 | 2-5/16"  | 1-13/16" | 215                  |
| 4020100CP   | 1"                | 3/8 | 3"       | 2-3/8"   | 215                  |
| 4020125CP   | 1-1/4"            | 3/8 | 2-3/4"   | 2"       | 215                  |
| 4020150CP   | 1-1/2"            | 3/8 | 3-5/16"  | 2-7/16"  | 215                  |
| 4020200CP   | 2"                | 3/8 | 4-1/16"  | 2-7/8"   | 215                  |
| 4020250CP   | 2-1/2"            | 1/2 | 4-13/16" | 3-5/16"  | 250                  |
| 4020300CP   | 3"                | 1/2 | 5-1/2"   | 3-3/4"   | 300                  |
| 4020350CP   | 3-1/2"            | 1/2 | 6-1/8"   | 4-1/8"   | 360                  |
| 4020400CP   | 4"                | 1/2 | 6-3/4"   | 4-1/2"   | 440                  |
| 4020500CP   | 5"                | 1/2 | 9-1/8"   | 6-3/8"   | 600                  |
| 4020600CP   | 6"                | 5/8 | 11-1/16" | 7-7/8"   | 760                  |
| 4020800CP   | 8"                | 3/4 | 14-7/8"  | 10-9/16" | 1160                 |





## CLEVIS HANGER 420

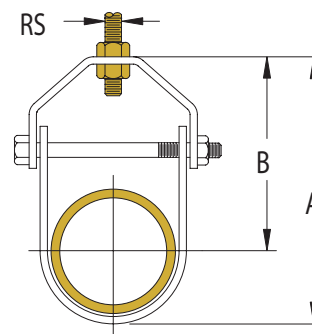
### Standard Duty Epoxy Coated

- Size Range: 1/2" through 8"
- Surface Finish: Epoxy Coated
- Recommended for the suspension of stationary non-insulated pipe lines where it is undesirable to have the steel of the hanger in direct contact with the pipe
- Conforms with Federal Specification WW-H-171 (Type 1), Manufacturers Standardization Society (MSS) SP-58 and SP-69 (Type 1)



| Part Number | Nominal Pipe Size | RS  | A        | B        | Max. Rec. Load (lbs) |
|-------------|-------------------|-----|----------|----------|----------------------|
| 4200050EP   | 1/2"              | 3/8 | 2-1/8"   | 1-5/8"   | 610                  |
| 4200075EP   | 3/4"              | 3/8 | 2-3/8"   | 1-3/4"   | 610                  |
| 4200100EP   | 1"                | 3/8 | 2-3/4"   | 2-1/16"  | 610                  |
| 4200125EP   | 1-1/4"            | 3/8 | 3-5/16"  | 2-3/8"   | 610                  |
| 4200150EP   | 1-1/2"            | 3/8 | 3-15/16" | 2-15/16" | 610                  |
| 4200200EP   | 2"                | 3/8 | 4-1/2"   | 3-1/4"   | 610                  |
| 4200250EP   | 2-1/2"            | 1/2 | 5-1/4"   | 3-3/4"   | 1130                 |
| 4200300EP   | 3"                | 1/2 | 6"       | 4-1/8"   | 1130                 |
| 4200400EP   | 4"                | 1/2 | 7-3/4"   | 5-3/8"   | 1130                 |
| 4200500EP   | 5"                | 1/2 | 9-3/4"   | 6-13/16" | 1430                 |
| 4200600EP   | 6"                | 1/2 | 11-3/4"  | 8-1/4"   | 1940                 |
| 4200800EP   | 8"                | 1/2 | 14"      | 9-1/2"   | 2000                 |

2-1/2" - 8"





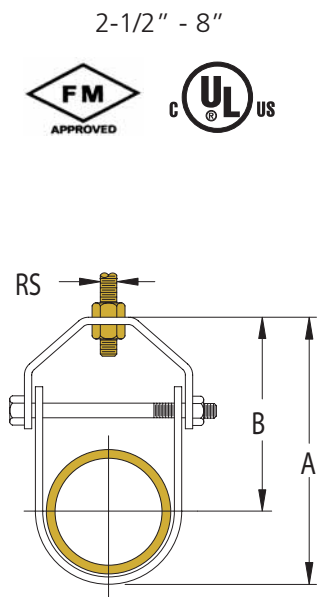
## CLEVIS HANGER 401RO

### Standard Duty

- Size Range: 1/2" through 24"
- Surface Finish: Red-oxide primer coating
- Recommended for the suspension of stationary non-insulated pipe lines
- Conforms with Federal Specification WW-H-171 (Type 1), Manufacturers Standardization Society (MSS) SP-58 and SP-69 (Type 1)



| Part Number | Nominal Pipe Size | RS    | A         | B         | Max. Rec. Load (lbs) |
|-------------|-------------------|-------|-----------|-----------|----------------------|
| 4010050RO   | 1/2 "             | 3/8   | 2-1/8 "   | 1-5/8 "   | 610                  |
| 4010075RO   | 3/4 "             | 3/8   | 2-3/8 "   | 1-3/4 "   | 610                  |
| 4010100RO   | 1 "               | 3/8   | 2-3/4 "   | 2-1/16 "  | 610                  |
| 4010125RO   | 1-1/4 "           | 3/8   | 3-5/16 "  | 2-3/8 "   | 610                  |
| 4010150RO   | 1-1/2 "           | 3/8   | 3-15/16 " | 2-15/16 " | 610                  |
| 4010200RO   | 2 "               | 3/8   | 4-1/2 "   | 3-1/4 "   | 610                  |
| 4010250RO   | 2-1/2 "           | 1/2   | 5-1/4 "   | 3-3/4 "   | 1130                 |
| 4010300RO   | 3 "               | 1/2   | 6 "       | 4-1/8 "   | 1130                 |
| 4010350RO   | 3-1/2 "           | 1/2   | 6-1/2 "   | 4-7/16 "  | 1130                 |
| 4010400RO   | 4 "               | 5/8   | 7-3/4 "   | 5-3/8 "   | 1130                 |
| 4010500RO   | 5 "               | 5/8   | 9-3/4 "   | 6-13/16 " | 1430                 |
| 4010600RO   | 6 "               | 3/4   | 11-3/4 "  | 8-1/4 "   | 1940                 |
| 4010800RO   | 8 "               | 3/4   | 14 "      | 9-1/2 "   | 2000                 |
| 4011000RO   | 10 "              | 7/8   | 16-1/2 "  | 10-7/8 "  | 3600                 |
| 4011200RO   | 12 "              | 7/8   | 18-5/8 "  | 12 "      | 3800                 |
| 4011400RO   | 14 "              | 1     | 21-3/4 "  | 14-1/2 "  | 4200                 |
| 4011600RO   | 16 "              | 1     | 24 "      | 15-3/4 "  | 4600                 |
| 4011800RO   | 18 "              | 1-1/8 | 26-3/4 "  | 17-1/2 "  | 4800                 |
| 4012000RO   | 20 "              | 1-1/4 | 30 "      | 19-5/8 "  | 4800                 |
| 4012400RO   | 24 "              | 1-1/4 | 34-1/8 "  | 21-3/4 "  | 4800                 |





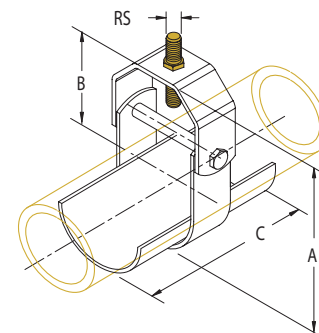
## CLEVIS HANGER 403

### Standard Duty with Insulation Shield

- Size Range: 1-1/2" through 22"
- Surface Finish: Electro-zinc plated
- Recommended for the suspension of stationary non-insulated pipe lines
- Conforms with Federal Specification WW-H-171 (Type 1), Manufacturers Standardization Society (MSS) SP-58 and SP-69 (Type 1)



| Part Number | Nominal Pipe Size | RS    | A         | B        | C   | Max. Rec. Load (lbs) |
|-------------|-------------------|-------|-----------|----------|-----|----------------------|
| 4030150EG   | 1-1/2"            | 3/8   | 5"        | 3-13/16" | 3"  | 610                  |
| 4030200EG   | 2"                | 3/8   | 5-5/16"   | 3-15/16" | 3"  | 610                  |
| 4030250EG   | 2-1/2"            | 1/2   | 6-3/16"   | 4-7/16"  | 4"  | 1130                 |
| 4030300EG   | 3"                | 1/2   | 6-3/4"    | 4-11/16" | 4"  | 1130                 |
| 4030350EG   | 3-1/2"            | 1/2   | 7-1/4"    | 4-15/16" | 4"  | 1130                 |
| 4030400EG   | 4"                | 5/8   | 7-1/4"    | 4-11/16" | 6"  | 1130                 |
| 4030450EG   | 4-1/2"            | 5/8   | 9-9/16"   | 6-7/8"   | 6"  | 1430                 |
| 4030500EG   | 5"                | 5/8   | 10"       | 6-15/16" | 6"  | 1430                 |
| 4030600EG   | 6"                | 3/4   | 11-1/16"  | 7-7/16"  | 6"  | 1940                 |
| 4030700EG   | 7"                | 3/4   | 12-15/16" | 8-7/8"   | 6"  | 1940                 |
| 4030800EG   | 8"                | 3/4   | 13-13/16" | 9-5/16"  | 6"  | 2000                 |
| 4030900EG   | 9"                | 7/8   | 14-3/8"   | 8-7/8"   | 6"  | 2000                 |
| 4031000EG   | 10"               | 7/8   | 16-5/16"  | 10-5/16" | 6"  | 3600                 |
| 4031100EG   | 11"               | 7/8   | 18-3/8"   | 11-7/8"  | 8"  | 3600                 |
| 4031200EG   | 12"               | 7/8   | 19-5/8"   | 12-5/8"  | 8"  | 3800                 |
| 4031400EG   | 14"               | 1     | 20-1/2"   | 13"      | 8"  | 4200                 |
| 4031500EG   | 15"               | 1     | 20-5/8"   | 12-3/8"  | 8"  | 4200                 |
| 4031600EG   | 16"               | 1     | 22-1/2"   | 14"      | 8"  | 4600                 |
| 4031700EG   | 17"               | 1-1/8 | 23-3/4"   | 14-3/4"  | 10" | 4600                 |
| 4031800EG   | 18"               | 1-1/8 | 25-13/16" | 16-3/4"  | 10" | 4800                 |
| 4031900EG   | 19"               | 1-1/4 | 27-1/2"   | 17-3/4"  | 10" | 4800                 |
| 4032000EG   | 20"               | 1-1/4 | 29"       | 18-3/8"  | 10" | 4800                 |
| 4032100EG   | 21"               | 1-1/4 | 29-1/4"   | 18-1/4"  | 10" | 4800                 |
| 4032200EG   | 22"               | 1-1/4 | 30-1/4"   | 18-5/8"  | 10" | 4800                 |



Flared edges  
on shield sizes  
thru 4 only





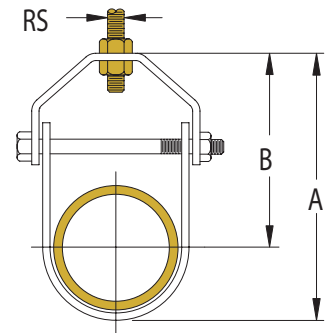
## CLEVIS HANGER 405

### Standard Duty AWWA Cast Iron Pipe

- Size Range: 3" through 24"
- Surface Finish: Black (Plain)
- Recommended for the suspension of stationary non-insulated cast iron pipe lines
- Conforms with Federal Specification WW-H-171 (Type 1), Manufacturers Standardization Society (MSS) SP-58 and SP-69 (Type 1)



| Part Number | Nominal Pipe Size | RS    | A        | B         | Max. Rec. Load (lbs) |
|-------------|-------------------|-------|----------|-----------|----------------------|
| 4050300PL   | 3"                | 1/2   | 6-11/16" | 4-1/2"    | 1130                 |
| 4050400PL   | 4"                | 5/8   | 8-3/8"   | 5-11/16"  | 1430                 |
| 4050600PL   | 6"                | 3/4   | 10-5/8"  | 7"        | 1940                 |
| 4050800PL   | 8"                | 7/8   | 13-1/4"  | 8-3/8"    | 2000                 |
| 4051000PL   | 10"               | 7/8   | 15-7/8"  | 10-1/8"   | 3600                 |
| 4051200PL   | 12"               | 7/8   | 17-3/8"  | 10-1/8"   | 3800                 |
| 4051400PL   | 14"               | 1     | 21-5/8"  | 13-1/2"   | 4200                 |
| 4051600PL   | 16"               | 1     | 23-3/4"  | 14-7/8"   | 4600                 |
| 4051800PL   | 18"               | 1-1/8 | 26-3/8"  | 16-1/2"   | 4800                 |
| 4052000PL   | 20"               | 1-1/4 | 29-5/8"  | 18-11/16" | 4800                 |
| 4052400PL   | 24"               | 1-1/4 | 34-7/8"  | 21-13/16" | 4800                 |





# NEW Products



## CADDY® SUPERFIX 454 SPLIT RING HANGER

- Recommended for the suspension of stationary non-insulated pipe lines
- EPDM rubber insulation for sound reduction compliant with DIN 4109
- Comes with a welded 3/8" cap nut, allowing easy attachment to threaded rod

See page 14



## Bell Hanger

- Mounting screw is recessed and has a pierce-point to penetrate metal studs
- Provides 13/16" standoff

See page 15





**NEW!**

**NEW!**



Page 14

**CADDY® SUPERFIX 454**



Page 15

**BH**



Page 15

**111**



Page 16

**455**



Page 17

**456**





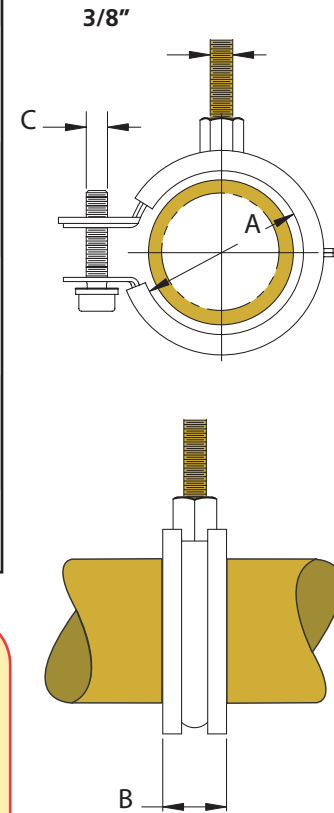
## CADDY® SUPERFIX 454 SPLIT RING HANGER

### Light Duty

- Size Range: 1/4" through 4"
- Surface Finish: Electro-zinc plated
- Recommended for the suspension of stationary non-insulated pipe lines
- EPDM rubber insulation for sound reduction compliant with DIN 4109
- Temperature range from -58°F to 230°F
- Conforms with Manufacturers Standardization Society (MSS) SP-58 and SP-69 (Type 12)



| Part Number | Nominal Pipe Size |        | A                  | B      | C     | Max. Rec. Load (lbs) |
|-------------|-------------------|--------|--------------------|--------|-------|----------------------|
|             | IP                | CT     |                    |        |       |                      |
| 454001      | 1/4"              | 3/8"   | 15/32" - 9/16"     | 29/32" | M6x25 | 180                  |
| 454002      | 3/8"              | 1/2"   | 19/32" - 3/4"      | 29/32" | M6x25 | 180                  |
| 454003      | -                 | 5/8"   | 19/32" - 3/4"      | 29/32" | M6x25 | 180                  |
| 454004      | 1/2"              | 3/4"   | 13/16" - 29/32"    | 29/32" | M6x25 | 180                  |
| 454005      | 3/4"              | 1"     | 1-1/32" - 1-3/32"  | 29/32" | M6x25 | 180                  |
| 454006      | 1"                | 1-1/4" | 1-1/4" - 1-3/8"    | 29/32" | M6x30 | 180                  |
| 454007      | 1-1/4"            | 1-1/2" | 1-9/16" - 1-11/16" | 29/32" | M6x30 | 180                  |
| 454008      | 1-1/2"            | -      | 1-3/4" - 1-15/16"  | 29/32" | M6x30 | 180                  |
| 454009      | -                 | 2"     | 2-1/8" - 2-9/32"   | 15/16" | M6x30 | 180                  |
| 454010      | 2"                | -      | 2-1/4" - 2-13/32"  | 29/32" | M6x30 | 180                  |
| 454011      | -                 | 2-1/2" | 2-1/2" - 2-5/8"    | 29/32" | M6x30 | 300                  |
| 454012      | 2-1/2"            | -      | 2-3/4" - 2-7/8"    | 15/16" | M6x30 | 300                  |
| 454013      | -                 | 3"     | 2-29/32" - 3-5/32" | 15/16" | M6x35 | 300                  |
| 454014      | 3"                | -      | 3-9/32" - 3-9/16"  | 15/16" | M6x35 | 300                  |
| 454015      | -                 | 3-1/2" | 3-5/8" - 3-15/16"  | 29/32" | M6x35 | 300                  |
| 454016      | 3-1/2"            | 4"     | 3-31/32" - 4-3/16" | 1-1/8" | M6x35 | 300                  |
| 454017      | 4"                | -      | 4-1/4" - 4-1/2"    | 1-1/8" | M6x40 | 300                  |



### Features

- Comes with a welded 3/8" cap nut, allowing easy attachment to threaded rod
- Equipped with an EPDM rubber sleeve that serves to minimize noise
- Has a fire rating DIN EN 13501-1:E



## BELL HANGER BH

### Light Duty

- Size Range: 1/2" through 1"
- Surface Finish: Copper plated
- Provides 13/16" standoff
- Mounting screw is recessed and has a pierce-point to penetrate metal studs

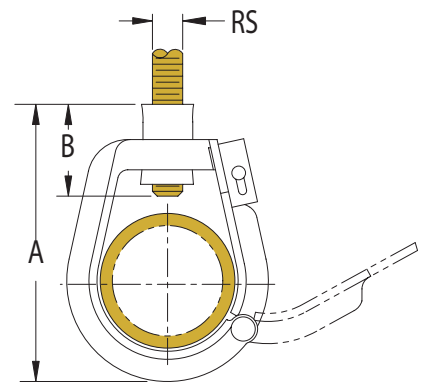


| Part Number | Nominal Pipe Size |
|-------------|-------------------|
| BH0050CP    | 1/2"              |
| BH0075CP    | 3/4"              |
| BH0100CP    | 1"                |

## SPLIT RING HANGER 111

### Malleable Iron Swivel Split Ring

- Size Range: 3/4" through 6"
- Surface Finish: Black
- Recommended for the suspension of stationary non-insulated pipe lines
- Conforms with Federal Specification WW-H-171 (Type 6), Manufacturers Standardization Society (MSS) SP-58 and SP-69 (Type 6)
- Offset hinge design allows for installation or removal of pipe after the hanger is installed
- Swivel insert allows for vertical adjustment during installation
- Locking clip allows for arm to be opened and closed without the use of tools
- Max. temperature service 450°F
- Locking clip and rivet are carbon steel



| Part Number | Nominal Pipe Size | RS   | A       | B       | Max. Rec. Load (lbs) |
|-------------|-------------------|------|---------|---------|----------------------|
| 1110075PL   | 3/4"              | 3/8" | 3"      | 1-5/16" | 300                  |
| 1110100PL   | 1"                | 3/8" | 3-1/4"  | 1-5/16" | 300                  |
| 1110125PL   | 1-1/4"            | 3/8" | 3-1/2"  | 1-5/16" | 300                  |
| 1110150PL   | 1-1/2"            | 3/8" | 3-7/8"  | 1-5/16" | 300                  |
| 1110200PL   | 2"                | 3/8" | 4-1/2"  | 1-5/16" | 300                  |
| 1110250PL   | 2-1/2"            | 1/2" | 6-3/8"  | 2-1/4"  | 500                  |
| 1110300PL   | 3"                | 1/2" | 7"      | 2-1/4"  | 500                  |
| 1110350PL   | 3-1/2"            | 1/2" | 7-7/8"  | 2-1/4"  | 500                  |
| 1110400PL   | 4"                | 5/8" | 9-1/8"  | 3-1/8"  | 900                  |
| 1110500PL   | 5"                | 5/8" | 10-3/4" | 3-1/8"  | 900                  |
| 1110600PL   | 6"                | 3/4" | 12"     | 3-3/8"  | 1300                 |



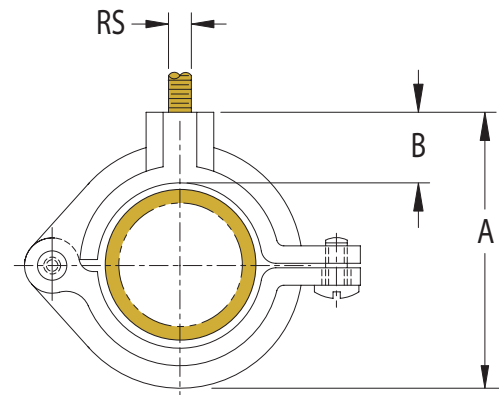
## SPLIT RING HANGER 455

### Malleable Iron Split Ring Stand-Off Hanger

- Size Range: 3/8" through 4"
- Surface Finish: Electro-zinc plated
- Recommended for the suspension of stationary non-insulated pipe lines
- Allows for piping runs close to ceiling or walls
- Conforms with Federal Specification WW-H-171 (Type 25), Manufacturers Standardization Society (MSS) SP-58 and SP-69 (Type 12)
- Bolt and rivet are carbon steel



| Part Number                       | Nominal Pipe Size | RS   | A       | B      | Max. Rec. Load (lbs) |
|-----------------------------------|-------------------|------|---------|--------|----------------------|
| <b>Plain Finish</b>               |                   |      |         |        |                      |
| 4550037PL                         | 3/8"              | 3/8" | 1-5/16" | 3/8"   | 180                  |
| 4550050PL                         | 1/2"              | 3/8" | 1-1/2"  | 3/8"   | 180                  |
| 4550075PL                         | 3/4"              | 3/8" | 1-3/4"  | 7/16"  | 180                  |
| 4550100PL                         | 1"                | 3/8" | 2"      | 7/16"  | 180                  |
| 4550125PL                         | 1-1/4"            | 3/8" | 2-3/8"  | 1/2"   | 180                  |
| 4550150PL                         | 1-1/2"            | 3/8" | 2-5/8"  | 1/2"   | 180                  |
| 4550200PL                         | 2"                | 3/8" | 3-1/8"  | 1/2"   | 180                  |
| 4550250PL                         | 2-1/2"            | 1/2" | 3-3/4"  | 5/8"   | 300                  |
| 4550300PL                         | 3"                | 1/2" | 4-3/8"  | 5/8"   | 300                  |
| 4550400PL                         | 4"                | 1/2" | 5-3/8"  | 11/16" | 300                  |
| <b>Electro-zinc Plated Finish</b> |                   |      |         |        |                      |
| 4550037EG                         | 3/8"              | 3/8" | 1-5/16" | 3/8"   | 180                  |
| 4550050EG                         | 1/2"              | 3/8" | 1-1/2"  | 3/8"   | 180                  |
| 4550075EG                         | 3/4"              | 3/8" | 1-3/4"  | 7/16"  | 180                  |
| 4550100EG                         | 1"                | 3/8" | 2"      | 7/16"  | 180                  |
| 4550125EG                         | 1-1/4"            | 3/8" | 2-3/8"  | 1/2"   | 180                  |
| 4550150EG                         | 1-1/2"            | 3/8" | 2-5/8"  | 1/2"   | 180                  |
| 4550200EG                         | 2"                | 3/8" | 3-1/8"  | 1/2"   | 180                  |
| 4550250EG                         | 2-1/2"            | 1/2" | 3-3/4"  | 5/8"   | 300                  |
| 4550300EG                         | 3"                | 1/2" | 4-3/8"  | 5/8"   | 300                  |
| 4550400EG                         | 4"                | 1/2" | 5-3/8"  | 11/16" | 300                  |



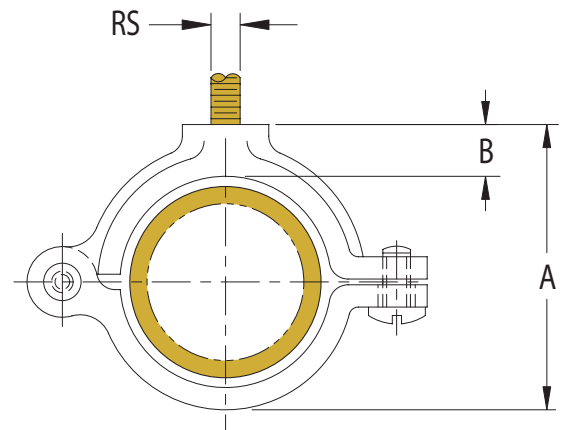
## SPLIT RING HANGER 456

### Malleable Iron Split Ring Stand-off Hanger for Copper Tubing

- Size Range: 3/8" through 3"
- Surface Finish: Copper-colored coating (for identification purposes only)
- Recommended for the suspension of stationary non-insulated copper tubing lines
- Allows for piping runs close to ceiling or walls
- Conforms with Federal Specification WW-H-171 (Type 25), Manufacturers Standardization Society (MSS) SP-58 and SP-69 (Type 12)
- Bolt and rivet are carbon steel



| Part Number | Nominal Pipe Size | RS   | A      | B     | Max. Rec. Load (lbs) |
|-------------|-------------------|------|--------|-------|----------------------|
| 4560037CP   | 3/8"              | 3/8" | 15/16" | 5/16" | 180                  |
| 4560050CP   | 1/2"              | 3/8" | 1-1/8" | 3/8"  | 180                  |
| 4560075CP   | 3/4"              | 3/8" | 1-3/8" | 3/8"  | 180                  |
| 4560100CP   | 1"                | 3/8" | 1-5/8" | 3/8"  | 180                  |
| 4560125CP   | 1-1/4"            | 3/8" | 1-7/8" | 3/8"  | 180                  |
| 4560150CP   | 1-1/2"            | 3/8" | 2-1/8" | 3/8"  | 180                  |
| 4560200CP   | 2"                | 3/8" | 2-5/8" | 3/8"  | 180                  |
| 4560250CP   | 2-1/2"            | 1/2" | 3-3/8" | 5/8"  | 180                  |
| 4560300CP   | 3"                | 1/2" | 3-7/8" | 5/8"  | 180                  |



# NEW Products



## SWIVEL LOOP HANGER 100

- Recommended for the suspension of stationary non-insulated pipe lines
- Features a retained insert nut to ensure that the loop hanger and insert nut stay together

See page 20



## LOOP HANGER SURGE RESTRAINT LHSR6

- Grips the loop hanger – not the nut – allowing fine tuning for height adjustment
- Installs without tools
- Restricts the upward surge movement of activated fire sprinkler systems

See page 20



|   |   |   |  |
|---|---|---|--|
|  <p><b>NEW</b></p> |  <p><b>NEW</b></p> |   |   |
| <p>Page 20</p> <p><b>100</b></p>  | <p>Page 20</p> <p><b>LHSR6</b></p>  | <p>Page 21</p> <p><b>115</b></p>  | <p>Page 22</p> <p><b>101</b></p>   |
|                    |                    |   |   |
| <p>Page 23</p> <p><b>100FL</b></p>  | <p>Page 24</p> <p><b>102</b></p>  | <p>Page 25</p> <p><b>102A</b></p>   | <p>Page 26</p> <p><b>103</b></p>   |
|                   |                   |  |  |
| <p>Page 27</p> <p><b>104</b></p>  | <p>Page 27</p> <p><b>VTR</b></p>  | <p>Page 28</p> <p><b>418</b></p>  | <p>Page 29</p> <p><b>418FL</b></p>   |



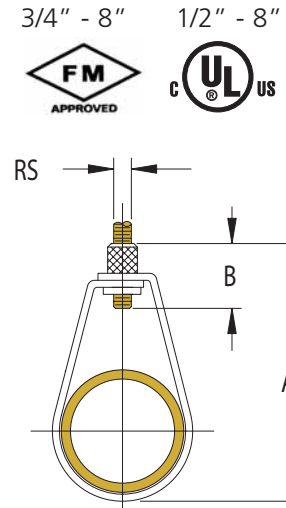
## SWIVEL LOOP HANGER 100

### Heavy Duty Adjustable Band Hanger

- Size Range: 1/2" through 8"
- Surface Finish: Electro-zinc plated
- Recommended for the suspension of stationary non-insulated pipe lines
- Features a retained insert nut to ensure that the loop hanger and insert nut stay together
- Conforms with Federal Specification WW-H-171 (Type 10), Manufacturers Standardization Society (MSS) SP-58 and SP-69 (Type 10)



| Part Number | Nominal Pipe Size | RS   | A        | B       | Max. Rec. Load (lbs) |
|-------------|-------------------|------|----------|---------|----------------------|
| 1000050EG   | 1/2"              | 3/8" | 2-3/4"   | 1"      | 300                  |
| 1000075EG   | 3/4"              | 3/8" | 3-1/16"  | 1"      | 300                  |
| 1000100EG   | 1"                | 3/8" | 3-5/16"  | 1"      | 300                  |
| 1000125EG   | 1-1/4"            | 3/8" | 3-9/16"  | 1"      | 300                  |
| 1000150EG   | 1-1/2"            | 3/8" | 3-13/16" | 1"      | 300                  |
| 1000200EG   | 2"                | 3/8" | 4-1/4"   | 1"      | 300                  |
| 1000250EG   | 2-1/2"            | 1/2" | 5-5/8"   | 1-1/4"  | 1000                 |
| 1000300EG   | 3"                | 1/2" | 6-9/16"  | 1-1/4"  | 1000                 |
| 1000350EG   | 3-1/2"            | 1/2" | 7"       | 1-1/4"  | 1000                 |
| 1000400EG   | 4"                | 5/8" | 7-3/4"   | 1-5/16" | 1100                 |
| 1000500EG   | 5"                | 5/8" | 9-1/8"   | 1-5/16" | 1100                 |
| 1000600EG   | 6"                | 3/4" | 10-5/8"  | 1-9/16" | 1250                 |
| 1000800EG   | 8"                | 7/8" | 13-1/8"  | 1-5/8"  | 1250                 |



## LOOP HANGER SURGE RESTRAINT LHSR6

### Heavy Duty Adjustable Band Hanger

- Size Range: fits 1/2" through 2" model 100 loop hangers
- Surface Finish: CADDY® COAT Black
- Restricts the upward surge movement of activated fire sprinkler systems
- Meets NFPA® 13 requirements
- One size fits 1/2" thru 2" sizes of the model 100 loop hanger
- Grips the loop hanger – not the nut – allowing fine tuning for height adjustment
- Installs without tools



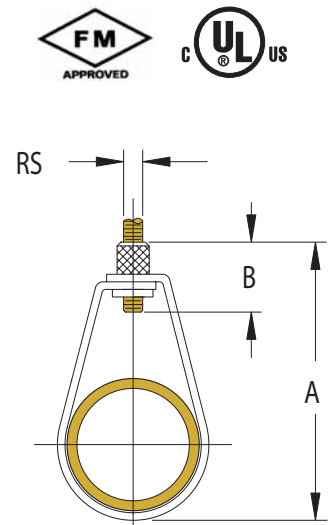
## SWIVEL LOOP HANGER 115

### Adjustable Band Hanger with NFPA Rod Sizes

- Size Range: 2-1/2" through 8"
- Surface Finish: Electro-zinc plated
- Recommended for the suspension of stationary non-insulated pipe lines
- Manufactured to use the minimum rod size permitted by NFPA for fire sprinkler piping
- Conforms with Federal Specification WW-H-171 (Type 10), Manufacturers Standardization Society (MSS) SP-58 and SP-69 (Type 10)



| Part Number | Nominal Pipe Size | RS   | A        | B      | Max. Rec. Load (lbs) |
|-------------|-------------------|------|----------|--------|----------------------|
| 1150250EG   | 2-1/2"            | 3/8" | 5-9/16"  | 1"     | 525                  |
| 1150300EG   | 3"                | 3/8" | 6-9/16"  | 1"     | 525                  |
| 1150350EG   | 3-1/2"            | 3/8" | 7-1/16"  | 1"     | 585                  |
| 1150400EG   | 4"                | 3/8" | 7-9/16"  | 1"     | 650                  |
| 1150500EG   | 5"                | 1/2" | 9-3/16"  | 1-1/4" | 1000                 |
| 1150600EG   | 6"                | 1/2" | 11-5/16" | 1-1/4" | 1000                 |
| 1150800EG   | 8"                | 1/2" | 12-7/8"  | 1-1/4" | 1000                 |



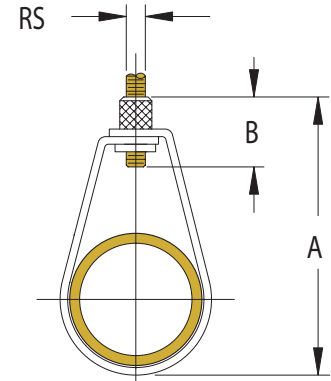
## SWIVEL LOOP HANGER 101

### Adjustable Band Hanger for Copper Tubing

- Size Range: 1/2" through 6"
- Surface Finish: Copper-colored coating (for identification purposes only)
- Recommended for the suspension of stationary non-insulated copper tubing lines
- Conforms with Federal Specification WW-H-171 (Type 10), Manufacturers Standardization Society (MSS) SP-58 and SP-69 (Type 10)



| Part Number | Nominal Pipe Size | RS   | A        | B       | Max. Rec. Load (lbs) |
|-------------|-------------------|------|----------|---------|----------------------|
| 1010050CP   | 1/2"              | 3/8" | 3-3/16"  | 1"      | 180                  |
| 1010075CP   | 3/4"              | 3/8" | 3-1/8"   | 1"      | 180                  |
| 1010100CP   | 1"                | 3/8" | 3-1/8"   | 1"      | 180                  |
| 1010125CP   | 1-1/4"            | 3/8" | 3-3/16"  | 1"      | 180                  |
| 1010150CP   | 1-1/2"            | 3/8" | 3-5/8"   | 1"      | 180                  |
| 1010200CP   | 2"                | 3/8" | 3-13/16" | 1"      | 180                  |
| 1010250CP   | 2-1/2"            | 3/8" | 4-7/16"  | 1"      | 200                  |
| 1010300CP   | 3"                | 1/2" | 5-11/16" | 1-1/4"  | 250                  |
| 1010350CP   | 3-1/2"            | 1/2" | 6-7/16"  | 1-1/4"  | 300                  |
| 1010400CP   | 4"                | 1/2" | 7-1/8"   | 1-1/4"  | 360                  |
| 1010500CP   | 5"                | 5/8" | 9-1/4"   | 1-5/16" | 480                  |
| 1010600CP   | 6"                | 3/4" | 11-3/16" | 1-9/16" | 630                  |



## SWIVEL LOOP HANGER 100FL

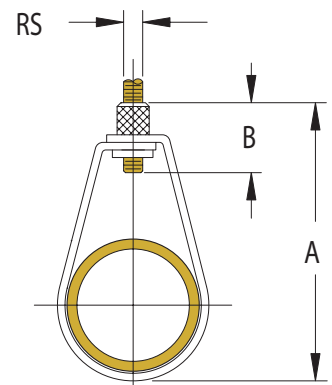
### Felt-lined Adjustable Band Hanger

- Size Range: 1/2" through 4"
- Surface Finish: Electro-zinc plated
- Recommended for the suspension of stationary non-insulated copper tubing lines to prevent electrolysis
- Felt lining also acts to reduce noise in pipes
- Conforms with Federal Specification WW-H-171 (Type 10), Manufacturers Standardization Society (MSS) SP-58 and SP-69 (Type 10)



| Part Number | Nominal Pipe Size | RS   | A        | B       | Max. Rec. Load (lbs) |
|-------------|-------------------|------|----------|---------|----------------------|
| 1000050FL   | 1/2"              | 3/8" | 2-3/4"   | 1"      | 300                  |
| 1000075FL   | 3/4"              | 3/8" | 3-1/16"  | 1"      | 300                  |
| 1000100FL   | 1"                | 3/8" | 3-5/16"  | 1"      | 300                  |
| 1000125FL   | 1-1/4"            | 3/8" | 3-9/16"  | 1"      | 300                  |
| 1000150FL   | 1-1/2"            | 3/8" | 3-13/16" | 1"      | 300                  |
| 1000200FL   | 2"                | 3/8" | 4-1/4"   | 1"      | 300                  |
| 1000250FL   | 2-1/2"            | 1/2" | 5-5/8"   | 1-1/4"  | 1000                 |
| 1000300FL   | 3"                | 1/2" | 6-9/16"  | 1-1/4"  | 1000                 |
| 1000350FL   | 3-1/2"            | 1/2" | 7"       | 1-1/4"  | 1000                 |
| 1000400FL   | 4"                | 5/8" | 7-3/4"   | 1-5/16" | 1100                 |

3/4" - 8"      1/2" - 8"



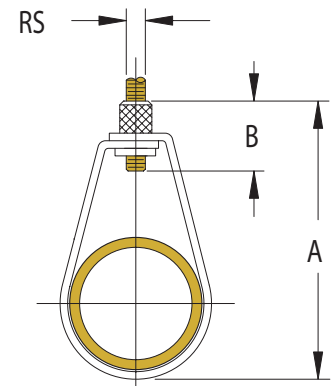
## SWIVEL LOOP HANGER 102

### PVC Coated Adjustable Band Hanger

- Size Range: 1/2" through 8"
- Surface Finish: Electro-zinc plated with a vinyl top coat
- Recommended for the suspension of stationary non-insulated pipe lines
- Conforms with Federal Specification WW-H-171 (Type 10), Manufacturers Standardization Society (MSS) SP-58 and SP-69 (Type 10)



| Part Number | Nominal Pipe Size | RS   | A        | B       | Max. Rec. Load (lbs) |
|-------------|-------------------|------|----------|---------|----------------------|
| 1020050VC   | 1/2"              | 3/8" | 3-1/8"   | 1"      | 300                  |
| 1020075VC   | 3/4"              | 3/8" | 3-1/16"  | 1"      | 300                  |
| 1020100VC   | 1"                | 3/8" | 3-3/16"  | 1"      | 300                  |
| 1020125VC   | 1-1/4"            | 3/8" | 3-1/2"   | 1"      | 300                  |
| 1020150VC   | 1-1/2"            | 3/8" | 3-15/16" | 1"      | 300                  |
| 1020200VC   | 2"                | 3/8" | 4-1/2"   | 1"      | 300                  |
| 1020250VC   | 2-1/2"            | 1/2" | 5-5/8"   | 1-1/4"  | 1000                 |
| 1020300VC   | 3"                | 1/2" | 6-9/16"  | 1-1/4"  | 1000                 |
| 1020350VC   | 3-1/2"            | 1/2" | 7"       | 1-1/4"  | 1000                 |
| 1020400VC   | 4"                | 5/8" | 7-3/4"   | 1-5/16" | 1100                 |
| 1020500VC   | 5"                | 5/8" | 9-1/8"   | 1-5/16" | 1100                 |
| 1020600VC   | 6"                | 3/4" | 10-5/8"  | 1-9/16" | 1250                 |
| 1020800VC   | 8"                | 7/8" | 13-1/8"  | 1-5/8"  | 1250                 |



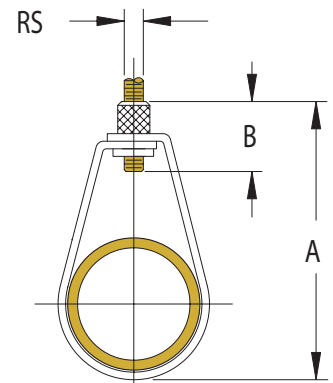
## SWIVEL LOOP HANGER 102A

### PVC Coated Adjustable Band Hanger for Copper Tubing

- Size Range: 1/2" through 6"
- Surface Finish: Copper colored coating with a vinyl top coat
- Recommended for the suspension of stationary non-insulated copper tubing lines where it is undesirable to have the steel of the hanger in direct contact with the copper tubing
- Conforms with Federal Specification WW-H-171 (Type 10), Manufacturers Standardization Society (MSS) SP-58 and SP-69 (Type 10)



| Part Number | Nominal Pipe Size | RS    | A        | B       | Max. Rec. Load (lbs) |
|-------------|-------------------|-------|----------|---------|----------------------|
| 102A0050VC  | 1/2 "             | 3/8 " | 3-3/16"  | 1"      | 180                  |
| 102A0075VC  | 3/4 "             | 3/8 " | 3-1/8"   | 1"      | 180                  |
| 102A0100VC  | 1 "               | 3/8 " | 3-1/8"   | 1"      | 180                  |
| 102A0125VC  | 1-1/4 "           | 3/8 " | 3-3/16"  | 1"      | 180                  |
| 102A0150VC  | 1-1/2 "           | 3/8 " | 3-5/8"   | 1"      | 180                  |
| 102A0200VC  | 2 "               | 3/8 " | 3-13/16" | 1"      | 180                  |
| 102A0250VC  | 2-1/2 "           | 1/2 " | 4-7/16"  | 1"      | 200                  |
| 102A0300VC  | 3 "               | 1/2 " | 5-11/16" | 1-1/4"  | 250                  |
| 102A0350VC  | 3-1/2 "           | 1/2 " | 6-7/16"  | 1-1/4"  | 300                  |
| 102A0400VC  | 4 "               | 1/2 " | 7-1/8"   | 1-1/4"  | 360                  |
| 102A0500VC  | 5 "               | 5/8 " | 9-1/4"   | 1-5/16" | 480                  |
| 102A0600VC  | 6 "               | 3/4 " | 11-3/16" | 1-9/16" | 630                  |



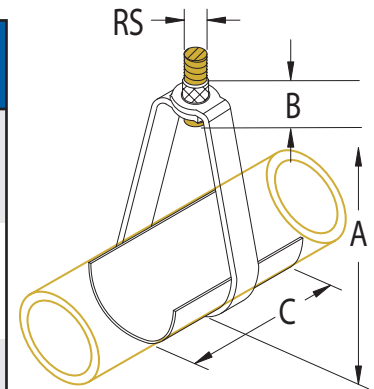
## SWIVEL LOOP HANGER 103

### Adjustable Band Hanger with Insulation Shield

- Size Range: 1-1/2" through 6"
- Surface Finish: Electro-zinc plated
- Recommended for the suspension of stationary low or high temperature piping where crush resistant material is installed at the point of support
- Protection shield is welded to loop before plating
- Flared edges on sizes through 4" only
- For sizes larger than 6" see Model 403 Clevis Hanger



| Part Number | Nominal Pipe Size | RS    | A         | B        | C   | Max. Rec. Load (lbs) |
|-------------|-------------------|-------|-----------|----------|-----|----------------------|
| 1030150EG   | 1-1/2 "           | 3/8 " | 3-13/16 " | 1 "      | 3 " | 300                  |
| 1030200EG   | 2 "               | 3/8 " | 4-1/4 "   | 1 "      | 3 " | 300                  |
| 1030250EG   | 2-1/2 "           | 1/2 " | 5-5/8 "   | 1-1/4 "  | 4 " | 1000                 |
| 1030300EG   | 3 "               | 1/2 " | 6-9/16 "  | 1-1/4 "  | 4 " | 1000                 |
| 1030350EG   | 3-1/2 "           | 1/2 " | 7 "       | 1-1/4 "  | 4 " | 1000                 |
| 1030400EG   | 4 "               | 5/8 " | 7-3/4 "   | 1-5/16 " | 6 " | 1100                 |
| 1030500EG   | 5 "               | 5/8 " | 9-1/8 "   | 1-5/16 " | 6 " | 1100                 |
| 1030600EG   | 6 "               | 3/4 " | 10-5/8 "  | 1-9/16 " | 6 " | 1250                 |



Flared edges on sizes thru 4" only.  
Insulation not included.



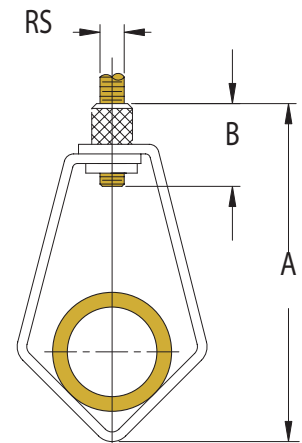
## SWIVEL LOOP HANGER 104

### Adjustable Band Hanger for Plastic Pipe

- Size Range: 1/2" through 4"
- Surface Finish: Electro-zinc plated
- Recommended for the suspension of stationary flexible EPDM or Polypropylene plastic piping
- Use hanger with V-trough (model VTR) for continuous support of flexible or hot piping services



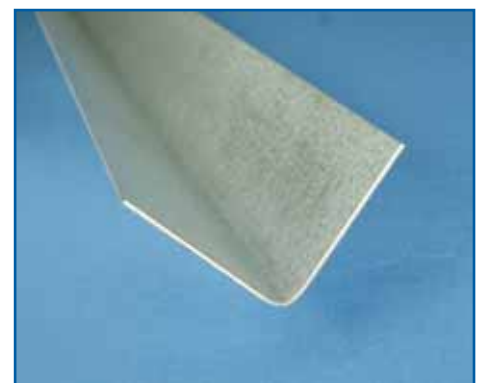
| Part Number | Size No. | Nominal Pipe Size | RS   | A      | B      | Max. Rec. Load (lbs) |
|-------------|----------|-------------------|------|--------|--------|----------------------|
| 1040100EG   | 1        | 1/2"              | 3/8" | 5-7/8" | 7/8"   | 175                  |
| 1040100EG   | 1        | 3/4"              | 3/8" | 5-7/8" | 7/8"   | 175                  |
| 1040100EG   | 1        | 1"                | 3/8" | 5-7/8" | 7/8"   | 175                  |
| 1040100EG   | 1        | 1-1/4"            | 3/8" | 5-7/8" | 7/8"   | 175                  |
| 1040100EG   | 1        | 1-1/2"            | 3/8" | 5-7/8" | 7/8"   | 175                  |
| 1040100EG   | 1        | 2"                | 3/8" | 5-7/8" | 7/8"   | 175                  |
| 1040200EG   | 2        | 2-1/2"            | 1/2" | 9-1/4" | 1-1/8" | 175                  |
| 1040200EG   | 2        | 3"                | 1/2" | 9-1/4" | 1-1/8" | 175                  |
| 1040200EG   | 2        | 3-1/2"            | 1/2" | 9-1/4" | 1-1/8" | 175                  |
| 1040200EG   | 2        | 4"                | 1/2" | 9-1/4" | 1-1/8" | 175                  |



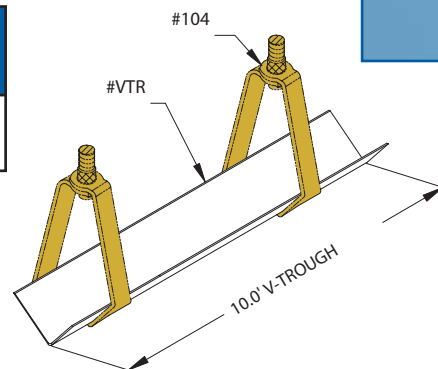
## CONTINUOUS SUPPORT VTR

### V-trough Support for Flexible or Hot Piping Services

- Surface Finish: Electro-zinc plated
- Used with the model 104 Hanger for continuous support of flexible or hot piping services



| Part Number | Nominal Pipe Size | Size |
|-------------|-------------------|------|
| VTR#11000   | 1/2" thru 2"      | #1   |
| VTR#21000   | 2-1/2" thru 4"    | #2   |



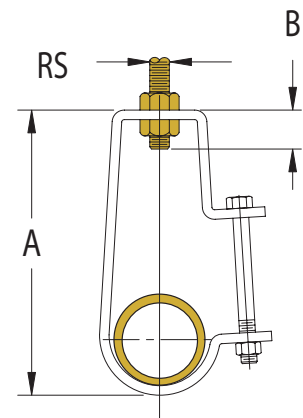
## J-HANGER 418

### Galvanized J-hanger

- Size Range: 1/2" through 8"
- Surface Finish: Electro-zinc plated
- Recommended for the suspension of stationary non-insulated pipe lines
- T-slot hole for bolt head permits disengagement of side bolt without removing the nut (sizes 1/2" thru 4" only)
- Side hole permits wall mounting (sizes 1/2" thru 4" only)
- Conforms Manufacturers Standardization Society (MSS) SP-58 and SP-69 (Type 5)



| Part Number | Nominal Pipe Size | RS   | A        | B       | Max. Rec. Load (lbs) |
|-------------|-------------------|------|----------|---------|----------------------|
| 4180050EG   | 1/2"              | 3/8" | 3"       | 9/16"   | 400                  |
| 4180075EG   | 3/4"              | 3/8" | 3-3/8"   | 9/16"   | 400                  |
| 4180100EG   | 1"                | 3/8" | 3-11/16" | 9/16"   | 400                  |
| 4180125EG   | 1-1/4"            | 3/8" | 4-1/2"   | 9/16"   | 400                  |
| 4180150EG   | 1-1/2"            | 3/8" | 4-13/16" | 9/16"   | 400                  |
| 4180200EG   | 2"                | 3/8" | 5-11/16" | 9/16"   | 400                  |
| 4180250EG   | 2-1/2"            | 1/2" | 6-3/4"   | 11/16"  | 800                  |
| 4180300EG   | 3"                | 1/2" | 7-11/16" | 11/16"  | 800                  |
| 4180350EG   | 3-1/2"            | 1/2" | 8-3/8"   | 11/16"  | 800                  |
| 4180400EG   | 4"                | 5/8" | 9-3/16"  | 13/16"  | 800                  |
| 4180500EG   | 5"                | 5/8" | 10"      | 13/16"  | 800                  |
| 4180600EG   | 6"                | 3/4" | 11-5/8"  | 15/16"  | 1000                 |
| 4180800EG   | 8"                | 3/4" | 14-1/16" | 1-1/16" | 1200                 |



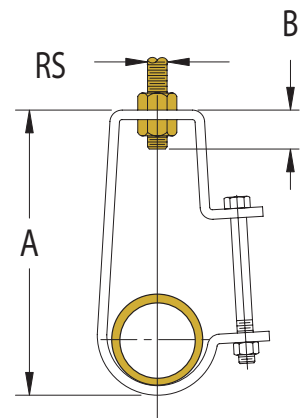
## J-HANGER 418FL

### Galvanized Felt-lined J-hanger

- Size Range: 1/2" through 4"
- Surface Finish: Electro-zinc plated
- Recommended for the suspension of stationary non-insulated pipe lines
- Felt lining also acts to reduce noise in pipes
- T-slot hole for bolt head permits disengagement of side bolt without removing the nut
- Side hole permits wall mounting
- Conforms Manufacturers Standardization Society (MSS) SP-58 and SP-69 (Type 5)



| Part Number | Nominal Pipe Size | RS   | A        | B      | Max. Rec. Load (lbs) |
|-------------|-------------------|------|----------|--------|----------------------|
| 4180050FL   | 1/2"              | 3/8" | 3"       | 9/16"  | 400                  |
| 4180075FL   | 3/4"              | 3/8" | 3-3/8"   | 9/16"  | 400                  |
| 4180100FL   | 1"                | 3/8" | 3-11/16" | 9/16"  | 400                  |
| 4180125FL   | 1-1/4"            | 3/8" | 4-1/2"   | 9/16"  | 400                  |
| 4180150FL   | 1-1/2"            | 3/8" | 4-13/16" | 9/16"  | 400                  |
| 4180200FL   | 2"                | 3/8" | 5-1/16"  | 9/16"  | 400                  |
| 4180250FL   | 2-1/2"            | 1/2" | 6-3/4"   | 11/16" | 800                  |
| 4180300FL   | 3"                | 1/2" | 7-11/16" | 11/16" | 800                  |
| 4180350FL   | 3-1/2"            | 1/2" | 8-9/16"  | 11/16" | 800                  |
| 4180400FL   | 4"                | 5/8" | 9-3/16"  | 13/16" | 800                  |



# NEW Products



## CADDY® EZ RISER

- Recommended for suspending vertical steel pipe risers
- Slotted holes make assembly a snap – no fumbling with loose hardware
- Bolts are accessible from the front, serrated washer head design means no wrench required on back side for tightening

See page 32



**NEW**



Page 32

**CADDY® EZ RISER**



Page 33

**510RO**



Page 34

**511**



Page 35

**520**



Page 36

**450**



Page 37

**451**



Page 38

**452**



Page 39

**453**



Page 40

**700**



Page 41

**705**



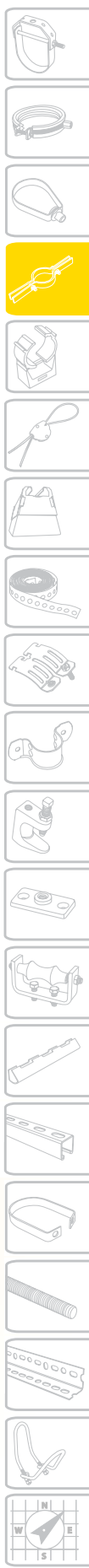
Page 42

**517**



Page 42

**516**



## CADDY® EZ RISER

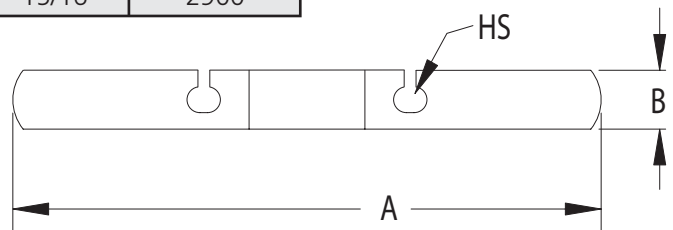
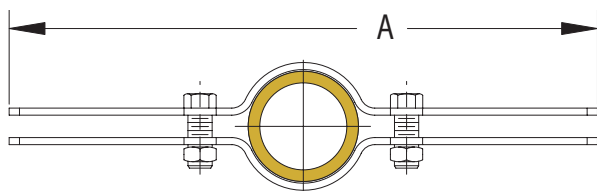
### Vertical Pipe Support

- Size Range: 1/2" through 24"
- Surface Finish: Electro-zinc plated
- Recommended for suspending vertical steel pipe risers
- Slotted holes make assembly a snap – no fumbling with loose hardware
- Bolts are accessible from the front, serrated washer head design means no wrench required on back side for tightening
- Standard electro-zinc plated finish is cleaner, provides superior corrosion protection
- Conforms with Federal Specification WW-H-171 (Type 8), Manufacturers Standardization Society (MSS) SP-58 and SP-69 (Type 8)



**NOTE:** Clamp is fitted for steel pipe and should be installed below a coupling or shear lug, with bolts torqued to recommended value

| Part Number | Nominal Pipe Size | A         | B       | HS     | Max. Rec. Load (lbs) |
|-------------|-------------------|-----------|---------|--------|----------------------|
| 5100050EG   | 1/2"              | 8-1/2"    | 1"      | 7/16"  | 255                  |
| 5100075EG   | 3/4"              | 9"        | 1"      | 7/16"  | 255                  |
| 5100100EG   | 1"                | 9"        | 1"      | 7/16"  | 255                  |
| 5100125EG   | 1-1/4"            | 9-7/16"   | 1"      | 7/16"  | 255                  |
| 5100150EG   | 1-1/2"            | 9-7/8"    | 1"      | 7/16"  | 255                  |
| 5100200EG   | 2"                | 10-1/4"   | 1-3/16" | 7/16"  | 255                  |
| 5100250EG   | 2-1/2"            | 11"       | 1-3/16" | 7/16"  | 390                  |
| 5100300EG   | 3"                | 11-3/4"   | 1-3/16" | 7/16"  | 530                  |
| 5100350EG   | 3-1/2"            | 12-5/8"   | 1-3/16" | 9/16"  | 670                  |
| 5100400EG   | 4"                | 13"       | 1-1/2"  | 9/16"  | 810                  |
| 5100500EG   | 5"                | 14-1/2"   | 1-1/2"  | 9/16"  | 1160                 |
| 5100600EG   | 6"                | 16"       | 2"      | 9/16"  | 1570                 |
| 5100800EG   | 8"                | 18-1/4"   | 2"      | 11/16" | 2500                 |
| 5101000EG   | 10"               | 20-5/8"   | 2"      | 11/16" | 2500                 |
| 5101200EG   | 12"               | 22-3/8"   | 2"      | 11/16" | 2700                 |
| 5101400EG   | 14"               | 24-1/8"   | 2"      | 11/16" | 2700                 |
| 5101600EG   | 16"               | 27-7/8"   | 2-1/2"  | 13/16" | 2900                 |
| 5101800EG   | 18"               | 29-13/16" | 2-1/2"  | 13/16" | 2900                 |
| 5102000EG   | 20"               | 32-1/4"   | 2-1/2"  | 13/16" | 2900                 |
| 5102400EG   | 24"               | 36-1/8"   | 3"      | 15/16" | 2900                 |



## RISER CLAMP 510RO

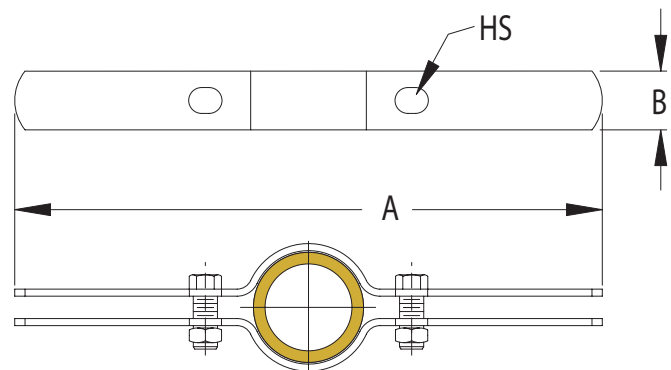
### Vertical Pipe Support with Red Oxide Coating

- Size Range: 1/2" through 12"
- Surface Finish: Red-oxide primer coating
- Recommended for suspending vertical steel pipe risers
- Conforms with Federal Specification WW-H-171 (Type 8), Manufacturers Standardization Society (MSS) SP-58 and SP-69 (Type 8)



**NOTE:** Clamp is fitted for steel pipe and should be installed below a coupling or shear lug, with bolts torqued to recommended value

| Part Number | Nominal Pipe Size | A       | B       | HS     | Max. Rec. Load (lbs) |
|-------------|-------------------|---------|---------|--------|----------------------|
| 5100050RO   | 1/2"              | 8-1/2"  | 1"      | 7/16"  | 255                  |
| 5100075RO   | 3/4"              | 9"      | 1"      | 7/16"  | 255                  |
| 5100100RO   | 1"                | 9"      | 1"      | 7/16"  | 255                  |
| 5100125RO   | 1-1/4"            | 9-7/16" | 1"      | 7/16"  | 255                  |
| 5100150RO   | 1-1/2"            | 9-7/8"  | 1"      | 7/16"  | 255                  |
| 5100200RO   | 2"                | 10-1/4" | 1-3/16" | 7/16"  | 255                  |
| 5100250RO   | 2-1/2"            | 11"     | 1-3/16" | 7/16"  | 390                  |
| 5100300RO   | 3"                | 11-3/4" | 1-3/16" | 7/16"  | 530                  |
| 5100350RO   | 3-1/2"            | 12-5/8" | 1-3/16" | 9/16"  | 670                  |
| 5100400RO   | 4"                | 13"     | 1-1/2"  | 9/16"  | 810                  |
| 5100500RO   | 5"                | 14-1/2" | 1-1/2"  | 9/16"  | 1160                 |
| 5100600RO   | 6"                | 16"     | 2"      | 9/16"  | 1570                 |
| 5100800RO   | 8"                | 18-1/4" | 2"      | 11/16" | 2500                 |
| 5101000RO   | 10"               | 20-5/8" | 2"      | 11/16" | 2500                 |
| 5101200RO   | 12"               | 22-3/8" | 2"      | 11/16" | 2700                 |



## RISER CLAMP 511

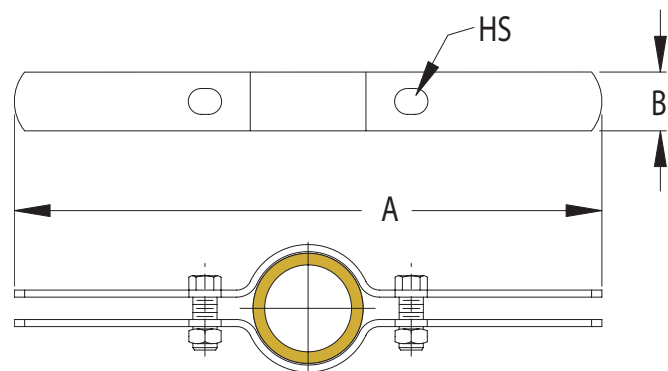
### Vertical Support for Copper Tubing

- Size Range: 1/2" through 6"
- Surface Finish: Copper-colored coating (for identification purposes only)
- Recommended for suspending vertical type K or L copper tubing risers
- Conforms with Federal Specification WW-H-171 (Type 8), Manufacturers Standardization Society (MSS) SP-58 and SP-69 (Type 8)



**NOTE:** Clamp is fitted for steel pipe and should be installed below a coupling or shear lug, with bolts torqued to recommended value

| Part Number | Nominal Pipe Size | A       | B      | HS    | Max. Rec. Load (lbs) |
|-------------|-------------------|---------|--------|-------|----------------------|
| 5110050CP   | 1/2"              | 8-1/2"  | 1"     | 7/16" | 75                   |
| 5110075CP   | 3/4"              | 9-1/4"  | 1"     | 7/16" | 75                   |
| 5110100CP   | 1"                | 9-1/4"  | 1"     | 7/16" | 120                  |
| 5110125CP   | 1-1/4"            | 9-1/2"  | 1-1/4" | 7/16" | 150                  |
| 5110150CP   | 1-1/2"            | 9-1/2"  | 1-1/4" | 7/16" | 150                  |
| 5110200CP   | 2"                | 10-3/8" | 1-1/4" | 7/16" | 150                  |
| 5110250CP   | 2-1/2"            | 11"     | 1-1/4" | 7/16" | 300                  |
| 5110300CP   | 3"                | 12"     | 1-1/4" | 7/16" | 300                  |
| 5110400CP   | 4"                | 12-1/2" | 1-1/4" | 7/16" | 300                  |
| 5110500CP   | 5"                | 14-5/8" | 1-1/2" | 9/16" | 500                  |
| 5110600CP   | 6"                | 15"     | 2"     | 9/16" | 600                  |



## RISER CLAMP 520

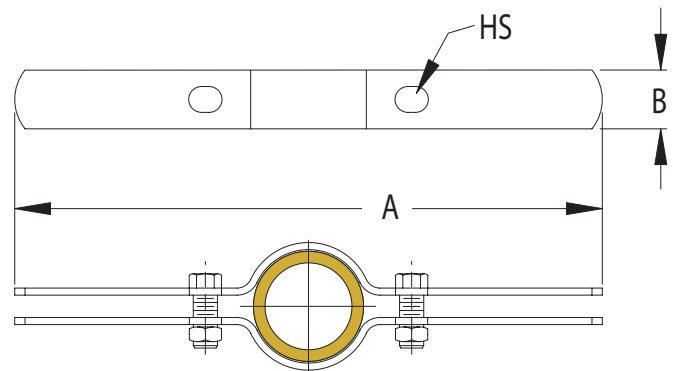
### Vertical Pipe Support with Epoxy Coating

- Size Range: 1/2" through 8"
- Surface Finish: Epoxy Coated
- Recommended for suspending vertical steel pipe risers where it is undesirable to have the steel of the hanger in direct contact with the pipe
- Conforms with Federal Specification WW-H-171 (Type 8), Manufacturers Standardization Society (MSS) SP-58 and SP-69 (Type 8)



**NOTE:** Clamp is fitted for steel pipe and should be installed below a coupling or shear lug, with bolts torqued to recommended value

| Part Number | Nominal Pipe Size | A       | B       | HS     | Max. Rec. Load (lbs) |
|-------------|-------------------|---------|---------|--------|----------------------|
| 5200050EP   | 1/2"              | 8-1/2"  | 1"      | 7/16"  | 255                  |
| 5200075EP   | 3/4"              | 9"      | 1"      | 7/16"  | 255                  |
| 5200100EP   | 1"                | 9"      | 1"      | 7/16"  | 255                  |
| 5200125EP   | 1-1/4"            | 9-7/16" | 1"      | 7/16"  | 255                  |
| 5200150EP   | 1-1/2"            | 9-7/8"  | 1"      | 7/16"  | 255                  |
| 5200200EP   | 2"                | 10-1/4" | 1-3/16" | 7/16"  | 255                  |
| 5200250EP   | 2-1/2"            | 11"     | 1-3/16" | 7/16"  | 390                  |
| 5200300EP   | 3"                | 11-3/4" | 1-3/16" | 7/16"  | 530                  |
| 5200400EP   | 4"                | 13"     | 1-1/2"  | 9/16"  | 810                  |
| 5200500EP   | 5"                | 14-1/2" | 1-1/2"  | 9/16"  | 1160                 |
| 5200600EP   | 6"                | 16"     | 2"      | 9/16"  | 1570                 |
| 5200800EP   | 8"                | 18-1/4" | 2"      | 11/16" | 2500                 |



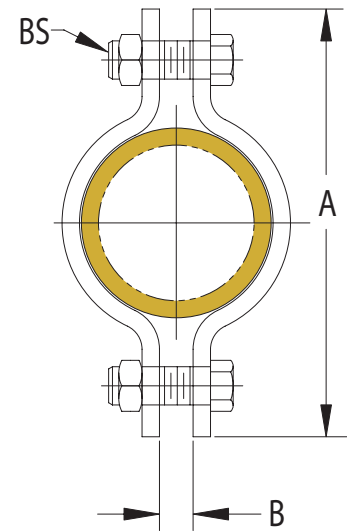
## STANDARD PIPE CLAMP 450

### Standard Duty

- Size Range: 1/2" through 30"
- Surface Finish: Black
- Industrial pipe hanger for hot or cold service where no insulation is required
- Normally used in conjunction with a #40 Eye Rod or a #35 Forged Steel Eye Nut
- Conforms with Federal Specification WW-H-171 (Type 4), Manufacturers Standardization Society (MSS) SP-58 and SP-69 (Type 4)



| Part Number | Nominal Pipe Size | A        | B      | BS     | Max. Rec. Load (lbs) |
|-------------|-------------------|----------|--------|--------|----------------------|
| 4500050PL   | 1/2"              | 3-1/16"  | 7/16"  | 5/16"  | 500                  |
| 4500075PL   | 3/4"              | 3-5/16"  | 7/16"  | 5/16"  | 500                  |
| 4500100PL   | 1"                | 3-11/16" | 7/16"  | 5/16"  | 500                  |
| 4500125PL   | 1-1/4"            | 3-15/16" | 7/16"  | 5/16"  | 500                  |
| 4500150PL   | 1-1/2"            | 4-7/16"  | 5/8"   | 5/16"  | 800                  |
| 4500200PL   | 2"                | 5-3/8"   | 5/8"   | 1/2"   | 1040                 |
| 4500250PL   | 2-1/2"            | 6-3/8"   | 5/8"   | 1/2"   | 1040                 |
| 4500300PL   | 3"                | 7-1/8"   | 5/8"   | 1/2"   | 1040                 |
| 4500350PL   | 3-1/2"            | 7-1/2"   | 5/8"   | 1/2"   | 1040                 |
| 4500400PL   | 4"                | 8-3/4"   | 5/8"   | 5/8"   | 1040                 |
| 4500500PL   | 5"                | 9-11/16" | 5/8"   | 5/8"   | 1040                 |
| 4500600PL   | 6"                | 11-5/8"  | 7/8"   | 3/4"   | 1615                 |
| 4500800PL   | 8"                | 13-7/8"  | 1"     | 3/4"   | 1615                 |
| 4501000PL   | 10"               | 17-1/8"  | 1"     | 7/8"   | 2490                 |
| 4501200PL   | 12"               | 19-1/8"  | 1"     | 7/8"   | 2490                 |
| 4501400PL   | 14"               | 21-1/4"  | 1-1/8" | 7/8"   | 2490                 |
| 4501600PL   | 16"               | 23-1/4"  | 1-1/8" | 7/8"   | 2490                 |
| 4501800PL   | 18"               | 26"      | 1-1/4" | 1"     | 3060                 |
| 4502000PL   | 20"               | 28-1/4"  | 1-3/8" | 1-1/8" | 3060                 |
| 4502400PL   | 24"               | 33-3/4"  | 1-5/8" | 1-1/4" | 3060                 |
| 4503000PL   | 30"               | 42"      | 2"     | 1-3/4" | 3500                 |



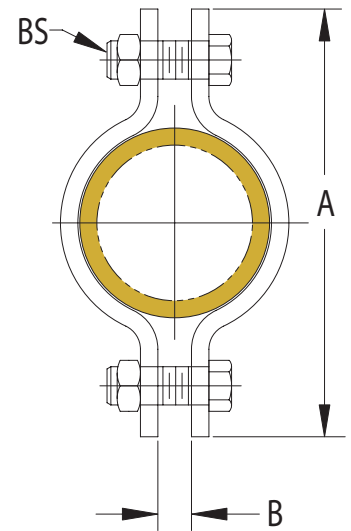
## STANDARD PIPE CLAMP 451

### Heavy Duty

- Size Range: 3" through 24"
- Surface Finish: Black
- Industrial pipe hanger for hot or cold service where no insulation is required
- Normally used in conjunction with a #40 Eye Rod or a #35 Forged Steel Eye Nut
- Conforms with Federal Specification WW-H-171 (Type 4), Manufacturers Standardization Society (MSS) SP-58 and SP-69 (Type 4)



| Part Number | Nominal Pipe Size | A       | B      | BS     | Max. Rec. Load (lbs) |
|-------------|-------------------|---------|--------|--------|----------------------|
| 4510300EG   | 3"                | 8"      | 1"     | 3/4"   | 3370                 |
| 4510400EG   | 4"                | 9-3/4"  | 1"     | 7/8"   | 3515                 |
| 4510500EG   | 5"                | 11"     | 1"     | 7/8"   | 3515                 |
| 4510600EG   | 6"                | 13-1/4" | 1-1/8" | 1"     | 4865                 |
| 4510800EG   | 8"                | 15-1/4" | 1-1/8" | 1"     | 4865                 |
| 4511000EG   | 10"               | 18-1/8" | 1-1/4" | 1-1/4" | 6010                 |
| 4511200EG   | 12"               | 21-3/4" | 1-5/8" | 1-1/2" | 8675                 |
| 4511400EG   | 14"               | 23-3/4" | 1-5/8" | 1-1/2" | 9120                 |
| 4511600EG   | 16"               | 25-3/4" | 1-5/8" | 1-1/2" | 9120                 |
| 4511800EG   | 18"               | 38-1/2" | 3"     | 2"     | 13800                |
| 4512000EG   | 20"               | 42-1/8" | 3"     | 2"     | 15300                |
| 4512400EG   | 24"               | 48-1/4" | 3-1/4" | 2-1/4" | 16300                |



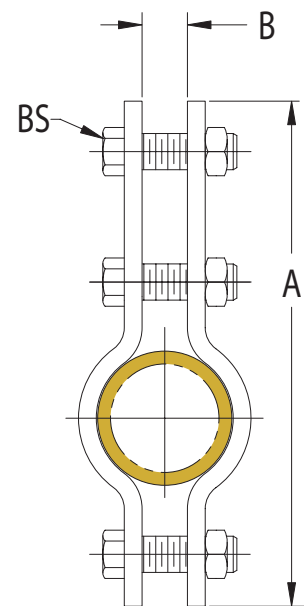
## STANDARD PIPE CLAMP 452

### Double Bolt Pipe Clamp

- Size Range: 1/2" through 24"
- Surface Finish: Black
- Industrial pipe hanger for hot service with up to 4" of insulation and where flexibility at rod attachment is desired
- Load bolt will extend past 4" of insulation on pipe sizes 6" and larger
- Normally used in conjunction with a #40 Eye Rod or a #35 Forged Steel Eye Nut
- Conforms with Federal Specification WW-H-171 (Type 3), Manufacturers Standardization Society (MSS) SP-58 and SP-69 (Type 3)



| Part Number | Nominal Pipe Size | A         | B       | BS     | Max. Rec. Load (lbs) |
|-------------|-------------------|-----------|---------|--------|----------------------|
| 4520050PL   | 1/2"              | 4-1/2"    | 5/8"    | 3/8"   | 850                  |
| 4520075PL   | 3/4"              | 5-7/16"   | 5/8"    | 3/8"   | 850                  |
| 4520100PL   | 1"                | 5-1/2"    | 5/8"    | 3/8"   | 850                  |
| 4520125PL   | 1-1/4"            | 5-5/8"    | 5/8"    | 3/8"   | 850                  |
| 4520150PL   | 1-1/2"            | 7-7/8"    | 1"      | 5/8"   | 1380                 |
| 4520200PL   | 2"                | 8-1/8"    | 1"      | 5/8"   | 1380                 |
| 4520250PL   | 2-1/2"            | 8-3/4"    | 1"      | 5/8"   | 1380                 |
| 4520300PL   | 3"                | 9-3/8"    | 1"      | 5/8"   | 1380                 |
| 4520400PL   | 4"                | 12-1/8"   | 1-1/16" | 3/4"   | 2230                 |
| 4520500PL   | 5"                | 13-1/8"   | 1-1/16" | 3/4"   | 2230                 |
| 4520600PL   | 6"                | 16"       | 1-7/16" | 1"     | 2555                 |
| 4520800PL   | 8"                | 18-1/16"  | 1-7/16" | 1"     | 2555                 |
| 4521000PL   | 10"               | 20-7/8"   | 1-7/16" | 1"     | 2890                 |
| 4521200PL   | 12"               | 22-7/8"   | 1-7/16" | 1"     | 2890                 |
| 4521400PL   | 14"               | 25-5/16"  | 2"      | 1-1/4" | 3835                 |
| 4521600PL   | 16"               | 27-5/16"  | 2"      | 1-1/4" | 3835                 |
| 4521800PL   | 18"               | 29-5/16"  | 2"      | 1-1/4" | 3835                 |
| 4522000PL   | 20"               | 31-15/16" | 2"      | 1-1/2" | 4015                 |
| 4522400PL   | 24"               | 35-15/16" | 2"      | 1-1/2" | 4900                 |



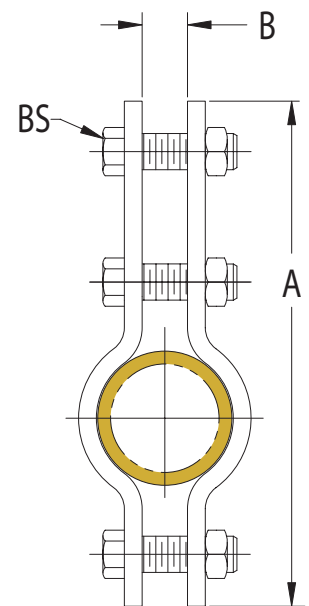
## STANDARD PIPE CLAMP 453

### Heavy Duty Double Bolt Pipe Clamp

- Size Range: 6" through 24"
- Surface Finish: Black
- Industrial heavy load pipe hanger for hot service with up to 4" of insulation and where flexibility at rod attachment is desired
- Load bolt will extend past 4" of insulation
- Normally used in conjunction with a #40 Eye Rod or a #35 Forged Steel Eye Nut
- Conforms with Federal Specification WW-H-171 (Type 3), Manufacturers Standardization Society (MSS) SP-58 and SP-69 (Type 3)



| Part Number | Nominal Pipe Size | A       | B      | BS     | Max. Rec. Load (lbs) |
|-------------|-------------------|---------|--------|--------|----------------------|
| 4530600PL   | 6"                | 16-1/4" | 1-3/4" | 1"     | 3125                 |
| 4530800PL   | 8"                | 18-5/8" | 2"     | 1-1/8" | 4285                 |
| 4531000PL   | 10"               | 22-1/8" | 2-1/4" | 1-1/4" | 4910                 |
| 4531200PL   | 12"               | 25-3/4" | 2-1/2" | 1-1/2" | 6250                 |
| 4531400PL   | 14"               | 27-5/8" | 2-1/2" | 1-1/2" | 8485                 |
| 4531600PL   | 16"               | 30-1/4" | 3"     | 1-3/4" | 8930                 |
| 4531800PL   | 18"               | 34-3/4" | 3-1/2" | 2"     | 12325                |
| 4532000PL   | 20"               | 36-3/4" | 3-1/2" | 2"     | 13665                |
| 4532400PL   | 24"               | 42-1/4" | 3-1/2" | 2"     | 14555                |



## STANDARD PIPE CLAMP 700

### Offset Pipe Clamp

- Size Range: 1/2" through 8"
- Surface Finish: Black
- Industrial pipe hanger to support piping away from wall or floor



| Part Number | Nominal Pipe Size | A       | B        | HS   | Max. Rec. Load (lbs) |
|-------------|-------------------|---------|----------|------|----------------------|
| 7000050PL   | 1/2"              | 9-3/4"  | 3-3/8"   | 3/8" | 190                  |
| 7000075PL   | 3/4"              | 8-7/16" | 3-5/16"  | 3/8" | 200                  |
| 7000100PL   | 1"                | 9-1/16" | 3-9/16"  | 3/8" | 200                  |
| 7000125PL   | 1-1/4"            | 9-3/8"  | 3-15/16" | 3/8" | 200                  |
| 7000150PL   | 1-1/2"            | 9-3/4"  | 4-1/8"   | 3/8" | 200                  |
| 7000200PL   | 2"                | 10-5/8" | 4-5/8"   | 3/8" | 410                  |
| 7000250PL   | 2-1/2"            | 11-5/8" | 5-1/8"   | 3/8" | 410                  |
| 7000300PL   | 3"                | 12-7/8" | 5-3/4"   | 3/8" | 410                  |
| 7000400PL   | 4"                | 14-1/2" | 6-3/4"   | 1/2" | 600                  |
| 7000500PL   | 5"                | 15-3/4" | 7-13/16" | 1/2" | 600                  |
| 7000600PL   | 6"                | 18-1/4" | 9"       | 1/2" | 850                  |
| 7000800PL   | 8"                | 20-5/8" | 11"      | 1/2" | 850                  |



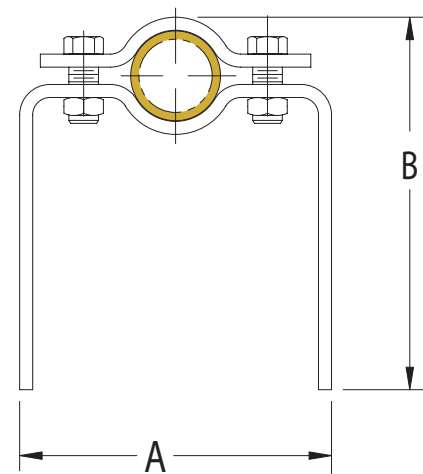
## STANDARD PIPE CLAMP 705

### Extended Pipe Clamp

- Size Range: 1/2" through 8"
- Surface Finish: Black
- Industrial pipe hanger for field fabrication during installation of pipe, when specific center line distances are unknown
- Legs may also be welded to the structure



| Part Number | Nominal Pipe Size | A         | B          |
|-------------|-------------------|-----------|------------|
| 7050050PL   | 1/2 "             | 4-3/16 "  | 12-9/16 "  |
| 7050075PL   | 3/4 "             | 4-15/16 " | 12-11/16 " |
| 7050100PL   | 1 "               | 5-3/16 "  | 12-7/8 "   |
| 7050125PL   | 1-1/4 "           | 5-1/2 "   | 13 "       |
| 7050150PL   | 1-1/2 "           | 5-3/4 "   | 13-1/8 "   |
| 7050200PL   | 2 "               | 6-1/2 "   | 13-7/16 "  |
| 7050250PL   | 2-1/2 "           | 7-3/4 "   | 13-11/16 " |
| 7050300PL   | 3 "               | 8-3/8 "   | 14 "       |
| 7050350PL   | 3-1/2 "           | 8-7/8 "   | 14-1/4 "   |
| 7050400PL   | 4 "               | 9-3/4 "   | 14-1/2 "   |
| 7050500PL   | 5 "               | 11 "      | 15 "       |
| 7050600PL   | 6 "               | 13-1/4 "  | 15-11/16 " |
| 7050800PL   | 8 "               | 15-3/8 "  | 16-1/16 "  |

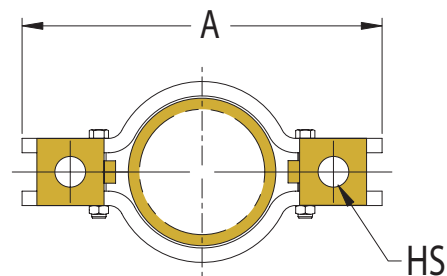


## SOCKET CLAMP 517

- Size Range: 3" through 24"
- Surface Finish: Black
- Industrial pipe hanger used to prevent separation of caulked or rubber joints on AWWA cast iron water main pipes
- One clamp is used on each side of the joint being restrained
- Must use threaded rod with hex nuts to connect the two clamps utilizing model #516 Socket Clamp Washers



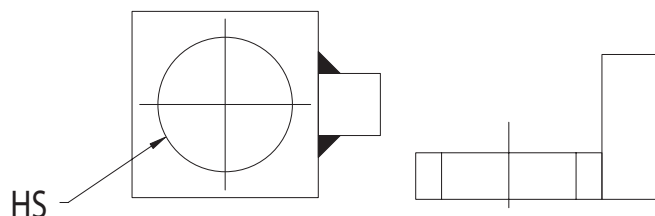
| Part Number | Nominal Pipe Size | A       | HS     |
|-------------|-------------------|---------|--------|
| 5170300PL   | 3"                | 10-7/8" | 3/4"   |
| 5170400PL   | 4"                | 12-1/8" | 3/4"   |
| 5170600PL   | 6"                | 14-3/8" | 3/4"   |
| 5170800PL   | 8"                | 16-5/8" | 3/4"   |
| 5171000PL   | 10"               | 18-7/8" | 3/4"   |
| 5171200PL   | 12"               | 21-1/4" | 3/4"   |
| 5171400PL   | 14"               | 25-1/2" | 1-1/4" |
| 5171600PL   | 16"               | 28"     | 1-1/4" |
| 5171800PL   | 18"               | 31-1/2" | 1-1/4" |
| 5172000PL   | 20"               | 33-3/4" | 1-3/8" |
| 5172400PL   | 24"               | 39-3/4" | 1-1/2" |



## SOCKET CLAMP WASHER 516

- Surface Finish: Black
- Used with model #517 Socket Clamp

| Part Number | HS     |
|-------------|--------|
| 5160075PL   | 7/8"   |
| 5160125PL   | 1-3/8" |
| 5160137PL   | 1-1/2" |
| 5160150PL   | 1-5/8" |





Page 45

**007**



Page 45

**STR**



Page 46

**008**



Page 47

**STR2**



Page 47

**470**



Page 48

**008CP**



Page 48

**008CU**



Page 49

**U-Hanger**



Page 49

**DWV**



Page 50

**WH**



Page 51

**TPC**



Page 51

**CADDY® SUPERKLIP**



Page 52

**SMS8**



Page 52

**SGB**



Page 52

**TSGB**



Page 53

**150M**

|  |  |  |   |
|--|--|--|---|
|   |   |    |  |
| Page 54  | Page 54  | Page 55  | Page 56   |
| <b>M-Series</b>  | <b>MCP-Series</b>  | <b>M-Series</b>  | <b>MCP-Series</b>   |
|   |   |    |  |
| Page 57  | Page 58  | Page 59  | Page 59   |
| <b>CD-Series</b>   | <b>CDCP-Series</b>   | <b>801</b>   | <b>800</b>  |
|  |  |  |   |
| Page 60  | Page 60  |  |   |
| <b>802</b>   | <b>EPS</b>   |  |   |

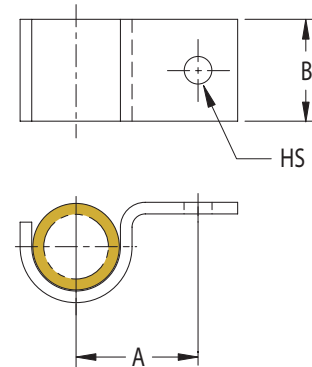


## PIPE FIXINGS 007

### One-hole Strap

- Size Range: 1/2" through 2"
- Surface Finish: Electro-zinc plated
- Recommended for supporting horizontal runs of piping from the face of a structural member
- Fastening hole in strap may be above or below pipe

| Part Number | Nominal Pipe Size | A        | B    | HS   |
|-------------|-------------------|----------|------|------|
| 0070050EG   | 1/2"              | 1-1/8"   | 5/8" | 1/4" |
| 0070075EG   | 3/4"              | 1-1/4"   | 5/8" | 1/4" |
| 0070100EG   | 1"                | 1-3/8"   | 5/8" | 1/4" |
| 0070125EG   | 1-1/4"            | 1-9/16"  | 7/8" | 1/4" |
| 0070150EG   | 1-1/2"            | 1-11/16" | 7/8" | 1/4" |
| 0070200EG   | 2"                | 1-15/16" | 7/8" | 1/4" |

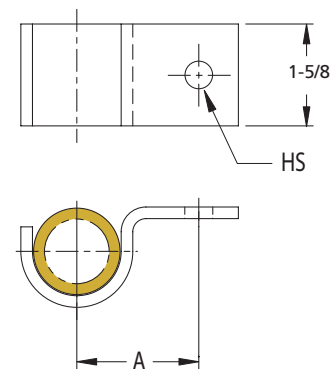


## PIPE FIXINGS STR

### One-hole Strap for Strut

- Size Range: 1/4" through 1"
- Surface Finish: Electro-zinc plated
- Recommended for supporting horizontal runs of piping from CADDY® ERISTRUT channel

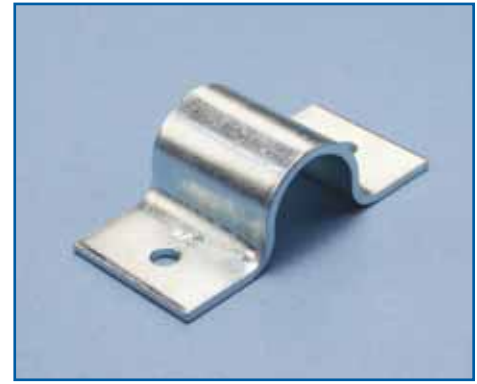
| Part Number | Nominal Pipe Size | A      | HS    |
|-------------|-------------------|--------|-------|
| STR0025EG   | 1/4"              | 11/16" | 9/32" |
| STR0037EG   | 3/8"              | 3/4"   | 9/32" |
| STR0050EG   | 1/2"              | 13/16" | 9/32" |
| STR0062EG   | 5/8"              | 7/8"   | 9/32" |
| STR0075EG   | 3/4"              | 15/16" | 9/32" |
| STR0087EG   | 7/8"              | 1"     | 9/32" |
| STR0100EG   | 1"                | 1-1/8" | 9/32" |



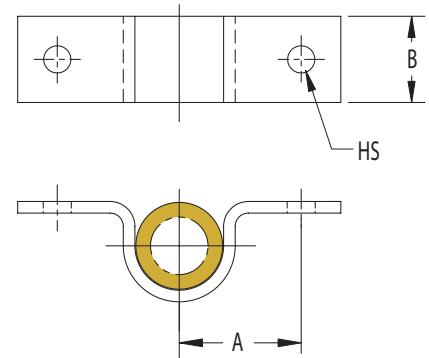
## PIPE FIXINGS 008

### Two-hole Strap

- Size Range: 1/4" through 4"
- Surface Finish: Electro-zinc plated
- Light duty support of pipe
- Attaches directly to the face of a horizontal or vertical structural member
- Conforms with Federal Specification WW-H-171 (Type 26), Manufacturers Standardization Society (MSS) SP-58 and SP-69 (Type 26)



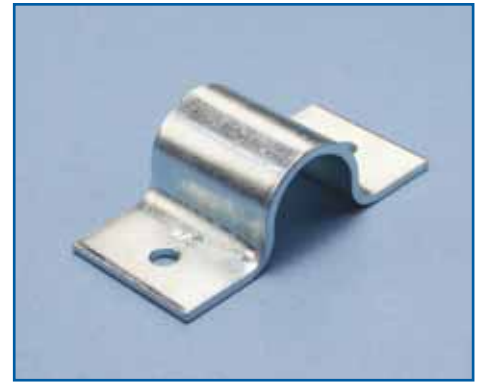
| Part Number | Nominal Pipe Size | A       | B      | HS   |
|-------------|-------------------|---------|--------|------|
| 0080025EG   | 1/4"              | 15/16"  | 5/8"   | 1/4" |
| 0080037EG   | 3/8"              | 1"      | 5/8"   | 1/4" |
| 0080050EG   | 1/2"              | 1-1/8"  | 5/8"   | 1/4" |
| 0080075EG   | 3/4"              | 1-1/4"  | 3/4"   | 1/4" |
| 0080100EG   | 1"                | 1-3/8"  | 3/4"   | 1/4" |
| 0080125EG   | 1-1/4"            | 1-1/2"  | 7/8"   | 1/4" |
| 0080150EG   | 1-1/2"            | 1-5/8"  | 1-1/4" | 1/4" |
| 0080200EG   | 2"                | 1-7/8"  | 1-1/4" | 1/4" |
| 0080250EG   | 2-1/2"            | 2-1/8"  | 1-1/4" | 1/4" |
| 0080300EG   | 3"                | 3-3/16" | 1-1/4" | 1/4" |
| 0080400EG   | 4"                | 3-1/2"  | 1-1/4" | 1/4" |



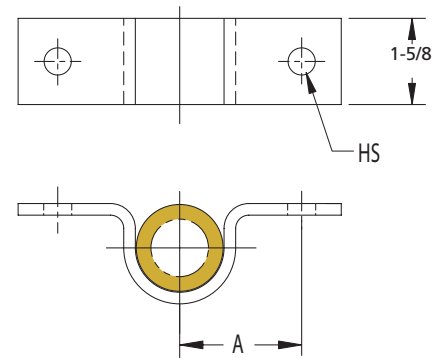
## PIPE FIXINGS STR2

### Two-hole Strap for Strut

- Size Range: 1/2" through 6"
- Surface Finish: Electro-zinc plated
- Recommended for supporting horizontal runs of piping from CADDY® ERISTRUT channel
- Conforms with Federal Specification WW-H-171 (Type 26), Manufacturers Standardization Society (MSS) SP-58 and SP-69 (Type 26)



| Part Number | Nominal Pipe Size | A        | HS    |
|-------------|-------------------|----------|-------|
| STR20050EG  | 1/2"              | 1-1/16"  | 9/32" |
| STR20075EG  | 3/4"              | 1-3/16"  | 9/32" |
| STR20100EG  | 1"                | 1-3/8"   | 9/32" |
| STR20125EG  | 1-1/4"            | 1-7/16"  | 9/32" |
| STR20150EG  | 1-1/2"            | 1-1/2"   | 9/32" |
| STR20200EG  | 2"                | 2-11/16" | 7/16" |
| STR20250EG  | 2-1/2"            | 2-7/8"   | 7/16" |
| STR20300EG  | 3"                | 3-5/16"  | 7/16" |
| STR20350EG  | 3-1/2"            | 3-11/16" | 7/16" |
| STR20400EG  | 4"                | 3-13/16" | 7/16" |
| STR20500EG  | 5"                | 4-7/16"  | 7/16" |
| STR20600EG  | 6"                | 5-1/16"  | 7/16" |



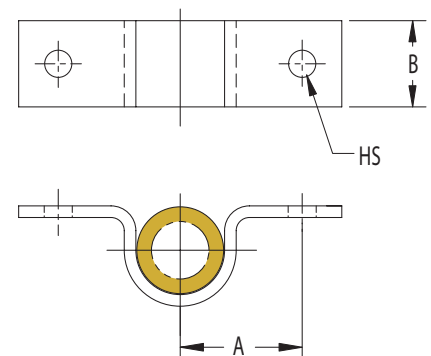
## PIPE FIXINGS 470

### Short Clip

- Size Range: 1/2" through 4"
- Surface Finish: Black
- Recommended for supporting pipe runs close to a ceiling or wall
- Conforms with Federal Specification WW-H-171 (Type 26), Manufacturers Standardization Society (MSS) SP-58 and SP-69 (Type 26)



| Part Number | Nominal Pipe Size | A        | B      | HS    | Max. Rec. Load (lbs) |
|-------------|-------------------|----------|--------|-------|----------------------|
| 4700050PL   | 1/2"              | 1-7/16"  | 1-1/4" | 7/16" | 300                  |
| 4700075PL   | 3/4"              | 1-9/16"  | 1-1/4" | 7/16" | 300                  |
| 4700100PL   | 1"                | 1-11/16" | 1-1/4" | 7/16" | 300                  |
| 4700125PL   | 1-1/4"            | 1-7/8"   | 1-1/4" | 7/16" | 300                  |
| 4700150PL   | 1-1/2"            | 2"       | 1-1/4" | 7/16" | 300                  |
| 4700200PL   | 2"                | 2-1/4"   | 1-1/4" | 7/16" | 300                  |
| 4700250PL   | 2-1/2"            | 2-1/2"   | 1-1/4" | 7/16" | 500                  |
| 4700300PL   | 3"                | 2-13/16" | 1-1/4" | 7/16" | 500                  |
| 4700400PL   | 4"                | 3-9/16"  | 1-1/2" | 9/16" | 500                  |



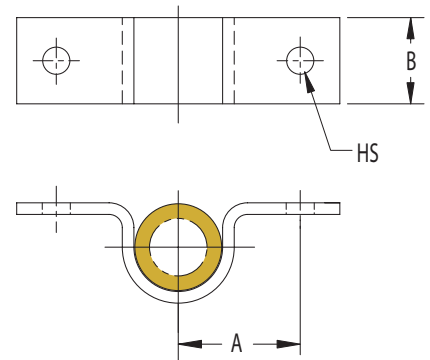
## PIPE FIXINGS 008CP

### Two-hole Strap for Copper Tubing

- Size Range: 1/4" through 2"
- Surface Finish: Copper colored coating (for identification purposes only)
- Light duty support of copper tubing
- Attaches directly to the face of a horizontal or vertical structural member
- Conforms with Federal Specification WW-H-171 (Type 26), Manufacturers Standardization Society (MSS) SP-58 and SP-69 (Type 26)



| Part Number | Nominal Pipe Size | A      | B      | HS   |
|-------------|-------------------|--------|--------|------|
| 0080025CP   | 1/4"              | 15/16" | 5/8"   | 1/4" |
| 0080037CP   | 3/8"              | 1"     | 5/8"   | 1/4" |
| 0080050CP   | 1/2"              | 1-1/8" | 5/8"   | 1/4" |
| 0080075CP   | 3/4"              | 1-1/4" | 3/4"   | 1/4" |
| 0080100CP   | 1"                | 1-3/8" | 3/4"   | 1/4" |
| 0080125CP   | 1-1/4"            | 1-1/2" | 7/8"   | 1/4" |
| 0080150CP   | 1-1/2"            | 1-5/8" | 1-1/4" | 1/4" |
| 0080200CP   | 2"                | 1-7/8" | 1-1/4" | 1/4" |



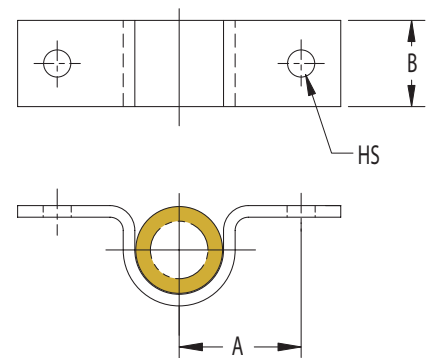
## PIPE FIXINGS 008CU

### Two-hole Copper Strap for Copper Tubing – Solid Copper

- Size Range: 1/4" through 2"
- Surface Finish: Plain
- Light duty solid copper strap support for copper tubing
- Attaches directly to the face of a horizontal or vertical structural member
- Conforms with Federal Specification WW-H-171 (Type 26), Manufacturers Standardization Society (MSS) SP-58 and SP-69 (Type 26)



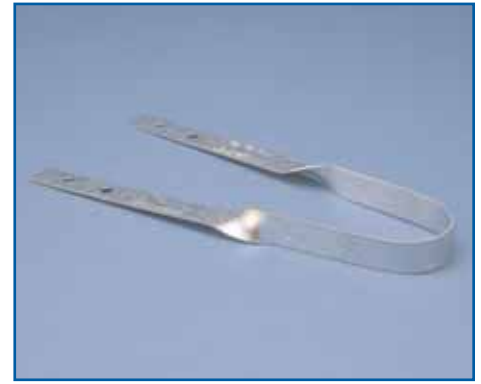
| Part Number | Nominal Pipe Size | A      | B      | HS   |
|-------------|-------------------|--------|--------|------|
| 008CU0025PL | 1/4"              | 7/8"   | 5/8"   | 1/4" |
| 008CU0037PL | 3/8"              | 15/16" | 5/8"   | 1/4" |
| 008CU0050PL | 1/2"              | 1"     | 5/8"   | 1/4" |
| 008CU0075PL | 3/4"              | 1-1/8" | 3/4"   | 1/4" |
| 008CU0100PL | 1"                | 1-1/4" | 3/4"   | 1/4" |
| 008CU0125PL | 1-1/4"            | 1-3/8" | 7/8"   | 1/4" |
| 008CU0150PL | 1-1/2"            | 1-1/2" | 1-1/4" | 1/4" |
| 008CU0200PL | 2"                | 1-3/4" | 1-1/4" | 1/4" |



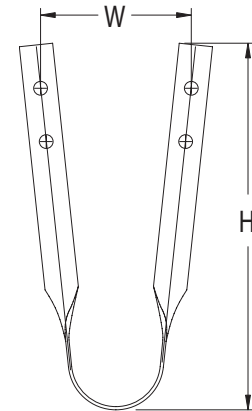
## PIPE FIXINGS YOOK

### Yook U-type Hanger

- Size Range: 1" through 4"
- Surface Finish: Electro-zinc plated
- Use in place of U-hook
- Use with Model #43, size #16 x 2" L Wood Drive Screws
- For 2-1/2" thru 4" pipe sizes, use two drive screws per leg



| Part Number | Nominal Pipe Size | W        | H        | Max. Rec. Load (lbs) |
|-------------|-------------------|----------|----------|----------------------|
| 1351204EG   | 1" & 1-1/4"       | 2-13/16" | 4-13/16" | 250                  |
| 1351206EG   | 1" & 1-1/4"       | 2-13/16" | 6-7/8"   | 250                  |
| 1351208EG   | 1" & 1-1/4"       | 2-13/16" | 8-7/8"   | 250                  |
| 1351210EG   | 1" & 1-1/4"       | 2-13/16" | 10-7/8"  | 250                  |
| 1351212EG   | 1" & 1-1/4"       | 2-13/16" | 12-7/8"  | 250                  |
| 1352004EG   | 1-1/2" & 2"       | 3-1/2"   | 4-13/16" | 250                  |
| 1352006EG   | 1-1/2" & 2"       | 3-1/2"   | 6-7/8"   | 250                  |
| 1352008EG   | 1-1/2" & 2"       | 3-1/2"   | 8-7/8"   | 250                  |
| 1352010EG   | 1-1/2" & 2"       | 3-1/2"   | 10-7/8"  | 250                  |
| 1352012EG   | 1-1/2" & 2"       | 3-1/2"   | 12-7/8"  | 250                  |
| 1353008EG   | 2-1/2" & 3"       | 4-13/16" | 8-7/8"   | 320                  |
| 1353010EG   | 2-1/2" & 3"       | 4-13/16" | 10-7/8"  | 320                  |
| 1353012EG   | 2-1/2" & 3"       | 4-13/16" | 12-7/8"  | 320                  |
| 1354008EG   | 3-1/2" & 4"       | 5-15/16" | 8-7/8"   | 560                  |
| 1354010EG   | 3-1/2" & 4"       | 5-15/16" | 10-7/8"  | 560                  |
| 1354012EG   | 3-1/2" & 4"       | 5-15/16" | 12-7/8"  | 560                  |



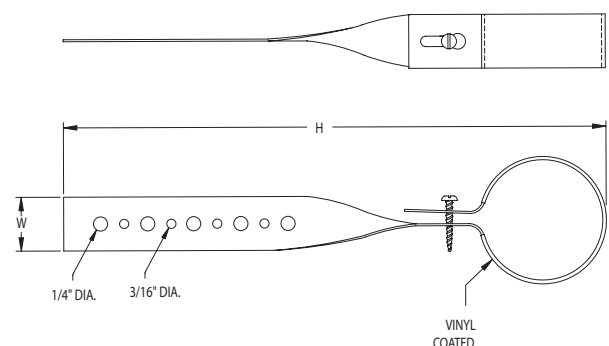
## PIPE FIXINGS DWV

### DWV Insulated Hanger

- Size Range: 1-1/2" through 4"
- Surface Finish: Electro-zinc plated with Vinyl Coat
- Use in place of U-hook
- When hanging steel or cast iron pipe, install with 1-1/2", #10 wood screws
- For 2-1/2" thru 4" pipe sizes, use two drive screws per leg



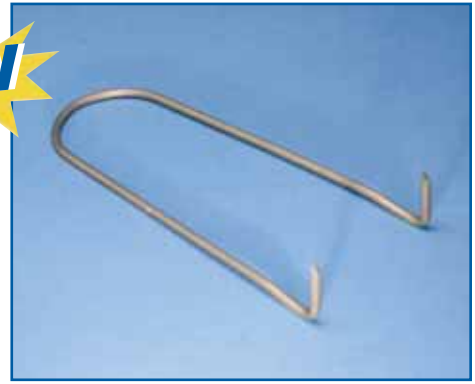
| Part Number | Nominal Pipe Size | W  | H       |
|-------------|-------------------|----|---------|
| 1390150EG   | 1-1/2"            | 1" | 14-3/4" |
| 1390200EG   | 2"                | 1" | 15-1/4" |
| 1390250EG   | 2-1/2"            | 1" | 15-1/2" |
| 1390300EG   | 3"                | 1" | 16-3/4" |
| 1390400EG   | 4"                | 1" | 17-1/2" |



## PIPE FIXINGS WH

### Wire Pipe Hook PL

- Size Range: 1/2" through 2"
- Surface Finish: Black, Copper-plated, Vinyl-coated



| Part Number          | Nominal Pipe Size | GA | L      |
|----------------------|-------------------|----|--------|
| Plain Finish         |                   |    |        |
| WH04050PL            | 1/2"              | 10 | 4"     |
| WH06050PL            | 1/2"              | 10 | 6"     |
| WH04075PL            | 3/4"              | 10 | 4"     |
| WH06075PL            | 3/4"              | 10 | 6"     |
| WH08075PL            | 3/4"              | 10 | 8"     |
| WH06100PL            | 1"                | 10 | 6"     |
| WH06125PL            | 1-1/4"            | 10 | 6"     |
| WH06150PL            | 1-1/2"            | 10 | 6"     |
| WH08200PL            | 2"                | 10 | 8"     |
| WH10200PL            | 2"                | 10 | 10"    |
| Copper-plated Finish |                   |    |        |
| WH02050CP            | 1/2"              | 10 | 2-1/2" |
| WH04050CP            | 1/2"              | 10 | 4"     |
| WH06050CP            | 1/2"              | 10 | 6"     |
| WH02075CP            | 3/4"              | 10 | 2-1/2" |
| WH04075CP            | 3/4"              | 10 | 4"     |
| WH06075CP            | 3/4"              | 10 | 6"     |
| WH08075CP            | 3/4"              | 10 | 8"     |
| WH06100CP            | 1"                | 10 | 6"     |
| Vinyl-coated Finish  |                   |    |        |
| WH04050VC            | 1/2"              | 10 | 4"     |
| WH06050VC            | 1/2"              | 10 | 6"     |
| WH04075VC            | 3/4"              | 10 | 4"     |
| WH06075VC            | 3/4"              | 10 | 6"     |
| WH08075VC            | 3/4"              | 10 | 8"     |
| WH06100VC            | 1"                | 10 | 6"     |
| WH06125VC            | 1-1/4"            | 10 | 6"     |
| WH06150VC            | 1-1/2"            | 10 | 6"     |
| WH08200VC            | 2"                | 10 | 8"     |



## PIPE FIXINGS TPC

### Tube and Pipe Clamp

- Size Range: 3/8" through 2-3/8"
- Positions pipe or tube in stud wall applications
- May be used with the CADDY TSGB for an adjustable pipe bracket and clamping system



| Part Number | Description  |
|-------------|--|
| TPC112      | Tube and pipe clamp 3/8" thru 1-1/8"                               |
| TPC238      | Tube and pipe clamp 5/8" thru 2-3/8"                               |
| TSGB16112   | Kit -- includes TPC112 and 16" TSGB (adjustable screw gun bracket) |
| TSGB24112   | Kit -- includes TPC112 and 24" TSGB (adjustable screw gun bracket) |



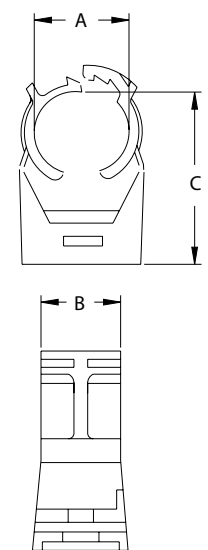
## PIPE FIXINGS CADDY® SUPERKLIP

### Tube and Pipe Clamp

- Size Range: 3/8" through 2"
- Pushing the tube into the clamp closes and locks the pipe clamp
- Fasten with either wood screw, dual threaded screw with or without collar, nail with collar or 1/4" threaded rod
- Age resistant, UV resistant, suitable for outdoor applications
- Color: White



| Part Number | Nominal Pipe Size |        | A                  | B      | C        | Max. Rec. Load (lbs) |
|-------------|-------------------|--------|--------------------|--------|----------|----------------------|
|             | IP                | CT     |                    |        |          |                      |
| 389001      | -                 | 3/8"   | 7/16" – 9/16"      | 9/16"  | 1-3/16"  | 40                   |
| 389002      | -                 | 1/2"   | 9/16" – 11/16"     | 9/16"  | 1-3/16"  | 45                   |
| 389003      | 3/8"              | 5/8"   | 11/16" – 3/4"      | 5/8"   | 1-13/32" | 50                   |
| 389004      | 1/2"              | -      | 3/4" – 7/8"        | 5/8"   | 1-9/16"  | 50                   |
| 389005      | -                 | 3/4"   | 7/8" – 31/32"      | 21/32" | 1-5/8"   | 55                   |
| 389006      | 3/4"              | -      | 31/32" – 1-3/32"   | 11/16" | 1-3/4"   | 60                   |
| 389007      | -                 | 1"     | 1-3/32" – 1-7/32"  | 11/16" | 1-15/16" | 65                   |
| 389008      | 1"                | 1-1/4" | 1-7/32" – 1-13/32" | 11/16" | 2-1/8"   | 75                   |
| 389011      | 1-1/4"            | 1-1/2" | 1-9/16" – 1-23/32" | 3/4"   | 2-1/2"   | 85                   |
| 389012      | 1-1/2"            | -      | 1-27/32" – 2"      | 3/4"   | 2-7/8"   | 100                  |
| 389013      | -                 | 2"     | 2" – 2-3/16"       | 25/32" | 3-3/32"  | 105                  |
| 389014      | 2"                | -      | 2-5/16" – 2-1/2"   | 13/16" | 3-15/32" | 120                  |



## PIPE FIXINGS SMS8

### Self-tapping Screw

- Suitable for screw gun use
- #8 x 1/2" long



| Part Number | Description                  |
|-------------|------------------------------|
| SMS8        | #8 x 1/2" Self-tapping screw |



## PIPE FIXINGS SGB

### Preset Screw Gun Bracket for Between Studs

- Preset for studs 16" or 24" on center
- Can mount multiple pipe or tubes
- Notched and marked for easy bending and installation
- Requires only a screw gun to install
- Can be mounted to face or inside of stud
- Can be preassembled by the contractor to allow for greater productivity at the job site



| Part Number | Stud Spacing |
|-------------|--------------|
| SGB16A      | 16" OC       |
| SGB24A      | 24" OC       |

## PIPE FIXINGS TSGB

### Adjustable Screw Gun Bracket for Between Studs

- Can mount multiple pipe or tubes
- Notched and marked for easy bending and installation
- Requires only a screw gun to install
- Can be mounted to face or inside of stud
- Adjustable for non-standard stud spacing
- Unique, one-piece break apart design
- Interlocking tab prevents accidental disassembly



| Part Number | Stud Spacing |
|-------------|--------------|
| TSGB16      | 16" OC       |
| TSGB24      | 24" OC       |



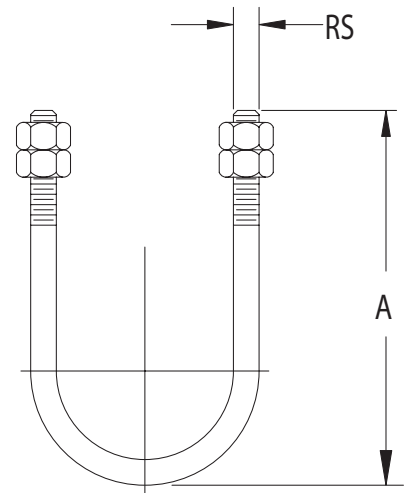
## PIPE FIXINGS 150M

### Standard U-bolt

- Size Range: 1/2" through 18"
- Surface Finish: Black, Electro-zinc plated
- Pipe support for general piping applications
- Comes with two nuts installed on each end of U-bolt



| Part Number                       | Nominal Pipe Size | A          | RS    | Max. Rec. Load (lbs) |
|-----------------------------------|-------------------|------------|-------|----------------------|
| <b>Plain Finish</b>               |                   |            |       |                      |
| 150M0050PL                        | 1/2 "             | 3-1/2 "    | 1/4 " | 435                  |
| 150M0075PL                        | 3/4 "             | 3-9/16 "   | 1/4 " | 435                  |
| 150M0100PL                        | 1 "               | 3-11/16 "  | 1/4 " | 435                  |
| 150M0125PL                        | 1-1/4 "           | 4-1/8 "    | 3/8 " | 1090                 |
| 150M0150PL                        | 1-1/2 "           | 4-5/16 "   | 3/8 " | 1090                 |
| 150M0200PL                        | 2 "               | 4-13/16 "  | 3/8 " | 1090                 |
| 150M0250PL                        | 2-1/2 "           | 5-3/4 "    | 1/2 " | 2020                 |
| 150M0300PL                        | 3 "               | 6-5/16 "   | 1/2 " | 2020                 |
| 150M0400PL                        | 4 "               | 7-5/16 "   | 1/2 " | 2020                 |
| 150M0500PL                        | 5 "               | 8-5/16 "   | 1/2 " | 2020                 |
| 150M0600PL                        | 6 "               | 10-1/8 "   | 5/8 " | 3230                 |
| 150M0800PL                        | 8 "               | 12-1/8 "   | 5/8 " | 3230                 |
| 150M1000PL                        | 10 "              | 14-9/16 "  | 3/4 " | 4830                 |
| 150M1200PL                        | 12 "              | 16-15/16 " | 7/8 " | 6730                 |
| 150M1400PL                        | 14 "              | 18-3/16 "  | 7/8 " | 6730                 |
| 150M1600PL                        | 16 "              | 20-5/16 "  | 7/8 " | 6730                 |
| 150M1800PL                        | 18 "              | 22-11/16 " | 1 "   | 8850                 |
| <b>Electro-zinc Plated Finish</b> |                   |            |       |                      |
| 150M0050EG                        | 1/2 "             | 3-1/2 "    | 1/4 " | 435                  |
| 150M0075EG                        | 3/4 "             | 3-9/16 "   | 1/4 " | 435                  |
| 150M0100EG                        | 1 "               | 3-11/16 "  | 1/4 " | 435                  |
| 150M0125EG                        | 1-1/4 "           | 4-1/8 "    | 3/8 " | 1090                 |
| 150M0150EG                        | 1-1/2 "           | 4-5/16 "   | 3/8 " | 1090                 |
| 150M0200EG                        | 2 "               | 4-13/16 "  | 3/8 " | 1090                 |
| 150M0250EG                        | 2-1/2 "           | 5-3/4 "    | 1/2 " | 2020                 |
| 150M0300EG                        | 3 "               | 6-5/16 "   | 1/2 " | 2020                 |
| 150M0400EG                        | 4 "               | 7-5/16 "   | 1/2 " | 2020                 |
| 150M0500EG                        | 5 "               | 8-5/16 "   | 1/2 " | 2020                 |
| 150M0600EG                        | 6 "               | 10-1/8 "   | 5/8 " | 3230                 |
| 150M0800EG                        | 8 "               | 12-1/8 "   | 5/8 " | 3230                 |
| 150M1000EG                        | 10 "              | 14-9/16 "  | 3/4 " | 4830                 |
| 150M1200EG                        | 12 "              | 16-15/16 " | 7/8 " | 6730                 |
| 150M1400EG                        | 14 "              | 18-3/16 "  | 7/8 " | 6730                 |
| 150M1600EG                        | 16 "              | 20-5/16 "  | 7/8 " | 6730                 |
| 150M1800EG                        | 18 "              | 22-11/16 " | 1 "   | 8850                 |



## STRUCTURAL ATTACHMENT M-SERIES

### Finger Close Pipe Clamp

- Size Range: 1/2" through 2"
- Surface Finish: CADDY® COAT
- May be used for either vertical or horizontal installations
- Mounting hole for 1/4" bolt or rod



| Part Number | Nominal Pipe Size | Max. Rec. Load (lbs) |
|-------------|-------------------|----------------------|
| 812M        | 1/2" - 3/4"       | 100                  |
| 16M         | 1"                | 100                  |
| 20M         | 1-1/4"            | 100                  |
| 24M         | 1-1/2"            | 100                  |
| 32M         | 2"                | 100                  |

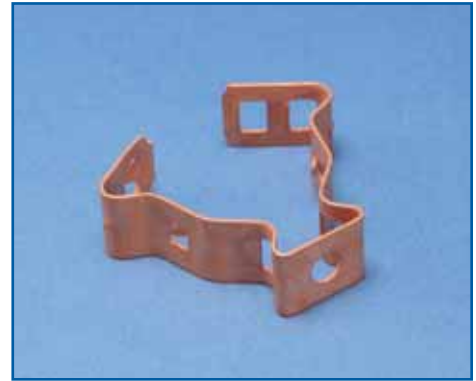


## STRUCTURAL ATTACHMENT MCP-SERIES

### Finger Close Pipe Copper-tubing Clamp

- Size Range: 1/2" through 2"
- Surface Finish: Copper-colored coating (for identification purposes only)
- May be used for either vertical or horizontal installations
- Mounting hole for 1/4" bolt or rod

| Part Number | Nominal Pipe Size | Max. Rec. Load (lbs) |
|-------------|-------------------|----------------------|
| 812MCP      | 1/2" - 3/4"       | 100                  |
| 16MCP       | 1"                | 100                  |
| 20MCP       | 1-1/4"            | 100                  |
| 24MCP       | 1-1/2"            | 100                  |
| 32MCP       | 2"                | 100                  |



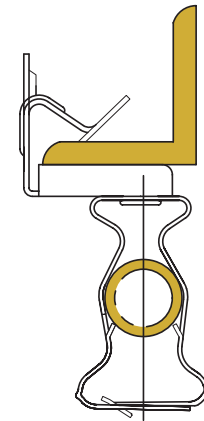
## STRUCTURAL ATTACHMENT M-SERIES

### Hammer-on, Finger Close Pipe Clamp

- Size Range: 1/2" through 2"
- Surface Finish: CADDY® COAT
- Used to support pipe from beam flanges 1/8" to 3/4" thick
- Pipe/tube clip pivots a full 360°



| Part Number | Flange Thickness | Nominal Pipe Size | Max. Rec. Load (lbs) |
|-------------|------------------|-------------------|----------------------|
| 812M24      | 1/8" - 1/4"      | 1/2" - 3/4"       | 75                   |
| 812M58      | 5/16" - 1/2"     | 1/2"              | 75                   |
| 812M912     | 9/16" - 3/4"     | 1/2"              | 75                   |
| 16M24       | 1/8" - 1/4"      | 1"                | 75                   |
| 16M58       | 5/16" - 1/2"     | 1"                | 75                   |
| 16M912      | 9/16" - 3/4"     | 1"                | 75                   |
| 20M24       | 1/8" - 1/4"      | 1-1/4"            | 75                   |
| 20M58       | 5/16" - 1/2"     | 1-1/4"            | 75                   |
| 20M912      | 9/16" - 3/4"     | 1-1/4"            | 75                   |
| 24M24       | 1/8" - 1/4"      | 1-1/2"            | 75                   |
| 24M58       | 5/16" - 1/2"     | 1-1/2"            | 75                   |
| 24M912      | 9/16" - 3/4"     | 1-1/2"            | 75                   |
| 32M24       | 1/8" - 1/4"      | 2"                | 75                   |
| 32M58       | 5/16" - 1/2"     | 2"                | 75                   |
| 32M912      | 9/16" - 3/4"     | 2"                | 75                   |



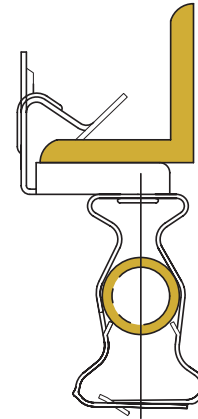
## STRUCTURAL ATTACHMENT MCP-SERIES

### Hammer-on, Finger Close Copper Tubing Clamp

- Size Range: 1/2" through 2"
- Surface Finish: Copper colored coating (for identification purposes only)
- Used to support copper tubing from beam flanges 1/8" to 3/4" thick
- Pipe/tube clip pivots a full 360°



| Part Number | Flange Thickness | Nominal Pipe Size | Max. Rec. Load (lbs) |
|-------------|------------------|-------------------|----------------------|
| 6MCP24      | 1/8" - 1/4"      | 1/2"              | 75                   |
| 6MCP58      | 5/16" - 1/2"     | 1/2"              | 75                   |
| 6MCP912     | 9/16" - 3/4"     | 1/2"              | 75                   |
| 812MCP24    | 1/8" - 1/4"      | 1/2" - 3/4"       | 75                   |
| 812MCP58    | 5/16" - 1/2"     | 1/2"              | 75                   |
| 812MCP912   | 9/16" - 3/4"     | 1/2"              | 75                   |
| 16MCP24     | 1/8" - 1/4"      | 1"                | 75                   |
| 16MCP58     | 5/16" - 1/2"     | 1"                | 75                   |
| 16MCP912    | 9/16" - 3/4"     | 1"                | 75                   |
| 20MCP24     | 1/8" - 1/4"      | 1-1/4"            | 75                   |
| 20MCP58     | 5/16" - 1/2"     | 1-1/4"            | 75                   |
| 20MCP912    | 9/16" - 3/4"     | 1-1/4"            | 75                   |
| 24MCP24     | 1/8" - 1/4"      | 1-1/2"            | 75                   |
| 24MCP58     | 5/16" - 1/2"     | 1-1/2"            | 75                   |
| 24MCP912    | 9/16" - 3/4"     | 1-1/2"            | 75                   |
| 32MCP24     | 1/8" - 1/4"      | 2"                | 75                   |
| 32MCP58     | 5/16" - 1/2"     | 2"                | 75                   |
| 32MCP912    | 9/16" - 3/4"     | 2"                | 75                   |



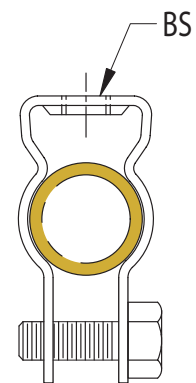
## STRUCTURAL ATTACHMENT CD-SERIES

### One-piece Pipe Clip

- Size Range: 1/2" through 2"
- Surface Finish: Electro-zinc plated
- May be used for either vertical or horizontal installations



| Part Number | Flange Thickness | Bolt Size | Max. Rec. Load (lbs) |
|-------------|------------------|-----------|----------------------|
| CD0B        | 1/2 "            | 1/4 "     | 250                  |
| CD1B        | 3/4 "            | 1/4 "     | 250                  |
| CD2B        | 1 "              | 1/4 "     | 250                  |
| CD3B        | 1-1/4 "          | 1/4 "     | 250                  |
| CD4B        | 1-1/2 "          | 5/16 "    | 350                  |
| CD5B        | 2 "              | 5/16 "    | 350                  |
| CD6B        | 2-1/2 "          | 5/16 "    | 350                  |
| CD7B        | 3 "              | 5/16 "    | 350                  |
| CD8B        | 3-1/2 "          | 5/16 "    | 350                  |
| CD9B        | 4 "              | 5/16 "    | 350                  |
| CD0B37      | 1/2 "            | 3/8 "     | 250                  |
| CD1B37      | 3/4 "            | 3/8 "     | 250                  |
| CD2B37      | 1 "              | 3/8 "     | 250                  |
| CD3B37      | 1-1/4 "          | 3/8 "     | 250                  |
| CD4B37      | 1-1/2 "          | 3/8 "     | 350                  |
| CD5B37      | 2 "              | 3/8 "     | 350                  |



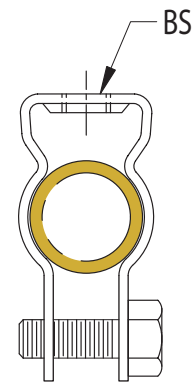
## STRUCTURAL ATTACHMENT CDCP-SERIES

### One-piece Pipe Clip for Copper Tubing

- Size Range: 1/2" through 2"
- Surface Finish: Copper colored coating (for identification purposes only)
- May be used for either vertical or horizontal installations



| Part Number | Flange Thickness | Bolt Size | Max. Rec. Load (lbs) |
|-------------|------------------|-----------|----------------------|
| CD0BCP      | 1/2"             | 1/4"      | 250                  |
| CD1BCP      | 3/4"             | 1/4"      | 250                  |
| CD2BCP      | 1"               | 1/4"      | 250                  |
| CD2.5BCP    | 1-1/4"           | 1/4"      | 250                  |
| CD3BCP      | 1-1/2"           | 1/4"      | 350                  |
| CD5BCP      | 2"               | 5/16"     | 350                  |
| CD0B37CP    | 1/2"             | 3/8"      | 250                  |
| CD1B37CP    | 3/4"             | 3/8"      | 250                  |
| CD2B37CP    | 1"               | 3/8"      | 250                  |
| CD2.53B37CP | 1-1/4"           | 3/8"      | 250                  |
| CD3B37CP    | 1-1/2"           | 3/8"      | 350                  |
| CD5B37CP    | 2"               | 3/8"      | 350                  |

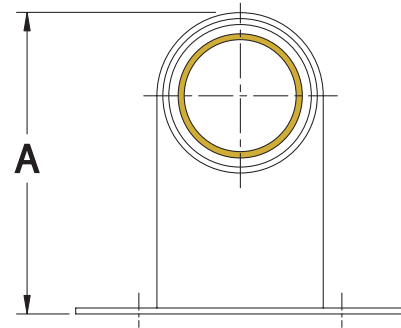


## PIPE FIXINGS 801

### Standard Pipe Stay

- Size Range: 1/2" through 2" (Copper)  
3/8" through 2" (Iron)
- Surface Finish: Black epoxy coat
- Used for water, heat or gas lines
- Sized for copper or iron pipe sizes

| Part Number | Nominal Iron Pipe Size | Nominal Copper Pipe Size | A       |
|-------------|------------------------|--------------------------|---------|
| 801037050EP | 3/8"                   | 1/2"                     | 2-1/4"  |
| 801050075EP | 1/2"                   | 3/4"                     | 2-1/4"  |
| 801075100EP | 3/4"                   | 1"                       | 2-9/16" |
| 801100125EP | 1"                     | 1-1/4"                   | 2-9/16" |
| 801125150EP | 1-1/4"                 | 1-1/2"                   | 4-1/4"  |
| 801150000EP | 1-1/2"                 | -                        | 4-1/4"  |
| 801000200EP | -                      | 2"                       | 4-3/8"  |
| 801200000EP | 2"                     | -                        | 4-3/8"  |

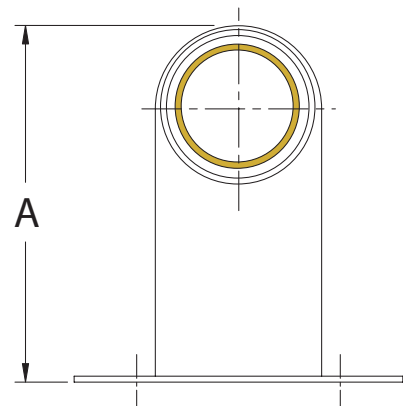


## PIPE FIXINGS 800

### Extended Pipe Stay

- Size Range: 1/2" through 1-1/4" (Copper)  
3/8" through 1" (Iron)
- Surface Finish: Black epoxy coat
- Used for water, heat or gas lines
- Sized for copper or iron pipe sizes

| Part Number | Nominal Iron Pipe Size | Nominal Copper Pipe Size | A        |
|-------------|------------------------|--------------------------|----------|
| 800037050EP | 3/8"                   | 1/2"                     | 3-5/16"  |
| 800050075EP | 1/2"                   | 3/4"                     | 3-5/16"  |
| 800075100EP | 3/4"                   | 1"                       | 3-11/16" |
| 800100125EP | 1"                     | 1-1/4"                   | 3-13/16" |



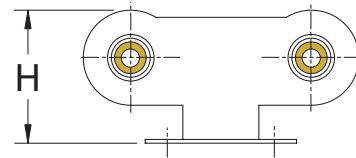
## PIPE FIXINGS 802

### Double Pipe Stay

- Size Range: 1/2" through 1" (Copper)  
3/8" through 3/4" (Iron)
- Surface Finish: Black epoxy coat
- Used for water, heat or gas lines
- Sized for copper or iron pipe sizes



| Part Number | Nominal Iron Pipe Size | Nominal Copper Pipe Size | A       |
|-------------|------------------------|--------------------------|---------|
| 802037050EP | 3/8"                   | 1/2"                     | 2-3/16" |
| 802050075EP | 1/2"                   | 3/4"                     | 2-3/16" |
| 802075100EP | 3/4"                   | 1"                       | 2-9/16" |

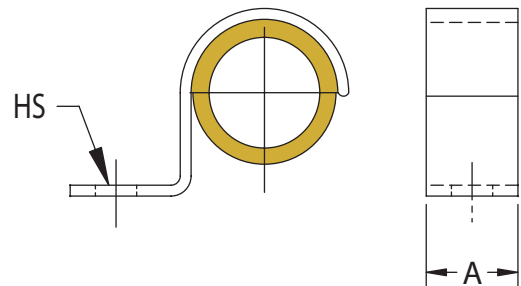


## PIPE FIXINGS EPS

### One-hole Strap for Thin-walled Conduit

- Size Range: 1/2" thru 2" EMT conduit
- Surface Finish: Electro-zinc plated

| Part Number | Nominal Pipe Size | A      | HS     |
|-------------|-------------------|--------|--------|
| EPS0050EG   | 1/2"              | 3/4"   | 9/32"  |
| EPS0075EG   | 3/4"              | 7/8"   | 9/32"  |
| EPS0100EG   | 1"                | 1"     | 9/32"  |
| EPS0125EG   | 1-1/4"            | 1-1/4" | 9/32"  |
| EPS0150EG   | 1-1/2"            | 1"     | 11/32" |
| EPS0200EG   | 2"                | 1-1/4" | 11/32" |



## CADDY® SPEED LINK

**NEW**



Page 62

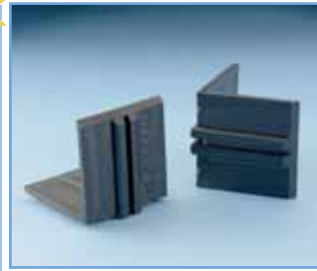
**CADDY® SPEED LINK**

**NEW**



Page 63

**CADDY® SPEED LINK LD**



Page 64

**SLADCP**



Page 64

**SLADS**



Page 64

**SLWC**



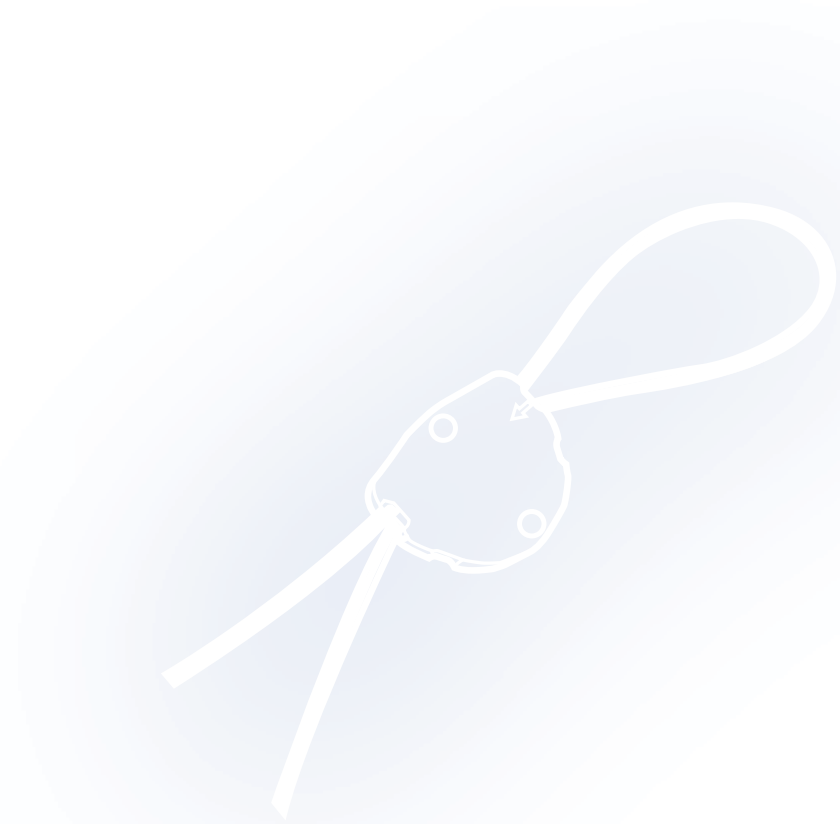
Page 64

**SLWPT**



Page 64

**SLEB**



## CADDY® SPEED LINK



### Hanging System

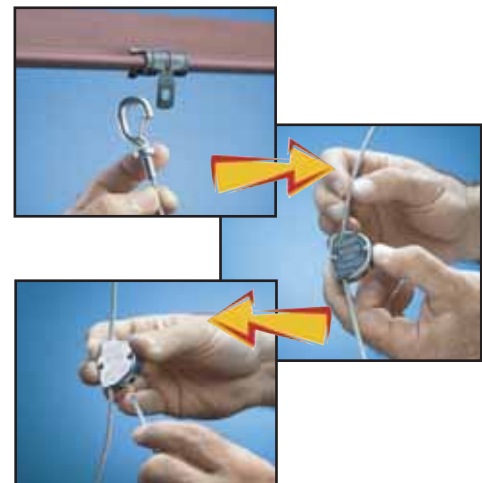
- Size Range: 0.079" and 0.118" wire rope
- Surface Finish: Stainless Steel/Galvanized Steel
- Universal support system recommended for the suspension of ductwork, piping or equipment
- Tested and found to be acceptable alternative to the duct hanger systems prescribed in the SMACNA<sup>SM</sup> HVAC Duct Construction Standards (HVAC-DCS), 2nd Edition, Chapter 4, Tables 4-1, 4-1M, 4-2 and 4-2M
- Meets the fire rating requirements for DIN 4102-2 for 30 minutes at 30% of rated load
- 5:1 Safety Factor



| Part Number           | Wire Rope Dimensions |               | Qty. per Box | Max. Working Load (lbs) |
|-----------------------|----------------------|---------------|--------------|-------------------------|
|                       | Wire Rope Size       | Length        |              |                         |
| SLD2L1                | 0.079 in (2 mm)      | 3.3 ft (1 m)  | 100          | 100 lbs (45 kg)         |
| SLD2L2                | 0.079 in (2 mm)      | 6.6 ft (2 m)  | 100          | 100 lbs (45 kg)         |
| SLD2L3                | 0.079 in (2 mm)      | 9.9 ft (3 m)  | 100          | 100 lbs (45 kg)         |
| SLD2L5                | 0.079 in (2 mm)      | 16.4 ft (5 m) | 50           | 100 lbs (45 kg)         |
| SLD2L10               | 0.079 in (2 mm)      | 32.8 (10 m)   | 25           | 100 lbs (45 kg)         |
| SLD3L1                | 0.118 in (3 mm)      | 3.3 ft (1 m)  | 100          | 200 lbs (90 kg)         |
| SLD3L2                | 0.118 in (3 mm)      | 6.6 ft (2 m)  | 100          | 200 lbs (90 kg)         |
| SLD3L3                | 0.118 in (3 mm)      | 9.9 ft (3 m)  | 50           | 200 lbs (90 kg)         |
| SLD3L5                | 0.118 in (3 mm)      | 16.4 ft (5 m) | 50           | 200 lbs (90 kg)         |
| SLD3L10               | 0.118 in (3 mm)      | 32.8 (10 m)   | 25           | 200 lbs (90 kg)         |
| Individually Packaged |                      |               |              |                         |
| SLD2L1BP              | 0.079 in (2 mm)      | 3.3 ft (1 m)  | 100          | 100 lbs (45 kg)         |
| SLD2L2BP              | 0.079 in (2 mm)      | 6.6 ft (2 m)  | 100          | 100 lbs (45 kg)         |
| SLD2L3BP              | 0.079 in (2 mm)      | 9.9 ft (3 m)  | 100          | 100 lbs (45 kg)         |
| SLD3L2BP              | 0.118 in (3 mm)      | 6.6 ft (2 m)  | 100          | 200 lbs (90 kg)         |
| SLD3L3BP              | 0.118 in (3 mm)      | 9.9 ft (3 m)  | 50           | 200 lbs (90 kg)         |
| Stainless Steel       |                      |               |              |                         |
| SLD3L2SS              | 0.118 in (3 mm)      | 6.6 ft (2 m)  | 100          | 200 lbs (90 kg)         |
| SLD3L3SS              | 0.118 in (3 mm)      | 9.9 ft (3 m)  | 50           | 200 lbs (90 kg)         |

### Features

- Eliminates threaded rod and associated hardware
- Reduces installation time
- Quickly installs as a stand-alone hanging system without drilling into the building structure
- Increases installation versatility
- Allows for easy adjustments of supported objects during and after installation with a unique locking device



The ERICO website contains an aid to determine the length of the CADDY SPEED LINK necessary for a specific application.



## CADDY® SPEED LINK LD

### Light Duty Hanging System

- Size Range: 0.059" wire rope
- Surface Finish: Stainless Steel/Galvanized Steel
- Universal support system recommended for the suspension of ductwork, piping or equipment
- Meets the fire rating requirements for DIN 4102-2 for 30 minutes at 30% of rated load
- 5:1 Safety Factor



| Part Number     | Wire Rope Dimensions |                | Qty. per Box | Max. Working Load (lbs) |
|-----------------|----------------------|----------------|--------------|-------------------------|
|                 | Wire Rope Size       | Length         |              |                         |
| SLD15L2         | 0.059 in (1.5 mm)    | 6.6 ft (2 m)   | 20           | 44 lbs (20 kg)          |
| SLD15L5         | 0.059 in (1.5 mm)    | 16.4 ft (5 m)  | 20           | 44 lbs (20 kg)          |
| SLD15L10        | 0.059 in (1.5 mm)    | 32.8 ft (10 m) | 20           | 44 lbs (20 kg)          |
| Stainless Steel |                      |                |              |                         |
| SLD15L2S        | 0.059 in (1.5 mm)    | 6.6 ft (2 m)   | 2            | 44 lbs (20 kg)          |
| SLD15L5S        | 0.059 in (1.5 mm)    | 16.4 ft (5 m)  | 2            | 44 lbs (20 kg)          |
| SLD15L10S       | 0.059 in (1.5 mm)    | 32.8 ft (10 m) | 2            | 44 lbs (20 kg)          |

### Features

- Cost-effective alternative to jack chain, threaded rod and associated hardware
- Safe working load of 20 kg (44 lb)
- Adjustable after installation
- Works with a variety of CADDY® Fasteners

The ERICO website contains an aid to determine the length of the CADDY SPEED LINK necessary for a specific application.



## CADDY® SPEED LINK TOOLS AND ACCESSORIES

| P/N      | Description                              | Qty. per Box |
|----------|--|--------------|
| SLADCP   | Air Duct Corner Protector                | 10           |
| SLADS    | Air Duct Support Attachment              | 100          |
| SLWC     | Wire Cutter                              | 1            |
| SLWPT    | Wire Insulation Protection Tube          | 82 ft        |
| SL1214   | Cable Clip .468-.562 MC/AC Cable         | 100          |
| SL1518   | Cable Clip .500-.718 MC/AC Cable         | 100          |
| SLLC250* | Lighting Clip, 1/4"                      | 200          |
| SLEB250  | Eye Bolt M6; 1/4"; 1-1/4" long           | 100          |
| SLEB375  | Eye Bolt M8; 3/8"; 1-1/2" long           | 100          |
| SLEBWS   | Eye Bolt for Wood; H6, 60 mm long        | 100          |
| VAFT     | Installation tool for VF & AF assemblies | 1            |

\* 22,5 kg ultimate static load limit



## CADDY® PYRAMID

**NEW**



Page 66

**CADDY® PYRAMID 25**

**NEW**



Page 67

**CADDY® PYRAMID 50**

**NEW**



Page 68

**CADDY® PYRAMID 150**  
**CADDY® PYRAMID 300**  
**CADDY® PYRAMID 600**



## CADDY® PYRAMID 25

- Tested for outdoor use
- Small – 4" x 5" footprint
- Innovative designs won't damage roof membranes



| Part Number | Fig. No. | Description                      | Max. Rec. Load (lbs) |
|-------------|----------|----------------------------------|----------------------|
| PPRPS25H4   | 1        | 3-5/8" High Rooftop Pipe Support | 25                   |
| PPRPS25H6   | 2        | 5-5/8" High Rooftop Pipe Support | 25                   |



### Features

- Lightweight – Less than 1/3 lb.
- Protective – Sled design distributes the load evenly and protects the roof membrane
- Durable – UV-Rated
- Capable – Handles up to three 1/2" or two 3/4" or 1" pipes/conduit
- Easy to Install – No tools or fasteners needed
- Available in both 3-5/8 in. high and 5-5/8 in. high models

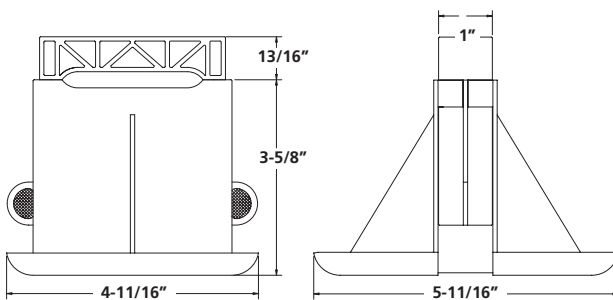


Fig. 1

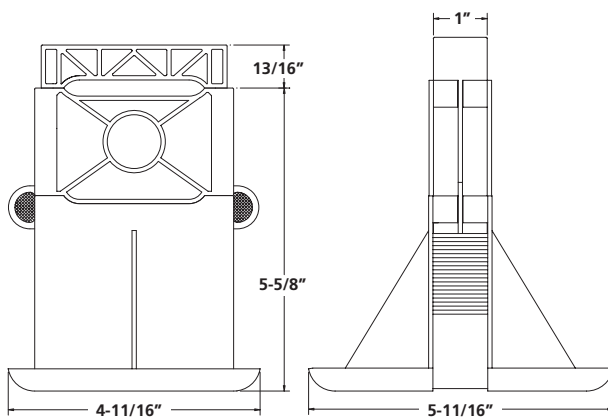


Fig. 2



## CADDY® PYRAMID 50

- Surface Finish: Electro-zinc plated, CADDY® COAT Silver
- Eliminates need to field-fabricate rooftop pipe supports
- Large footprints of foam bases distribute loads over wider area
- Tested for outdoor use
- Innovative designs won't damage roof membranes
- The RPS50AHSV is a support for pipes and equipment in plenum areas below raised floors
- 14 gauge steel top accepts standard strut fittings



| Part Number | Fig. No. | L       | W       | H       | Max. Rec. Load (lbs) |
|-------------|----------|---------|---------|---------|----------------------|
| RPS50AHSV   | 3        | 10-3/8" | 3-5/16" | 2-5/16" | 50                   |
| RPS50H4EG   | 4        | 10-3/8" | 4"      | 4"      | 50                   |
| RPS50H6EG   | 5        | 10-3/8" | 5"      | 6"      | 50                   |

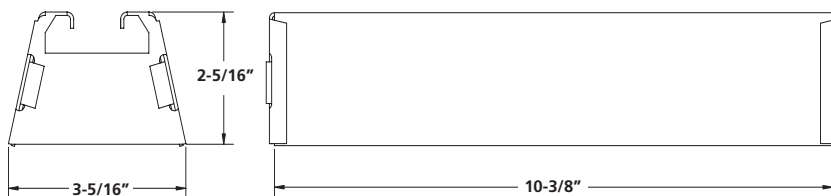


Fig. 3 CADDY COAT Silver

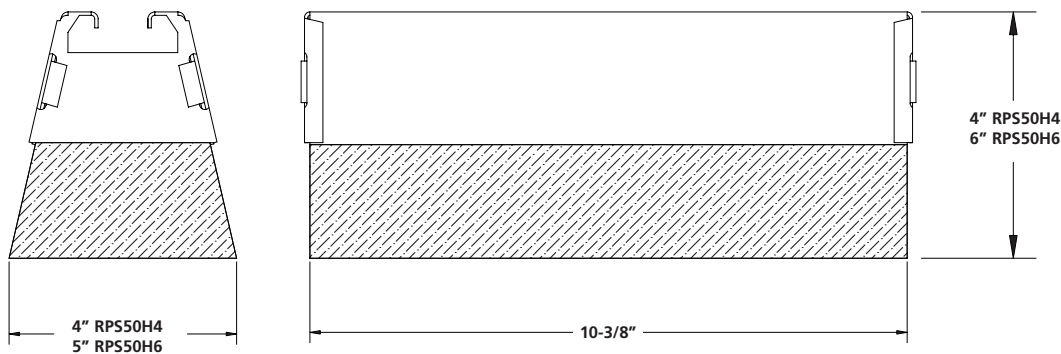


Fig. 4 & 5 Electro-zinc plated

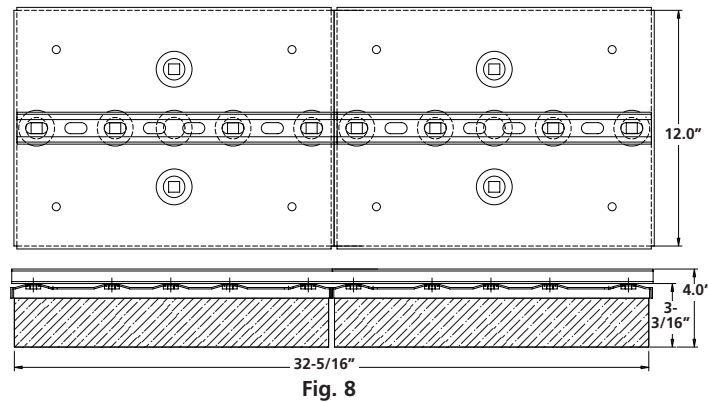
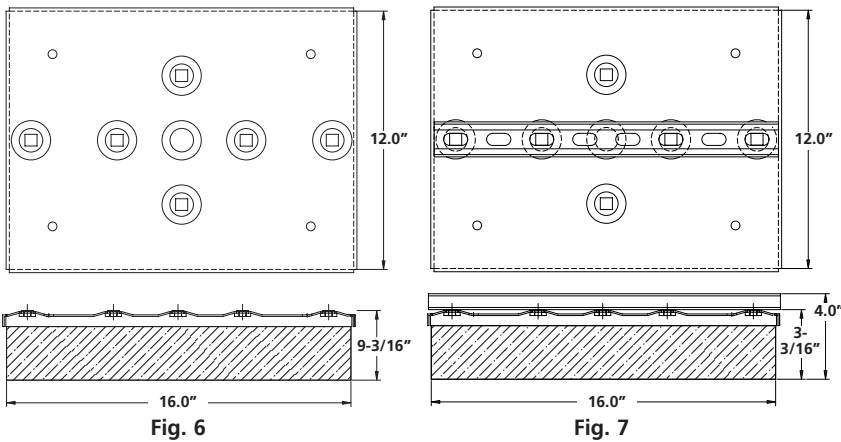
## CADDY® PYRAMID 150 CADDY® PYRAMID 300 CADDY® PYRAMID 600



- Surface Finish: Electro-zinc plated
- Tested for outdoor use
- Each base includes a total of six (6) 3/8"-16 threaded inserts to facilitate attachment of threaded hardware
- Eliminates need to field-fabricate rooftop pipe supports
- Large footprints of bases distribute loads over wider area
- Innovative designs won't damage roof membranes
- Available as an assembly with and without CADDY® ERISTRUT channel attached for use as a pipe or equipment support
- May also be used with the P10, P11 and P12 post bases



| Part Number | Fig. No.  | L   | W   | H       | With Strut | Max. Rec. Load (lbs) |
|-------------|-----------|-----|-----|---------|------------|----------------------|
| RPS150T1    | 6         | 16" | 12" | 3-3/16" | -          | 150                  |
| RPS150T2    | 7         | 16" | 12" | 4"      | X          | 150                  |
| RPS300T1    | 6         | 16" | 12" | 3-3/16" | -          | 300                  |
| RPS300T2    | 7         | 16" | 12" | 4"      | X          | 300                  |
| RPS600T2    | 8         | 32" | 12" | X       | 600        |                      |
| RPSCSEG     | Not shown | -   | -   | -       | -          | 600                  |





Page 70

**EG**



Page 70

**CP**



Page 71

**CU**



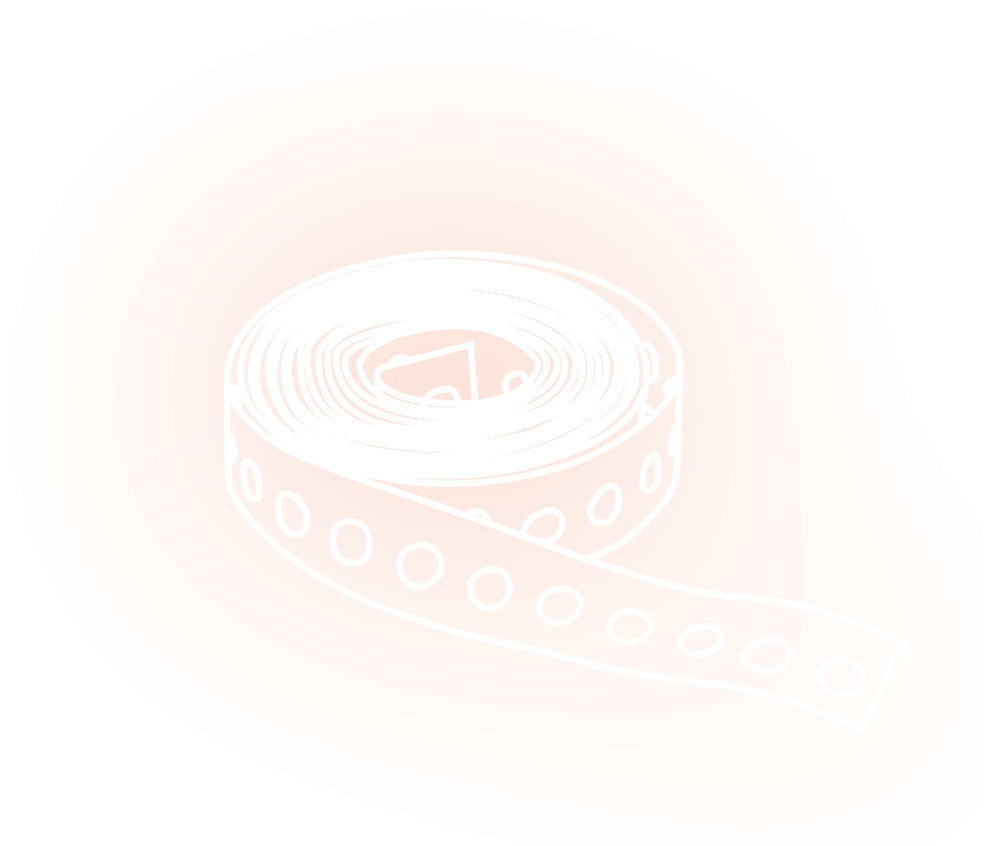
Page 71

**MSR**



Page 72

**MSS**



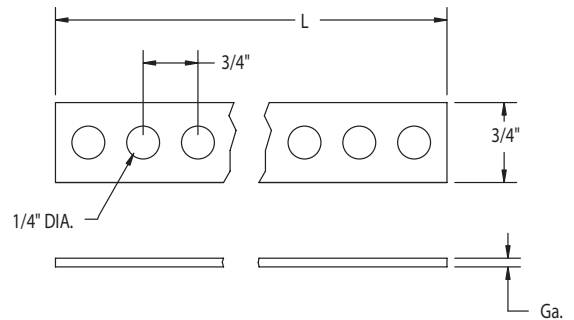
## PIPE FIXINGS 009

### Perforated Hanger Strap EG

- Size Range: 3/4" x 10' L
- Surface Finish: Electro-zinc plated
- Light duty, residential pipe support
- Follow fastener manufacturer's recommended shear and pull-out strength guidelines when fastening to the structure



| Part Number | Strap Gauge | L        | Max. Rec. Load (lbs) |
|-------------|-------------|----------|----------------------|
| 0097524EG   | 24          | 10' - 0" | 10                   |



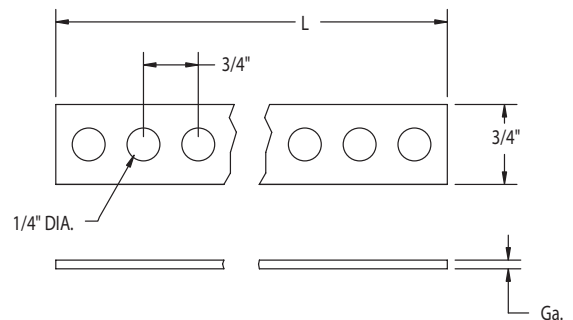
## PIPE FIXINGS 009

### Perforated Hanger Strap CP

- Size Range: 3/4" x 10' L
- Surface Finish: Copper-colored coating (for identification purposes only)
- Light duty, residential pipe support
- Follow fastener manufacturer's recommended shear and pull-out strength guidelines when fastening to the structure



| Part Number | Strap Gauge | L        | Max. Rec. Load (lbs) |
|-------------|-------------|----------|----------------------|
| 0097524CP   | 24          | 10' - 0" | 10                   |



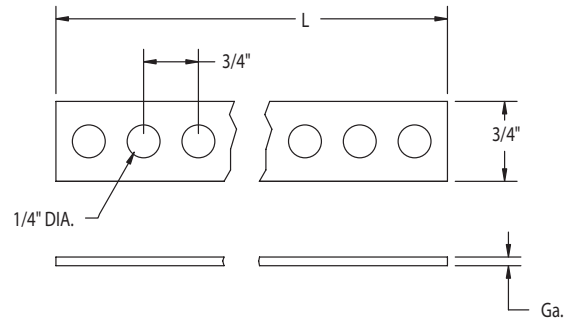
## PIPE FIXINGS 009

### Perforated Hanger Strap CU

- Size Range: 3/4" x 10' L
- Surface Finish: Solid Copper
- Light duty, residential pipe support
- Follow fastener manufacturer's recommended shear and pull-out strength guidelines when fastening to the structure



| Part Number | Strap Gauge | L        | Max. Rec. Load (lbs) |
|-------------|-------------|----------|----------------------|
| 0097524CU   | 24          | 10' - 0" | 10                   |



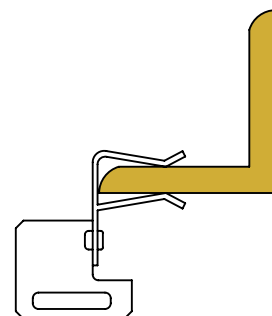
## STRUCTURAL ATTACHMENTS MSR

### Hammer-On Strap Hanger Clip

- Size Range: 1/8" – 3/4" Flange Thickness
- Surface Finish: Electro-zinc plated, CADDY® COAT
- Supports pipe or duct from flange with banding or strapping
- Note: Pre-measure length of strap, hammer clip onto flange, then trapeze pipe or duct. Accepts strap up to 1-1/4" wide



| Part Number | Flange Thickness | Max. Rec. Load (lbs) |
|-------------|------------------|----------------------|
| MSR24       | 1/8" – 1/4"      | 200                  |
| MSR58       | 5/16" – 1/2"     | 200                  |
| MSR912      | 9/16" – 3/4"     | 200                  |



## STRUCTURAL ATTACHMENTS MSS

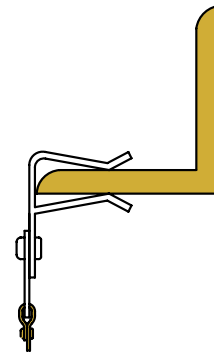
### Hammer-On Strap Hanger Clip

- Size Range: 1/8" – 3/4" Flange Thickness
- Surface Finish: Electro-zinc plated, CADDY® COAT
- Supports pipe or duct from flange with banding or strapping

**Note:** Pre-measure length of strap, hammer clip on to flange, then trapeze pipe or duct. Accepts strap up to 1-1/4" wide



| Part Number | Flange Thickness | Max. Rec. Load (lbs) |
|-------------|------------------|----------------------|
| MSS24       | 1/8" – 1/4"      | 200                  |
| MSS58       | 5/16" – 1/2"     | 200                  |
| MSS912      | 9/16" – 3/4"     | 200                  |





**NEW**



Page 74

**RIGD**



Page 75

**OD**



Page 76

**PCC**



Page 77

**TCC**



Page 78

**COPC**



Page 78

**EMTC**

**NEW**



Page 79

**TSM**

**NEW**



Page 79

**TSMI**

**NEW**



Page 80

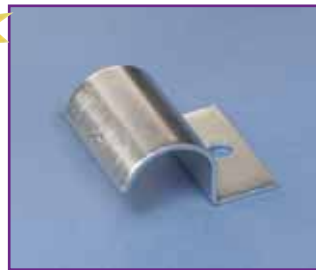
**SCH**

**NEW**



Page 81

**SK**



Page 82

**STR**



Page 82

**STR2**



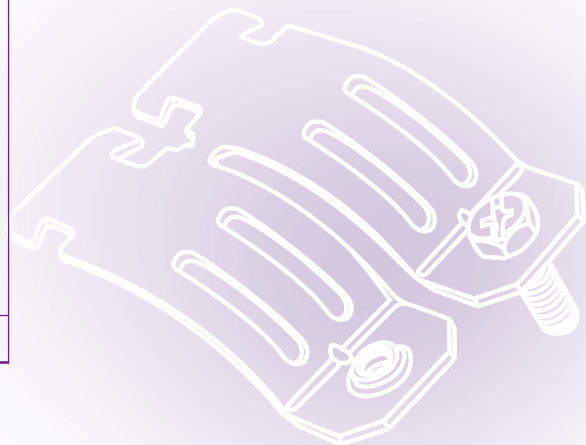
Page 83

**UNIV**



Page 83

**VS-20**



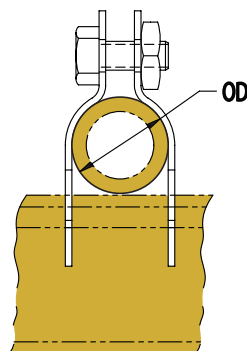
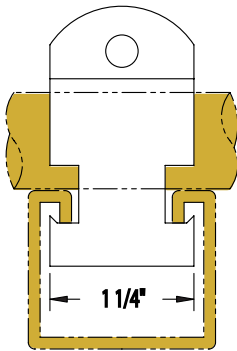
## STRUT PIPE CLAMPS RIGD

### Heavy Duty Strut Clamps

- Size Range: 3/8" thru 8"
- Surface Finish: Electro-zinc plated
- One piece break apart design (1/2" thru 4" pipe size) includes captive combo head machine screw and built in nut (thread impression)



| Part Number | Nominal Pipe Size | OD     | Strap GA | Max. Rec. Load (lbs) |
|-------------|-------------------|--------|----------|----------------------|
| RIGD0037EG  | 3/8"              | .675"  | 17 GA    | 400                  |
| RIGD0050EG  | 1/2"              | .840"  | 14 GA    | 400                  |
| RIGD0075EG  | 3/4"              | 1.050" | 14 GA    | 600                  |
| RIGD0100EG  | 1"                | 1.315" | 14 GA    | 600                  |
| RIGD0125EG  | 1-1/4"            | 1.660" | 14 GA    | 600                  |
| RIGD0150EG  | 1-1/2"            | 1.900" | 12 GA    | 800                  |
| RIGD0200EG  | 2"                | 2.375" | 12 GA    | 800                  |
| RIGD0250EG  | 2-1/2"            | 2.875" | 12 GA    | 800                  |
| RIGD0300EG  | 3"                | 3.500" | 12 GA    | 800                  |
| RIGD0350EG  | 3-1/2"            | 4.000" | 11 GA    | 1000                 |
| RIGD0400EG  | 4"                | 4.500" | 11 GA    | 1000                 |
| RIGD0500EG  | 5"                | 5.563" | 12 GA    | 1000                 |
| RIGD0600EG  | 6"                | 6.625" | 10 GA    | 1000                 |
| RIGD0800EG  | 8"                | 8.625" | 10 GA    | 1000                 |



## STRUT PIPE CLAMPS OD

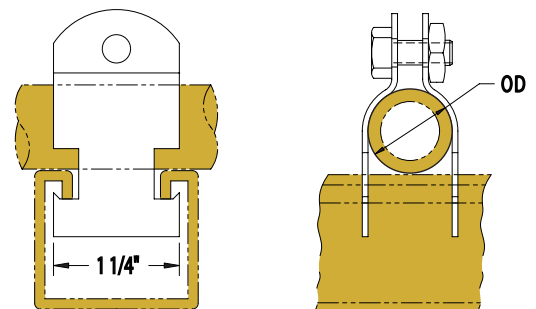
### Four piece Strut Clamps for Tubing

- Size Range: 1/4" thru 8-5/8"
- Surface Finish: Electro-zinc plated
- Other sizes available upon request
- Four piece design includes hex head machine screw and square nut



| Part Number | OD (in) | Strap GA | Max. Rec. Load (lbs) |
|-------------|---------|----------|----------------------|
| OD0025EG    | 1/4     | 17 GA    | 400                  |
| OD0037EG    | 3/8     | 17 GA    | 400                  |
| OD0050EG    | 1/2     | 17 GA    | 400                  |
| OD0062EG    | 5/8     | 17 GA    | 400                  |
| OD0075EG    | 3/4     | 17 GA    | 400                  |
| OD0087EG    | 7/8     | 17 GA    | 400                  |
| OD0100EG    | 1       | 15 GA    | 600                  |
| OD0112EG    | 1-1/8   | 15 GA    | 600                  |
| OD0125EG    | 1-1/4   | 15 GA    | 600                  |
| OD0137EG    | 1-3/8   | 15 GA    | 600                  |
| OD0150EG    | 1-1/2   | 15 GA    | 600                  |
| OD0162EG    | 1-5/8   | 15 GA    | 600                  |
| OD0175EG    | 1-3/4   | 13 GA    | 800                  |
| OD0187EG    | 1-7/8   | 13 GA    | 800                  |
| OD0200EG    | 2       | 13 GA    | 800                  |
| OD0212EG    | 2-1/8   | 13 GA    | 800                  |
| OD0225EG    | 2-1/4   | 13 GA    | 800                  |
| OD0237EG    | 2-3/8   | 13 GA    | 800                  |
| OD0250EG    | 2-1/2   | 13 GA    | 800                  |
| OD0262EG    | 2-5/8   | 13 GA    | 800                  |
| OD0275EG    | 2 3/4   | 13 GA    | 800                  |
| OD0287EG    | 2-7/8   | 13 GA    | 800                  |
| OD0300EG    | 3       | 13 GA    | 800                  |
| OD0312EG    | 3-1/8   | 13 GA    | 800                  |
| OD0325EG    | 3-1/4   | 13 GA    | 800                  |
| OD0337EG    | 3-3/8   | 13 GA    | 800                  |
| OD0350EG    | 3-1/2   | 13 GA    | 800                  |
| OD0362EG    | 3-5/8   | 12 GA    | 1000                 |
| OD0375EG    | 3-3/4   | 12 GA    | 1000                 |
| OD0387EG    | 3-7/8   | 12 GA    | 1000                 |
| OD0400EG    | 4       | 12 GA    | 1000                 |
| OD0412EG    | 4-1/8   | 12 GA    | 1000                 |
| OD0425EG    | 4-1/4   | 12 GA    | 1000                 |
| OD0437EG    | 4-3/8   | 12 GA    | 1000                 |
| OD0450EG    | 4-1/2   | 12 GA    | 1000                 |
| OD0462EG    | 4-5/8   | 12 GA    | 1000                 |
| OD0475EG    | 4-3/4   | 12 GA    | 1000                 |
| OD0487EG    | 4-7/8   | 12 GA    | 1000                 |
| OD0500EG    | 5       | 12 GA    | 1000                 |
| OD0512EG    | 5-1/8   | 12 GA    | 1000                 |

| Part Number | OD (in) | Strap GA | Max. Rec. Load (lbs) |
|-------------|---------|----------|----------------------|
| OD0525EG    | 5-1/4   | 12 GA    | 1000                 |
| OD0537EG    | 5-3/8   | 12 GA    | 1000                 |
| OD0550EG    | 5-1/2   | 12 GA    | 1000                 |
| OD0562EG    | 5-5/8   | 10 GA    | 1000                 |
| OD0575EG    | 5-3/4   | 10 GA    | 1000                 |
| OD0587EG    | 5-7/8   | 10 GA    | 1000                 |
| OD0600EG    | 6       | 10 GA    | 1000                 |
| OD0612EG    | 6-1/8   | 10 GA    | 1000                 |
| OD0625EG    | 6-1/4   | 10 GA    | 1000                 |
| OD0637EG    | 6-3/8   | 10 GA    | 1000                 |
| OD0650EG    | 6-1/2   | 10 GA    | 1000                 |
| OD0662EG    | 6-5/8   | 10 GA    | 1000                 |
| OD0675EG    | 6-3/4   | 10 GA    | 1000                 |
| OD0687EG    | 6-7/8   | 10 GA    | 1000                 |
| OD0700EG    | 7       | 10 GA    | 1000                 |
| OD0712EG    | 7-1/8   | 10 GA    | 1000                 |
| OD0725EG    | 7-1/4   | 10 GA    | 1000                 |
| OD0737EG    | 7-3/8   | 10 GA    | 1000                 |
| OD0750EG    | 7-1/2   | 10 GA    | 1000                 |
| OD0762EG    | 7-5/8   | 10 GA    | 1000                 |
| OD0775EG    | 7-3/4   | 10 GA    | 1000                 |
| OD0787EG    | 7-7/8   | 10 GA    | 1000                 |
| OD0800EG    | 8       | 10 GA    | 1000                 |
| OD0812EG    | 8-1/8   | 10 GA    | 1000                 |
| OD0825EG    | 8-1/4   | 10 GA    | 1000                 |
| OD0837EG    | 8-3/8   | 10 GA    | 1000                 |
| OD0850EG    | 8-1/2   | 10 GA    | 1000                 |
| OD0862EG    | 8-5/8   | 10 GA    | 1000                 |



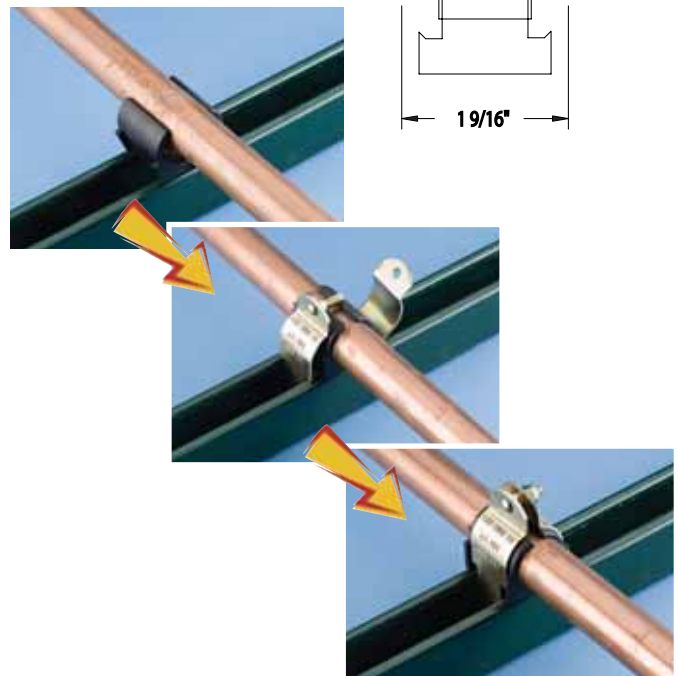
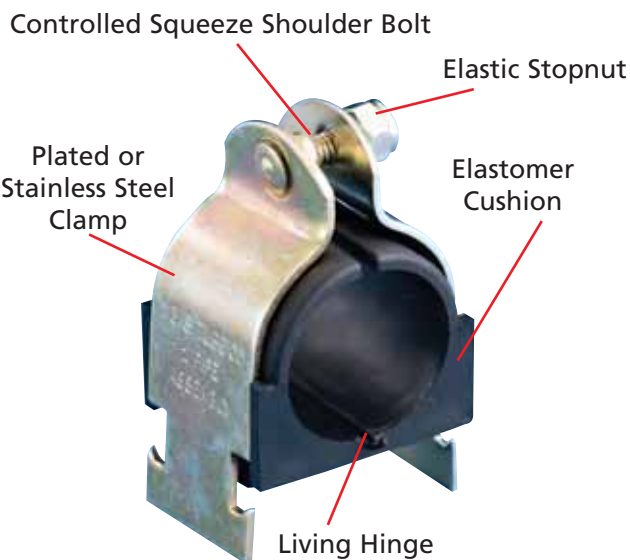
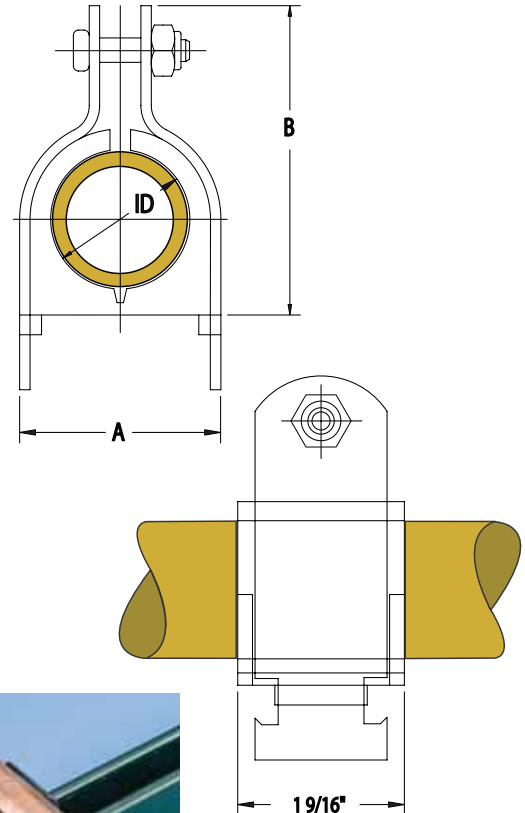
## CADDY® CUSHION CLAMP PCC

### Pipe Cushion Clamps

- Size Range: 1/4" thru 6"
- Surface Finish: Yellow di-chromate
- Ideal for multiple runs while absorbing shock and vibration, reducing unwanted noise and preventing galvanic corrosion
- Fits any standard 1-5/8" wide strut channel
- Interlock edges and channel locator legs help ensure that the cushion remains in place



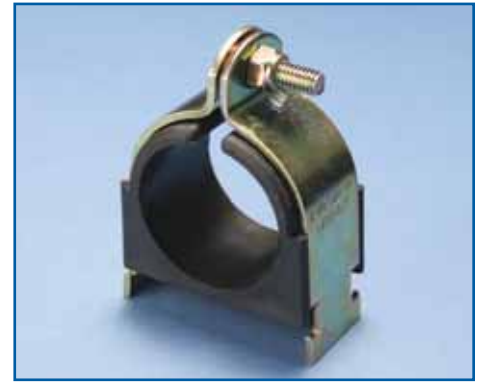
| Part Number | Nominal Pipe Size | ID    | A     | B     |
|-------------|-------------------|-------|-------|-------|
| PCC0025EG   | 1/4"              | .54"  | .98"  | 1.34" |
| PCC0037EG   | 3/8"              | .67"  | 1.13" | 1.54" |
| PCC0050EG   | 1/2"              | .84"  | 1.29" | 1.82" |
| PCC0075EG   | 3/4"              | 1.05" | 1.57" | 2.08" |
| PCC0100EG   | 1"                | 1.31" | 1.76" | 2.34" |
| PCC0125EG   | 1-1/4"            | 1.66" | 2.17" | 2.73" |
| PCC0150EG   | 1-1/2"            | 1.90" | 2.35" | 2.86" |
| PCC0200EG   | 2"                | 2.37" | 2.82" | 3.67" |
| PCC0250EG   | 2-1/2"            | 2.87" | 3.32" | 4.17" |
| PCC0300EG   | 3"                | 3.50" | 3.95" | 4.79" |
| PCC0350EG   | 3-1/2"            | 4.00" | 4.45" | 5.42" |
| PCC0400EG   | 4"                | 4.50" | 4.95" | 5.92" |
| PCC0500EG   | 5"                | 5.56" | 6.01" | 6.92" |
| PCC0600EG   | 6"                | 6.62" | 7.07" | 8.23" |



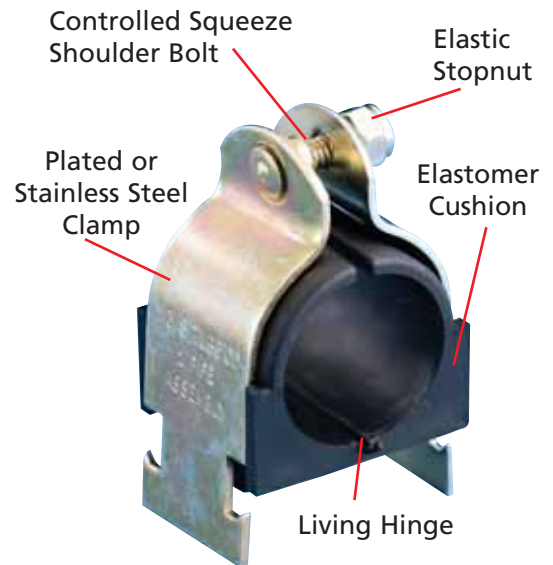
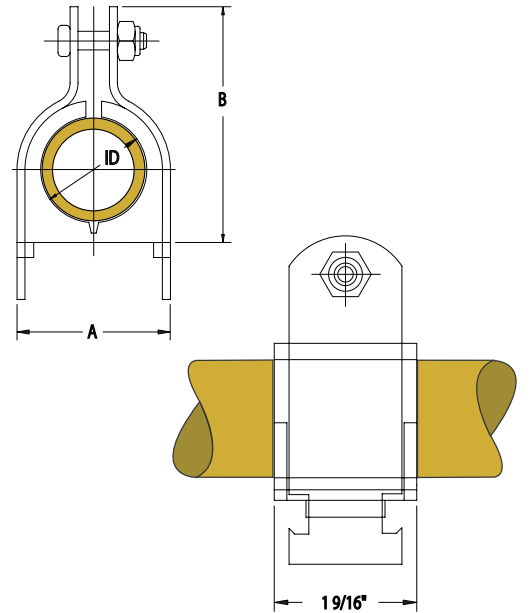
## CADDY® CUSHION CLAMP TCC

### Tubing Cushion Clamps

- Size Range: 1/4" thru 6"
- Surface Finish: Yellow di-chromate
- Ideal for multiple runs while absorbing shock and vibration, reducing unwanted noise and preventing galvanic corrosion
- Fits any standard 1-5/8" wide strut channel
- Interlock edges and channel locator legs help ensure that the cushion remains in place



| Part Number | Nominal Pipe Size     |                             | ID    | A     | B     |
|-------------|-----------------------|-----------------------------|-------|-------|-------|
|             | Copper & Steel Tubing | Copper Water Pipe (Nominal) |       |       |       |
| TCC0025CP   | 1/4"                  | -                           | .25"  | .62"  | .98"  |
| TCC0037CP   | 3/8"                  | 1/4"                        | .37"  | .82"  | 1.13" |
| TCC0050CP   | 1/2"                  | 3/8"                        | .50"  | .94"  | 1.34" |
| TCC0062CP   | 5/8"                  | 1/2"                        | .62"  | 1.06" | 1.54" |
| TCC0075CP   | 3/4"                  | 5/8"                        | .75"  | 1.20" | 1.68" |
| TCC0087CP   | 7/8"                  | 3/4"                        | .87"  | 1.31" | 1.82" |
| TCC0100CP   | 1"                    | 7/8"                        | 1.00" | 1.44" | 1.95" |
| TCC0112CP   | 1-1/8"                | 1"                          | 1.12" | 1.57" | 2.08" |
| TCC0125CP   | 1-1/4"                | 1-1/8"                      | 1.25" | 1.70" | 2.21" |
| TCC0137CP   | 1-3/8"                | 1-1/4"                      | 1.37" | 1.82" | 2.34" |
| TCC0150CP   | 1-1/2"                | 1-3/8"                      | 1.50" | 1.95" | 2.47" |
| TCC0162CP   | 1-5/8"                | 1-1/2"                      | 1.62" | 2.07" | 2.60" |
| TCC0175CP   | 1-3/4"                | -                           | 1.75" | 2.20" | 2.73" |
| TCC0187CP   | 1-7/8"                | -                           | 1.87" | 2.32" | 2.86" |
| TCC0200CP   | 2"                    | -                           | 2.00" | 2.45" | 3.04" |
| TCC0212CP   | 2-1/8"                | 2"                          | 2.12" | 2.57" | 3.23" |
| TCC0250CP   | 2-1/2"                | -                           | 2.50" | 2.94" | 3.79" |
| TCC0262CP   | 2-5/8"                | 2-1/2"                      | 2.62" | 3.07" | 3.92" |
| TCC0300CP   | 3"                    | -                           | 3.00" | 3.57" | 4.29" |
| TCC0312CP   | 3-1/8"                | 3"                          | 3.12" | 3.57" | 4.42" |
| TCC0331CP   | 3-5/16"               | -                           | 3.31" | 3.96" | 4.75" |
| TCC0362CP   | 3-5/8"                | -                           | 3.62" | 4.20" | 5.11" |
| TCC0412CP   | 4-1/8"                | 4"                          | 4.12" | 4.57" | 5.54" |
| TCC0431CP   | 4-5/16"               | -                           | 4.34" | 4.96" | 5.84" |
| TCC0512CP   | 5-1/8"                | 5"                          | 5.12" | 5.57" | 6.54" |
| TCC0612CP   | 6-1/8"                | 6"                          | 6.12" | 6.57" | 7.54" |



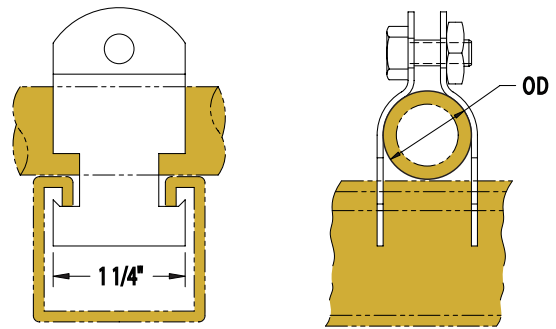
## STRUT PIPE CLAMPS COPC

### One piece Strut Clamps for Copper Tubing

- Size Range: 1/4" thru 6"
- Surface Finish: Copper-colored coating (for identification purposes only)
- One piece break apart design (1/2" thru 4" pipe size) includes captive combo head machine screw and built in nut (thread impression)



| Part Number | Nominal Pipe Size | OD     | Max. Rec. Load (lbs) |
|-------------|-------------------|--------|----------------------|
| COPC0025CP  | 1/4"              | 3/8"   | 400                  |
| COPC0037CP  | 3/8"              | 1/2"   | 400                  |
| COPC0050CP  | 1/2"              | 5/8"   | 400                  |
| COPC0075CP  | 3/4"              | 7/8"   | 400                  |
| COPC0100CP  | 1"                | 1-1/8" | 600                  |
| COPC0125CP  | 1-1/4"            | 1-3/8" | 600                  |
| COPC0150CP  | 1-1/2"            | 1-5/8" | 600                  |
| COPC0200CP  | 2"                | 2-1/8" | 800                  |
| COPC0250CP  | 2-1/2"            | 2-5/8" | 800                  |
| COPC0300CP  | 3"                | 3-1/8" | 800                  |
| COPC0350CP  | 3-1/2"            | 3-5/8" | 1000                 |
| COPC0400CP  | 4"                | 4-1/8" | 1000                 |
| COPC0500CP  | 5"                | 5-1/8" | 1000                 |
| COPC0600CP  | 6"                | 6-1/8" | 1000                 |



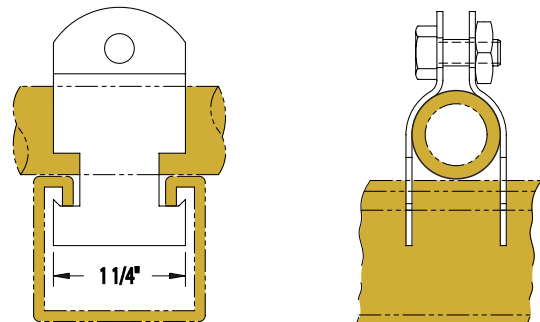
## STRUT PIPE CLAMPS EMTC

### Four piece Strut Clamps for EMT Conduit

- Size Range: 1/2" thru 2" EMT conduit
- Surface Finish: Electro-zinc plated
- Four piece design includes slotted hex head machine screw and square nut



| Part Number | Nominal Pipe Size | Max. Rec. Load (lbs) |
|-------------|-------------------|----------------------|
| EMTC0050EG  | 1/2"              | 400                  |
| EMTC0075EG  | 3/4"              | 600                  |
| EMTC0100EG  | 1"                | 600                  |
| EMTC0125EG  | 1-1/4"            | 600                  |
| EMTC0150EG  | 1-1/2"            | 800                  |
| EMTC0200EG  | 2"                | 800                  |



## PIPE FIXINGS TSM

### TSM Non-metallic Tubing Channel Clip

- Size Range: 1/4" thru 1-1/2" CT sizes
- Use for installation of refrigeration, A/C tubing and PEX piping in horizontal and vertical channels
- Requires no tools for installation
- Fits any standard 1-5/8" wide strut channel

| Part Number | Nominal CT Size | PEX Piping | CPVC Drain Pipe |
|-------------|-----------------|------------|-----------------|
| TSM0037     | 1/4"            | 1/4"       | -               |
| TSM0050     | 3/8"            | 3/8"       | -               |
| TSM0062     | 1/2"            | 1/2"       | -               |
| TSM0075     | 5/8"            | 5/8"       | -               |
| TSM0087     | 3/4"            | 3/4"       | 1/2"            |
| TSM0112     | 1"              | 1"         | 3/4"            |
| TSM0137     | 1-1/4"          | 1-1/4"     | 1"              |
| TSM0162     | 1-1/2"          | 1-1/2"     | -               |



## PIPE FIXINGS TSMI

### TSMI Non-metallic Tubing Channel Clip for Insulated Lines

- Size Range: 1/4" thru 1-1/2" CT sizes
- Use for installation of refrigeration, A/C tubing and PEX piping in horizontal and vertical channels
- Requires no tools for installation
- Fits any standard 1-5/8" wide strut channel
- Allows installation of copper tubing together with insulation of either 3/8" (9 mm) or 1/2" (13 mm) thickness

| Part Number | Nominal CT Size | PEX Piping | CPVC Drain Pipe |
|-------------|-----------------|------------|-----------------|
| TSMI0037    | 1/4"            | 1/4"       | -               |
| TSMI0050    | 3/8"            | 3/8"       | -               |
| TSMI0062    | 1/2"            | 1/2"       | -               |
| TSMI0075    | 5/8"            | 5/8"       | -               |
| TSMI0087    | 3/4"            | 3/4"       | 1/2"            |
| TSMI0112    | 1"              | 1"         | 3/4"            |
| TSMI0137    | 1-1/4"          | 1-1/4"     | 1"              |
| TSMI0162    | 1-1/2"          | 1-1/2"     | -               |



## STRUT PIPE CLAMPS SCH

### One-piece Strut Clips for MC/AC Cable and EMT Conduit

- Size Range: 1/2" thru 4"
- Surface Finish: Electro-zinc plated
- One-piece installation – no screws or bolts to drop
- Requires only a screwdriver or nutdriver for installation
- Fits any standard 1-5/8" wide strut channel



| Part Number | Fig. No. | EMT        | RIGID  | Cable OD Range | Max. Rec. Load (lbs) |
|-------------|----------|------------|--------|----------------|----------------------|
| SCH8        | 1        | 1/2"       | -      | -              | 200                  |
| SCH12       | 1        | 3/4"       | 1/2"   | -              | 200                  |
| SCH16       | 1        | 1"         | 3/4"   | -              | 200                  |
| SCH20       | 1        | 1-1/4"     | 1"     | -              | 200                  |
| SCH6B       | 2        | 3/8" MC/AC | -      | .10" - .63"    | 200                  |
| SCH8B       | 2        | 1/2"       | -      | .34" - .71"    | 200                  |
| SCH12B      | 2        | 3/4"       | 1/2"   | .57" - .92"    | 200                  |
| SCH16B      | 2        | 1"         | 3/4"   | .72" - 1.16"   | 200                  |
| SCH20B      | 2        | 1-1/4"     | 1"     | 1.00" - 1.51"  | 200                  |
| SCH24B      | 2        | 1-1/2"     | 1-1/4" | 1.25" - 1.74"  | 350                  |
| SCH32B      | 2        | 2"         | 1-1/2" | 1.74" - 2.20"  | 350                  |
| SCH40B      | 3        | -          | 2"     | 2.00" - 2.38"  | 350                  |
| SCH48B      | 3        | 2-1/2"     | 2-1/2" | 2.38" - 2.88"  | 350                  |
| SCH56B      | 3        | 3"         | 3"     | 2.72" - 3.50"  | 350                  |
| SCH64B      | 3        | 3-1/2"     | 3-1/2" | 3.25" - 4.00"  | 350                  |
| SCH72B      | 3        | 4"         | 4"     | 3.85" - 4.50"  | 350                  |

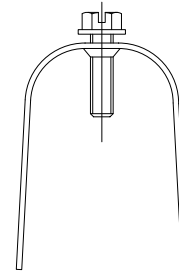


Fig.1

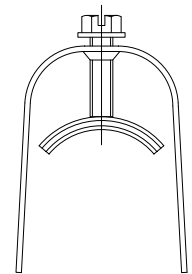


Fig.2

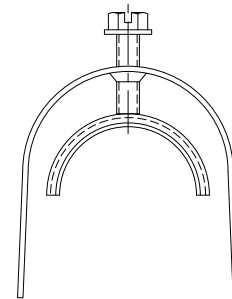


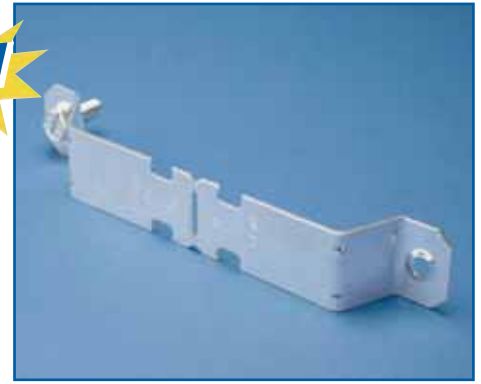
Fig.3



## STRUT PIPE CLAMPS SK

### One-piece Universal Strut Clips

- Size Range: 1/2" thru 4"
- Surface Finish Electro-zinc plated
- One-piece break apart design includes captive combo head machine screw and built-in nut (thread impression)
- Fits any standard 1-5/8" wide strut channel
- One size fits both EMT conduit and Rigid pipe sizes



| Part Number | Fig. No. | EMT RIGID | Max. Rec. Load (lbs) |
|-------------|----------|-----------|----------------------|
| SK85I       | 1        | 1/2"      | 200                  |
| SK125I      | 1        | 3/4"      | 200                  |
| SK165I      | 1        | 1"        | 200                  |
| SK205I      | 1        | 1-1/4"    | 200                  |
| SK245I      | 1        | 1-1/2"    | 200                  |
| SK325I      | 1        | 2"        | 200                  |
| SK405I      | 2        | 2-1/2"    | 350                  |
| SK485I      | 2        | 3"        | 350                  |
| SK565I      | 2        | 3-1/2"    | 350                  |
| SK645I      | 2        | 4"        | 350                  |

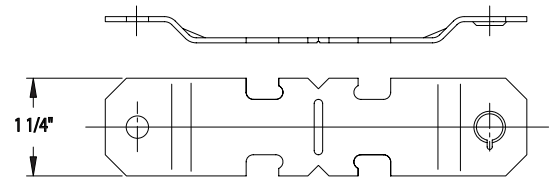


Fig.1

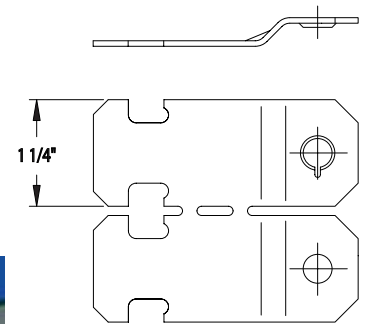


Fig.2

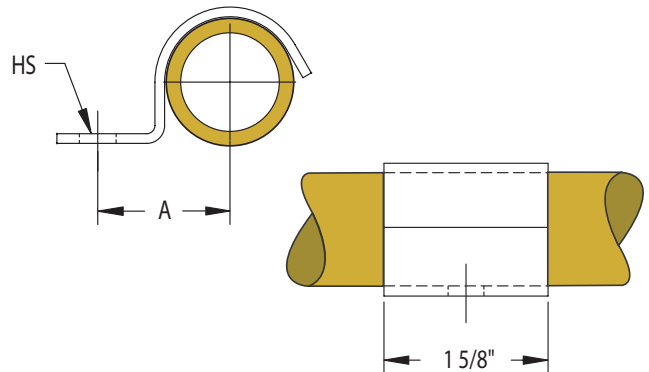


## PIPE FIXINGS STR

### One-hole Pipe Strap for Strut

- Size Range: 1/4" thru 1"
- Surface Finish: Electro-zinc plated
- Fits any standard 1-5/8" wide strut channel

| Part Number | Nominal Pipe Size | A      | HS    |
|-------------|-------------------|--------|-------|
| STR0025EG   | 1/4"              | 11/16" | 9/32" |
| STR0037EG   | 3/8"              | 3/4"   | 9/32" |
| STR0050EG   | 1/2"              | 13/16" | 9/32" |
| STR0062EG   | 5/8"              | 7/8"   | 9/32" |
| STR0075EG   | 3/4"              | 15/16" | 9/32" |
| STR0087EG   | 7/8"              | 1"     | 9/32" |
| STR0100EG   | 1"                | 1-1/8" | 9/32" |

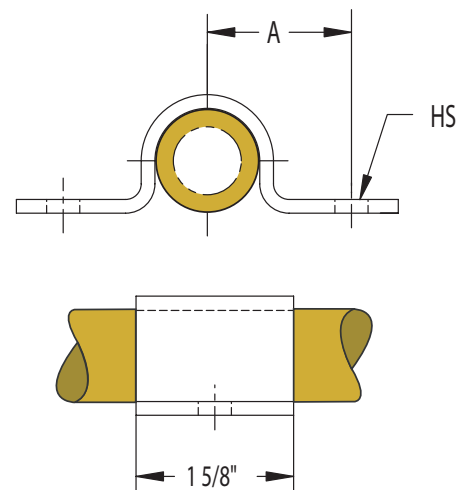
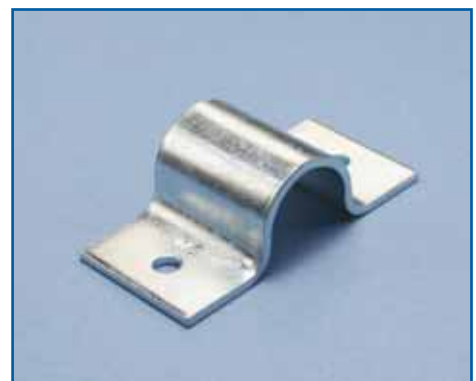


## PIPE FIXINGS STR2

### Two-hole Pipe Strap for Strut

- Size Range: 1/2" thru 6"
- Surface Finish: Electro-zinc plated
- Fits any standard 1-5/8" wide strut channel

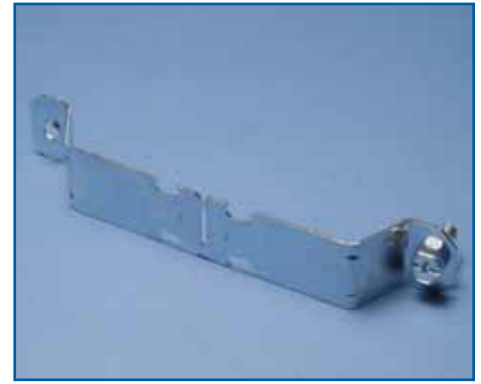
| Part Number | Nominal Pipe Size | A        | HS    | Max. Rec. Load (lbs) |
|-------------|-------------------|----------|-------|----------------------|
| STR20050EG  | 1/2"              | 1-1/16"  | 9/32" | 600                  |
| STR20075EG  | 3/4"              | 1-3/16"  | 9/32" | 600                  |
| STR20100EG  | 1"                | 1-3/8"   | 9/32" | 600                  |
| STR20125EG  | 1-1/4"            | 1-7/16"  | 9/32" | 600                  |
| STR20150EG  | 1-1/2"            | 1-5/8"   | 9/32" | 600                  |
| STR20200EG  | 2"                | 2-3/16"  | 7/16" | 1200                 |
| STR20250EG  | 2-1/2"            | 2-7/16"  | 7/16" | 1200                 |
| STR20300EG  | 3"                | 2-13/16" | 7/16" | 1200                 |
| STR20350EG  | 3-1/2"            | 3-1/4"   | 7/16" | 1200                 |
| STR20400EG  | 4"                | 3-5/16"  | 7/16" | 1500                 |
| STR20500EG  | 5"                | 3-7/8"   | 7/16" | 1500                 |
| STR20600EG  | 6"                | 4-1/2"   | 7/16" | 1500                 |



## STRUT PIPE CLAMPS UNIV

### One-piece Strut Clip for Rigid or EMT Conduit

- Size Range: 1/2" thru 2" Rigid or EMT conduit
- Surface Finish: Electro-zinc plated
- One-piece break apart design includes captive combo head machine screw and built-in nut (thread impression)



| Part Number | Nominal Pipe Size | Max. Rec. Load (lbs) |
|-------------|-------------------|----------------------|
| UNIV0050EG  | 1/2"              | 400                  |
| UNIV0075EG  | 3/4"              | 600                  |
| UNIV0100EG  | 1"                | 600                  |
| UNIV0125EG  | 1-1/4"            | 600                  |
| UNIV0150EG  | 1-1/2"            | 800                  |
| UNIV0200EG  | 2"                | 800                  |



## PIPE FIXINGS VS-20

### Vibra-strip Cushion Strip for Strut Clamps

- Isolation material for use with strut clamps
- Inhibits galvanic corrosion
- Dampens sound and vibration
- Service temperature range of -75°F to +375°F
- P/N: VS200000



# NEW Products



## CPVC PIPE FIXING SO

- Two-hole strap for CPVC pipe
- Support CPVC pipe off of the vertical face of structural or composite wood joists with a minimum of 3/8" web thickness

See page 87



**NEW**



Page 86

**107**



Page 86

**108**



Page 87

**109**



Page 87

**SO**

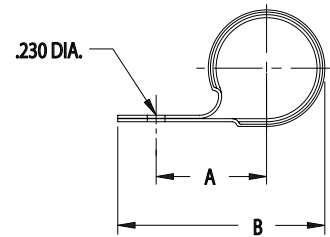
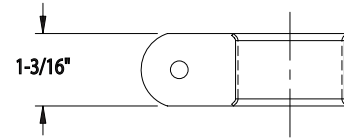


## CPVC PIPE FIXINGS 107

### One-hole Wrap Around Strap for CPVC Pipe

- Size Range: 3/4" thru 2" CPVC pipe
- Surface Finish: Electro-zinc plated
- Support CPVC pipe horizontally from top or side of beam
- Flared edges protect the CPVC piping

| Part Number | Nominal Pipe Size | A       | B        | Max. Hanger Spacing |
|-------------|-------------------|---------|----------|---------------------|
| 1070075EG   | 3/4"              | 1-1/4"  | 2-3/8"   | 5-1/2'              |
| 1070100EG   | 1"                | 1-7/16" | 2-11/16" | 6'                  |
| 1070125EG   | 1-1/4"            | 1-5/8"  | 3-1/16"  | 6-1/2'              |
| 1070150EG   | 1-1/2"            | 1-3/4"  | 3-5/16"  | 7'                  |
| 1070200EG   | 2"                | 1-7/8"  | 3-11/16" | 8'                  |

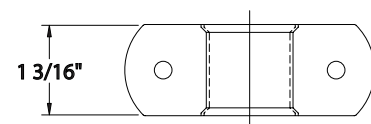
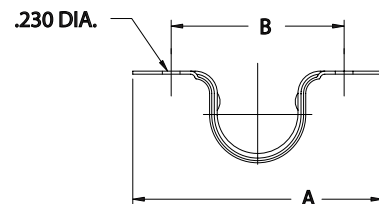


## CPVC PIPE FIXINGS 108

### Two-hole Strap for CPVC Pipe

- Size Range: 3/4" thru 2" CPVC pipe
- Surface Finish: Electro-zinc plated
- Support CPVC pipe horizontally from top, bottom or side of beam
- Retainer dimples secure hanger to pipe during installation
- Flared edges protect the CPVC piping

| Part Number | Nominal Pipe Size | A        | B        | Max. Hanger Spacing |
|-------------|-------------------|----------|----------|---------------------|
| 1080075EG   | 3/4"              | 3-1/4"   | 2-1/4"   | 5-1/2'              |
| 1080100EG   | 1"                | 3-1/2"   | 2-1/2"   | 6'                  |
| 1080125EG   | 1-1/4"            | 4-1/4"   | 3-1/4"   | 6-1/2'              |
| 1080150EG   | 1-1/2"            | 4-7/16"  | 3-7/16"  | 7'                  |
| 1080200EG   | 2"                | 4-15/16" | 3-15/16" | 8'                  |



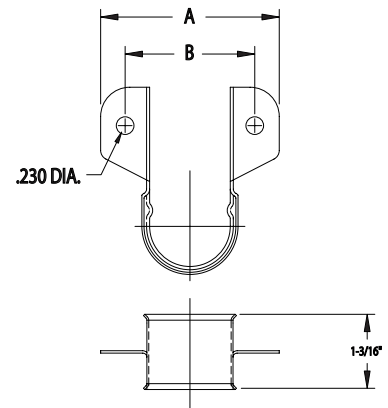
## CPVC PIPE FIXINGS 109

### Side Mount Strap for CPVC Pipe

- Size Range: 3/4" thru 2" CPVC pipe
- Surface Finish: Electro-zinc plated
- Support CPVC pipe horizontally from top or bottom of beam
- Retainer dimples secure hanger to pipe during installation
- Flared edges protect the CPVC piping



| Part Number | Nominal Pipe Size | A        | B        | Max. Hanger Spacing |
|-------------|-------------------|----------|----------|---------------------|
| 1090075EG   | 3/4"              | 2-5/16"  | 1-11/16" | 5-1/2'              |
| 1090100EG   | 1"                | 2-5/8"   | 1-15/16" | 6'                  |
| 1090125EG   | 1-1/4"            | 2-15/16" | 2-5/16"  | 6-1/2'              |
| 1090150EG   | 1-1/2"            | 3-3/16"  | 2-1/2"   | 7'                  |
| 1090200EG   | 2"                | 3-5/8"   | 3"       | 8'                  |



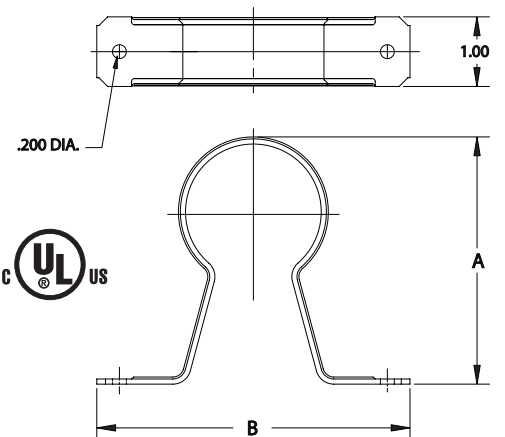
## CPVC PIPE FIXING SO

### Stand-off Two-hole Strap for CPVC Pipe

- Size Range: 3/4" thru 2" CPVC pipe
- Surface Finish: Electro-zinc plated
- Support CPVC pipe off of the vertical face of structural or composite wood joists with a minimum of 3/8" web thickness
- Flared edges protect the CPVC piping



| Part Number | Nominal Pipe Size | A        | B      | Max. Hanger Spacing |
|-------------|-------------------|----------|--------|---------------------|
| SO12A       | 3/4"              | 2-11/16" | 3-1/4" | 5-1/2'              |
| SO16A       | 1"                | 2-15/16" | 3-1/4" | 6'                  |
| SO20A       | 1-1/4"            | 3-5/16"  | 3-1/4" | 6-1/2'              |
| SO24A       | 1-1/2"            | 3-9/16"  | 4-1/2" | 7'                  |
| SO32A       | 2"                | 4-1/16"  | 5"     | 8'                  |



**CADDY®**

# IT'S SIMPLE MATH.

**CADDY® Pipe Supports = Job-Site Efficiency.**

**CADDY® Pipe Hangers and Mechanical Supports:**

- + Offer one-stop shopping. CADDY® has a broad line of products for job-site efficiency in HVAC/R, plumbing and fire-protection applications
- + Deliver time savings through innovative designs which reduce installation time
- + Offer creative alternatives to traditional suspension methods – such as the CADDY® SPEED LINK universal support system



1-800-333-0852  
www.erico.com

**ERICO®**





Page 91

**280**



Page 92

**300**



Page 93

**310**



Page 94

**255**



Page 95

**255L**



Page 96

**BC26**



Page 97

**200**



Page 98

**200RS**



Page 99

**547/548**



Page 100

**PH**



Page 101

**PHSW**



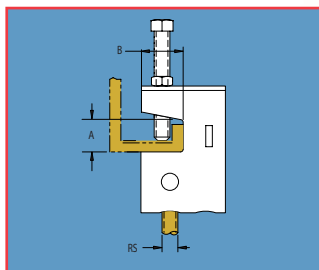
Page 102

**BC13**



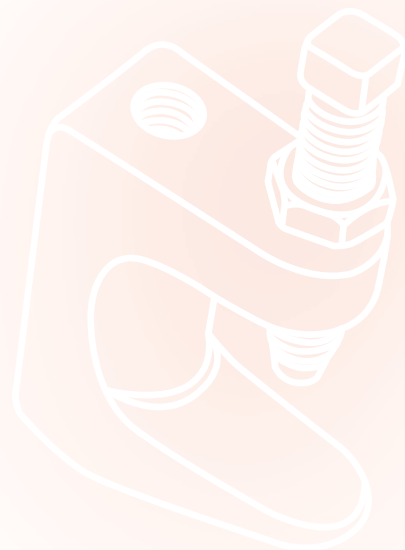
Page 103

**BC14**



Page 104

**BC10**





Page 105

**BC15**



Page 105

**BC09**



Page 106

**315**



Page 107

**PAR**



Page 107

**ET**



Page 108

**RA**



Page 109

**300C**



Page 110

**35RS**



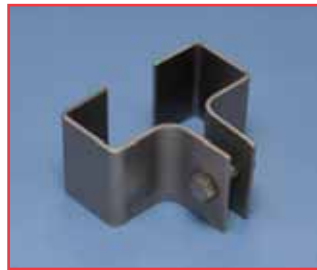
Page 110

**34SL**



Page 111

**255C**



Page 111

**356**



Page 112

**360**



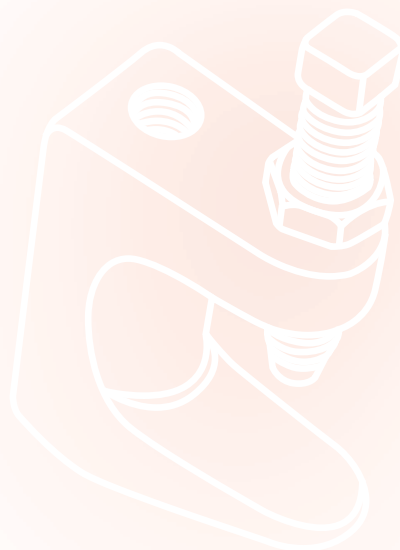
Page 113

**361**



Page 114

**363**



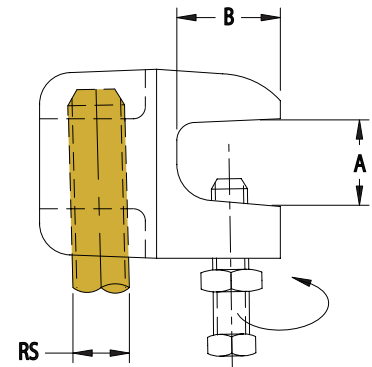
## BEAM CLAMP 280

### Universal Malleable Iron Beam Clamp

- Size Range: 3/8", 1/2", 5/8" and 3/4" rod sizes
- Surface Finish: Black, Electro-zinc plated
- Structural attachment to top or bottom of metal beams, purlins, channel, or angle iron
- Setscrew made of hardened steel
- For retainer straps see Models 300C and 035RS
- Available with a HD finish by special order
- Conforms with Federal Specification WW-H-171 (Type 23), Manufacturers Standardization Society ANSI/MSS-SP-58 (Type 19 & 23), install in accordance with ANSI/MSS-SP-69
- Setscrew must be tightened and torqued onto the sloped side of the I-beam



| Part Number                | RS   | A    | B    | Set Screw | Max. Rec. Load (lbs) |
|----------------------------|------|------|------|-----------|----------------------|
| Plain Finish               |      |      |      |           |                      |
| 2800037PL                  | 3/8" | 3/4" | 7/8" | 3/8       | 500                  |
| 2800050PL                  | 1/2" | 3/4" | 7/8" | 3/8       | 950                  |
| 2800062PL                  | 5/8" | 3/4" | 7/8" | 1/2       | 950                  |
| 2800075PL                  | 3/4" | 3/4" | 1"   | 1/2       | 950                  |
| Electro-zinc Plated Finish |      |      |      |           |                      |
| 2800037EG                  | 3/8" | 3/4" | 7/8" | 3/8       | 500                  |
| 2800050EG                  | 1/2" | 3/4" | 7/8" | 3/8       | 950                  |
| 2800062EG                  | 5/8" | 3/4" | 7/8" | 1/2       | 950                  |
| 2800075EG                  | 3/4" | 3/4" | 1"   | 1/2       | 950                  |



Recommended Torque\*\* (for setscrews):

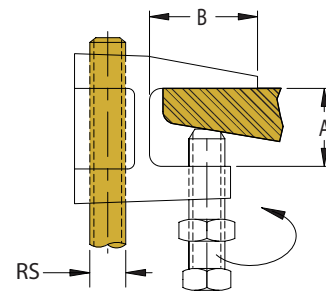
| Setscrew Size | 1/4-20 | 3/8-16 | 1/2-13 | 5/8-11 | 3/4-10 |
|---------------|--------|--------|--------|--------|--------|
| Foot-lbs      | 4      | 5      | 11     | 21     | 34     |
| Nm            | (5)    | (7)    | (15)   | (28)   | (46)   |

\*\*Recognizing that torque wrenches are generally not used or available on many job sites, the setscrew should be tightened so it contacts the I-beam and then an additional 1/4 to 1/2 turn added.

## BEAM CLAMP 300

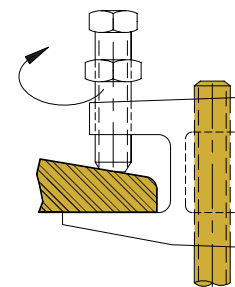
### Universal Ductile Iron Beam Clamp

- Size Range: 3/8", 1/2", 5/8", 3/4" and 7/8" rod sizes
- Surface Finish: Black, Electro-zinc plated
- Structural attachment to top or bottom of metal beams, purlins, channel, or angle iron
- Setscrew made of hardened steel
- For retainer straps see Models 300C and 035RS
- Available with a HD finish by special order
- Conforms with Federal Specification WW-H-171 (Type 23), Manufacturers Standardization Society ANSI/MSS-SP-58 (Type 19 & 23), install in accordance with ANSI/MSS-SP-69
- Setscrew must be tightened and torqued onto the sloped side of the I-beam



TOP

May be mounted in either position



BOTTOM

| Part Number                | RS  | A    | B      | Set Screw | Max. Rec. Load (lbs) |        |
|----------------------------|-----|------|--------|-----------|----------------------|--------|
|                            |     |      |        |           | Top                  | Bottom |
| Plain Finish               |     |      |        |           |                      |        |
| 3000037PL*                 | 3/8 | 3/4" | 1-1/8" | 3/8"      | 500                  | 250    |
| 3000050PL*                 | 1/2 | 3/4" | 1-1/8" | 7/16"     | 950                  | 760    |
| 3000062PL                  | 5/8 | 3/4" | 1-1/8" | 3/8"      | 950                  | 760    |
| 3000075PL                  | 3/4 | 3/4" | 1-1/8" | 3/8"      | 950                  | 760    |
| 3000087PL                  | 7/8 | 3/4" | 1-1/8" | 3/8"      | 950                  | 760    |
| Electro-zinc Plated Finish |     |      |        |           |                      |        |
| 3000037EG*                 | 3/8 | 3/4" | 1-1/8" | 3/8"      | 500                  | 250    |
| 3000050EG*                 | 1/2 | 3/4" | 1-1/8" | 7/16"     | 950                  | 760    |
| 3000062EG                  | 5/8 | 3/4" | 1-1/8" | 3/8"      | 950                  | 760    |
| 3000075EG                  | 3/4 | 3/4" | 1-1/8" | 3/8"      | 950                  | 760    |
| 3000087EG                  | 7/8 | 3/4" | 1-1/8" | 3/8"      | 950                  | 760    |

\*These sizes are FM approved

Recommended Torque\*\* (for setscrews):

| Setscrew Size | 1/4-20 | 3/8-16 | 7/16-14 | 1/2-13 | 5/8-11 | 3/4-10 |
|---------------|--------|--------|---------|--------|--------|--------|
| Foot-lbs      | 4      | 5      | 8       | 11     | 21     | 34     |
| Nm            | (5)    | (7)    | (11)    | (15)   | (28)   | (46)   |

\*\*Recognizing that torque wrenches are generally not used or available on many job sites, the setscrew should be tightened so it contacts the I-beam and then an additional 1/4 to 1/2 turn added.



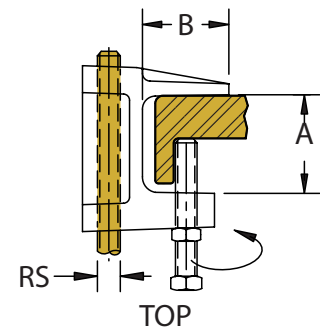
## BEAM CLAMP 310

### Universal Ductile Iron Large Opening Beam Clamp

- Size Range: 3/8" and 1/2" rod sizes
- Surface Finish: Black, Electro-zinc plated
- Structural attachment to top or bottom of metal beams, purlins, channel, or angle iron
- Setscrew made of hardened steel
- For retainer straps see Models 300C and 035RS
- Available with a HD finish by special order
- Conforms with Federal Specification WW-H-171 (Type 23), Manufacturers Standardization Society ANSI/MSS-SP-58 (Type 19 & 23), install in accordance with ANSI/MSS-SP-69
- Setscrew must be tightened and torqued onto the sloped side of the I-beam



| Part Number                | RS  | A      | B  | Set Screw | Max. Rec. Load (lbs) |        |
|----------------------------|-----|--------|----|-----------|----------------------|--------|
|                            |     |        |    |           | Top                  | Bottom |
| Plain Finish               |     |        |    |           |                      |        |
| 3100037PL                  | 3/8 | 1-1/4" | 1" | 3/8"      | 500                  | 250    |
| 3100050PL                  | 1/2 | 1-1/4" | 1" | 1/2"      | 950                  | 760    |
| Electro-zinc Plated Finish |     |        |    |           |                      |        |
| 3100037EG                  | 3/8 | 1-1/4" | 1" | 3/8"      | 500                  | 250    |
| 3100050EG                  | 1/2 | 1-1/4" | 1" | 1/2"      | 950                  | 760    |

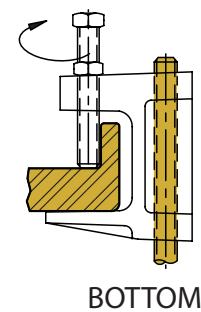


May be mounted in either position

Recommended Torque\*\* (for setscrews):

| Setscrew Size | 1/4-20 | 3/8-16 | 1/2-13 | 5/8-11 | 3/4-10 |
|---------------|--------|--------|--------|--------|--------|
| Foot-lbs      | 4      | 5      | 11     | 21     | 34     |
| Nm            | (5)    | (7)    | (15)   | (28)   | (46)   |

\*\*Recognizing that torque wrenches are generally not used or available on many job sites, the setscrew should be tightened so it contacts the I-beam and then an additional 1/4 to 1/2 turn added.



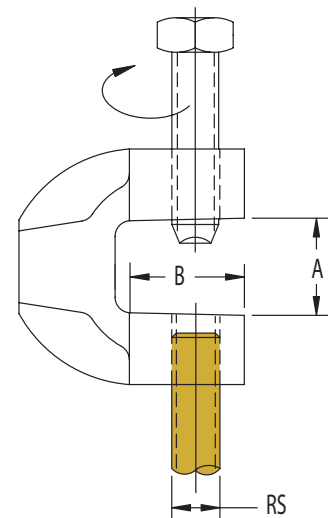
## BEAM CLAMP 255

### Malleable Iron Beam Clamp, Non-adjustable

- Size Range: 3/8", 1/2" and 5/8" rod sizes
- Surface Finish: Black, Electro-zinc plated
- Structural attachment to top or bottom of metal beams, purlins, channel, or angle iron
- Setscrew made of hardened steel
- For retainer straps see Models 255C
- Conforms with Federal Specification WW-H-171 (Type 23), Manufacturers Standardization Society ANSI/MSS-SP-58 (Type 23), install in accordance with ANSI/MSS-SP-69
- Setscrew must be tightened and torqued onto the sloped side of the I-beam



| Part Number                | RS  | A    | B       | Set Screw | Max. Pipe Size | Max. Rec. Load (lbs) |
|----------------------------|-----|------|---------|-----------|----------------|----------------------|
| Plain Finish               |     |      |         |           |                |                      |
| 2550037PL                  | 3/8 | 3/4" | 7/8"    | 3/8"      | 2"             | 400                  |
| 2550050PL                  | 1/2 | 3/4" | 7/8"    | 3/8"      | 3-1/2"         | 400                  |
| 2550062PL                  | 5/8 | 3/4" | 1-1/16" | 3/8"      | 5"             | 400                  |
| Electro-zinc Plated Finish |     |      |         |           |                |                      |
| 2550037EG                  | 3/8 | 3/4" | 7/8"    | 3/8"      | 2"             | 400                  |
| 2550050EG                  | 1/2 | 3/4" | 7/8"    | 3/8"      | 3-1/2"         | 400                  |
| 2550062EG                  | 5/8 | 3/4" | 1-1/16" | 3/8"      | 5"             | 400                  |



Recommended Torque\*\* (for setscrews):

| Setscrew Size | 1/4-20 | 3/8-16 | 1/2-13 | 5/8-11 | 3/4-10 |
|---------------|--------|--------|--------|--------|--------|
| Foot-lbs      | 4      | 5      | 11     | 21     | 34     |
| Nm            | (5)    | (7)    | (15)   | (28)   | (46)   |

\*\*Recognizing that torque wrenches are generally not used or available on many job sites, the setscrew should be tightened so it contacts the I-beam and then an additional 1/4 to 1/2 turn added.



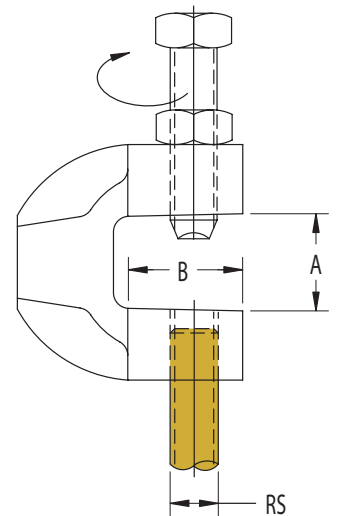
## BEAM CLAMP 255L

### Malleable Iron Beam Clamp with Locknut, Non-adjustable

- Size Range: 3/8", 1/2" and 5/8" rod sizes
- Surface Finish: Black, Electro-zinc plated
- Structural attachment to top or bottom of metal beams, purlins, channel, or angle iron
- Setscrew made of hardened steel
- For retainer straps see Models 255C
- Conforms with Federal Specification WW-H-171 (Type 23), Manufacturers Standardization Society ANSI/MSS-SP-58 (Type 23), install in accordance with ANSI/MSS-SP-69
- Setscrew must be tightened and torqued onto the sloped side of the I-beam



| Part Number                | RS  | A    | B       | Set Screw | Max. Pipe Size | Max. Rec. Load (lbs) |
|----------------------------|-----|------|---------|-----------|----------------|----------------------|
| Plain Finish               |     |      |         |           |                |                      |
| 255L0037PL                 | 3/8 | 3/4" | 7/8"    | 3/8       | 2"             | 400                  |
| 255L0050PL                 | 1/2 | 3/4" | 7/8"    | 3/8       | 3-1/2"         | 400                  |
| 255L0062PL                 | 5/8 | 3/4" | 1-1/16" | 3/8       | 5"             | 400                  |
| Electro-zinc Plated Finish |     |      |         |           |                |                      |
| 255L0037EG                 | 3/8 | 3/4" | 7/8"    | 3/8       | 2"             | 400                  |
| 255L0050EG                 | 1/2 | 3/4" | 7/8"    | 3/8       | 3-1/2"         | 400                  |
| 255L0062EG                 | 5/8 | 3/4" | 1-1/16" | 3/8       | 5"             | 400                  |



Recommended Torque\*\* (for setscrews):

| Setscrew Size | 1/4-20 | 3/8-16 | 1/2-13 | 5/8-11 | 3/4-10 |
|---------------|--------|--------|--------|--------|--------|
| Foot-lbs      | 4      | 5      | 11     | 21     | 34     |
| Nm            | (5)    | (7)    | (15)   | (28)   | (46)   |

\*\*Recognizing that torque wrenches are generally not used or available on many job sites, the setscrew should be tightened so it contacts the I-beam and then an additional 1/4 to 1/2 turn added.

## BEAM CLAMP BC26

### Universal Malleable Iron Beam Clamp

- Size Range: 1/4" rod size
- Surface Finish: Electro-zinc plated
- Structural attachment to top or bottom of metal beams, purlins, channel, or angle iron
- Setscrew made of hardened steel
- Includes a 1/4" threaded opening in the back side of body
- Setscrew must be tightened and torqued onto the sloped side of the I-beam

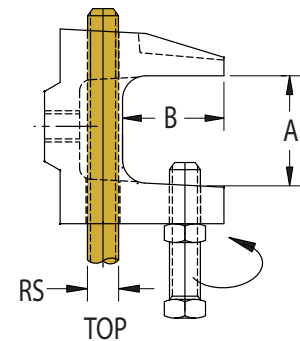


| Part Number                | RS  | A      | B      | Set Screw | Max. Rec. Load (lbs) |        |
|----------------------------|-----|--------|--------|-----------|----------------------|--------|
| Electro-zinc Plated Finish |     |        |        |           | Top                  | Bottom |
| BC260025EG                 | 1/4 | 15/16" | 13/16" | 1/4       | 250                  | 100    |

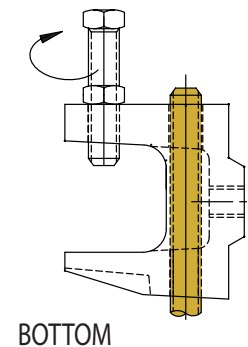
Recommended Torque\*\* (for setscrews):

| Setscrew Size | 1/4-20 | 3/8-16 | 1/2-13 | 5/8-11 | 3/4-10 |
|---------------|--------|--------|--------|--------|--------|
| Foot-lbs      | 4      | 5      | 11     | 21     | 34     |
| Nm            | (5)    | (7)    | (15)   | (28)   | (46)   |

\*\*Recognizing that torque wrenches are generally not used or available on many job sites, the setscrew should be tightened so it contacts the I-beam and then an additional 1/4 to 1/2 turn added.



May be mounted in either position



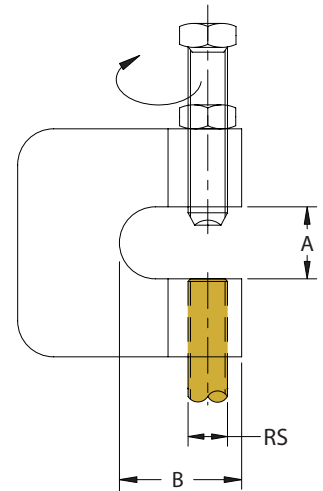
## BEAM CLAMP 200

### Steel C-clamp, Non-adjustable

- Size Range: 3/8" and 1/2" rod sizes
- Surface Finish: Black, Electro-zinc plated
- Structural attachment to top or bottom of metal beams, purlins, channel, or angle iron
- Setscrew made of hardened steel
- For retainer straps see Models 255 and 255C
- Conforms with Federal Specification WW-H-171 (Type 23), Manufacturers Standardization Society ANSI/MSS-SP-58 (Type 23), install in accordance with ANSI/MSS-SP-69
- Setscrew must be tightened and torqued onto the sloped side of the I-beam



| Part Number                | RS  | A    | B       | Set Screw | Max. Pipe Size | Max. Rec. Load (lbs) |
|----------------------------|-----|------|---------|-----------|----------------|----------------------|
| Plain Finish               |     |      |         |           |                |                      |
| 2000037PL                  | 3/8 | 3/4" | 1-1/8"  | 3/8       | 3-1/2"         | 250                  |
| 2000050PL                  | 1/2 | 3/4" | 1-5/16" | 1/2       | 8"             | 360                  |
| Electro-zinc Plated Finish |     |      |         |           |                |                      |
| 2000037EG                  | 3/8 | 3/4" | 1-1/8"  | 3/8       | 3-1/2"         | 250                  |
| 2000050EG                  | 1/2 | 3/4" | 1-5/16" | 1/2       | 8"             | 360                  |



Recommended Torque\*\* (for setscrews):

| Setscrew Size | 1/4-20 | 3/8-16 | 1/2-13 | 5/8-11 | 3/4-10 |
|---------------|--------|--------|--------|--------|--------|
| Foot-lbs      | 4      | 5      | 11     | 21     | 34     |
| Nm            | (5)    | (7)    | (15)   | (28)   | (46)   |

\*\*Recognizing that torque wrenches are generally not used or available on many job sites, the setscrew should be tightened so it contacts the I-beam and then an additional 1/4 to 1/2 turn added.

## BEAM CLAMP 200RS

### Steel Dual Purpose Strut/Beam C-clamp, Non-adjustable

- Size Range: 3/8" and 1/2" rod sizes
- Surface Finish: Pre-galvanized Steel
- Structural attachment to metal beams and flanges to support strut and/or rod
- Setscrew made of hardened steel
- Setscrew must be tightened and torqued onto the sloped side of the I-beam



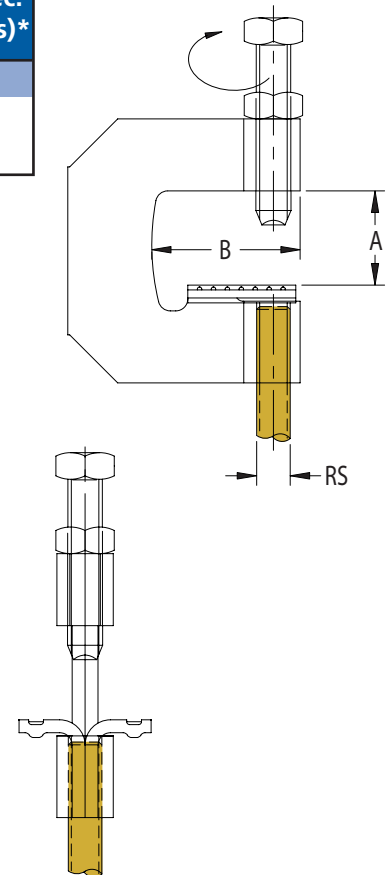
| Part Number                 | RS  | A    | B      | Set Screw | Max. Pipe Size | Max. Rec. Load (lbs)* |
|-----------------------------|-----|------|--------|-----------|----------------|-----------------------|
| Pre-galvanized Steel Finish |     |      |        |           |                |                       |
| 200RS375                    | 3/8 | 5/8" | 1-1/2" | 3/8       | 3-1/2"         | 250                   |
| 200RS500                    | 1/2 | 5/8" | 1-1/2" | 1/2       | 8"             | 360                   |

**\*NOTE:** Load rating is per fastener with a 3X safety factor. Actual installation must be evaluated to determine load on the individual fastener.

Recommended Torque\*\* (for setscrews):

| Setscrew Size | 1/4-20 | 3/8-16 | 1/2-13 | 5/8-11 | 3/4-10 |
|---------------|--------|--------|--------|--------|--------|
| Foot-lbs      | 4      | 5      | 11     | 21     | 34     |
| Nm            | (5)    | (7)    | (15)   | (28)   | (46)   |

\*\*Recognizing that torque wrenches are generally not used or available on many job sites, the setscrew should be tightened so it contacts the I-beam and then an additional 1/4 to 1/2 turn added.



## BEAM CLAMP 547/548

### Steel C-clamp, Non-adjustable

- Size Range: 3/8" and 1/2" rod sizes
- Surface Finish: Black
- Designed for use with large-lip rolled steel purlins to eliminate the need to modify purlins for the standard C-clamp
- Setscrew made of hardened steel
- Setscrew must be tightened and torqued onto the sloped side of the I-beam



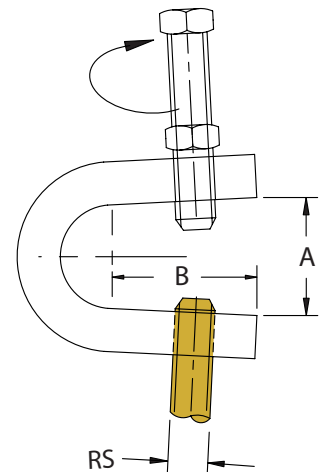
**NOTE:** Designed for "Z" Purlins.

| Part Number  | Model Number | RS  | A      | B       | Set Screw | Max. Rec. Load (lbs) |
|--------------|--------------|-----|--------|---------|-----------|----------------------|
| Plain Finish |              |     |        |         |           |                      |
| 5470037PL    | 547          | 3/8 | 1"     | 1-5/16" | 3/8       | 250                  |
| 5480050PL    | 548          | 1/2 | 1-1/8" | 1-1/4"  | 1/2       | 250                  |

Recommended Torque\*\* (for setscrews):

| Setscrew Size | 1/4-20 | 3/8-16 | 1/2-13 | 5/8-11 | 3/4-10 |
|---------------|--------|--------|--------|--------|--------|
| Foot-lbs      | 4      | 5      | 11     | 21     | 34     |
| Nm            | (5)    | (7)    | (15)   | (28)   | (46)   |

\*\*Recognizing that torque wrenches are generally not used or available on many job sites, the setscrew should be tightened so it contacts the I-beam and then an additional 1/4 to 1/2 turn added.



## PURLIN HANGER PH

### Steel Purlin Clamp EG

- Size Range: 1/4" and 3/8" rod sizes
- Surface Finish: Electro-zinc plated
- Structural attachment to bottom of purlins and beams to support threaded rod
- Setscrew made of hardened steel
- Installation screw torque: 30-inch pounds
- UL Listed\* for fire protection applications (max. 3" Sch40 steel pipe)



\*507P

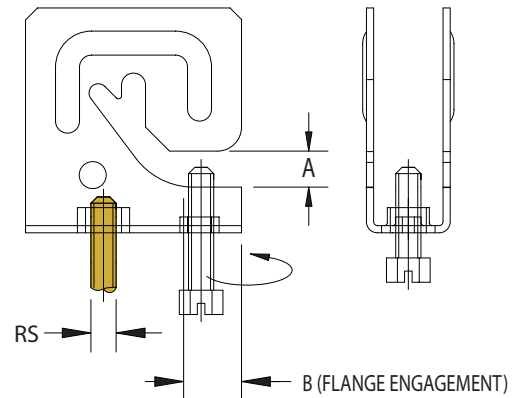


\*\*8N13

**NOTE:** Maximum flange thickness: 1/4"  
Maximum recommended load: C & Z purlins: 200 lbs.,  
flat flange: 160 lbs.

| Part Number                | RS  | A    | B (Min.) | Max. Rec. Load (lbs) |
|----------------------------|-----|------|----------|----------------------|
| Electro-zinc Plated Finish |     |      |          |                      |
| PH4**                      | 1/4 | 3/8" | 3/4"     | See Note             |
| PH6**                      | 3/8 | 3/8" | 3/4"     | See Note             |
| PH6FP*                     | 3/8 | 3/8" | 3/4"     | 200                  |

\* Includes jam nut for fire protection applications, UL Listed for fire protection pipe (up to 3" Sch. 40 steel pipe) on purlin  
\*\*UL Listed as conduit and cable support, jam nut not included



Recommended Torque<sup>†</sup> (for setscrews):

| Setscrew Size | 1/4-20 | 3/8-16 | 1/2-13 | 5/8-11 | 3/4-10 |
|---------------|--------|--------|--------|--------|--------|
| Foot-lbs      | 4      | 5      | 11     | 21     | 34     |
| Nm            | (5)    | (7)    | (15)   | (28)   | (46)   |

<sup>†</sup>Recognizing that torque wrenches are generally not used or available on many job sites, the setscrew should be tightened so it contacts the I-beam and then an additional 1/4 to 1/2 turn added.



## PURLIN CLAMP PHSW

### Steel Purlin Clamp with Swivel EG

- Size Range: 1/4" and 3/8" rod sizes
- Surface Finish: Electro-zinc plated
- Structural attachment to bottom of purlins and beams to support threaded rod
- Swivel feature option for attachment to purlins under sloped roofs
- Setscrew made of hardened steel
- Installation screw torque: 30-inch pounds
- UL Listed\* for fire protection applications (max. 3" Sch40 steel pipe)



\*507P

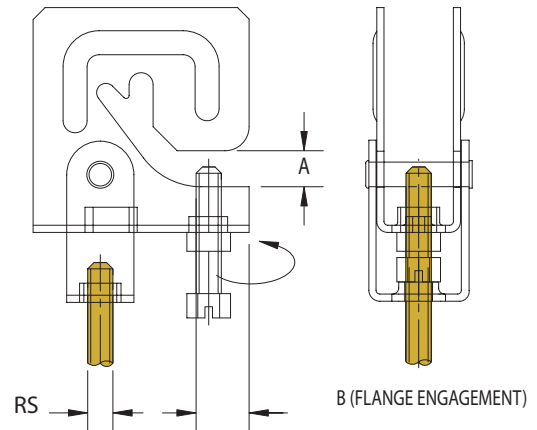


\*\*8N13

**NOTE:** Maximum flange thickness: 1/4"  
 Maximum recommended load: C & Z purlins: 200 lbs.,  
 flat flange: 160 lbs.

| Part Number                | RS  | A    | B (Min.) | Max. Rec. Load (lbs) |
|----------------------------|-----|------|----------|----------------------|
| Electro-zinc Plated Finish |     |      |          |                      |
| PHSW4**                    | 1/4 | 3/8" | 3/4"     | See Note             |
| PHSW6**                    | 3/8 | 3/8" | 3/4"     | See Note             |
| PHSW6FP*                   | 3/8 | 3/8" | 3/4"     | 200                  |

\* Includes jam nut for fire protection applications, UL Listed for fire protection pipe (up to 3" Sch. 40 steel pipe) on purlin  
 \*\*UL Listed as conduit and cable support, jam nut not included



Recommended Torque<sup>†</sup> (for setscrews):

| Setscrew Size | 1/4-20 | 3/8-16 | 1/2-13 | 5/8-11 | 3/4-10 |
|---------------|--------|--------|--------|--------|--------|
| Foot-lbs      | 4      | 5      | 11     | 21     | 34     |
| Nm            | (5)    | (7)    | (15)   | (28)   | (46)   |

<sup>†</sup>Recognizing that torque wrenches are generally not used or available on many job sites, the setscrew should be tightened so it contacts the I-beam and then an additional 1/4 to 1/2 turn added.

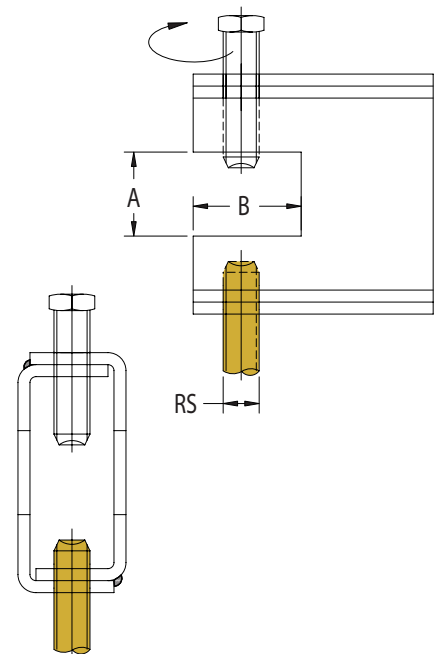
## BEAM CLAMP BC13

### Steel Beam Clamp, Non-adjustable

- Size Range: 1/4", 5/16", 3/8", 1/2", 5/8", and 3/4" rod sizes
- Surface Finish: Electro-zinc plated
- Structural attachment to beams to support threaded rod
- Setscrew made of hardened steel
- Setscrew must be tightened and torqued onto the sloped side of the I-beam



| Part Number                | RS   | A    | B      | Set Screw | Max. Rec. Load (lbs) |
|----------------------------|------|------|--------|-----------|----------------------|
| Electro-zinc Plated Finish |      |      |        |           |                      |
| BC130025EG                 | 1/4  | 7/8" | 1-1/8" | 3/8       | 650                  |
| BC130031EG                 | 5/16 | 7/8" | 1-1/8" | 3/8       | 650                  |
| BC130037EG                 | 3/8  | 7/8" | 1-1/8" | 3/8       | 650                  |
| BC130050EG                 | 1/2  | 7/8" | 1-1/8" | 1/2       | 1100                 |
| BC130062EG                 | 5/8  | 7/8" | 1-1/8" | 1/2       | 1600                 |
| BC130075EG                 | 3/4  | 7/8" | 1-1/8" | 5/8       | 2400                 |



Recommended Torque\* (for setscrews):

| Setscrew Size | 1/4-20 | 3/8-16 | 1/2-13 | 5/8-11 | 3/4-10 |
|---------------|--------|--------|--------|--------|--------|
| Foot-lbs      | 4      | 5      | 11     | 21     | 34     |
| Nm            | (5)    | (7)    | (15)   | (28)   | (46)   |

\*Recognizing that torque wrenches are generally not used or available on many job sites, the setscrew should be tightened so it contacts the I-beam and then an additional 1/4 to 1/2 turn added.



## BEAM CLAMP BC14

### Steel Beam Clamp, Non-adjustable

- Size Range: 1/4", 3/8", 1/2" and 5/8" rod sizes
- Surface Finish: Electro-zinc plated
- Structural attachment to beams to support threaded rod
- Setscrew made of hardened steel
- Setscrew must be tightened and torqued onto the sloped side of the I-beam

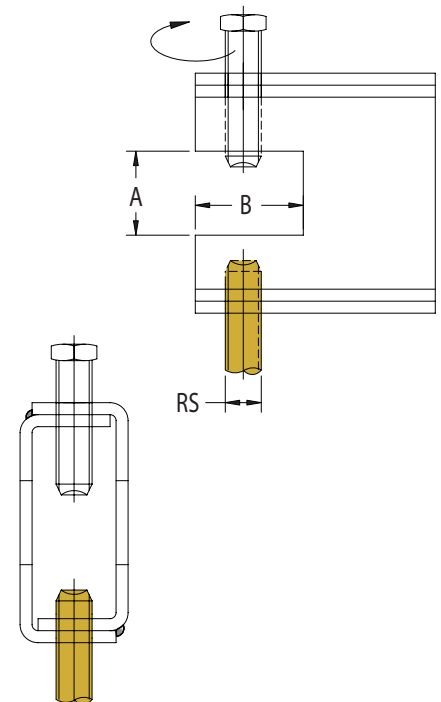


| Part Number                | RS  | A        | B      | Set Screw | Max. Rec. Load (lbs) |
|----------------------------|-----|----------|--------|-----------|----------------------|
| Electro-zinc Plated Finish |     |          |        |           |                      |
| BC140025EG                 | 1/4 | 1-21/32" | 1-5/8" | 3/8       | 800                  |
| BC140037EG                 | 3/8 | 1-21/32" | 1-5/8" | 3/8       | 800                  |
| BC140050EG                 | 1/2 | 1-21/32" | 1-5/8" | 1/2       | 1300                 |
| BC140062EG                 | 5/8 | 1-21/32" | 1-5/8" | 1/2       | 1900                 |

Recommended Torque\* (for setscrews):

| Setscrew Size | 1/4-20 | 3/8-16 | 1/2-13 | 5/8-11 | 3/4-10 |
|---------------|--------|--------|--------|--------|--------|
| Foot-lbs      | 4      | 5      | 11     | 21     | 34     |
| Nm            | (5)    | (7)    | (15)   | (28)   | (46)   |

\*Recognizing that torque wrenches are generally not used or available on many job sites, the setscrew should be tightened so it contacts the I-beam and then an additional 1/4 to 1/2 turn added.



## BEAM CLAMP BC10

### Steel Beam Clamp, Adjustable

- Size Range: 1/4", 5/16", 3/8" and 1/2" rod sizes
- Surface Finish: Electro-zinc plated
- Structural attachment to beams to support threaded rod
- Setscrew made of hardened steel
- Setscrew must be tightened and torqued onto the sloped side of the I-beam

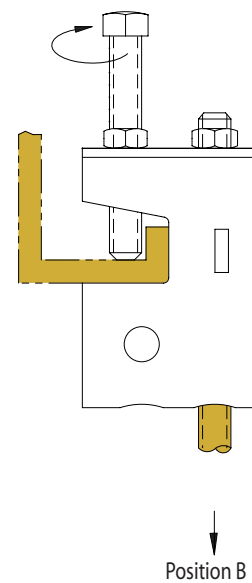
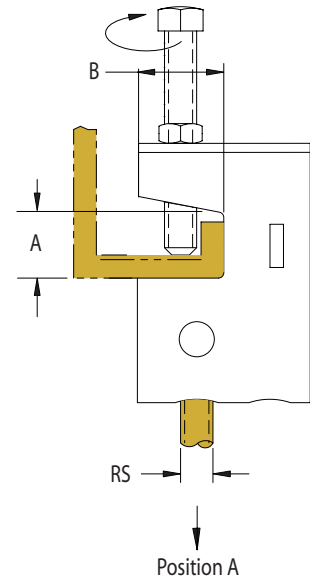
| Part Number                | RS                     | A    | B  | Set Screw | Max. Rec. Load (lbs) |
|----------------------------|------------------------|------|----|-----------|----------------------|
| Electro-zinc Plated Finish |                        |      |    |           |                      |
| BC100000EG                 | 1/4, 5/16, 3/8, or 1/2 | 3/4" | 1" | 3/8       | See Note*            |

\*Maximum recommended load: Position A – 500 lbs  
Position B – 300 lbs

Recommended Torque\*\* (for setscrews):

| Setscrew Size | 1/4-20 | 3/8-16 | 1/2-13 | 5/8-11 | 3/4-10 |
|---------------|--------|--------|--------|--------|--------|
| Foot-lbs      | 4      | 5      | 11     | 21     | 34     |
| Nm            | (5)    | (7)    | (15)   | (28)   | (46)   |

\*\*Recognizing that torque wrenches are generally not used or available on many job sites, the setscrew should be tightened so it contacts the I-beam and then an additional 1/4 to 1/2 turn added.



## BEAM CLAMP SWIVEL BC15

### Beam Clamp Swivel for BC10

- Size Range: 1/4", 3/8", and 1/2" rod sizes
- Surface Finish: Electro-zinc plated
- Swivel attachment for use with BC10 Beam Clamp
- Setscrew made of hardened steel
- Setscrew must be tightened and torqued onto the sloped side of the I-beam

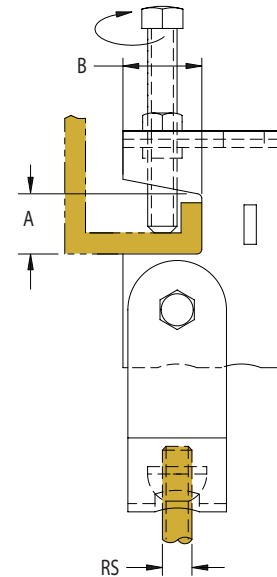


| Part Number                | RS              | A    | B  | Set Screw | Max. Rec. Load (lbs) |
|----------------------------|-----------------|------|----|-----------|----------------------|
| Electro-zinc Plated Finish |                 |      |    |           |                      |
| BC101500EG                 | 1/4, 3/8, & 1/2 | 3/4" | 1" | 3/8       | 500                  |

Recommended Torque\* (for setscrews):

| Setscrew Size | 1/4-20 | 3/8-16 | 1/2-13 | 5/8-11 | 3/4-10 |
|---------------|--------|--------|--------|--------|--------|
| Foot-lbs      | 4      | 5      | 11     | 21     | 34     |
| Nm            | (5)    | (7)    | (15)   | (28)   | (46)   |

\*Recognizing that torque wrenches are generally not used or available on many job sites, the setscrew should be tightened so it contacts the I-beam and then an additional 1/4 to 1/2 turn added.

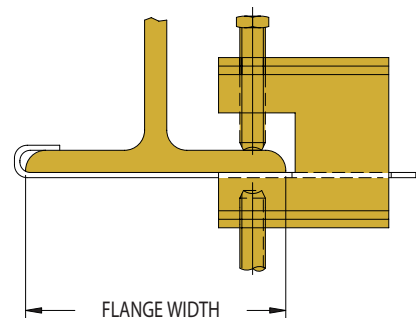
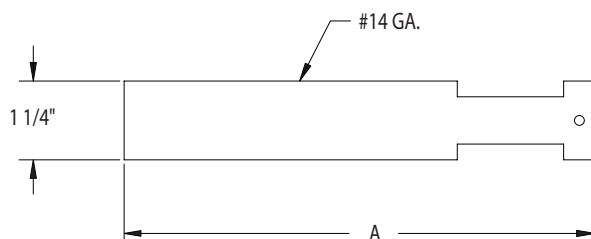


## RETAINER STRAP BC09

### Beam Clamp Retainer Strap for BC Series

- Size Range: 9", 12", and 15" lengths
- Surface Finish: Electro-zinc plated
- Retainer strap for BC13 / BC14 beam clamps

| Part Number | A   | Flange Width |
|-------------|-----|--------------|
| BC090900EG  | 9"  | 6"           |
| BC091200EG  | 12" | 9"           |
| BC091500EG  | 15" | 12"          |



## PURLIN HANGER 315

### Malleable Iron Purlin Clamp Black

- Size Range: 3/8" rod size
- Surface Finish: Black, Electro-zinc plated
- Structural attachment to lower flange of metal beams or purlins with 45° flanges up to 2" long and 90° flanges up to 1-1/2" high
- Set screw made of hardened steel
- Conforms with Federal Specification WW-H-171 (Type 23), Manufacturers Standardization Society ANSI/MSS-SP-58 (Type 23); install in accordance with ANSI/MSS-SP-69
- Setscrew must be tightened and torqued onto the sloped side of the I-beam



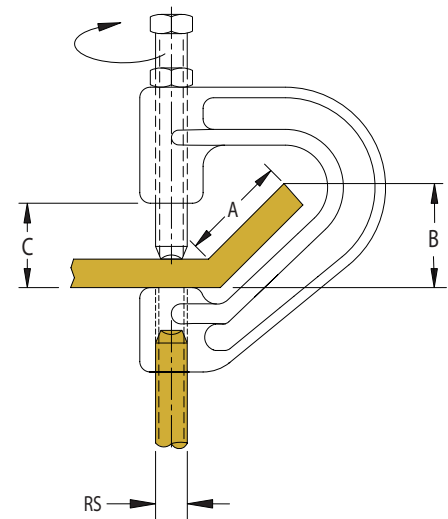
| Part Number                | RS  | A  | B      | C  | Set Screw | Max. Pipe Size | Max. Rec. Load (lbs) |
|----------------------------|-----|----|--------|----|-----------|----------------|----------------------|
| Plain Finish               |     |    |        |    |           |                |                      |
| 3150037PL                  | 3/8 | 2" | 1-1/2" | 1" | 3/8"      | 4"             | 400                  |
| Electro-zinc Plated Finish |     |    |        |    |           |                |                      |
| 3150037EG                  | 3/8 | 2" | 1-1/2" | 1" | 3/8"      | 4"             | 400                  |



Recommended Torque\*\* (for setscrews):

| Setscrew Size | 1/4-20 | 3/8-16 | 1/2-13 | 5/8-11 | 3/4-10 |
|---------------|--------|--------|--------|--------|--------|
| Foot-lbs      | 4      | 5      | 11     | 21     | 34     |
| Nm            | (5)    | (7)    | (15)   | (28)   | (46)   |

\*\*Recognizing that torque wrenches are generally not used or available on many job sites, the setscrew should be tightened so it contacts the I-beam and then an additional 1/4 to 1/2 turn added.



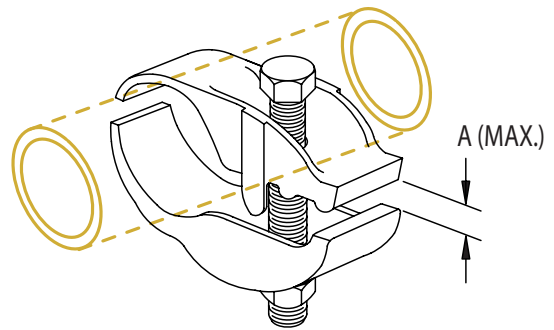
## PARALLEL PIPE CLAMP PAR

### Malleable Iron, HD

- Size Range: 3/8" – 4"
- Surface Finish: Hot-dip galvanized
- Structural attachments of pipe sizes from 3/8" - 4" to beams with up to 3/4" flange thickness



| Part Number | Nominal Pipe Size | A    |
|-------------|-------------------|------|
| PAR0037HD   | 3/8"              | 3/4" |
| PAR0050HD   | 1/2"              | 3/4" |
| PAR0075HD   | 3/4"              | 3/4" |
| PAR0100HD   | 1"                | 3/4" |
| PAR0125HD   | 1-1/4"            | 3/4" |
| PAR0150HD   | 1-1/2"            | 3/4" |
| PAR0200HD   | 2"                | 3/4" |
| PAR0250HD   | 2-1/2"            | 3/4" |
| PAR0300HD   | 3"                | 3/4" |
| PAR0350HD   | 3-1/2"            | 3/4" |
| PAR0400HD   | 4"                | 3/4" |



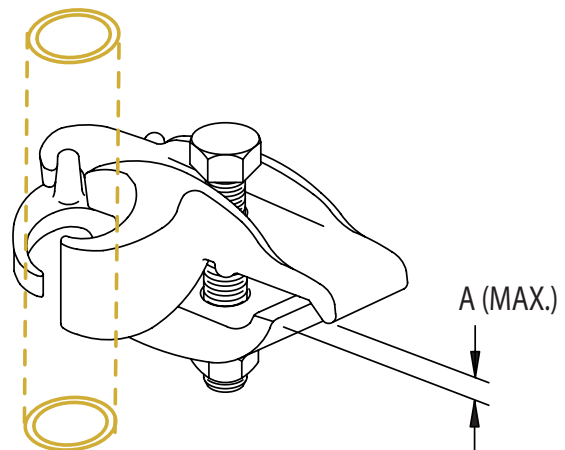
## EDGE TYPE PIPE CLAMP ET

### Malleable Iron, HD

- Size Range: 1/2" – 3"
- Surface Finish: Hot-dip galvanized
- Structural attachments of pipe sizes from 1/2" - 3" to beams with up to 3/4" flange thickness



| Part Number | Nominal Pipe Size | A    |
|-------------|-------------------|------|
| ET0050HD    | 1/2"              | 3/4" |
| ET0075HD    | 3/4"              | 3/4" |
| ET0100HD    | 1"                | 3/4" |
| ET0125HD    | 1-1/4"            | 3/4" |
| ET0150HD    | 1-1/4"            | 3/4" |
| ET0200HD    | 2"                | 3/4" |
| ET0250HD    | 2-1/2"            | 3/4" |
| ET0300HD    | 3"                | 3/4" |



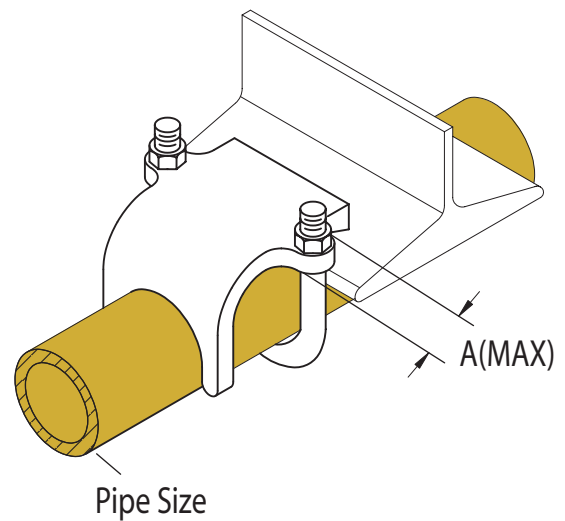
## RIGHT ANGLE PIPE SUPPORT RA

### Malleable Iron, HD

- Size Range: 3/8" – 4"
- Surface Finish: Hot-dip galvanized
- Structural attachments of pipe sizes from 3/8" - 4" to beams with up to 3/4" flange thickness



| Part Number | Nominal Pipe Size | A    | Max. Rec. Load (lbs) |
|-------------|-------------------|------|----------------------|
| RA0037HD    | 3/8"              | 3/4" | 200                  |
| RA0050HD    | 1/2"              | 3/4" | 250                  |
| RA0075HD    | 3/4"              | 3/4" | 300                  |
| RA0100HD    | 1"                | 3/4" | 400                  |
| RA0125HD    | 1-1/4"            | 3/4" | 400                  |
| RA0150HD    | 1-1/2"            | 3/4" | 500                  |
| RA0200HD    | 2"                | 3/4" | 600                  |
| RA0250HD    | 2-1/2"            | 3/4" | 700                  |
| RA0300HD    | 3"                | 3/4" | 800                  |
| RA0350HD    | 3-1/2"            | 3/4" | 900                  |
| RA0400HD    | 4"                | 3/4" | 1000                 |



## RETAINER STRAP 300C

### Beam Clamp Retainer Strap for 300 / 310 Series

- Size Range: 3/8", 1/2", 5/8", 3/4" and 7/8" rod sizes
- Surface Finish: Electro-zinc plated
- Retainer strap for Model 300 / 310 beam clamps
- Available in a HD finish by special order

**NOTE:** Field bend and use jam nut over hanger rod to secure.

**NOTE:** Add 2" to width of flange to determine minimum length strap required. Specify rod size and length.



| Part Number | RS  | A   | B       |
|-------------|-----|-----|---------|
| 300C3706EG  | 3/8 | 6"  | 15/16"  |
| 300C3708EG  | 3/8 | 8"  | 15/16"  |
| 300C3710EG  | 3/8 | 10" | 15/16"  |
| 300C3712EG  | 3/8 | 12" | 15/16"  |
| 300C3714EG  | 3/8 | 14" | 15/16"  |
| 300C3716EG  | 3/8 | 16" | 15/16"  |
| 300C3718EG  | 3/8 | 18" | 15/16"  |
| 300C5008EG  | 1/2 | 8"  | 15/16"  |
| 300C5010EG  | 1/2 | 10" | 15/16"  |
| 300C5012EG  | 1/2 | 12" | 15/16"  |
| 300C5014EG  | 1/2 | 14" | 15/16"  |
| 300C5016EG  | 1/2 | 16" | 15/16"  |
| 300C6206EG  | 5/8 | 6"  | 1-3/16" |
| 300C6208EG  | 5/8 | 8"  | 1-3/16" |
| 300C6210EG  | 5/8 | 10" | 1-3/16" |
| 300C6212EG  | 5/8 | 12" | 1-3/16" |
| 300C6214EG  | 5/8 | 14" | 1-3/16" |
| 300C7506EG  | 3/4 | 6"  | 1-3/16" |
| 300C7508EG  | 3/4 | 8"  | 1-3/16" |
| 300C7510EG  | 3/4 | 10" | 1-3/16" |
| 300C7514EG  | 3/4 | 14" | 1-3/16" |
| 300C8706EG  | 7/8 | 6"  | 2"      |
| 300C8708EG  | 7/8 | 8"  | 2"      |
| 300C8710EG  | 7/8 | 10" | 2"      |
| 300C8714EG  | 7/8 | 14" | 2"      |

## RETAINER STRAP 35RS

### Beam Clamp Retainer Strap for 300 / 310 Series

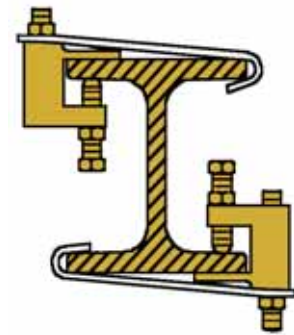
- Size Range: 3/8" or 1/2" rod sizes
- Surface Finish: Electro-zinc plated
- Retainer strap for Model 300 / 310 beam clamps
- Available in a HD finish by special order

**NOTE:** Field bend and use jam nut over hanger rod to secure.

**NOTE:** Add 2" to width of flange to determine minimum length strap required. Specify rod size and length.



| Part Number | RS         | A   | B      |
|-------------|------------|-----|--------|
| 035RS0600EG | 3/8 or 1/2 | 6"  | 15/16" |
| 035RS0800EG | 3/8 or 1/2 | 8"  | 15/16" |
| 035RS1000EG | 3/8 or 1/2 | 10" | 15/16" |
| 035RS1200EG | 3/8 or 1/2 | 12" | 15/16" |
| 035RS1400EG | 3/8 or 1/2 | 14" | 15/16" |
| 035RS1600EG | 3/8 or 1/2 | 16" | 15/16" |
| 035RS1800EG | 3/8 or 1/2 | 18" | 15/16" |
| 035RS2000EG | 3/8 or 1/2 | 20" | 15/16" |



## RETAINER STRAP 34SL

### Retrofit Beam Clamp Retainer Strap for 300 / 310 Series

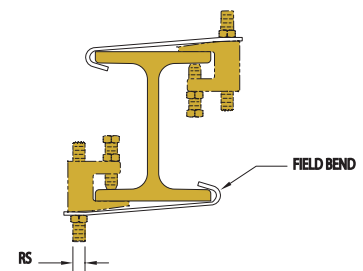
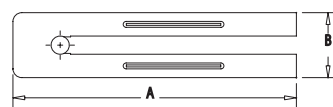
- Size Range: 3/8" rod size
- Surface Finish: Electro-zinc plated
- Retrofit retainer strap for Model 300 / 310 beam clamps

**NOTE:** Field bend and use jam nut over hanger rod to secure.

**NOTE:** Add 2" to width of flange to determine minimum length strap required. Specify rod size and length.



| Part Number | RS  | A   | B      |
|-------------|-----|-----|--------|
| 034SL0600EG | 3/8 | 6"  | 1-3/8" |
| 034SL0800EG | 3/8 | 8"  | 1-3/8" |
| 034SL1000EG | 3/8 | 10" | 1-3/8" |
| 034SL1200EG | 3/8 | 12" | 1-3/8" |
| 034SL1400EG | 3/8 | 14" | 1-3/8" |



## RETAINER STRAP 255C

### Beam Clamp Retainer Strap for 255 Series

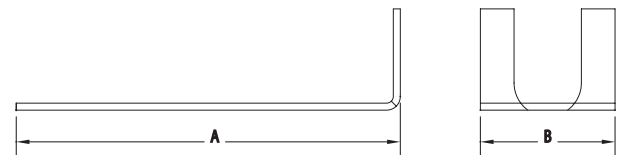
- Size Range: 3/8", 1/2", and 5/8" rod sizes
- Surface Finish: Electro-zinc plated
- Utilized when a retainer strap is specified with Model #255 or #255L beam clamps

**NOTE:** Field bend and use jam nut over hanger rod to secure.

**NOTE:** Add 2" to width of flange to determine minimum length strap required. Specify rod size and length.



| Part Number | RS  | A   | B      |
|-------------|-----|-----|--------|
| 255C3706EG  | 3/8 | 6"  | 1-1/4" |
| 255C3708EG  | 3/8 | 8"  | 1-1/4" |
| 255C3710EG  | 3/8 | 10" | 1-1/4" |
| 255C3714EG  | 3/8 | 14" | 1-1/4" |
| 255C5006EG  | 1/2 | 6"  | 1-1/4" |
| 255C5008EG  | 1/2 | 8"  | 1-1/4" |
| 255C6210EG  | 5/8 | 10" | 1-1/4" |
| 255C6214EG  | 5/8 | 14" | 1-1/4" |

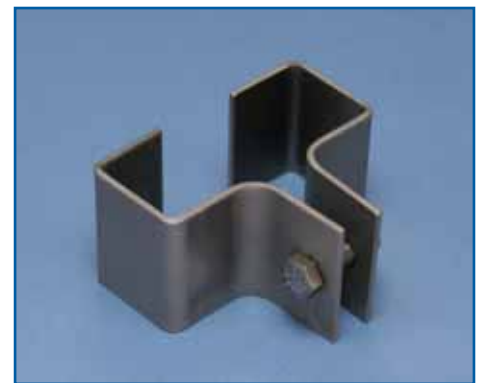


## WOOD BEAM CLAMP 356

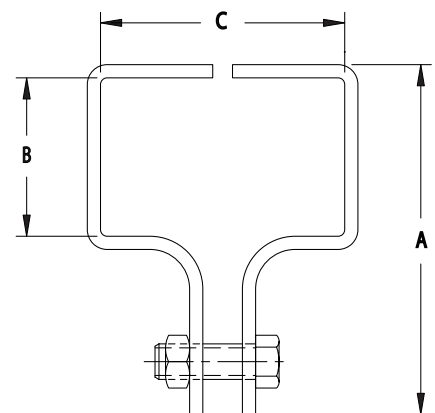
### Steel Clamp for Wood Beams

- Size Range: B x D joist sizes
- Surface Finish: Black
- Structural attachment for hanging from a "Truss Joist" type of wood beam
- For use with Models #40 Eye Rod or #37 Eye Socket

**NOTE:** B x C dimensions equal the joist size



| Part Number | Size | A       | B      | C       | Max. Rec. Load (lbs) |
|-------------|------|---------|--------|---------|----------------------|
| 3560100PL   | 1    | 3-5/16" | 1-1/2" | 2-5/16" | 250                  |
| 3560200PL   | 2    | 3-9/16" | 1-3/4" | 2-1/2"  | 250                  |
| 3560300PL   | 3    | 3-5/16" | 1-1/2" | 1-3/4"  | 250                  |
| 3560400PL   | 4    | 3-5/16" | 1-1/2" | 3-1/2"  | 250                  |
| 3560500PL   | 5    | 4-5/16" | 2-1/2" | 3-1/2"  | 250                  |



## BEAM CLAMP 360

### Malleable Iron Adjustable Center-Load Beam Clamp

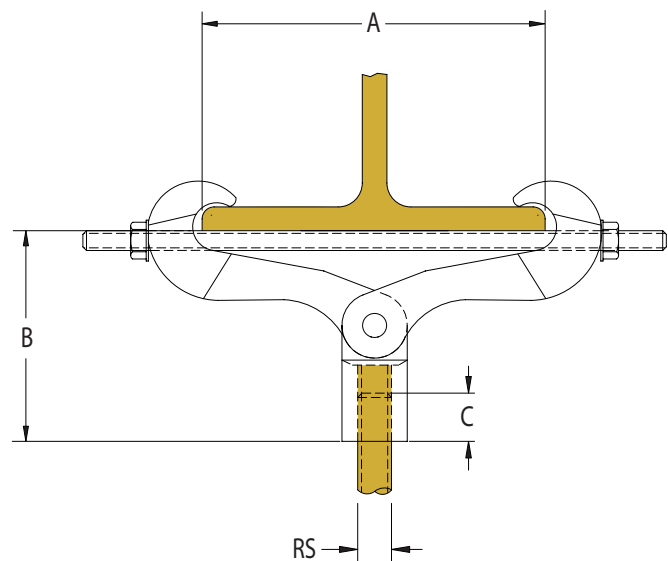
- Size Range: 3/8", 1/2", 5/8", 3/4", and 7/8" rod sizes
- Surface Finish: Black
- Structural attachment to support hanger rod beneath the center of a beam
- Accommodates 2-3/8" thru 7" wide beams with a maximum 0.60-inch flange thickness
- Use with Model #26 extension piece (not included)
- Conforms with Federal Specification WW-H-171 (Type 30), Manufacturers Standardization Society ANSI/MSS-SP-58 (Type 30); install in accordance with ANSI/MSS-SP-69



**NOTE:** Available with an EG finish by special order

| P/N 3600000PL |          |        |         |        |        |          |        | Max. Pipe Size | Max. Rec. Load (lbs) |
|---------------|----------|--------|---------|--------|--------|----------|--------|----------------|----------------------|
| RS            | A=2-3/8" | A=3"   | A=4"    | A=5"   | A=6"   | A=7"     | C      |                |                      |
|               | B        | B      | B       | B      | B      | B        |        |                |                      |
| 3/8           | 4-3/4"   | 4-3/4" | 4-1/2"  | 4-1/8" | 3-7/8" | 3-1/8"   | 7/8"   | 2"             | 610                  |
| 1/2           | 4-7/8"   | 4-3/4" | 4-3/4"  | 4-1/4" | 4"     | 3-1/4"   | 15/16" | 3-1/2"         | 1130                 |
| 5/8           | 4-15/16" | 4-7/8" | 4-3/4"  | 4-3/8" | 4"     | 3-15/16" | 1-3/8" | 5"             | 1365                 |
| 3/4           | 5-3/16"  | 5-1/8" | 5"      | 4-5/8" | 4-1/4" | 3-9/16"  | 1-3/8" | 6"             | 1365                 |
| 7/8           | 5-1/4"   | 5-1/4" | 5-1/16" | 4-3/4" | 4-3/8" | 3-5/8"   | 1-1/4" | 12"*           | 1365                 |

\*Reduced hanger spacing is required when supporting 10" and 12" pipe



## BEAM CLAMP 361

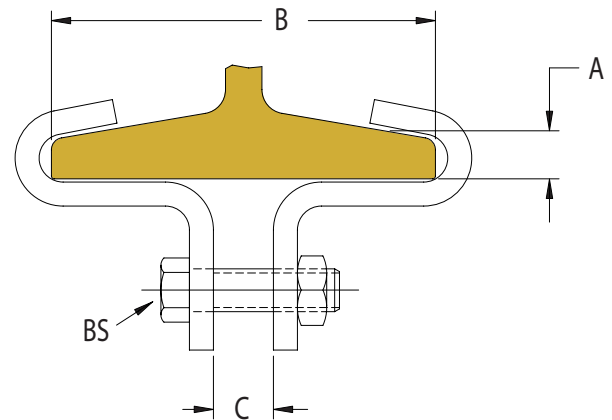
### Steel Center-Load Beam Clamp

- Size Range: 4" thru 8" wide beam
- Surface Finish: Black
- Structural attachment to support hanger rod beneath the center of a beam using Models #40 Eye Rod or #35 Eye Nut
- Conforms with Federal Specification WW-H-171 (Type 21), Manufacturers Standardization Society ANSI/MSS-SP-58 (Type 21); install in accordance with ANSI/MSS-SP-69



| Part Number* | BS          | A Rec. Flange Thickness | B  | C    | Max. Rec. Load (lbs) |
|--------------|-------------|-------------------------|----|------|----------------------|
| 361024050PL  | 1/2 x 1-3/4 | 1/2"                    | 4" | 5/8" | 700                  |
| 361025062PL  | 1/2 x 1-3/4 | 5/8"                    | 5" | 5/8" | 700                  |
| 361026075PL  | 1/2 x 1-3/4 | 3/4"                    | 6" | 5/8" | 700                  |
| 361027087PL  | 1/2 x 1-3/4 | 7/8"                    | 7" | 5/8" | 700                  |
| 361028087PL  | 1/2 x 1-3/4 | 7/8"                    | 8" | 5/8" | 700                  |
| 361054050PL  | 3/4 x 2-3/4 | 1/2"                    | 4" | 7/8" | 1500                 |
| 361055062PL  | 3/4 x 2-3/4 | 5/8"                    | 5" | 7/8" | 1500                 |
| 361056075PL  | 3/4 x 2-3/4 | 3/4"                    | 6" | 7/8" | 1500                 |
| 361057087PL  | 3/4 x 2-3/4 | 7/8"                    | 7" | 7/8" | 1500                 |
| 361058087PL  | 3/4 x 2-3/4 | 7/8"                    | 8" | 7/8" | 1500                 |

\*These part numbers encompass only types 2 and 5 of this product offering



## BEAM CLAMP 363

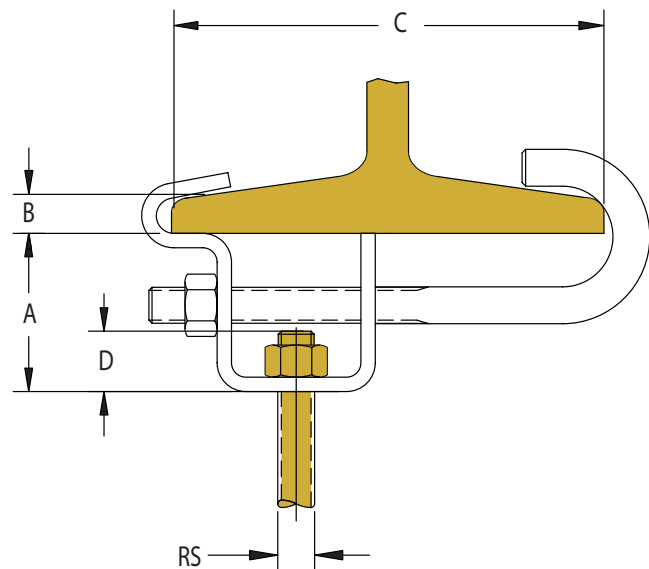
### Adjustable Steel Center-Load Beam Clamp













- Size Range: 3/8", 1/2", 5/8", and 3/4" rod sizes
- Surface Finish: Black
- Structural attachment to support hanger rod under beams of various flange width
- Conforms with Federal Specification WW-H-171 (Type 54), Manufacturers Standardization Society ANSI/MSS-SP-58 (Type 27), install in accordance with ANSI/MSS-SP-69

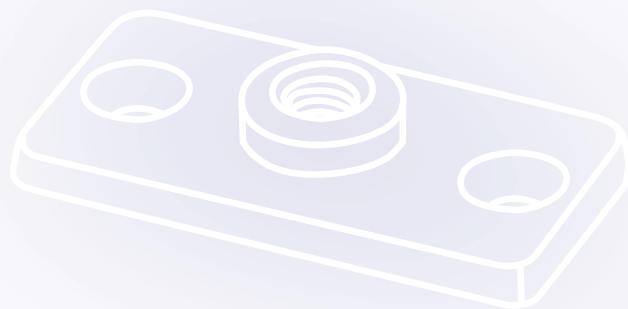


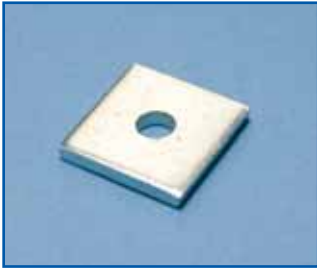
**NOTE:** Available with an EG finish by special order

| Part Number | RS  | A      | B    | C          | D      | Max Pipe Size | Max. Rec. Load (lbs) |
|-------------|-----|--------|------|------------|--------|---------------|----------------------|
| 3630037PL   | 3/8 | 2-3/4" | 5/8" | 3-1/2 - 8" | 11/16" | 2"            | 300                  |
| 3630050PL   | 1/2 | 2-3/4" | 5/8" | 3-1/2 - 8" | 13/16" | 4"            | 700                  |
| 3630062PL   | 5/8 | 2-3/4" | 5/8" | 3-1/2 - 8" | 15/16" | 8"            | 1000                 |
| 3630075PL   | 3/4 | 2-3/4" | 5/8" | 3-1/2 - 8" | 15/16" | 8"            | 1000                 |



|  |  |   |  |
|--|--|---|--|
|   |   |   |   |
| Page 117   | Page 117   | Page 118  | Page 119   |
| <b>365M</b>  | <b>365</b>   | <b>355</b>  | <b>355N</b>  |
|   |   |   |   |
| Page 120   | Page 121   | Page 122  | Page 123   |
| <b>370A</b>  | <b>37</b>  | <b>38</b>   | <b>325</b>   |
|  |  |  |  |
| Page 124   | Page 125   | Page 126  | Page 127   |
| <b>326</b>   | <b>327</b>   | <b>328</b>  | <b>319</b>   |





Page 127

**340**



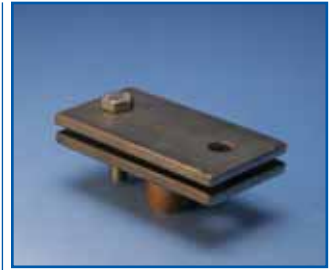
Page 128

**320L / 320W**



Page 129

**348**



Page 130

**350**



Page 130

**351**



Page 131

**352**



Page 132

**353**



Page 133

**4TI/6TI**



Page 133

**AF**



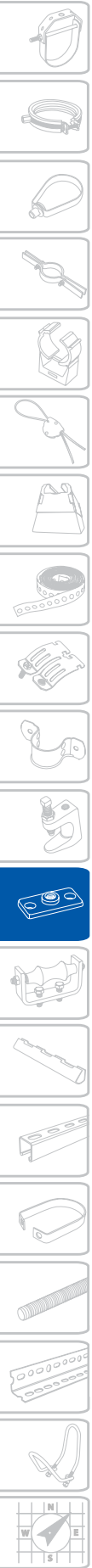
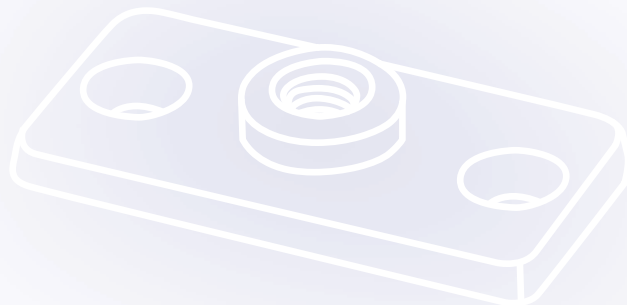
Page 134

**VF**



Page 134

**VAFT**



## CEILING OR WALL PLATE 365M

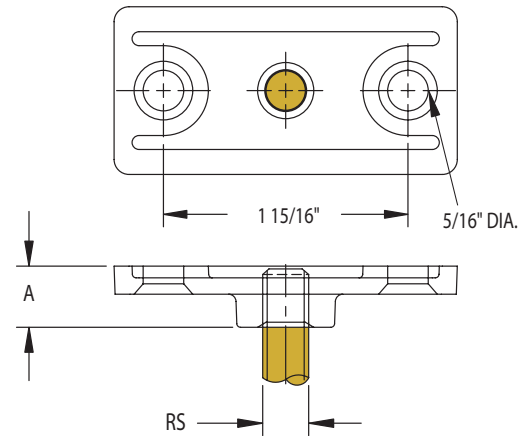
### Malleable Iron Ceiling or Wall Plate

- Size Range: 3/8" or 1/2" rod size
- Surface Finish: Electro-zinc plated, Black, Copper-colored coating (for identification purposes only)
- Structural attachment to support hanger rod from a ceiling or a wall

**NOTE:** Follow fastener manufacturer's recommended shear and pull-out strength when fastening to the structure.



| Part Number         | RS   | A      | Max. Pipe Size | Max. Rec. Load (lbs) |
|---------------------|------|--------|----------------|----------------------|
| Plain Finish        |      |        |                |                      |
| 365M0037PL          | 3/8" | 15/32" | 2"             | 180                  |
| 365M0050PL          | 1/2" | 15/32" | 3-1/2"         | 180                  |
| Electro-zinc Plated |      |        |                |                      |
| 365M0037EG          | 3/8" | 15/32" | 2"             | 180                  |
| 365M0050EG          | 1/2" | 15/32" | 3-1/2"         | 180                  |
| Copper-colored      |      |        |                |                      |
| 365M0037CP          | 3/8" | 15/32" | 2"             | 180                  |
| 365M0050CP          | 1/2" | 15/32" | 3-1/2"         | 180                  |



## CEILING OR WALL PLATE 365

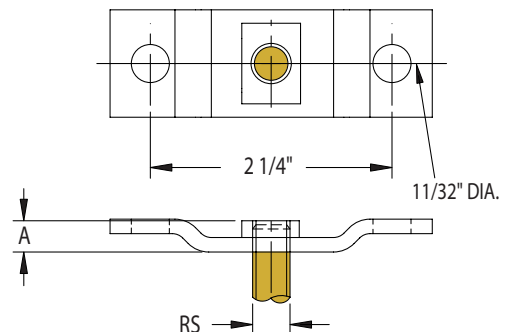
### Steel Ceiling or Wall Plate

- Size Range: 3/8" rod size
- Surface Finish: Electro-zinc plated, Black, Copper-colored coating (for identification purposes only)
- Structural attachment to support hanger rod from a ceiling or a wall

**NOTE:** Follow fastener manufacturer's recommended shear and pull-out strength when fastening to the structure.



| Part Number         | RS   | A     | Max. Pipe Size | Max. Rec. Load (lbs) |
|---------------------|------|-------|----------------|----------------------|
| Plain Finish        |      |       |                |                      |
| 3650037PL           | 3/8" | 5/16" | 2"             | 100                  |
| Electro-zinc Plated |      |       |                |                      |
| 3650037EG           | 3/8" | 5/16" | 2"             | 100                  |
| Copper-colored      |      |       |                |                      |
| 3650037CP           | 3/8" | 5/16" | 2"             | 100                  |



## CONCRETE INSERT 355

### Steel Insert Plate

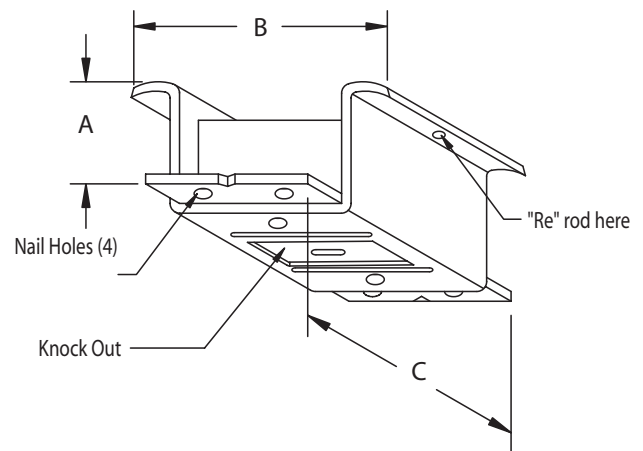
- Size Range: Maximum 7/8" rod size
- Surface Finish: Electro-zinc plated, Black
- Structural attachment in all grades of concrete
- Knockout keeps interior empty during pour
- Allows for horizontal rod adjustment up to 1-1/4"
- Installation: Place knockout side down on concrete form and nail in place. Wire 12" piece of #4 reinforcing rod on both sides. After concrete pour, knockout can be removed with a screwdriver.
- Use with Model #355N Insert Nut (for UL Listing) or Models: #Nut, #SPRA, #SPRC strut nuts. Rod should be threaded through the nut until it tightens against the top of the insert
- Conforms with Federal Specification WW-H-171 (Type 19), Manufacturers Standardization Society ANSI/MSS-SP-58 (Type 18); install in accordance with ANSI/MSS-SP-69



3/8, 1/2, 5/8, 3/4 in.  
rod for pipe size 6 in. max.



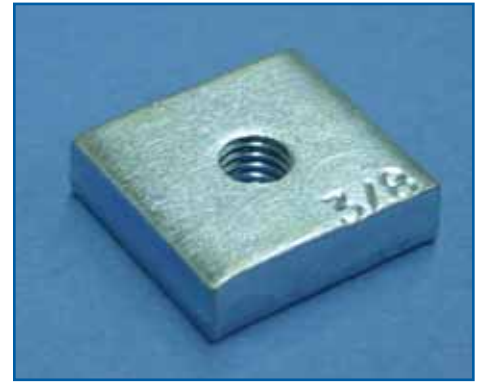
| Part Number         | Max. RS | A      | B       | C  | Max. Pipe Size | Max. Rec. Load (lbs) |
|---------------------|---------|--------|---------|----|----------------|----------------------|
| Plain Finish        |         |        |         |    |                |                      |
| 3550000PL           | 7/8"    | 1-5/8" | 3-9/16" | 3" | 10"            | 1200                 |
| Electro-zinc Plated |         |        |         |    |                |                      |
| 3550000EG           | 7/8"    | 1-5/8" | 3-9/16" | 3" | 10"            | 1200                 |



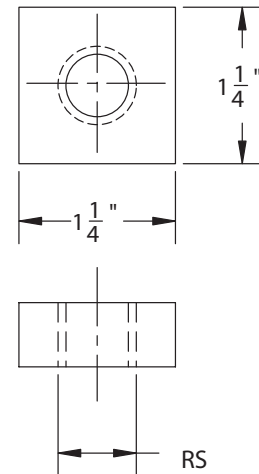
## CONCRETE INSERT NUT 355N

### Steel Insert Nut

- Size Range: 1/4", 3/8", 1/2", 5/8", 3/4", and 7/8" rod sizes
- Surface Finish: Electro-zinc plated, Black
- Hanger rod attachment to be installed inside of the Model #355 Concrete Insert
- Installation: See Model #355
- Conforms with Federal Specification WW-H-171 (Type 19), Manufacturers Standardization Society ANSI/MSS-SP-58 (Type 18); install in accordance with ANSI/MSS-SP-69



| Part Number                | RS   | Max. Pipe Size | Max. Rec. Load (lbs) |
|----------------------------|------|----------------|----------------------|
| <b>Plain Finish</b>        |      |                |                      |
| 355N0025PL                 | 1/4" | N/A            | 240                  |
| 355N0037PL                 | 3/8" | 4"             | 610                  |
| 355N0050PL                 | 1/2" | 8"             | 1130                 |
| 355N0062PL                 | 5/8" | 8"             | 1200                 |
| 355N0075PL                 | 3/4" | 8"             | 1200                 |
| 355N0087PL*                | 7/8" | 10"            | 1200                 |
| <b>Electro-zinc Plated</b> |      |                |                      |
| 355N0025EG                 | 1/4" | N/A            | 240                  |
| 355N0037EG                 | 3/8" | 4"             | 610                  |
| 355N0050EG                 | 1/2" | 8"             | 1130                 |
| 355N0062EG                 | 5/8" | 8"             | 1200                 |
| 355N0075EG                 | 3/4" | 8"             | 1200                 |
| 355N0087EG*                | 7/8" | 10"            | 1200                 |

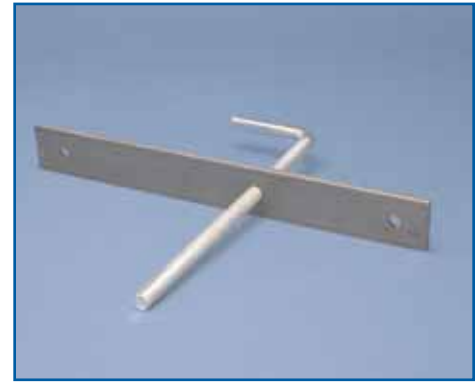


\*Reduced support spacing is required

## CONCRETE INSERT 370A

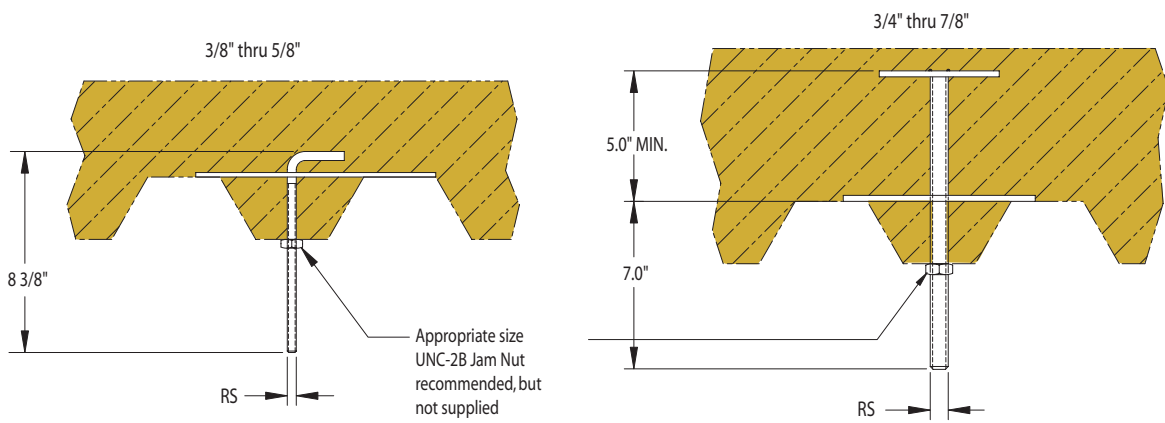
### Steel Insert Plate and Rod

- Size Range: 3/8", 1/2", 5/8", 3/4", and 7/8" rod sizes
- Surface Finish: Black
- Structural attachment to support hanger rod from metal deck-poured concrete ceiling where adjustment for concrete thickness is needed
- Threaded rod supplied with an EG finish



**NOTE:** Maximum load ratings are dependent on many factors, which include, but are not limited to: type of concrete, depth of slab, location of anchor in slab, and depth of anchor in slab. Consult a professional engineer regarding anchor positioning.

| Part Number | RS         | Plate Size   | Max. Rec. Load (lbs) |
|-------------|------------|--------------|----------------------|
| 370A0037PL  | 3/8" x 8"  | 1-1/4" x 10" | 240                  |
| 370A0050PL  | 1/2" x 8"  | 1-1/4" x 10" | 240                  |
| 370A0062PL  | 5/8" x 8"  | 1-1/4" x 10" | 610                  |
| 370A0075PL  | 3/4" x 12" | 2" x 5"      | 610                  |
| 370A0087PL  | 7/8" x 12" | 3" x 8"      | 1130                 |



Bottom plate is threaded to allow vertical adjustment of the anchor rod.



## ROD HANGER 37

### Steel Eye Socket

- Size Range: 3/8" and 1/2" rod sizes
- Surface Finish: Electro-zinc plated
- Structural attachment used to join hanger rod to a structure

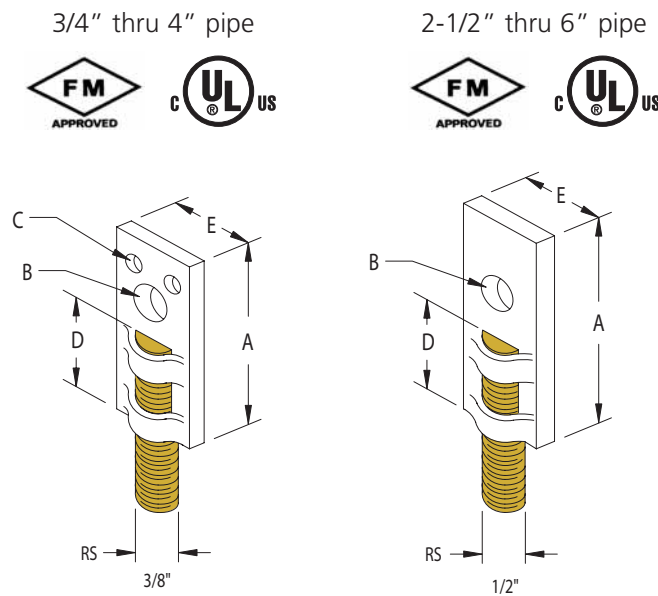


#### NOTE:

1. Fastener sizes for 3/8" rod size
  - a. Thru 2" pipe, two Model #43 Wood Drive Screws
  - b. Thru 4" pipe, one Model #42 1/2 x 3" Lag Screw
2. Fastener size for 1/2" rod size: thru 8" pipe, one Model #42 5/8 x 3" Lag Screw

| Part Number | RS   | A      | B      | C    | D       | E      | Max. Pipe Size | Max. Rec. Load (lbs)* |
|-------------|------|--------|--------|------|---------|--------|----------------|-----------------------|
| 0370037EG   | 3/8" | 2-1/4" | 1/2"   | 1/4" | 1-1/8"  | 1-1/8" | 4"             | 250                   |
| 0370050EG   | 1/2" | 2-3/4" | 11/16" | None | 1-3/16" | 1-1/2" | 8"             | 760                   |

\*Load rating dependent on wood structure strength



## ROD HANGER 38

### Offset Steel Eye socket

- Size Range: 3/8" rod size
- Surface Finish: Electro-zinc plated
- Structural attachment used to join hanger rod to a structure
- Provides full vertical rod adjustment

#### NOTE:

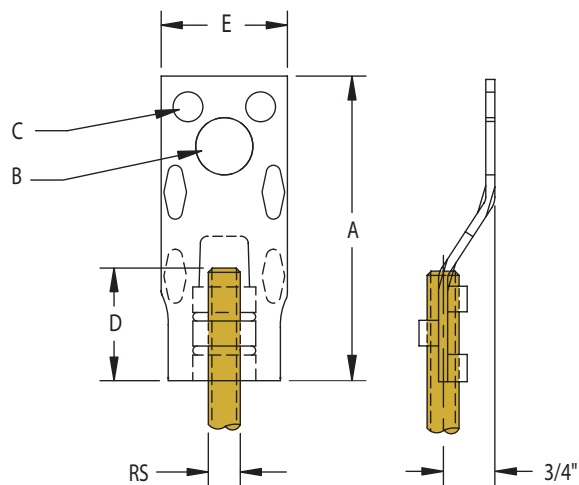
1. Fastener sizes for 3/8" rod size
  - a. Thru 2" pipe, two Model #43 Wood Drive Screws
  - b. Thru 4" pipe, one Model #42 1/2 x 3" Lag Screw



| Part Number | RS   | A      | B    | C    | D       | E      | Max. Pipe Size | Max. Rec. Load (lbs) |
|-------------|------|--------|------|------|---------|--------|----------------|----------------------|
| 0380037EG   | 3/8" | 3-1/4" | 1/2" | 1/4" | 1-3/16" | 1-1/8" | 4"             | 250                  |

\*Load rating dependent on wood structure strength

3/4" thru 4" pipe



## ROD HANGER 325

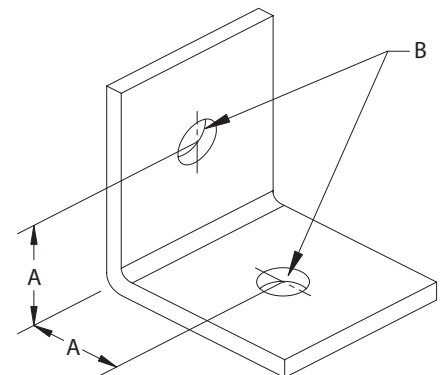
### Steel Side Beam Attachment

- Size Range: 3/8", 1/2", 5/8", 3/4", 7/8", and 1" rod sizes
- Surface Finish: Electro-zinc plated, Black
- Structural attachment fastened to the wall or the side of a joist to support hanger rod
- Conforms with Federal Specification WW-H-171 (Type 35), Manufacturers Standardization Society ANSI/MSS-SP-58 (Type 34); install in accordance with ANSI/MSS-SP-69



**NOTE:** Follow fastener manufacturer's recommended shear and pull-out strength when fastening to the structure.

| Part Number         | RS   | A       | B       | Max. Rec. Load (lbs) |                  |
|---------------------|------|---------|---------|----------------------|------------------|
|                     |      |         |         | w/ Lag Screw         | w/ Bolt to Steel |
| Plain Finish        |      |         |         |                      |                  |
| 3250037PL           | 3/8" | 1-5/32" | 7/16"   | 650                  | 1150             |
| 3250050PL           | 1/2" | 1-5/32" | 9/16"   | 650                  | 1150             |
| 3250062PL           | 5/8" | 1-3/8"  | 11/16"  | 850                  | 2000             |
| 3250075PL           | 3/4" | 1-3/4"  | 13/16"  | 900                  | 3500             |
| 3250087PL           | 7/8" | 2-1/2"  | 15/16"  | 900                  | 3600             |
| 3250100PL           | 1"   | 2-1/2"  | 1-1/16" | 900                  | 3700             |
| Electro-zinc Plated |      |         |         |                      |                  |
| 3250037EG           | 3/8" | 1-5/32" | 7/16"   | 650                  | 1150             |
| 3250050EG           | 1/2" | 1-5/32" | 9/16"   | 650                  | 1150             |
| 3250062EG           | 5/8" | 1-3/8"  | 11/16"  | 850                  | 2000             |
| 3250075EG           | 3/4" | 1-3/4"  | 13/16"  | 900                  | 3500             |
| 3250087EG           | 7/8" | 2-1/2"  | 15/16"  | 900                  | 3600             |
| 3250100EG           | 1"   | 2-1/2"  | 1-1/16" | 900                  | 3700             |



## ROD HANGER 326

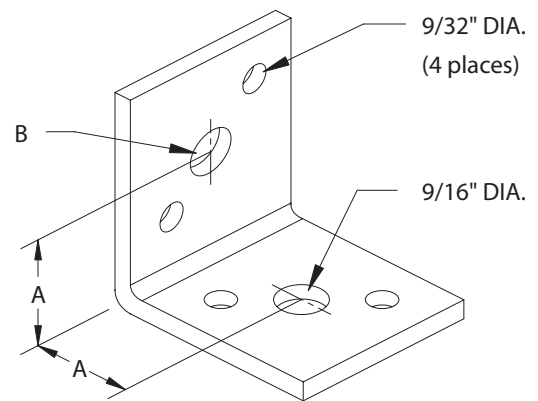
### Universal Steel Side Beam Attachment

- Size Range: 3/8" rod size
- Surface Finish: Electro-zinc plated, Black
- Structural attachment fastened to the wall or the side of a joist to support hanger rod, where either 3/8" or 1/2" fasteners can be used to reduce inventories
- Conforms with Federal Specification WW-H-171 (Type 35), Manufacturers Standardization Society ANSI/MSS-SP-58 (Type 34); install in accordance with ANSI/MSS-SP-69



**NOTE:** Follow fastener manufacturer's recommended shear and pull-out strength when fastening to the structure.

| Part Number         | RS   | A       | B     | Max. Rec. Load (lbs) |                  |
|---------------------|------|---------|-------|----------------------|------------------|
|                     |      |         |       | w/ Lag Screw         | w/ Bolt to Steel |
| Plain Finish        |      |         |       |                      |                  |
| 3260037PL           | 3/8" | 1-5/32" | 7/16" | 560                  | 620              |
| Electro-zinc Plated |      |         |       |                      |                  |
| 3260037EG           | 3/8" | 1-5/32" | 7/16" | 560                  | 620              |



## ROD HANGER 327

### Malleable Iron Side Beam Connector

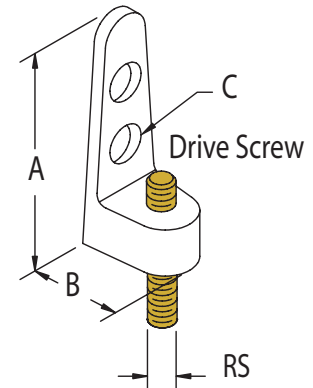
- Size Range: 3/8" and 1/2" rod sizes
- Surface Finish: Electro-zinc plated, Black
- Pre-threaded structural attachment fastened to wall or the side of a joist to support hanger rod where two #43 Wood Drive Screws are necessary for proper support



**NOTE:** Follow fastener manufacturer's recommended shear and pull-out strength when fastening to the structure.

| Part Number         | RS   | A      | B       | C   | Max. Rec. Load (lbs)* |
|---------------------|------|--------|---------|-----|-----------------------|
| Plain Finish        |      |        |         |     |                       |
| 3270037PL           | 3/8" | 2-3/8" | 15/16"  | #14 | 250                   |
| 3270050PL           | 1/2" | 2-3/4" | 1-5/16" | #16 | 480                   |
| Electro-zinc Plated |      |        |         |     |                       |
| 3270037EG           | 3/8" | 2-3/8" | 15/16"  | #14 | 250                   |
| 3270050EG           | 1/2" | 2-3/4" | 1-5/16" | #16 | 480                   |

\*Load rating dependent on wood structure strength



## ROD HANGER 328

### Threaded Steel Side Beam Connector

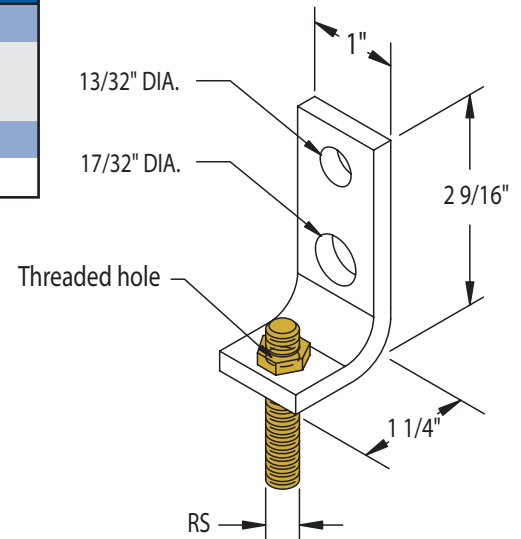
- Size Range: 3/8" and 1/2" rod sizes
- Surface Finish: Electro-zinc plated, Black
- Pre-threaded structural attachment fastened to wall or the side of a joist to support hanger rod
- Conforms with Federal Specification WW-H-171 (Type 35), Manufacturers Standardization Society ANSI/MSS-SP-58 (Type 34); install in accordance with ANSI/MSS-SP-69



**NOTE:** Follow fastener manufacturer's recommended shear and pull-out strength when fastening to the structure.

| Part Number         | RS   | Max. Rec. Load (lbs) |                  |
|---------------------|------|----------------------|------------------|
|                     |      | w/ Lag Screw         | w/ Bolt to Steel |
| Plain Finish        |      |                      |                  |
| 3280037PL           | 3/8" | 560                  | 620              |
| 3280050PL           | 1/2" | 560                  | 620              |
| Electro-zinc Plated |      |                      |                  |
| 3280037EG           | 3/8" | 560                  | 620              |

1" thru 4" pipe



## ROD HANGER 319

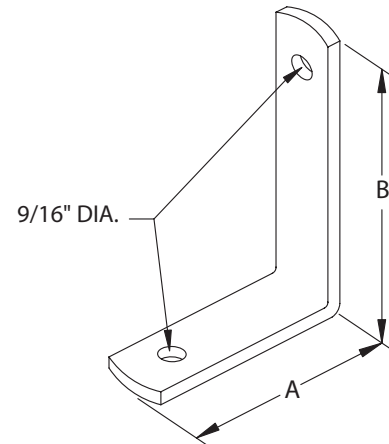
### Steel Return Line Angle Bracket

- Size Range: 2-5/8" thru 3-5/8" from wall
- Surface Finish: Black
- Structural wall attachment to support hanger rod designed to keep the centerline of the pipe either 2", 3", or 4" away from the wall

**NOTE:** Follow fastener manufacturer's recommended shear and pull-out strength when fastening to the structure



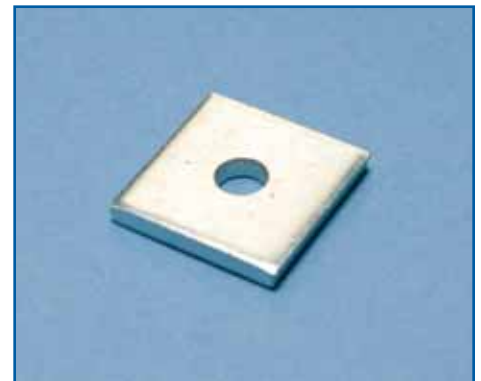
| Part Number | A      | B      | Max. Rec. Load (lbs) |
|-------------|--------|--------|----------------------|
| 3190100PL   | 2-5/8" | 3-5/8" | 180                  |
| 3190200PL   | 3-5/8" | 4-5/8" | 180                  |



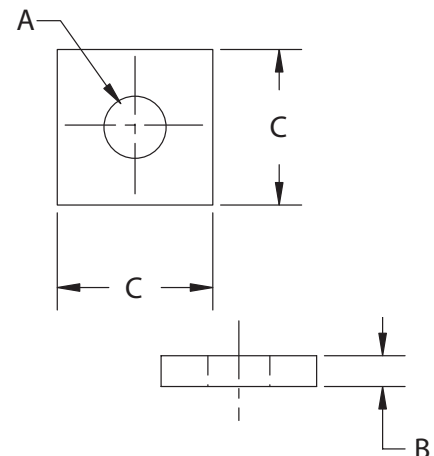
## WASHER PLATE 340

### Square Steel Washer

- Size Range: 3/8", 1/2", 5/8", 3/4", and 7/8" rod sizes
- Surface Finish: Electro-zinc plated
- Square steel washer plate used on top of channel or angle for hanger rod or U-bolt attachment



| Part Number | RS   | A      | B    | C  |
|-------------|------|--------|------|----|
| 340A2503PL  | 3/8" | 7/16"  | 1/4" | 3" |
| 340B2503PL  | 1/2" | 9/16"  | 1/4" | 3" |
| 340C3703PL  | 5/8" | 11/16" | 3/8" | 3" |
| 340D3704PL  | 3/4" | 13/16" | 3/8" | 4" |
| 340E5004PL  | 7/8" | 15/16" | 1/2" | 4" |



## ROD HANGER 320L / 320W

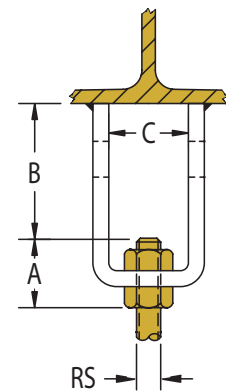
### Welded Beam Attachment

- Size Range: 3/8" thru 2-1/2" rod sizes
- Surface Finish: Black
- Hanger rod attachment to be welded to the bottom of a beam where large rod sizes and substantial loads exist
- Install in position "A" if rigid hanger rod and vertical adjustment are necessary
- Install in position "B" when a rod attachment is desired, such as Model #40 Eye Rod or #35 Welded Eye Nut
- Based on the allowable stresses shown in ANSI® Code for Pressure Piping
- Conforms with Federal Specification WW-H-171 (Type 22), Manufacturers Standardization Society ANSI/MSS-SP-58 (Type 22); install in accordance with ANSI/MSS-SP-69



### Position A

| Part Number | RS       | A       | B        | C       | Max. Rec. Load (lbs) 650° F |
|-------------|----------|---------|----------|---------|-----------------------------|
| 320L0037PL  | 3/8"     | 3/4"    | 2-1/8"   | 1-9/16" | 610                         |
| 320L0050PL  | 1/2"     | 7/8"    | 2"       | 1-5/8"  | 1130                        |
| 320L0062PL  | 5/8"     | 1"      | 2"       | 1-5/8"  | 1810                        |
| 320L0075PL  | 3/4"     | 1-1/4"  | 1-7/8"   | 1-7/8"  | 2710                        |
| 320L0087PL  | 7/8"     | 1-3/8"  | 2-7/8"   | 2"      | 3770                        |
| 320L0100PL  | 1"       | 1-5/8"  | 2-7/8"   | 2"      | 4960                        |
| 320L0125PL  | 1-1/4" * | 2"      | 3"       | 2-1/2"  | 8000                        |
| 320L0150PL  | 1-1/2" * | 2-7/16" | 4-1/16"  | 3"      | 11630                       |
| 320L0175PL  | 1-3/4" * | 2-5/16" | 4-13/16" | 3-3/4"  | 15700                       |
| 320L0200PL  | 2" *     | 3-1/4"  | 5"       | 3-3/4"  | 20700                       |
| 320L0225PL  | 2-1/4" * | 3-1/2"  | 6"       | 4-1/4"  | 27200                       |
| 320L0250PL  | 2-1/2" * | 3-3/4"  | 6"       | 4-1/2"  | 33500                       |

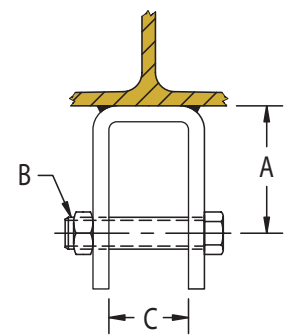


POSITION A

\*1-1/4" and larger are weldments

### Position B

| Part Number | RS       | A  | B               | C       | Max. Rec. Load (lbs) 650° F |
|-------------|----------|----|-----------------|---------|-----------------------------|
| 320W0037PL  | 3/8"     | 2" | 1/2" x 2-1/2"   | 1-9/16" | 610                         |
| 320W0050PL  | 1/2"     | 2" | 5/8" x 2-1/2"   | 1-5/8"  | 1130                        |
| 320W0062PL  | 5/8"     | 2" | 5/8" x 2-3/4"   | 1-5/8"  | 1810                        |
| 320W0075PL  | 3/4"     | 2" | 7/8" x 4"       | 1-7/8"  | 2710                        |
| 320W0087PL  | 7/8"     | 3" | 1" x 4"         | 2"      | 3770                        |
| 320W0100PL  | 1"       | 3" | 1-1/8" x 5"     | 2"      | 4960                        |
| 320W0112PL  | 1-1/8"   | 3" | 1-1/4" x 5"     | 2-1/4"  | 6480                        |
| 320W0150PL  | 1-1/2" * | 4" | 1-5/8" x 5-3/4" | 3"      | 11630                       |
| 320W0175PL  | 1-3/4" * | 5" | 1-7/8" x 6-7/8" | 3-3/4"  | 15700                       |
| 320W0200PL  | 2" *     | 5" | 2-1/4" x 6-7/8" | 3-3/4"  | 20700                       |
| 320W0225PL  | 2-1/4" * | 6" | 2-1/2" x 7-3/8" | 4-1/4"  | 27200                       |
| 320W0250PL  | 2-1/2" * | 6" | 2-3/4" x 7-5/8" | 4-1/2"  | 33500                       |



POSITION B

\*1-1/4" and larger are weldments



## Welded Bracket 348

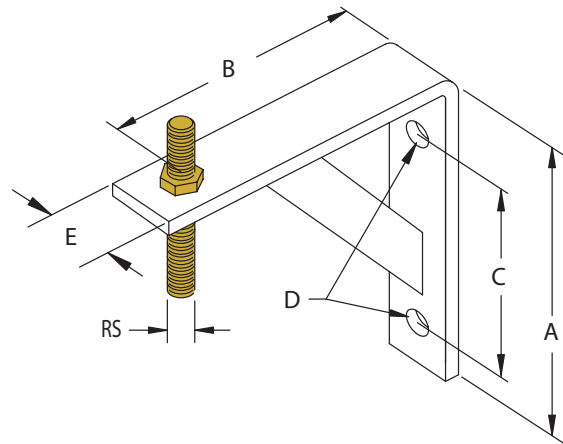
### Light Duty Welded Wall Bracket

- Size Range: Maximum 1/2" rod size
- Surface Finish: Black
- Wall attachment to suspend 2" or smaller static piping



**NOTE:** Follow fastener manufacturer's recommended shear and pull-out strength when fastening to the structure

| Part Number | Size | RS   | A   | B   | C       | D     | E  | Max. Rec. Load (lbs) |
|-------------|------|------|-----|-----|---------|-------|----|----------------------|
| 3480100PL   | 1    | 1/2" | 9"  | 8"  | 6-1/2"  | 9/16" | 2" | 750                  |
| 3480200PL   | 2    | 1/2" | 13" | 12" | 10-1/2" | 9/16" | 2" | 750                  |
| 3480300PL   | 3    | 1/2" | 19" | 18" | 16-1/2" | 9/16" | 2" | 750                  |

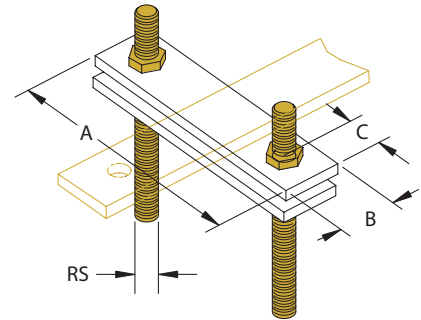
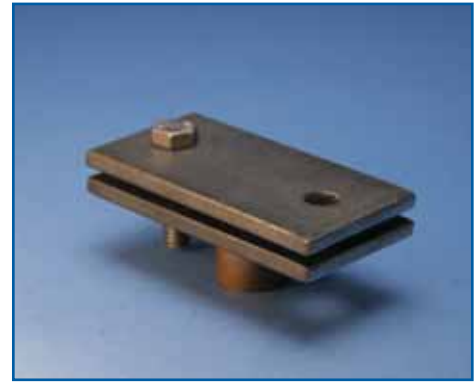


## ROD CLIP 350

### Threaded Rod Clip for Welded Brackets

- Size Range: 3/8" and 1/2" rod sizes
- Surface Finish: Black
- Allows hanger rod to be adjusted further from or closer to the structural member
- Clip size determined by pipe size

**NOTE:** If using bracket with clip, slip clip over upper arm of bracket and run a rod through the two plates.



| Part Number | Pipe Size        | RS   | A        | B       | C      |
|-------------|------------------|------|----------|---------|--------|
| 3500037PL   | 3/4" to 2"       | 3/8" | 3-13/16" | 1-3/16" | 21/32" |
| 3500050PL   | 2-1/2" to 3-1/2" | 1/2" | 4-1/16"  | 1-7/16" | 23/32" |

## Welded Bracket 351

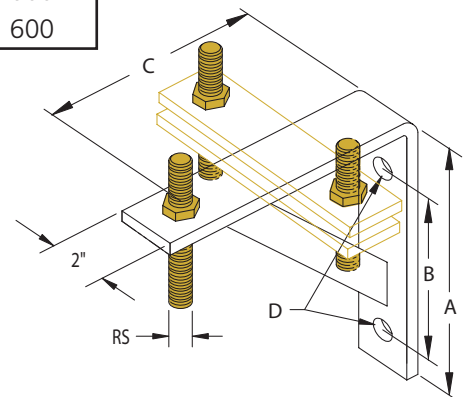
### Light Duty Welded Wall Bracket

- Size Range: Maximum 1/2" rod size
- Surface Finish: Black
- Designed to suspend hanger rod for support of light loads under 750 lbs. and normally used in conjunction with Model #350 Rod Clip
- Determine bracket size by dimension of standard bracket most suitable to the installation

**NOTE:** Follow fastener manufacturer's recommended shear and pull-out strength when fastening to the structure



| Part Number | RS   | A   | B       | C   | D      | Max. Pipe Size | Max. Rec. Load (lbs) |
|-------------|------|-----|---------|-----|--------|----------------|----------------------|
| 3510100PL   | 1/2" | 9"  | 6-1/2"  | 8"  | 13/16" | 3-1/2"         | 600                  |
| 3510200PL   | 1/2" | 13" | 10-1/2" | 12" | 13/16" | 3-1/2"         | 600                  |
| 3510300PL   | 1/2" | 19" | 16-1/2" | 18" | 13/16" | 3-1/2"         | 600                  |



## Welded Bracket 352

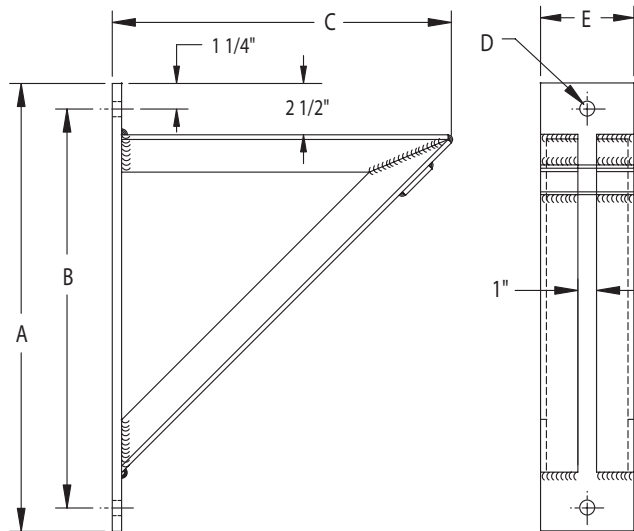
### Medium Duty Welded Wall Bracket

- Surface Finish: Black
- Wall attachment to support or suspend static piping
- Recommended to support loads no greater than 1500 lbs.
- Conforms with Federal Specification WW-H-171 (Type 33), Manufacturers Standardization Society ANSI/MSS-SP-58 (Type 32); install in accordance with ANSI/MSS-SP-69



**NOTE:** Follow fastener manufacturer's recommended shear and pull-out strength when fastening to the structure

| Part Number | Size | A   | B       | C   | D      | E      | Max. Rec. Load (lbs) |
|-------------|------|-----|---------|-----|--------|--------|----------------------|
| 3520100PL   | 1    | 18" | 15-1/2" | 12" | 13/16" | 4"     | 1500                 |
| 3520200PL   | 2    | 24" | 21-1/2" | 18" | 13/16" | 4-1/2" | 1500                 |
| 3520300PL   | 3    | 30" | 27-1/2" | 24" | 13/16" | 5"     | 1500                 |



## Welded Bracket 353

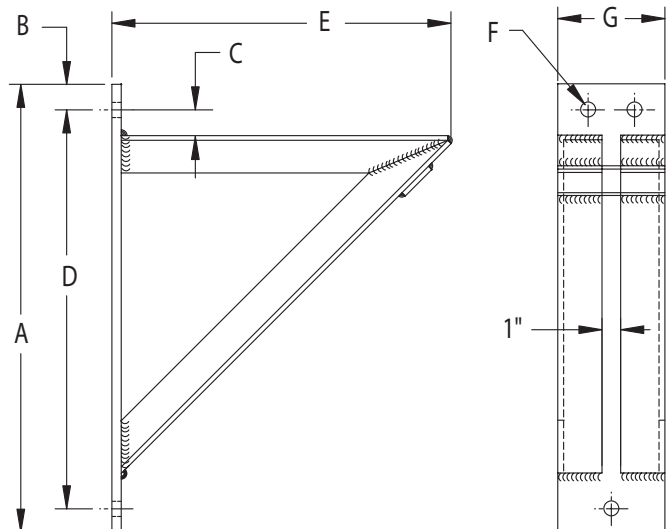
### Heavy Duty Welded Wall Bracket

- Surface Finish: Black
- Wall attachment to support or suspend static piping
- Recommended to support loads no greater than 3000 lbs.
- Conforms with Federal Specification WW-H-171 (Type 34), Manufacturers Standardization Society ANSI/MSS-SP-58 (Type 33); install in accordance with ANSI/MSS-SP-69



**NOTE:** Follow fastener manufacturer's recommended shear and pull-out strength when fastening to the structure

| Part Number | Size | A   | B      | C      | D       | E   | F       | G  | Max. Rec. Load (lbs) |
|-------------|------|-----|--------|--------|---------|-----|---------|----|----------------------|
| 3530100PL   | 1    | 18" | 1-1/2" | 7/8"   | 15-1/4" | 12" | 13/16"  | 4" | 3000                 |
| 3530200PL   | 2    | 24" | 1-3/8" | 1"     | 21-3/8" | 18" | 15/16"  | 5" | 3000                 |
| 3530300PL   | 3    | 30" | 1-1/4" | 1-1/8" | 27-1/2" | 24" | 1-1/16" | 5" | 3000                 |
| 3530400PL   | 4    | 36" | 1-1/2" | 1-1/2" | 33-1/4" | 30" | 1-1/16" | 5" | 3000                 |
| 3530500PL   | 5    | 42" | 1-1/2" | 1-1/2" | 39"     | 36" | 1-1/16" | 6" | 3000                 |
| 3530600PL   | 6    | 50" | 2"     | 1-1/2" | 46"     | 42" | 1-1/16" | 6" | 3000                 |



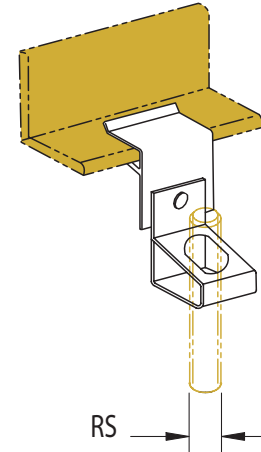
## ROD CLIP 4TI/6TI

### Hammer-on Rod Clip

- Size Range: 1/4" and 3/8" rod sizes
- Surface Finish: CADDY® COAT Black
- Used to support 1/4" and 3/8" threaded rod from beam flanges 1/8" thru 3/4" thick
- Installation: Hammer over the flange, insert rod, and adjust to desired length



| Part Number | Flange Thickness | RS     | Finish   | Load Limit (lbs.) |
|-------------|------------------|--------|----------|-------------------|
| 4TI24       | 1/8" - 1/4"      | 1/4-20 | CC Black | 200               |
| 4TI58       | 5/16" - 1/2"     | 1/4-20 | CC Black | 200               |
| 4TI912      | 9/16" - 3/4"     | 1/4-20 | CC Black | 200               |
| 6TI24       | 1/8" - 1/4"      | 3/8-16 | CC Black | 200               |
| 6TI58       | 5/16" - 1/2"     | 3/8-16 | CC Black | 200               |
| 6TI912      | 9/16" - 3/4"     | 3/8-16 | CC Black | 200               |



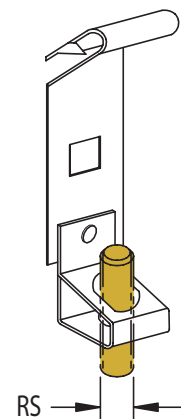
## ROD CLIP AF (ANGLED FLANGE)

### Hammer-on Z Purlin Rod Clip

- Size Range: 1/4" and 3/8" rod sizes
- Surface Finish: CADDY® COAT Black
- Used to support 1/4" and 3/8" threaded rod from purlin beam flanges 1/16" thru 1/4" thick
- Installation: Hammer-on or install from the floor with the VAFT tool



| Part Number | Flange Thickness | RS     | Finish   | Load Limit (lbs.) |
|-------------|------------------|--------|----------|-------------------|
| AF144TI     | 1/16" - 1/4"     | 1/4-20 | CC Black | 100               |
| AF146TI     | 1/16" - 1/4"     | 3/8-16 | CC Black | 100               |



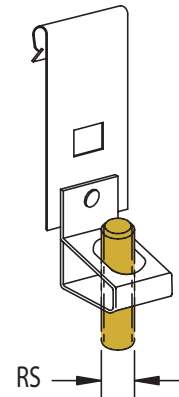
## ROD CLIP VF (VERTICAL FLANGE)

### Hammer-on C Purlin Rod Clip

- Size Range: 1/4" and 3/8" rod sizes
- Surface Finish: CADDY® COAT Black
- Used to support 1/4" and 3/8" threaded rod from purlin beam flanges 1/16" thru 1/4" thick
- Installation: Hammer-on or install from the floor with the VAFT tool



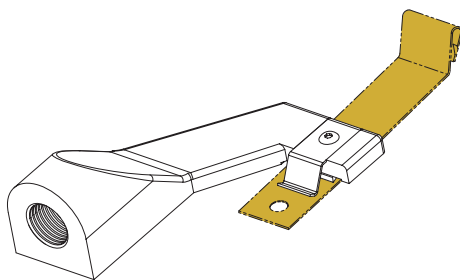
| Part Number | Flange Thickness | RS     | Finish   | Load Limit (lbs.) |
|-------------|------------------|--------|----------|-------------------|
| VF144TI     | 1/16" - 1/4"     | 1/4-20 | CC Black | 160               |
| VF146TI     | 1/16" - 1/4"     | 3/8-16 | CC Black | 160               |



## INSTALLATION TOOL VAFT

### AF & VF Installation Tool

- Installation tool for VF & AF assemblies
- Used to install the AF or VF rod clips from the floor





Page 136

**605**



Page 137

**610**



Page 138

**615**



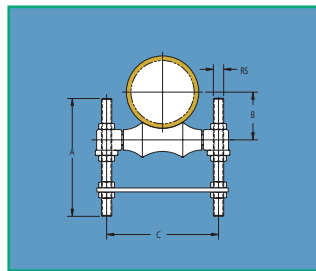
Page 139

**617**



Page 140

**619**



Page 141

**620**



Page 142-143

**ROL12**



Page 142-143

**ROL13**



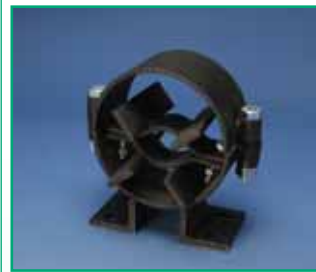
Page 144

**ROL14**



Page 145

**ROL15**



Page 146-147

**650**



Page 148-149

**651**



Page 150

**721**



Page 151

**722**



Page 152

**723**



Page 153

**724**



## PIPE ROLLER 605

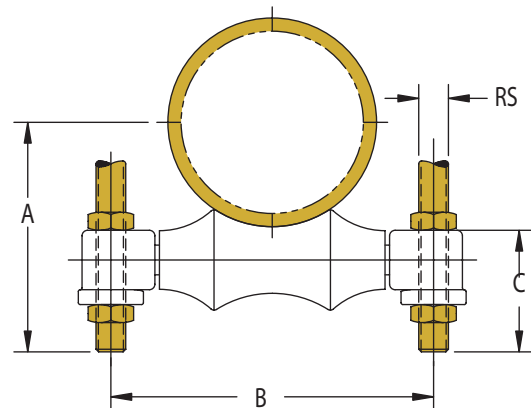
### Two Rod Roller Hanger

- Size Range: 2-1/2" thru 30"
- Surface Finish: Black
- Suspends pipe from two rods where longitudinal movement in pipe may occur due to expansion or contraction
- Conforms with Federal Specification WW-H-171 (Type 42), Manufacturers Standardization Society ANSI/MSS-SP-58 (Type 41); install in accordance with ANSI/MSS-SP-69



**NOTE:** Roll and sockets are cast iron and axle is carbon steel, available with Electro-zinc plated finish by special order

| Part Number | Pipe Size | RS     | A         | B        | C        | Max. Rec. Load (lbs) |
|-------------|-----------|--------|-----------|----------|----------|----------------------|
| 6050250PL   | 2-1/2"    | 1/2"   | 3-1/4"    | 4-7/8"   | 1-13/16" | 660                  |
| 6050300PL   | 3"        | 1/2"   | 3-9/16"   | 5-5/8"   | 1-13/16" | 700                  |
| 6050350PL   | 3-1/2"    | 1/2"   | 3-7/8"    | 6-1/8"   | 1-13/16" | 750                  |
| 6050400PL   | 4"        | 5/8"   | 4-3/8"    | 6-11/16" | 2-1/4"   | 750                  |
| 6050500PL   | 5"        | 5/8"   | 5"        | 7-15/16" | 2-1/4"   | 750                  |
| 6050600PL   | 6"        | 3/4"   | 5-13/16"  | 9-9/16"  | 2-5/8"   | 1070                 |
| 6050800PL   | 8"        | 7/8"   | 7-3/16"   | 12"      | 3-1/16"  | 1350                 |
| 6051000PL   | 10"       | 7/8"   | 8-7/16"   | 14"      | 3-1/16"  | 1730                 |
| 6051200PL   | 12"       | 7/8"   | 9-5/8"    | 15-3/4"  | 3-3/16"  | 2400                 |
| 6051400PL   | 14"       | 1"     | 10-7/8"   | 17-5/8"  | 3-1/2"   | 3130                 |
| 6051600PL   | 16"       | 1"     | 12"       | 19-5/16" | 3-9/16"  | 3970                 |
| 6051800PL   | 18"       | 1"     | 13-1/16"  | 21-5/8"  | 3-9/16"  | 4200                 |
| 6052000PL   | 20"       | 1-1/4" | 14-9/16"  | 24-1/8"  | 4-5/16"  | 4550                 |
| 6052400PL   | 24"       | 1-1/2" | 17-3/8"   | 28-3/8"  | 4-15/16" | 6160                 |
| 6053000PL   | 30"       | 1-1/2" | 20-15/16" | 35-3/8"  | 5-9/16"  | 7290                 |



## PIPE ROLLER 610

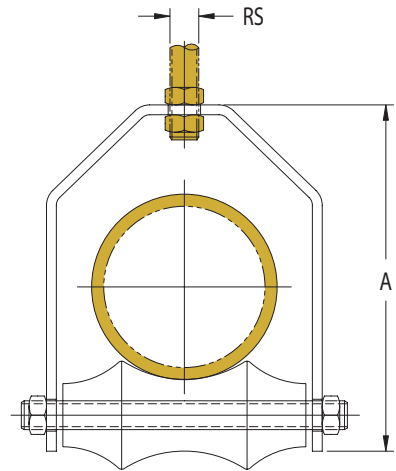
### One Rod Roller Hanger

- Size Range: 2-1/2" thru 24"
- Surface Finish: Black
- Suspend pipe from a single hanger rod where longitudinal movement may occur in the pipe due to expansion or contraction
- Conforms with Federal Specification WW-H-171 (Type 44), Manufacturers Standardization Society ANSI/MSS-SP-58 (Type 43); install in accordance with ANSI/MSS-SP-69



**NOTE:** Yoke and axle are carbon steel and roll is cast iron, available with Electro-zinc plated finish by special order

| Part Number | Pipe Size | RS     | A         | Max. Rec. Load (lbs.) |
|-------------|-----------|--------|-----------|-----------------------|
| 6010250PL   | 2-1/2"    | 1/2"   | 6-3/8"    | 225                   |
| 6100300PL   | 3"        | 1/2"   | 7"        | 310                   |
| 6100350PL   | 3-1/2"    | 1/2"   | 7-11/16"  | 390                   |
| 6100400PL   | 4"        | 5/8"   | 8-7/16"   | 475                   |
| 6100500PL   | 5"        | 5/8"   | 10-3/16"  | 685                   |
| 6100600PL   | 6"        | 3/4"   | 11-7/16"  | 780                   |
| 6100800PL   | 8"        | 7/8"   | 13-15/16" | 780                   |
| 6101000PL   | 10"       | 7/8"   | 16-3/8"   | 965                   |
| 6101200PL   | 12"       | 7/8"   | 18-7/8"   | 1200                  |
| 6101400PL   | 14"       | 1"     | 20-7/8"   | 1200                  |
| 6101600PL   | 16"       | 1"     | 22-7/16"  | 1200                  |
| 6101800PL   | 18"       | 1"     | 25-3/4"   | 1400                  |
| 6102000PL   | 20"       | 1-1/4" | 27"       | 1600                  |
| 6102400PL   | 24"       | 1-1/4" | 32-7/16"  | 1600                  |



## PIPE ROLLER 615

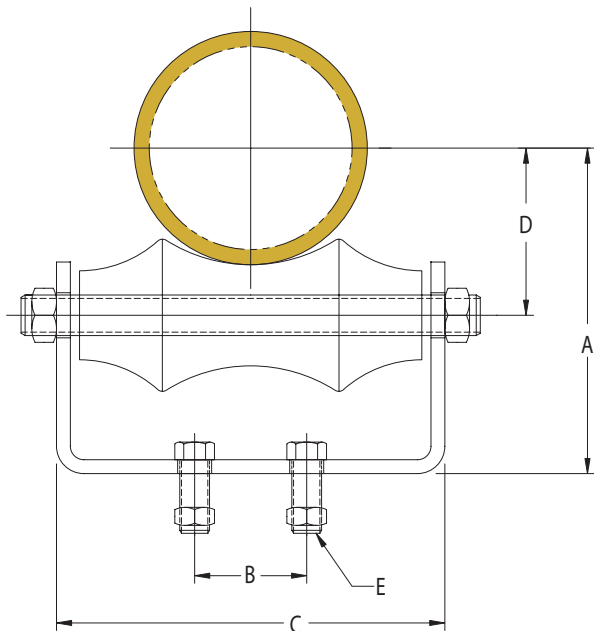
### Pipe Roller Support

- Size Range: 2-1/2" thru 24"
- Surface Finish: Black
- Support pipe from a substructure or structural member where longitudinal movement may occur due to expansion or contraction
- Conforms with Federal Specification WW-H-171 (Type 45), Manufacturers Standardization Society ANSI/MSS-SP-58 (Type 44); install in accordance with ANSI/MSS-SP-69



**NOTE:** Chair and axle are carbon steel and roll is cast iron, available with Electro-zinc plated finish by special order

| Part Number | Pipe Size | A         | B      | C        | D         | E             | Max. Rec. Load (lbs) |
|-------------|-----------|-----------|--------|----------|-----------|---------------|----------------------|
| 6150250PL   | 2-1/2"    | 3-1/2"    | 1-1/4" | 4"       | 1-7/8"    | 3/8" x 1-1/4" | 600                  |
| 6150300PL   | 3"        | 4"        | 2"     | 4-5/8"   | 2-1/4"    | 3/8" x 1-1/4" | 600                  |
| 6150350PL   | 3-1/2"    | 4-5/8"    | 2"     | 5-3/8"   | 2-5/8"    | 3/8" x 1-1/4" | 600                  |
| 6150400PL   | 4"        | 5-3/16"   | 2"     | 5-7/8"   | 2-7/8"    | 1/2" x 1-1/2" | 700                  |
| 6150500PL   | 5"        | 6"        | 3"     | 6-15/16" | 3-1/2"    | 1/2" x 1-1/2" | 700                  |
| 6150600PL   | 6"        | 6-3/4"    | 3-1/8" | 8"       | 4"        | 1/2" x 1-1/2" | 1000                 |
| 6150800PL   | 8"        | 8-1/4"    | 3-3/8" | 10"      | 5-1/4"    | 5/8" x 1-3/4" | 1300                 |
| 6151000PL   | 10"       | 9-15/16"  | 5-1/4" | 12-1/2"  | 6-5/16"   | 5/8" x 1-3/4" | 1300                 |
| 6151200PL   | 12"       | 11-5/8"   | 5-1/2" | 14"      | 7-1/2"    | 5/8" x 1-3/4" | 2300                 |
| 6151400PL   | 14"       | 13"       | 5-3/4" | 15-7/8"  | 8-3/8"    | 5/8" x 1-3/4" | 3000                 |
| 6151600PL   | 16"       | 14-9/16"  | 8"     | 17-7/8"  | 9-7/16"   | 5/8" x 2"     | 4000                 |
| 6151800PL   | 18"       | 15-15/16" | 9-1/2" | 20"      | 10-7/16"  | 5/8" x 2"     | 4000                 |
| 6152000PL   | 20"       | 17-1/8"   | 10"    | 22"      | 11-1/2"   | 3/4" x 2-1/4" | 4000                 |
| 6152400PL   | 24"       | 20-9/16"  | 12"    | 26-1/8"  | 13-15/16" | 3/4" x 2-1/4" | 4000                 |



## PIPE ROLLER 617

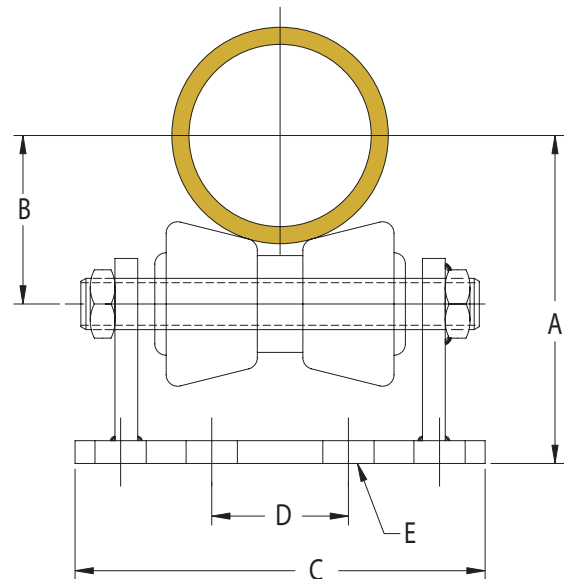
### Pipe Roll Stand with Steel Frame

- Size Range: 3-1/2" thru 42"
- Surface Finish: Black
- Support pipe from a substructure or structural member where longitudinal movement may occur due to expansion or contraction
- Conforms with Federal Specification WW-H-171 (Type 45), Manufacturers Standardization Society ANSI/MSS-SP-58 (Type 44); install in accordance with ANSI/MSS-SP-69



**NOTE:** Frame and axle are carbon steel and roll is cast iron

| Part Number | Pipe Size | A        | B       | C        | D      | E       | Max. Rec. Load (lbs) |
|-------------|-----------|----------|---------|----------|--------|---------|----------------------|
| 6170350PL   | 3-1/2"    | 4-3/8"   | 2-5/8"  | 4-1/2"   | 1-1/2" | 9/16"   | 390                  |
| 6170600PL   | 6"        | 6-1/16"  | 4"      | 5-3/4"   | 2-1/4" | 9/16"   | 950                  |
| 6171000PL   | 10"       | 9-13/16" | 6-3/8"  | 8-1/4"   | 4"     | 11/16"  | 2100                 |
| 6171400PL   | 14"       | 12"      | 8-1/8"  | 10-9/16" | 5-3/4" | 13/16"  | 3075                 |
| 6172000PL   | 20"       | 15-5/8"  | 11-3/8" | 11-3/4"  | 7"     | 13/16"  | 4980                 |
| 6172400PL   | 24"       | 17-3/4"  | 13-3/8" | 12-3/4"  | 7-5/8" | 13/16"  | 6100                 |
| 6173000PL   | 30"       | 21-7/8"  | 16-3/4" | 16-1/4"  | 10"    | 1-1/16" | 7500                 |
| 6174200PL   | 42"       | 28-7/8"  | 23-1/8" | 19-1/2"  | 12"    | 1-5/16" | 12000                |



## Pipe Roller 619

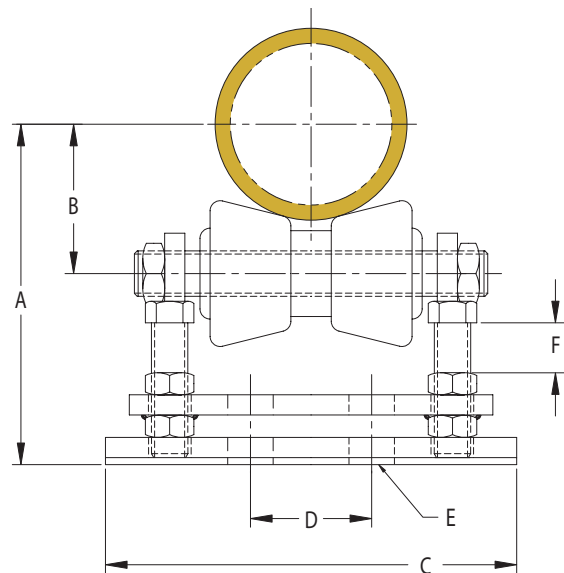
### Adjustable Pipe Roll Stand with Steel Frame

- Size Range: 3-1/2" thru 42"
- Surface Finish: Black
- Support pipe from a substructure or structural member where longitudinal movement may occur due to expansion or contraction
- Vertical adjustment is provided by adjusting bolts on each corner
- Conforms with Federal Specification WW-H-171 (Type 47), Manufacturers Standardization Society ANSI/MSS-SP-58 (Type 46); install in accordance with ANSI/MSS-SP-69



**NOTE:** Frame and axle are carbon steel and roll is cast iron

| Part Number | Pipe Size | A         | B       | C       | D      | E       | F      | Max. Rec. Load (lbs) |
|-------------|-----------|-----------|---------|---------|--------|---------|--------|----------------------|
| 6190350PL   | 3-1/2"    | 5-1/16"   | 2-5/8"  | 5"      | 1-1/2" | 9/16"   | 1-3/8" | 390                  |
| 6190600PL   | 6"        | 6-3/4"    | 4"      | 6-1/4"  | 2-1/4" | 9/16"   | 1-3/8" | 950                  |
| 6191000PL   | 10"       | 10-11/16" | 6-3/8"  | 8-3/4"  | 4"     | 11/16"  | 2-1/2" | 2100                 |
| 6191400PL   | 14"       | 12-15/16" | 8-1/8"  | 11"     | 5-3/4" | 13/16"  | 2-7/8" | 3075                 |
| 6192000PL   | 20"       | 16-11/16" | 11-3/8" | 12-1/4" | 7"     | 13/16"  | 3-1/8" | 4980                 |
| 6192400PL   | 24"       | 18-13/16" | 13-3/8" | 13-1/4" | 7-5/8" | 13/16"  | 3-1/8" | 6100                 |
| 6193000PL   | 30"       | 23-1/16"  | 16-3/4" | 16-3/4" | 10"    | 1-1/16" | 3-7/8" | 7500                 |
| 6194200PL   | 42"       | 30-1/4"   | 23-1/8" | 20"     | 12"    | 1-5/16" | 4-1/2" | 12000                |

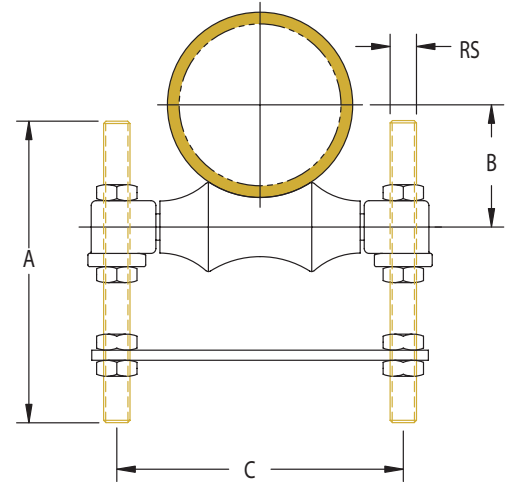


## PIPE ROLLER 620

### Adjustable Pipe Roll Support

- Size Range: 2-1/2" thru 30"
- Surface Finish: Black
- Support pipe from a substructure or structural member where longitudinal movement may occur due to expansion or contraction and where vertical adjustment of up to 6" may be necessary
- Conforms with Federal Specification WW-H-171 (Type 42), Manufacturers Standardization Society ANSI/MSS-SP-58 (Type 41); install in accordance with ANSI/MSS-SP-69

**NOTE:** Roll and sockets are cast iron and axle is carbon steel, available with Electro-zinc plated finish by special order



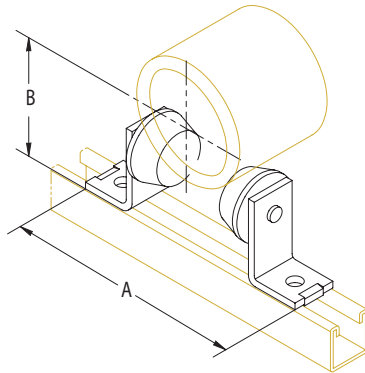
| Part Number | Pipe Size | RS     | A   | B         | C        | Max. Rec. Load (lbs) |
|-------------|-----------|--------|-----|-----------|----------|----------------------|
| 6200250PL   | 2-1/2"    | 1/2"   | 12" | 1-7/8"    | 4-7/8"   | 660                  |
| 6200300PL   | 3"        | 1/2"   | 12" | 2-1/4"    | 5-5/8"   | 700                  |
| 6200350PL   | 3-1/2"    | 1/2"   | 12" | 2-5/8"    | 6-1/8"   | 750                  |
| 6200400PL   | 4"        | 5/8"   | 12" | 2-7/8"    | 6-11/16" | 750                  |
| 6200500PL   | 5"        | 5/8"   | 12" | 3-1/2"    | 7-15/16" | 750                  |
| 6200600PL   | 6"        | 3/4"   | 12" | 4"        | 9-9/16"  | 1070                 |
| 6200800PL   | 8"        | 7/8"   | 12" | 5-1/4"    | 12"      | 1350                 |
| 6201000PL   | 10"       | 7/8"   | 12" | 6-5/16"   | 14"      | 1730                 |
| 6201200PL   | 12"       | 7/8"   | 12" | 7-7/16"   | 15-3/4"  | 2400                 |
| 6201400PL   | 14"       | 1"     | 12" | 8-3/8"    | 17-5/8"  | 3130                 |
| 6201600PL   | 16"       | 1"     | 18" | 9-7/16"   | 19-5/16" | 3970                 |
| 6201800PL   | 18"       | 1"     | 18" | 10-7/16"  | 21-5/8"  | 4200                 |
| 6202000PL   | 20"       | 1-1/4" | 18" | 11-1/2"   | 24-1/8"  | 4550                 |
| 6202400PL   | 24"       | 1-1/2" | 24" | 13-15/16" | 28-3/8"  | 6060                 |
| 6203000PL   | 30"       | 1-1/2" | 24" | 17-1/4"   | 35-3/8"  | 7290                 |



## Strut Pipe Roller ROL12

### Pipe Roller for 1" thru 4" Pipe

- Size Range: 1" thru 4" pipe
- Surface Finish: Electro-zinc plated
- Pipe rollers which mount to strut for applications where there is longitudinal pipe movement

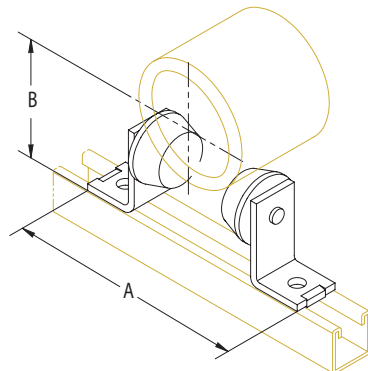


See chart on page 143

## Strut Pipe Roller ROL13

### Pipe Roller for 4" thru 8" Pipe

- Size Range: 4" thru 8" pipe
- Surface Finish: Electro-zinc plated
- Pipe rollers which mount to strut for applications where there is longitudinal pipe movement



See chart on page 143

### Fitting specifications for strut-mounted rollers ROL12-ROL15 (unless noted otherwise):

- Hole Sizes:  $9/16"$ , Spacing  $13/16"$  from edge and  $1-7/8"$  on center
- Width:  $1-5/8"$
- Thickness  $1/4"$
- Surface Finish: Electro-zinc plated



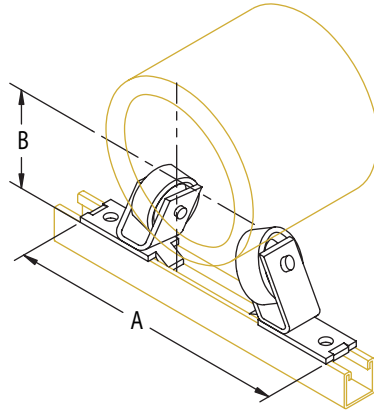
| ROL12 & ROL13 Sizing Chart |               |                           |             |               |         |          |
|----------------------------|---------------|---------------------------|-------------|---------------|---------|----------|
| Pipe Size                  | Saddle Number | Actual Covering Thickness | Actual O.D. | Actual Radius | A       | B        |
| 3/4                        | None          | 0"                        | 11/16"      | 17/32"        | 6-1/2"  | 2-15/16" |
|                            | 630           | 7/8"                      | 3-1/4"      | 1-5/8"        | 6-1/2"  | 4-1/8"   |
|                            | 631           | 1-7/16"                   | 4-3/8"      | 2-3/16"       | 8-1/4"  | 4-7/16"  |
|                            | 632           | 1-7/8"                    | 5-1/16"     | 2-17/32"      | 8-1/4"  | 4-13/16" |
| 1                          | None          | 0"                        | 15/16"      | 21/32"        | 6-1/2"  | 3-1/8"   |
|                            | 630           | 11/16"                    | 3-5/8"      | 1-13/16"      | 7-1/4"  | 4-1/4"   |
|                            | 631           | 1-9/16"                   | 4-5/8"      | 2-5/16"       | 8-1/4"  | 4-9/16"  |
|                            | 632           | 2-1/8"                    | 5-3/4"      | 2-7/8"        | 8-1/4"  | 5-1/8"   |
| 1-1/4                      | None          | 0"                        | 1-11/16"    | 27/32"        | 6-1/2"  | 3-5/16"  |
|                            | 630           | 7/8"                      | 3-7/8"      | 1-15/16"      | 7-1/4"  | 4-5/16"  |
|                            | 631           | 1-5/8"                    | 5-1/8"      | 2-9/16"       | 8-1/4"  | 4-13/16" |
|                            | 632           | 1-15/16"                  | 6"          | 3"            | 8-1/4"  | 5-1/4"   |
|                            | 633           | 2-7/16"                   | 6-7/8"      | 3-7/16"       | 9-1/4"  | 5-5/8"   |
|                            | 634           |                           |             |               |         |          |
| 1-1/2                      | None          | 0"                        | 1-7/8"      | 15/16"        | 6-1/2"  | 3-3/8"   |
|                            | 630           | 1"                        | 4-1/4"      | 2-1/8"        | 8-1/4"  | 4-3/8"   |
|                            | 631           | 1-1/2"                    | 5-1/4"      | 2-5/8"        | 8-1/4"  | 4-7/8"   |
|                            | 632           | 2-5/16"                   | 6-7/8"      | 3-7/16"       | 9-1/4"  | 5-9/16"  |
|                            | 633           | 2-13/16"                  | 7-3/4"      | 3-7/8"        | 9-1/4"  | 6"       |
| 2                          | None          | 0"                        | 2-3/8"      | 1-3/16"       | 6-1/2"  | 3-11/16" |
|                            | 630           | 1-1/16"                   | 4-3/4"      | 2-3/8"        | 8-1/4"  | 4-5/8"   |
|                            | 631           | 1-9/16"                   | 5-3/4"      | 2-7/8"        | 8-1/4"  | 5-1/8"   |
|                            | 632           | 2-1/8"                    | 7-1/8"      | 3-9/16"       | 9-1/4"  | 5-11/16" |
|                            | 633           | 2-5/8"                    | 8-1/8"      | 4-1/16"       | 10-1/8" | 6-1/16"  |
|                            | 634           | 3-1/8"                    | 9-1/8"      | 4-9/16"       | 10-1/8" | 6-5/8"   |
| 2-1/2                      | None          | 0"                        | 2-7/8"      | 1-7/16"       | 6-1/2"  | 3-15/16" |
|                            | 630           | 1-1/16"                   | 5-3/8"      | 2-11/16"      | 8-1/4"  | 4-15/16" |
|                            | 631           | 1-7/16"                   | 6-1/8"      | 3-1/16"       | 9-1/4"  | 5-1/4"   |
|                            | 632           | 2-5/16"                   | 7-7/8"      | 3-15/16"      | 9-1/4"  | 6-1/8"   |
|                            | 633           | 2-7/8"                    | 9"          | 4-1/2"        | 9-1/4"  | 6-3/4"   |
|                            | 634           | 3-3/8"                    | 10"         | 5"            | 9-1/4"  | 7-1/4"   |
| 3                          | None          | 0"                        | 3-1/2"      | 1-3/4"        | 7-1/4"  | 4-1/8"   |
|                            | 630           | 1"                        | 5-7/8"      | 2-15/16"      | 8-1/4"  | 5-1/4"   |
|                            | 631           | 1-9/16"                   | 7"          | 3-1/2"        | 9-1/4"  | 5-5/8"   |
|                            | 632           | 2-1/16"                   | 8"          | 4"            | 10-1/8" | 6-1/16"  |
|                            | 633           | 2-9/16"                   | 9"          | 4-1/2"        | 10-1/8" | 6-5/8"   |
|                            | 634           | 3-1/16"                   | 10"         | 5"            | 10-7/8" | 7"       |
| 3-1/2                      | None          | 0"                        | 4"          | 2"            | 7-1/4"  | 4-3/8"   |
|                            | 630           | 1-1/4"                    | 6-7/8"      | 3-7/16"       | 9-1/4"  | 5-1/2"   |
|                            | 631           | 1-13/16"                  | 8"          | 4"            | 9-1/4"  | 6-1/8"   |
|                            | 632           | 2-1/4"                    | 8-7/8"      | 4-7/16"       | 10-1/8" | 6-9/16"  |
|                            | 633           | 2-3/4"                    | 9-7/8"      | 4-15/16"      | 10-1/8" | 7"       |
|                            | 634           | 3-5/16"                   | 11"         | 5-1/2"        | 10-7/8" | 7-7/16"  |
| 4                          | None          | 0"                        | 4-1/2"      | 2-1/4"        | 8-1/4"  | 4-1/2"   |
|                            | 630           | 1-1/16"                   | 7-1/8"      | 3-9/16"       | 9-1/4"  | 5-11/16" |
|                            | 631           | 1-9/16"                   | 8-1/8"      | 4-1/16"       | 10-1/8" | 6-1/16"  |
|                            | 632           | 2-1/16"                   | 9-1/8"      | 4-9/16"       | 10-1/8" | 6-5/8"   |
|                            | 633           | 2-9/16"                   | 10"         | 5"            | 10-1/8" | 7-1/16"  |
|                            | 634           | 3-1/16"                   | 11-1/4"     | 5-5/8"        | 10-7/8" | 7-5/8"   |
| 5                          | 635           | 4-1/16"                   | 13"         | 6-1/2"        | 10-7/8" | 8-9/16"  |
|                            | None          | 0"                        | 5-5/8"      | 2-13/16"      | 8-1/4"  | 5-1/16"  |
|                            | 630           | 1"                        | 8-1/4"      | 4-1/8"        | 10-1/8" | 6-1/8"   |
|                            | 631           | 1-1/2"                    | 9-3/8"      | 4-11/16"      | 10-1/8" | 6-11/16" |
|                            | 632           | 2"                        | 10-3/8"     | 5-3/16"       | 10-7/8" | 7"       |
|                            | 633           | 2-9/16"                   | 11-1/4"     | 5-5/8"        | 10-7/8" | 7-5/8"   |
| 6                          | 634           | 3-1/16"                   | 12-3/8"     | 6-3/16"       | 10-7/8" | 8-1/8"   |
|                            | 635           | 4-3/16"                   | 14-1/4"     | 7-1/8"        | 10-7/8" | 9-3/16"  |
|                            | None          | 0"                        | 6-5/8"      | 3-5/16"       | 9-1/4"  | 5-7/16"  |
|                            | 630           | 1"                        | 9"          | 4-1/2"        | 10-1/8" | 6-9/16"  |
|                            | 631           | 1-1/2"                    | 10-1/8"     | 5-1/16"       | 10-7/8" | 7"       |
|                            | 632           | 2"                        | 11"         | 5-1/2"        | 10-7/8" | 7-1/2"   |
| 8                          | 633           | 2-1/2"                    | 12-3/8"     | 6-3/16"       | 10-7/8" | 8-3/16"  |
|                            | 634           | 3"                        | 13-1/2"     | 6-3/4"        | 10-7/8" | 8-5/8"   |
|                            | 635           | 4-1/8"                    | 15-1/8"     | 7-9/16"       | 10-7/8" | 9-11/16" |
|                            | None          | 0"                        | 8-5/8"      | 4-5/16"       | 10-1/8" | 6-3/8"   |
|                            | 631           | 1-1/2"                    | 12"         | 6"            | 10-7/8" | 8"       |
| 8                          | 632           | 2"                        | 13"         | 6-1/2"        | 10-7/8" | 8-9/16"  |
|                            | 633           | 2-11/16"                  | 14-1/2"     | 7-1/4"        | 10-7/8" | 9-5/16"  |
|                            | 634           | 3-1/8"                    | 15-3/8"     | 7-11/16"      | 10-7/8" | 9-13/16" |
|                            | 635           | 4-1/8"                    | 17-3/8"     | 8-11/16"      | 10-7/8" | 10-7/8"  |



## Strut Pipe Roller ROL14

### Pipe Roller for 6" thru 16" Pipe

- Size Range: 6" thru 16" pipe
- Surface Finish: Electro-zinc plated
- Pipe rollers which mount to strut for applications where there is longitudinal pipe movement



ROL14 Sizing Chart

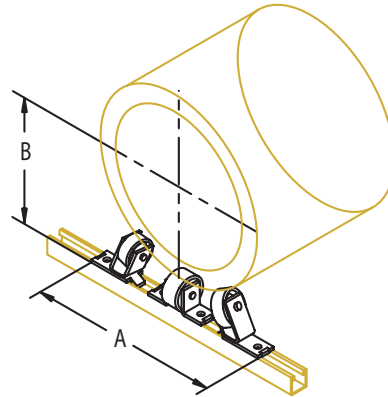
| Pipe Size | Saddle Number | Actual Covering Thickness | Actual O.D. | Actual Radius | A         | B         |
|-----------|---------------|---------------------------|-------------|---------------|-----------|-----------|
| 6         | None          | 0"                        | 6-5/8"      | 3-5/16"       | 9-9/16"   | 6-7/8"    |
|           | 630           | 1"                        | 9"          | 4-1/8"        | 10-3/16"  | 7-7/8"    |
|           | 631           | 1-1/2"                    | 10"         | 5"            | 10-5/8"   | 8-3/8"    |
|           | 632           | 2"                        | 11"         | 5-1/2"        | 11"       | 8-7/8"    |
|           | 633           | 2-1/2"                    | 12"         | 6"            | 11-3/8"   | 9-3/8"    |
|           | 634           | 3"                        | 13"         | 6-1/2"        | 11-3/4"   | 9-7/8"    |
|           | 635           | 4-1/8"                    | 15-1/4"     | 7-5/8"        | 12-1/2"   | 10-15/16" |
| 8         | None          | 0"                        | 8-5/8"      | 4-5/16"       | 10-1/4"   | 7-13/16"  |
|           | 631           | 1-1/2"                    | 12"         | 6"            | 11-3/8"   | 9-3/8"    |
|           | 632           | 2"                        | 13"         | 6-1/2"        | 11-3/4"   | 9-7/8"    |
|           | 633           | 2-11/16"                  | 14-3/8"     | 7-3/16"       | 12-3/16"  | 10-7/16"  |
|           | 634           | 3-1/8"                    | 15-1/4"     | 7-5/8"        | 12-1/2"   | 10-15/16" |
|           | 635           | 4-1/8"                    | 17-1/4"     | 8-5/8"        | 13-1/4"   | 11-7/8"   |
|           | 10            | None                      | 0"          | 10-3/4"       | 5-3/8"    | 11"       |
| 631       |               | 1-1/2"                    | 14-1/4"     | 7-1/8"        | 12-1/8"   | 10-7/16"  |
| 632       |               | 2-1/16"                   | 15-1/4"     | 7-5/8"        | 12-1/2"   | 10-15/16" |
| 633       |               | 2-9/16"                   | 16-1/4"     | 8-1/8"        | 12-13/16" | 11-3/8"   |
| 634       |               | 3-1/16"                   | 17-1/4"     | 8-5/8"        | 13-1/8"   | 11-7/8"   |
| 635       |               | 4-1/16"                   | 19-1/4"     | 9-3/4"        | 13-7/8"   | 12-13/16" |
| 12        |               | None                      | 0"          | 12-3/4"       | 6-3/8"    | 11-11/16" |
|           | 631           | 1-9/16"                   | 16-1/8"     | 8-1/16"       | 12-7/8"   | 11-3/8"   |
|           | 632           | 2-1/16"                   | 17-1/4"     | 8-5/8"        | 13-1/4"   | 11-7/8"   |
|           | 633           | 2-5/8"                    | 18-1/4"     | 9-1/8"        | 13-9/16"  | 12-5/16"  |
|           | 634           | 3-1/16"                   | 19-1/4"     | 9-5/8"        | 13-7/8"   | 12-13/16" |
|           | 635           | 4-1/8"                    | 21-3/8"     | 10-11/16"     | 14-5/8"   | 13-3/4"   |
|           | 14            | None                      | 0"          | 14"           | 7"        | 12-1/16"  |
| 631       |               | 1-1/2"                    | 17-1/2"     | 8-3/4"        | 13-3/16"  | 11-7/8"   |
| 632       |               | 2"                        | 18-3/8"     | 9-3/16"       | 13-9/16"  | 12-5/16"  |
| 633       |               | 2-1/2"                    | 19-3/8"     | 9-11/16"      | 13-7/8"   | 12-13/16" |
| 634       |               | 3"                        | 20-3/8"     | 10-3/16"      | 14-1/4"   | 13-1/4"   |
| 635       |               | 4"                        | 22-3/8"     | 11-3/16"      | 14-7/8"   | 14-1/4"   |
| 16        |               | None                      | 0"          | 16"           | 8"        | 12-3/4"   |
|           | 631           | 1-1/2"                    | 19-5/8"     | 9-13/16"      | 13-7/8"   | 12-13/16" |
|           | 632           | 2"                        | 20-3/8"     | 10-3/16"      | 14-13/16" | 13-1/4"   |
|           | 633           | 2-1/2"                    | 21-5/8"     | 10-13/16"     | 14-1/2"   | 13-3/4"   |
|           | 634           | 3"                        | 22-1/8"     | 11-1/16"      | 14-7/8"   | 14-1/4"   |
|           | 635           | 4"                        | 24-3/8"     | 12-3/16"      | 15-1/2"   | 15-1/8"   |



## Strut Pipe Roller ROL15

### Pipe Roller for 16" thru 24" Pipe

- Size Range: 16" thru 24" pipe
- Surface Finish: Electro-zinc plated
- Pipe rollers which mount to strut for applications where there is longitudinal pipe movement



**ROL15 Sizing Chart**

| Pipe Size | Saddle Number | Actual Covering Thickness | Actual O.D. | Actual Radius | A         | B         |
|-----------|---------------|---------------------------|-------------|---------------|-----------|-----------|
| 18        | None          | 0"                        | 18"         | 9"            | 15-1/2"   | 11-7/8"   |
|           | 631           | 1-1/2"                    | 21-3/8"     | 10-11/16"     | 16-3/16"  | 13-7/16"  |
|           | 632           | 2"                        | 22-3/8"     | 11-3/16"      | 16-3/8"   | 13-15/16" |
|           | 633           | 2-1/2"                    | 23-3/8"     | 11-11/16"     | 16-9/16"  | 14-7/16"  |
|           | 634           | 3"                        | 24-3/8"     | 12-3/16"      | 16-3/4"   | 14-15/16" |
|           | 635           | 4"                        | 26-3/8"     | 13-3/16"      | 17-3/16"  | 15-15/16" |
| 20        | None          | 0"                        | 20"         | 10"           | 16"       | 12-3/16"  |
|           | 631           | 1-1/2"                    | 23-3/8"     | 11-11/16"     | 16-9/16"  | 14-7/16"  |
|           | 632           | 2"                        | 24-3/8"     | 12-3/16"      | 16-7/8"   | 14-7/8"   |
|           | 633           | 2-1/2"                    | 25-3/8"     | 12-11/16"     | 16-15/16" | 15-7/16"  |
|           | 634           | 3"                        | 26-3/8"     | 13-3/16"      | 17-3/16"  | 15-7/8"   |
|           | 635           | 4"                        | 28-3/8"     | 14-3/16"      | 17-1/2"   | 16-15/16" |
| 24        | None          | 0"                        | 24"         | 12"           | 16-13/16" | 14-13/16" |
|           | 631           | 1-1/2"                    | 27-1/2"     | 13-3/4"       | 17-1/2"   | 16-3/8"   |
|           | 632           | 2"                        | 28-1/2"     | 14-1/4"       | 17-1/2"   | 16-7/8"   |
|           | 633           | 2-1/2"                    | 29-1/2"     | 14-3/4"       | 17-11/16" | 17-3/8"   |
|           | 634           | 3"                        | 30-1/2"     | 15-1/4"       | 17-7/8"   | 17-7/8"   |
|           | 635           | 4"                        | 32-1/2"     | 16-1/4"       | 18-1/8"   | 18-7/8"   |
| 30        | special order | 0"                        | 30"         | 15"           | 17-13/16" | 17-13/16" |



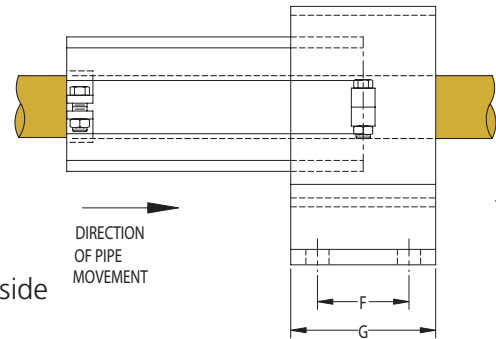
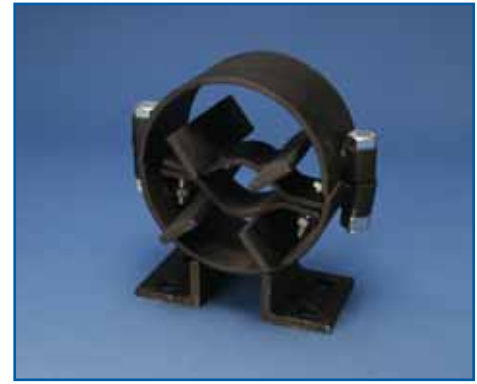
## PIPE GUIDE 650

### Pipe Alignment Guide

- Size Range: 1/2" thru 24"
- Surface Finish: Painted, color may vary
- Maintaining pipe alignment during longitudinal expansion or contraction cycles of hot systems
- Available in HD finish by special order, when ordering must specify:
  1. Pipe Size
  2. Insulation Thickness

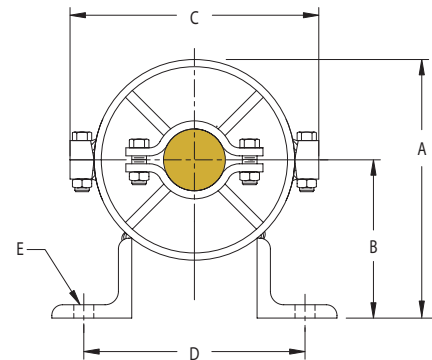
#### NOTE:

1. Pipe alignment guides are not designed to be load bearing
2. Maximum Pipe Movement:
  - 1" thru 6" pipe: 6" movement
  - 8" thru 16" pipe: 8" movement
  - 18" thru 24" pipe: 10" movement
3. Use minimum of two guides per run and locate first guide 4" pipe diameters from expansion joint or loop
4. One half of internal "spider" pipe clamp assembly remains inside guide housing at installation. Protruding portion of clamp assembly must be toward anchored end of pipe or toward direction from which pipe movement will occur
5. Special guides with longer travels are available upon request



**GUIDE SIZE SELECTION CHART**

| Pipe Size | Insulation Thickness |        |    |        |    |        |    |
|-----------|----------------------|--------|----|--------|----|--------|----|
|           | 1"                   | 1-1/2" | 2" | 2-1/2" | 3" | 3-1/2" | 4" |
| 1/2"      | 1                    | 1      | 2  | 3      | 4  | 4      | 5  |
| 3/4"      | 1                    | 2      | 3  | 4      | 4  | 5      | 5  |
| 1"        | 1                    | 2      | 3  | 4      | 4  | 5      | 5  |
| 1-1/4"    | 1                    | 2      | 3  | 4      | 4  | 5      | 5  |
| 1-1/2"    | 2                    | 2      | 3  | 4      | 4  | 5      | 5  |
| 2"        | 2                    | 3      | 4  | 4      | 5  | 5      | 6  |
| 2-1/2"    | 3                    | 3      | 4  | 4      | 5  | 5      | 6  |
| 3"        | 3                    | 4      | 4  | 5      | 5  | 6      | 6  |
| 4"        | 4                    | 4      | 5  | 5      | 6  | 6      | 7  |
| 5"        | 5                    | 5      | 5  | 6      | 6  | 7      | 8  |
| 6"        | 5                    | 5      | 6  | 6      | 7  | 8      | 8  |
| 8"        | 6                    | 6      | 7  | 8      | 8  | 9      | 9  |
| 10"       | 8                    | 8      | 8  | 9      | 9  | 10     | 10 |
| 12"       | 9                    | 9      | 9  | 10     | 10 | 11     | 12 |
| 14"       | 10                   | 10     | 10 | 10     | 11 | 11     | 12 |
| 16"       | 11                   | 11     | 11 | 11     | 12 | 12     | 13 |
| 18"       | 12                   | 12     | 12 | 12     | 13 | 13     | 14 |
| 20"       | 13                   | 13     | 13 | 13     | 14 | 14     | 14 |
| **24"     | 14                   | 14     | 14 | 14     | -  | -      | -  |



INSULATION NOT INCLUDED

\*\* Max. 2-1/2" insulation



## PIPE GUIDE 650 (Cont.)

| Part Number*  | Guide Size | A       | B       | C       | D       | E      | F      | G  | Max. Allowable Movement |
|---------------|------------|---------|---------|---------|---------|--------|--------|----|-------------------------|
| 6500100'XX'PT | 1          | 5-3/4"  | 3-1/2"  | 6-1/8"  | 4-1/4"  | 5/8"   | 1-3/4" | 3" | 6"                      |
| 6500200'XX'PT | 2          | 6-3/4"  | 4"      | 7-1/8"  | 4-1/2"  | 5/8"   | 1-3/4" | 3" | 6"                      |
| 6500300'XX'PT | 3          | 7-5/8"  | 4-3/8"  | 8-1/8"  | 5-1/4"  | 5/8"   | 1-3/4" | 3" | 6"                      |
| 6500400'XX'PT | 4          | 9-1/2"  | 5-1/4"  | 10-1/8" | 6-1/4"  | 5/8"   | 1-3/4" | 3" | 6"                      |
| 6500500'XX'PT | 5          | 11-3/4" | 6-1/4"  | 12-1/8" | 7-1/4"  | 5/8"   | 2-3/4" | 4" | 6"                      |
| 6500600'XX'PT | 6          | 13-3/8" | 7-1/4"  | 14-1/8" | 8-1/4"  | 5/8"   | 2-3/4" | 4" | 6"                      |
| 6500700'XX'PT | 7          | 15"     | 8"      | 16-1/8" | 10"     | 3/4"   | 4"     | 6" | 8"                      |
| 6500800'XX'PT | 8          | 17"     | 9"      | 18-1/8" | 11"     | 3/4"   | 4"     | 6" | 8"                      |
| 6500900'XX'PT | 9          | 18-3/4" | 9-3/4"  | 20-1/8" | 12"     | 3/4"   | 4"     | 6" | 8"                      |
| 6501000'XX'PT | 10         | 21-1/8" | 11-1/8" | 22-1/8" | 13-1/2" | 7/8"   | 6"     | 8" | 8"                      |
| 6501100'XX'PT | 11         | 23-1/8" | 12-1/8" | 24-1/8" | 14-1/2" | 7/8"   | 6"     | 8" | 8"                      |
| 6501200'XX'PT | 12         | 25"     | 13"     | 26-1/8" | 15-1/2" | 7/8"   | 6"     | 8" | 8"                      |
| 6501300'XX'PT | 13         | 27-3/4" | 14-3/4" | 28-1/8" | 17-1/2" | 1-1/8" | 6"     | 8" | 10"                     |
| 6501400'XX'PT | 14         | 31-1/2" | 16-1/2" | 32-1/8" | 19-1/2" | 1-1/8" | 6"     | 8" | 10"                     |

\*'XX' in part number indicates insulation thickness:

- 10 = 1" insulation
- 15 = 1-1/2" insulation
- 20 = 2" insulation
- 25 = 2-1/2" insulation
- 30 = 3" insulation
- 35 = 3-1/2" insulation
- 40 = 4" insulation



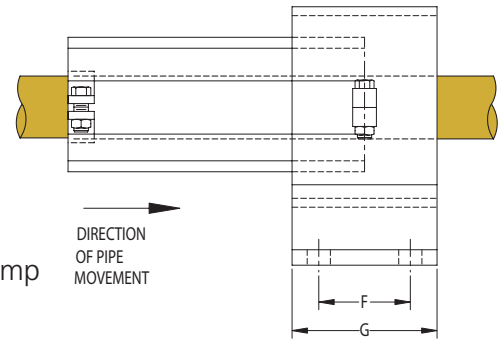
## PIPE GUIDE 651

### Pre-Insulated Pipe Alignment Guide

- Size Range: 1/2" thru 18"
- Surface Finish: Painted, color may vary
- Maintaining pipe alignment during longitudinal expansion or contraction cycles of vapor barrier covered insulated pipe
- Carbon steel with painted finish, calcium silicate insulation

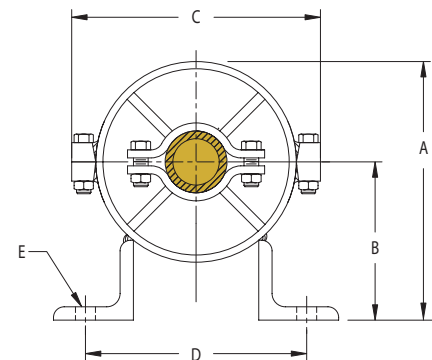
#### NOTE:

1. Pipe alignment guides are not designed to be load bearing
2. Maximum Pipe Movement:
  - 1" thru 6" pipe: 6" movement
  - 8" thru 16" pipe: 8" movement
  - 18" thru 24" pipe: 10" movement
3. Use minimum of two guides per run and locate first guide 4 pipe diameters from expansion joint or loop
4. One half of internal "spider" pipe clamp assembly remains inside guide housing at installation. Protruding portion of clamp assembly must be toward anchored end of pipe or toward direction from which pipe movement will occur
5. Special guides with longer travels are available upon request



#### GUIDE SIZE SELECTION CHART

| Pipe Size | Insulation Thickness |    |        |    |        |    |
|-----------|----------------------|----|--------|----|--------|----|
|           | 1-1/2"               | 2" | 2-1/2" | 3" | 3-1/2" | 4" |
| 1/2"      | 1                    | 2  | 2      | 3  | 3      | 4  |
| 3/4"      | 1                    | 2  | 2      | 3  | 3      | 4  |
| 1"        | 1                    | 2  | 2      | 3  | 3      | 4  |
| 1-1/4"    | 2                    | 2  | 3      | 3  | 4      | 4  |
| 1-1/2"    | 2                    | 2  | 3      | 3  | 4      | 4  |
| 2"        | 2                    | 3  | 3      | 4  | 4      | 4  |
| 2-1/2"    | 2                    | 2  | 2      | 4  | 4      | 5  |
| 3"        | 3                    | 3  | 4      | 4  | 5      | 5  |
| 4"        | 3                    | 4  | 4      | 5  | 5      | 6  |
| 5"        | 4                    | 4  | 5      | 5  | 6      | 6  |
| 6"        | 4                    | 5  | 5      | 6  | 6      | 7  |
| 8"        | 5                    | 6  | 6      | 7  | 7      | 8  |
| 10"       | 7                    | 7  | 7      | 8  | 8      | 9  |
| 12"       | 8                    | 8  | 8      | 9  | 9      | 10 |
| 14"       | 8                    | 9  | 9      | 10 | 10     | 11 |
| 16"       | 9                    | 10 | 10     | 11 | 11     | 12 |
| 18"       | 10                   | 11 | 11     | 12 | 12     | 12 |



## PIPE GUIDE 651 (Cont.)

| Part Number*  | Guide Size | A       | B       | C       | D       | E      | F      | G  | Max. Allowable Movement |
|---------------|------------|---------|---------|---------|---------|--------|--------|----|-------------------------|
| 6510100'XX'PT | 1          | 7-5/8"  | 4-3/8"  | 8"      | 5-1/2"  | 5/8"   | 1-3/4" | 3" | 6"                      |
| 6510200'XX'PT | 2          | 9-1/2"  | 5-1/4"  | 10-3/8" | 6-1/4"  | 5/8"   | 1-3/4" | 3" | 6"                      |
| 6510300'XX'PT | 3          | 11-5/8" | 6-1/4"  | 12-1/2" | 7-1/4"  | 5/8"   | 2-3/4" | 4" | 6"                      |
| 6510400'XX'PT | 4          | 13-5/8" | 7-1/4"  | 14-1/2" | 8-1/4"  | 5/8"   | 2-3/4" | 4" | 6"                      |
| 6510500'XX'PT | 5          | 15"     | 8"      | 15-3/4" | 10"     | 3/4"   | 4"     | 6" | 6"                      |
| 6510600'XX'PT | 6          | 17"     | 9"      | 17-3/4" | 11"     | 3/4"   | 4"     | 6" | 8"                      |
| 6510700'XX'PT | 7          | 18-3/4" | 9-3/4"  | 20-1/8" | 12"     | 3/4"   | 4"     | 6" | 8"                      |
| 6510800'XX'PT | 8          | 21-1/8" | 11-1/8" | 22-1/8" | 13-1/2" | 3/4"   | 4"     | 6" | 8"                      |
| 6510900'XX'PT | 9          | 23-1/2" | 12-1/8" | 24-1/8" | 14-1/2" | 7/8"   | 6"     | 8" | 8"                      |
| 6511000'XX'PT | 10         | 25"     | 13"     | 26-5/8" | 15-1/2" | 7/8"   | 6"     | 8" | 8"                      |
| 6511100'XX'PT | 11         | 27-3/4" | 14-3/4" | 28-5/8" | 17-1/2" | 1-1/8" | 6"     | 8" | 8"                      |
| 6511200'XX'PT | 12         | 31-1/2" | 16-1/2" | 32-5/8" | 19-1/2" | 1-1/8" | 6"     | 8" | 10"                     |

\*'XX' in part number indicates insulation thickness:

- 10 = 1" insulation
- 15 = 1-1/2" insulation
- 20 = 2" insulation
- 25 = 2-1/2" insulation
- 30 = 3" insulation
- 35 = 3-1/2" insulation
- 40 = 4" insulation



## PIPE SUPPORT 721

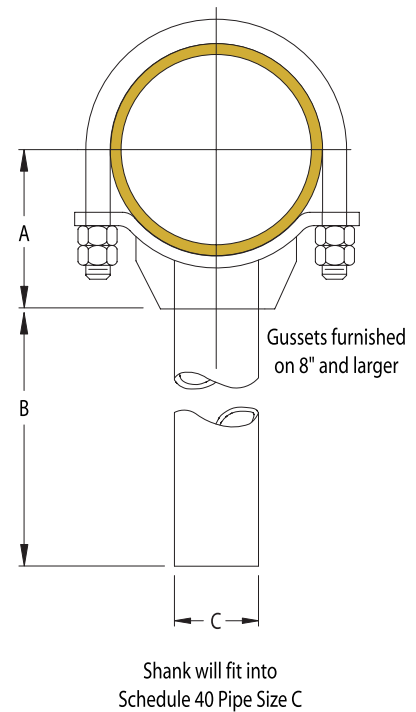
### Saddle Support with U-bolt

- Size Range: 2-1/2" thru 36"
- Surface Finish: Black
- Stanchion type support where vertical adjustment is not needed
- U-bolt provides additional stability
- Conforms with Federal Specification WW-H-171 (Type 37, 38), Manufacturers Standardization Society ANSI/MSS-SP-58 (Type 37); install in accordance with ANSI/MSS-SP-69



**NOTE:** Base not included

| Part Number | Pipe Size | A         | B  | C (NPS) |
|-------------|-----------|-----------|----|---------|
| 7210250PL   | 2-1/2"    | 3-1/8"    | 4" | 1-1/2"  |
| 7210300PL   | 3"        | 3-7/16"   | 4" | 1-1/2"  |
| 7210400PL   | 4"        | 4-1/4"    | 4" | 2-1/2"  |
| 7210500PL   | 5"        | 4-9/16"   | 4" | 2-1/2"  |
| 7210600PL   | 6"        | 5-1/2"    | 4" | 2-1/2"  |
| 7210800PL   | 8"        | 7"        | 4" | 2-1/2"  |
| 7211000PL   | 10"       | 8"        | 4" | 2-1/2"  |
| 7211200PL   | 12"       | 9-3/16"   | 4" | 2-1/2"  |
| 7211400PL   | 14"       | 10-9/16"  | 4" | 3"      |
| 7211600PL   | 16"       | 11-9/16"  | 4" | 3"      |
| 7211800PL   | 18"       | 13-9/16"  | 4" | 4"      |
| 7212000PL   | 20"       | 14-9/16"  | 4" | 4"      |
| 7212400PL   | 24"       | 16-9/16"  | 4" | 4"      |
| 7212600PL   | 26"       | 17-9/16"  | 4" | 4"      |
| 7213000PL   | 30"       | 20-11/16" | 4" | 4"      |
| 7213200PL   | 32"       | 21-11/16" | 4" | 4"      |
| 7213600PL   | 36"       | 23-11/16" | 4" | 4"      |



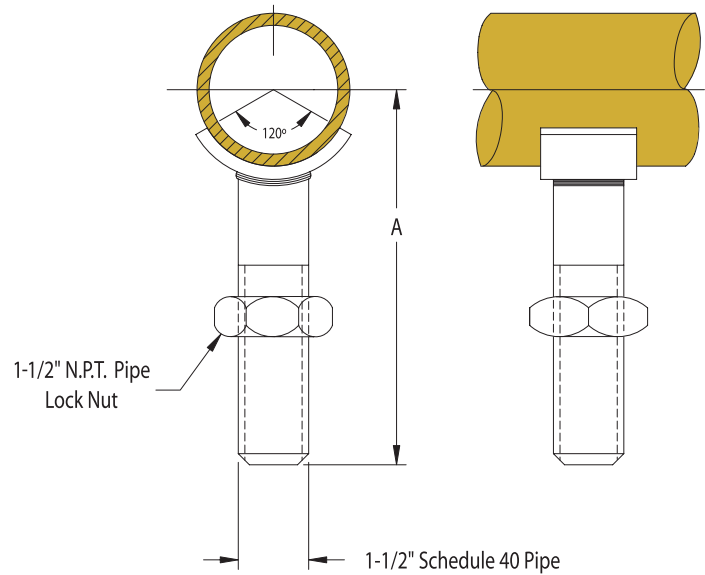
## PIPE SUPPORT 722

### Adjustable Pipe Support

- Size Range: 4", 6", 8", and 10"
- Surface Finish: Black
- N.P.T. pipe welded to pipe saddle with a N.P.T. pipe lock nut allowing for vertical adjustment in the pipe stanchion
- Conforms with Federal Specification WW-H-171 (Type 39), Manufacturers Standardization Society ANSI/MSS-SP-58 (Type 38); install in accordance with ANSI/MSS-SP-69



| Part Number | Pipe Size | A         |
|-------------|-----------|-----------|
| 7220400PL   | 4"        | 10-5/8"   |
| 7220600PL   | 6"        | 11-11/16" |
| 7220800PL   | 8"        | 12-11/16" |
| 7221000PL   | 10"       | 13-3/4"   |



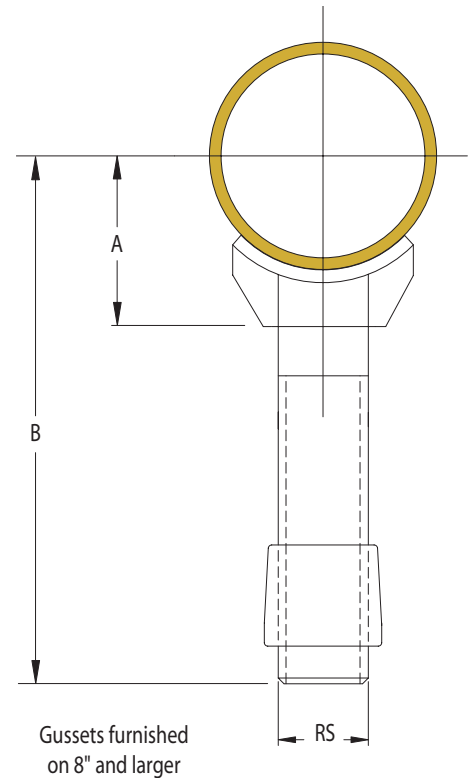
## PIPE SUPPORT 723

### Adjustable Pipe Support Assembly

- Size Range: 2-1/2" thru 36"
- Surface Finish: Black
- Supports horizontal pipe from stanchions where vertical adjustment is needed
- Conforms with Federal Specification WW-H-171 (Type 38, 39), Manufacturers Standardization Society ANSI/MSS-SP-58 (Type 38); install in accordance with ANSI/MSS-SP-69



| Part Number | Pipe Size | RS     | A        | Adjustment B |           |
|-------------|-----------|--------|----------|--------------|-----------|
|             |           |        |          | Min.         | Max.      |
| 7230250PL   | 2-1/2"    | 1-1/2" | 2-11/16" | 7-15/16"     | 12-7/16"  |
| 7230300PL   | 3"        | 1-1/2" | 2-7/8"   | 8-1/8"       | 12-5/8"   |
| 7230350PL   | 3-1/2"    | 1-1/2" | 3-1/8"   | 8-3/8"       | 12-7/8"   |
| 7230400PL   | 4"        | 2-1/2" | 3-3/4"   | 9-7/16"      | 13-15/16" |
| 7230500PL   | 5"        | 2-1/2" | 4-1/16"  | 9-3/4"       | 14-1/4"   |
| 7230600PL   | 6"        | 2-1/2" | 4-3/4"   | 10-7/16"     | 14-15/16" |
| 7230800PL   | 8"        | 2-1/2" | 6-11/16" | 12-3/8"      | 16-7/8"   |
| 7231000PL   | 10"       | 2-1/2" | 7-3/4"   | 13-7/16"     | 17-15/16" |
| 7231200PL   | 12"       | 2-1/2" | 8-3/4"   | 14-7/16"     | 18-15/16" |
| 7231400PL   | 14"       | 3"     | 10-3/4"  | 18-3/16"     | 22-11/16" |
| 7231600PL   | 16"       | 3"     | 11-3/4"  | 19-3/16"     | 23-11/16" |
| 7231800PL   | 18"       | 4"     | 13-1/2"  | 21-1/2"      | 26"       |
| 7232000PL   | 20"       | 4"     | 14-1/2"  | 22-1/2"      | 27"       |
| 7232400PL   | 24"       | 4"     | 17-3/4"  | 25-3/4"      | 30-1/4"   |
| 7232600PL   | 26"       | 4"     | 18-3/4"  | 26-3/4"      | 31-1/4"   |
| 7233000PL   | 30"       | 4"     | 20-7/8"  | 28-7/8"      | 33-7/8"   |
| 7233200PL   | 32"       | 4"     | 21-7/8"  | 29-7/8"      | 34-7/8"   |
| 7233600PL   | 36"       | 4"     | 23-7/8"  | 31-7/8"      | 36-3/8"   |



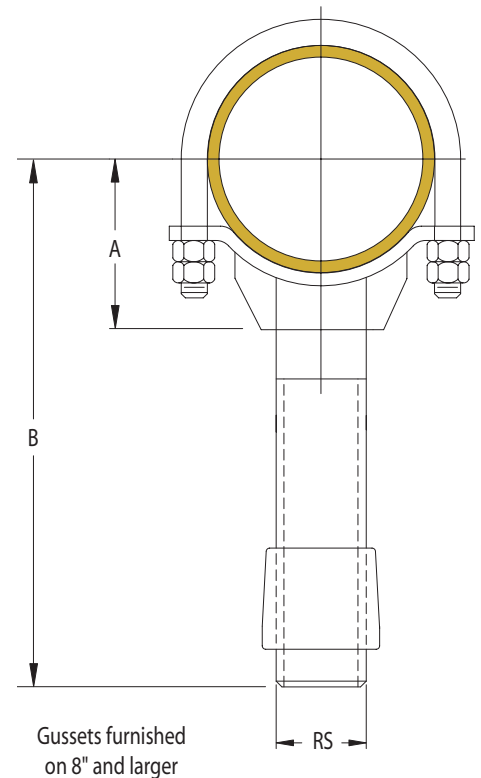
## PIPE SUPPORT 724

### Adjustable Pipe Support Assembly with U-bolt

- Size Range: 2-1/2" thru 36"
- Surface Finish: Black
- Supports horizontal pipe from stanchions where vertical adjustment is needed
- Conforms with Federal Specification WW-H-171 (Type 38, 39), Manufacturers Standardization Society ANSI/MSS-SP-58 (Type 37, 38); install in accordance with ANSI/MSS-SP-69



| Part Number | Part Size | RS     | A         | Adjustment B |           |
|-------------|-----------|--------|-----------|--------------|-----------|
|             |           |        |           | Min.         | Max.      |
| 7240250PL   | 2-1/2"    | 1-1/2" | 3-1/8"    | 8-3/8"       | 12-7/8"   |
| 7240300PL   | 3"        | 1-1/2" | 3-7/16"   | 8-11/16"     | 13-3/16"  |
| 7240350PL   | 3-1/2"    | 1-1/2" | 3-11/16"  | 8-15/16"     | 13-7/16"  |
| 7240400PL   | 4"        | 2-1/2" | 4-1/4"    | 9-15/16"     | 14-7/16"  |
| 7240500PL   | 5"        | 2-1/2" | 4-9/16"   | 10-1/4"      | 14-3/4"   |
| 7240600PL   | 6"        | 2-1/2" | 5-1/2"    | 11-3/16"     | 15-11/16" |
| 7240800PL   | 8"        | 2-1/2" | 7"        | 12-11/16"    | 17-3/16"  |
| 7241000PL   | 10"       | 2-1/2" | 8"        | 13-11/16"    | 18-3/16"  |
| 7241200PL   | 12"       | 2-1/2" | 9-3/16"   | 14-7/8"      | 19-3/8"   |
| 7241400PL   | 14"       | 3"     | 10-9/16"  | 18"          | 22-1/2"   |
| 7241600PL   | 16"       | 3"     | 11-9/16"  | 19"          | 23-1/2"   |
| 7241800PL   | 18"       | 4"     | 13-9/16"  | 21-9/16"     | 26-1/16"  |
| 7242000PL   | 20"       | 4"     | 14-9/16"  | 22-9/16"     | 27-1/16"  |
| 7242400PL   | 24"       | 4"     | 16-9/16"  | 24-9/16"     | 29-1/16"  |
| 7242600PL   | 26"       | 4"     | 17-9/16"  | 25-9/16"     | 30-1/16"  |
| 7243000PL   | 30"       | 4"     | 20-11/16" | 28-11/16"    | 33-3/16"  |
| 7243200PL   | 32"       | 4"     | 21-11/16" | 29-11/16"    | 34-3/16"  |
| 7243600PL   | 36"       | 4"     | 23-1/16"  | 31-11/16"    | 36-3/16"  |



**CADDY®**

# READY. SET. INSTALL.

The CADDY® SPEED LINK universal support system is a time-saving, cost-effective alternative to jack chain, threaded rod and associated hardware. A crimped-on hook at one end allows the wire rope to be quickly looped around a beam, hooked onto a fastener or attached to the suspended load. CADDY SPEED LINK meets the fire rating requirements for DIN 4102-2 for 30 minutes at 30 percent of rated load.

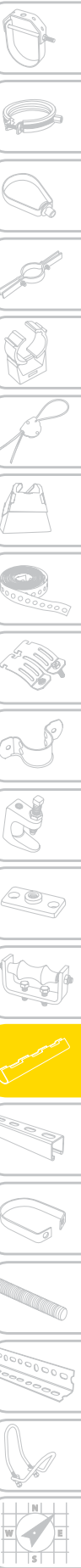
CADDY SPEED LINK's unique locking device ensures stability and allows for adjustment both during and after installation. CADDY SPEED LINK is available in 1m, 2m, 3m, 5m and 10m lengths.



1-800-333-0852  
www.erico.com

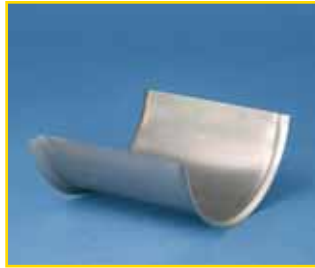
**ERICO®**





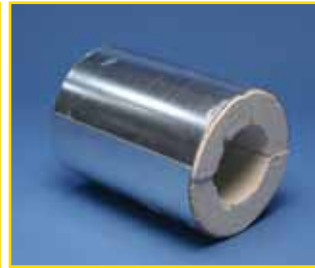
Page 156

**125**



Page 157

**121**



Page 158

**126**



Page 159

**127**



Page 160

**630**



Page 161

**631**



Page 162

**632**



Page 163

**633**



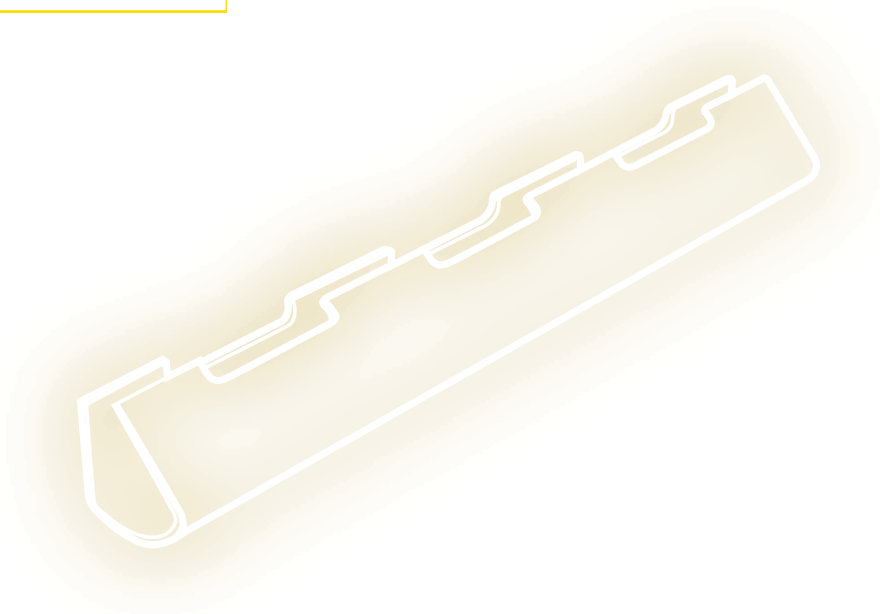
Page 164

**634**



Page 165

**635**



## INSULATION SHIELD 125

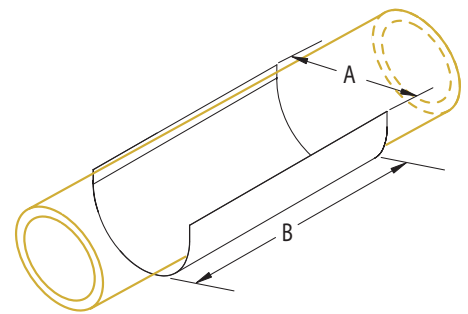
### Low Compression Insulation Shield

- Size Range: 1-1/2" thru 28"
- Surface Finish: Electro-zinc plated
- Resists crushing insulation at the point of support when the insulation has more than 5% deformation at 30 psi
- Conforms with Federal Specification WW-H-171 (Type 41), Manufacturers Standardization Society ANSI/MSS-SP-58 (Type 40); install in accordance with ANSI/MSS-SP-69



**NOTE:** Shield size directly corresponds to hanger size into which it will nest, see Models 126 and 127 for pre-insulated pipe support systems

| Part Number | Shield Size | A       | B   | Gauge |
|-------------|-------------|---------|-----|-------|
| 1250150EG   | 1-1/2       | 2-1/8"  | 12" | 18    |
| 1250200EG   | 2           | 2-1/2"  | 12" | 18    |
| 1250250EG   | 2-1/2       | 3"      | 12" | 18    |
| 1250300EG   | 3           | 3-5/8"  | 12" | 18    |
| 1250350EG   | 3-1/2       | 4-1/8"  | 12" | 18    |
| 1250400EG   | 4           | 4-5/8"  | 12" | 16    |
| 1250450EG   | 4-1/2       | 5"      | 12" | 18    |
| 1250500EG   | 5           | 5-9/16" | 12" | 18    |
| 1250600EG   | 6           | 6-5/8"  | 12" | 16    |
| 1250700EG   | 7           | 7-5/8"  | 12" | 16    |
| 1250701EG   | 7A          | 7-5/8"  | 18" | 16    |
| 1250800EG   | 8           | 8-3/8"  | 12" | 16    |
| 1250801EG   | 8A          | 8-5/8"  | 18" | 16    |
| 1250900EG   | 9           | 9-5/8"  | 18" | 16    |
| 1251000EG   | 10          | 10-3/4" | 18" | 16    |
| 1251100EG   | 11          | 11-3/4" | 24" | 14    |
| 1251200EG   | 12          | 12-3/4" | 24" | 14    |
| 1251400EG   | 14          | 14"     | 24" | 14    |
| 1251500EG   | 15          | 15"     | 24" | 14    |
| 1251600EG   | 16          | 16"     | 24" | 14    |
| 1251800EG   | 18          | 18"     | 24" | 12    |
| 1251900EG   | 19          | 19"     | 24" | 12    |
| 1252000EG   | 20          | 20"     | 24" | 12    |
| 1252200EG   | 22          | 22"     | 24" | 12    |
| 1252400EG   | 24          | 24"     | 24" | 12    |
| 1252800EG   | 28          | 28"     | 24" | 12    |



## INSULATION SHIELD 121

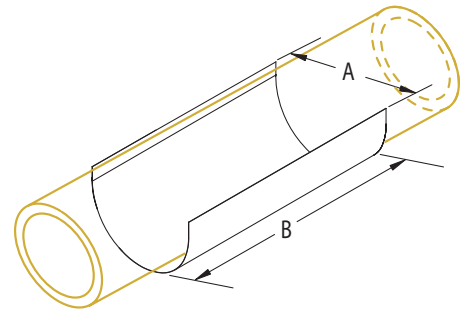
### High Density Insulation Shield

- Size Range: 1-1/2" thru 10"
- Surface Finish: Black
- Use with high density pipe covering or where hard block at the point of support is needed

**NOTE:** Shield size directly corresponds to hanger size into which it will nest. Available in Electro-zinc plated finish by special order



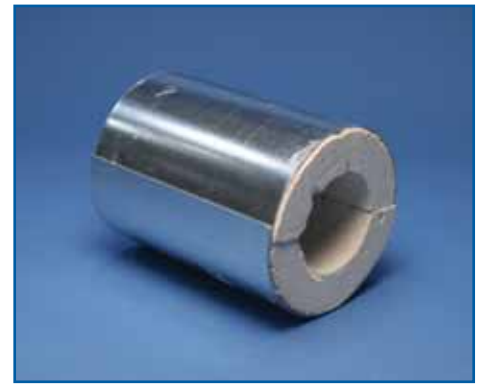
| Part Number | Shield Size | A       | B  | Gauge |
|-------------|-------------|---------|----|-------|
| 1210150PL   | 1-1/2       | 1-7/8"  | 3" | 19    |
| 1210200PL   | 2           | 2-3/8"  | 3" | 19    |
| 1210250PL   | 2-1/2       | 3-1/8"  | 4" | 19    |
| 1210300PL   | 3           | 3-5/8"  | 4" | 19    |
| 1210350PL   | 3-1/2       | 4"      | 4" | 19    |
| 1210400PL   | 4           | 4-1/2"  | 6" | 19    |
| 1210500PL   | 5           | 5-9/16" | 6" | 19    |
| 1210600PL   | 6           | 6-5/8"  | 6" | 19    |
| 1210800PL   | 8           | 8-5/8"  | 6" | 19    |
| 1211000PL   | 10          | 10-3/4" | 6" | 19    |



## INSULATION SHIELD 126

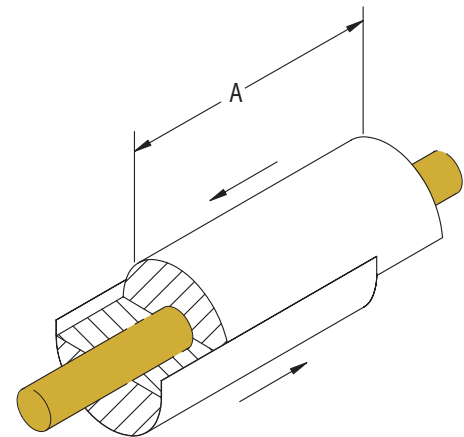
### 360° Shield and Insulation – Hot Piping

- Size Range: 1/2" thru 18" pipe, 1" thru 4" insulation thickness
- Prevents crushed insulation at the point of support
- For use with hot services
- 140 psi minimum compressive strength, -20°F to 1200°F working temperature, and detailed insulation specifications available on request
- When ordering specify pipe or tubing size, insulation thickness, model number, and name



### Construction:

- 360°, 2 piece pre-galvanized metal jacket encasing asbestos free, hydrous calcium silicate, treated for water resistance. Insulation is affixed inside top and bottom halves of the metal jacket where bottom jacket overlaps top and is assembled by sliding together



| Pipe or Tubing Size | "A" Insulation Length             |        |     |        |     |     |
|---------------------|-----------------------------------|--------|-----|--------|-----|-----|
|                     | Based on Insulation Thickness of* |        |     |        |     |     |
|                     | 1"                                | 1-1/2" | 2"  | 2-1/2" | 3"  | 4"  |
| 1/2" thru 1-1/2"    | 6"                                | 6"     | 6"  | 6"     | 6"  | 6"  |
| 2" thru 5"          | 6"                                | 6"     | 6"  | 6"     | 9"  | 9"  |
| 6" thru 10"         | 9"                                | 9"     | 9"  | 9"     | 9"  | 9"  |
| 12" thru 14"        | 9"                                | 9"     | 9"  | 9"     | 9"  | 9"  |
| 16" thru 24"        | 12"                               | 12"    | 12" | 12"    | 12" | 12" |

\*Cold water inserts have a minimum insulation length of 6"

| Pipe or Tubing Size | Sheet Metal Gauge                  |        |    |        |    |    |
|---------------------|------------------------------------|--------|----|--------|----|----|
|                     | Based on Insulation Thickness of** |        |    |        |    |    |
|                     | 1"                                 | 1-1/2" | 2" | 2-1/2" | 3" | 4" |
| 1/2" thru 1-1/2"    | 22                                 | 22     | 22 | 20     | 20 | 20 |
| 2" thru 5"          | 20                                 | 20     | 20 | 20     | 20 | 20 |
| 6" thru 10"         | 16                                 | 16     | 16 | 16     | 16 | 16 |
| 12" thru 14"        | 16                                 | 16     | 16 | 16     | 16 | 16 |
| 16" thru 24"        | 14                                 | 14     | 14 | 14     | 14 | 14 |

\*\*A double thickness of sheet metal is recommended on the lower half when used with rollers or when hanger span exceeds 10'



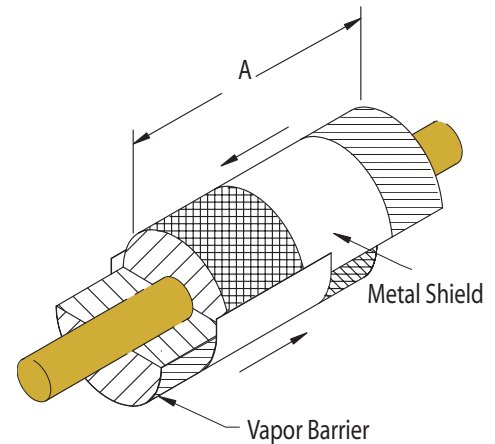
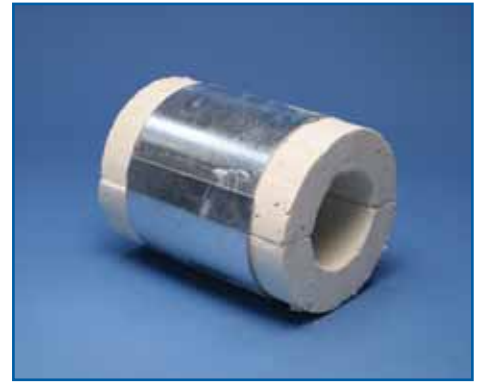
## INSULATION SHIELD 127

### 360° Shield and Insulation – Cold Piping

- Size Range: 1/2" thru 18" pipe, 1" thru 4" insulation thickness
- Prevents crushed insulation at the point of support
- For use with cold services
- 140 psi minimum compressive strength, -20°F to 1200°F working temperature, and detailed insulation specifications available on request
- When ordering specify pipe or tubing size, insulation thickness, model number, and name

#### Construction:

- 360°, 2 piece pre-galvanized metal jacket encasing asbestos free, hydrous calcium silicate, treated for water resistance. Insulation has vapor barrier and extends 1" beyond metal jacket so joint may be taped to make complete vapor barrier between insert and line insulation



| Pipe or Tubing Size | "A" Insulation Length             |        |     |        |     |     |
|---------------------|-----------------------------------|--------|-----|--------|-----|-----|
|                     | Based on Insulation Thickness of* |        |     |        |     |     |
|                     | 1"                                | 1-1/2" | 2"  | 2-1/2" | 3"  | 4"  |
| 1/2" thru 1-1/2"    | 6"                                | 6"     | 6"  | 6"     | 6"  | 6"  |
| 2" thru 5"          | 6"                                | 6"     | 6"  | 6"     | 9"  | 9"  |
| 6" thru 14"         | 9"                                | 9"     | 9"  | 6"     | 9"  | 9"  |
| 16" thru 24"        | 12"                               | 12"    | 12" | 12"    | 12" | 12" |

\*Cold water inserts have a minimum insulation length of 6"

| Pipe or Tubing Size | Sheet Metal Gauge                  |        |    |        |    |    |
|---------------------|------------------------------------|--------|----|--------|----|----|
|                     | Based on Insulation Thickness of** |        |    |        |    |    |
|                     | 1"                                 | 1-1/2" | 2" | 2-1/2" | 3" | 4" |
| 1/2" thru 1-1/2"    | 22                                 | 22     | 22 | 20     | 20 | 20 |
| 2" thru 5"          | 20                                 | 20     | 20 | 20     | 20 | 20 |
| 6" thru 14"         | 16                                 | 16     | 16 | 16     | 16 | 16 |
| 16" thru 24"        | 16                                 | 16     | 16 | 16     | 16 | 16 |

\*\*A double thickness of sheet metal is recommended on the lower half when used with rollers or when hanger span exceeds 10'

## PIPE SADDLE 630

### Protection Saddle for 1" Pipe Insulation

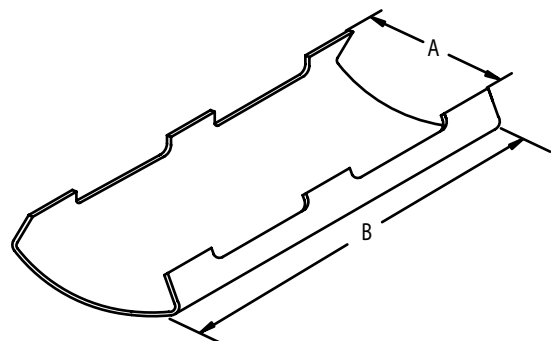
- Size Range: 3/4" thru 8"
- Surface Finish: Black
- Designed for high temperature service or where heat losses are to be kept at a minimum and to protect insulation against damage at the point of support
- Conforms with Federal Specification WW-H-171 (Type 40A or 40B), Manufacturers Standardization Society ANSI/MSS-SP-58 (Type 39A or 39B); install in accordance with ANSI/MSS-SP-69



**NOTE:** Larger sizes available upon request

| Part Number | Pipe Size | Actual Thickness of Cover | Size of Pipe Roll for Model # |            |            | Center Line of Pipe to Outside of Saddle | Center Line of Pipe to Center Line of Roll for Model # |            |            | Max. Rec. Load (lbs)* |
|-------------|-----------|---------------------------|-------------------------------|------------|------------|--|--|------------|------------|-----------------------|
|             |           |                           | 600,605<br>615,620            | 610<br>612 | 617<br>619 |  | 600,605<br>615,620                                     | 610<br>612 | 617<br>619 |                       |
| 6300150PL   | 3/4"      | 7/8"                      | 2-1/2                         | 2-1/2      | 2 to 3-1/2 | 1-3/4"                                   | 2-3/16"  | 2-1/4"     | 2-3/8"     | 1200                  |
|             | 1"        | 1-1/16"                   | 2-1/2                         | 3          | 2 to 3-1/2 | 1-15/16"                                 | 2-7/16"  | 2-3/8"     | 3"         | 1200                  |
|             | 1-1/4"    | 7/8"                      | 2-1/2                         | 3          | 2 to 3-1/2 | 2-1/8"                                   | 2-11/16"   | 2-5/8"     | 2-3/4"     | 1200                  |
|             | 1-1/2"    | 1"                        | 3                             | 3-1/2      | 2 to 3-1/2 | 2-1/4"                                   | 2-3/4"   | 2-3/4"     | 2-1/4"     | 1200                  |
| 6300350PL   | 2"        | 1-1/16"                   | 3-1/2                         | 4          | 2 to 3-1/2 | 2-7/16"                                  | 3-1/16"  | 3"         | 3"         | 1200                  |
|             | 2-1/2"    | 1-1/16"                   | 3-1/2                         | 5          | 2 to 3-1/2 | 2-3/4"                                   | 3-5/16"  | 3-5/16"    | 3-3/8"     | 1200                  |
|             | 3"        | 1"                        | 4                             | 5          | 2 to 3-1/2 | 3-1/16"                                  | 3-5/8"   | 3-5/8"     | 3-11/16"   | 1200                  |
|             | 3-1/2"    | 1-1/4"                    | 5                             | 6          | 4 to 6     | 3-3/8"                                   | 4-1/16"  | 4-1/16"    | 4"         | 1200                  |
| 6300500PL   | 4"        | 1-1/16"                   | 5                             | 6          | 4 to 6     | 3-7/16"                                  | 4-1/8"   | 4-1/8"     | 4-1/16"    | 1800                  |
|             | 5"        | 1"                        | 6                             | 8          | 4 to 6     | 4-1/16"                                  | 4-3/4"   | 4-3/4"     | 4-11/16"   | 1800                  |
| 6300600PL   | 6"        | 1"                        | 8                             | 8          | 4 to 6     | 4-9/16"                                  | 5-3/8"   | 5-3/8"     | 5-1/4"     | 1800                  |
| 6300800PL   | 8"        | 1-1/2"                    | 10                            | 12         | 8 to 10    | 6"                                       | 7-1/16"  | 7-1/16"    | 7-1/16"    | 1800                  |

\*Maximum recommended loads are applicable only when the saddle is used on a flat bearing surface and tack welded to the pipe. When a saddle is used with a pipe roll, the maximum load given for the pipe roll applies to the saddle



## PIPE SADDLE 631

### Protection Saddle for 1-1/2" Pipe Insulation

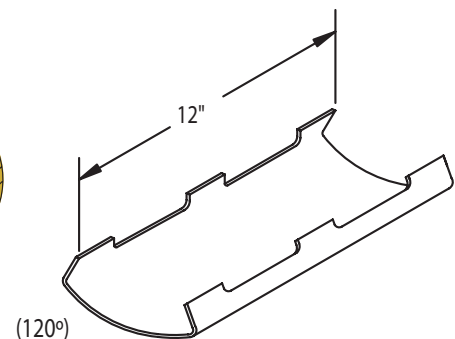
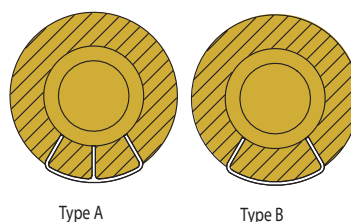
- Size Range: 3/4" thru 24"
- Surface Finish: Black
- Designed for high temperature service or where heat losses are to be kept at a minimum and to protect insulation against damage at the point of support
- Conforms with Federal Specification WW-H-171 (Type 40A or 40B), Manufacturers Standardization Society ANSI/MSS-SP-58 (Type 39A or 39B); install in accordance with ANSI/MSS-SP-69



**NOTE:** Larger sizes available upon request. Saddles have a welded-in center plate for pipe sizes 12" and larger, see Type A

| Part Number | Pipe Size | Actual Thickness of Cover | Size of Pipe Roll for Model # |            |            | Center Line of Pipe to Outside of Saddle | Center Line of Pipe to Center Line of Roll for Model # |            |            | Max. Rec. Load (lbs)* |
|-------------|-----------|---------------------------|-------------------------------|------------|------------|--|--|------------|------------|-----------------------|
|             |           |                           | 600,605<br>615,620            | 610<br>612 | 617<br>619 |  | 600,605<br>615,620                                     | 610<br>612 | 617<br>619 |                       |
| 6310150PL   | 3/4"      | 1-7/16"                   | 3                             | 3-1/2      | 2 to 3-1/2 | 2-1/8"                                   | 2-11/16"   | 2-11/16"   | 3-13/16"   | 1200                  |
|             | 1"        | 1-9/16"                   | 3                             | 4          | 2 to 3-1/2 | 2-7/16"                                  | 3"   | 3"         | 3-1/8"     | 1200                  |
|             | 1-1/4"    | 1-5/8"                    | 3-1/2                         | 5          | 2 to 3-1/2 | 2-9/16"                                  | 3-1/16"  | 3-1/16"    | 3-3/16"    | 1200                  |
|             | 1-1/2"    | 1-1/2"                    | 3-1/2                         | 5          | 2 to 3-1/2 | 2-11/16"                                 | 3-5/16"  | 3-5/16"    | 3-5/16"    | 1200                  |
| 6310350PL   | 2"        | 1-9/16"                   | 4                             | 5          | 2 to 3-1/2 | 3"                                       | 3-5/8"   | 3-5/8"     | 3-5/8"     | 1200                  |
|             | 2-1/2"    | 1-7/16"                   | 5                             | 6          | 2 to 3-1/2 | 3-1/4"                                   | 3-15/16"   | 3-15/16"   | 3-7/8"     | 1200                  |
|             | 3"        | 1-9/16"                   | 5                             | 6          | 2 to 3-1/2 | 3-5/8"                                   | 4-5/16"  | 4-5/16"    | 4-1/4"     | 1800                  |
|             | 3-1/2"    | 1-13/16"                  | 6                             | 8          | 4 to 6     | 3-7/8"                                   | 4-3/4"   | 4-3/4"     | 4-11/16"   | 1800                  |
| 6310500PL   | 4"        | 1-9/16"                   | 6                             | 8          | 4 to 6     | 3-7/8"                                   | 4-11/16"   | 4-11/16"   | 4-9/16"    | 1800                  |
|             | 5"        | 1-1/2"                    | 8                             | 8          | 4 to 6     | 4-1/2"                                   | 5-5/16"  | 5-5/16"    | 5-3/16"    | 1800                  |
| 6310800PL   | 6"        | 1-1/2"                    | 8                             | 10         | 8 to 10    | 5-3/16"                                  | 6"   | 5-13/16"   | 6-1/8"     | 1800                  |
|             | 8"        | 1-1/2"                    | 10                            | 12         | 8 to 10    | 6-5/16"                                  | 7-3/8"   | 7-3/8"     | 7-3/8"     | 1800                  |
| 6311000PL   | 10"       | 1-9/16"                   | 12                            | 14         | 8 to 10    | 7-1/4"                                   | 8-5/16"  | 8-1/2"     | 8-5/16"    | 1800                  |
| 6311200PL   | 12"       | 1-1/2"                    | 14                            | 16         | 12 to 14   | 8-1/16"                                  | 8-1/16"  | 9-1/2"     | 9-1/4"     | 5000                  |
| 6311400PL   | 14"       | 1-1/2"                    | 16                            | 18         | 12 to 14   | 8-7/8"                                   | 8-7/8"   | 10-1/2"    | 10-3/16"   | 5000                  |
| 6311600PL   | 16"       | 1-1/2"                    | 18                            | 20         | 16 to 20   | 9-7/8"                                   | 11-5/16"   | 11-5/16"   | 11-3/16"   | 5000                  |
| 6311800PL   | 18"       | 1-1/2"                    | 20                            | N/A        | 16 to 20   | 10-7/8"                                  | 12-3/8"  | N/A        | 12-1/4"    | 5000                  |
| 6312000PL   | 20"       | 1-1/2"                    | 24                            | N/A        | 24 to 26   | 11-3/4"                                  | 13-11/16"  | N/A        | 13-3/16"   | 7200                  |
| 6312400PL   | 24"       | 1-1/2"                    | 30                            | N/A        | 22 to 30   | 13-5/8"                                  | 16-7/16"   | N/A        | 15-3/8"    | 7200                  |

\*Maximum recommended loads are applicable only when the saddle is used on a flat bearing surface and tack welded to the pipe. When a saddle is used with a pipe roll, the maximum load given for the pipe roll applies to the saddle



## PIPE SADDLE 632

### Protection Saddle for 2" Pipe Insulation

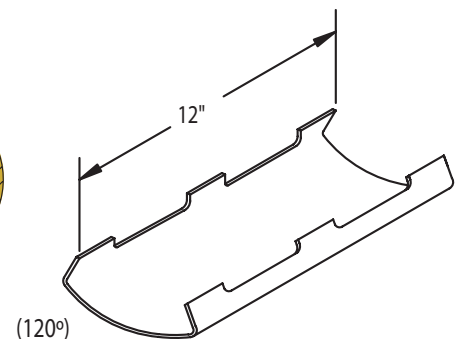
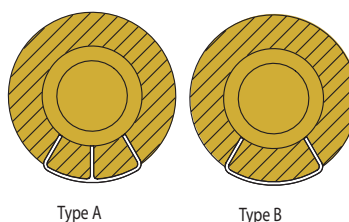
- Size Range: 3/4" thru 24"
- Surface Finish: Black
- Designed for high temperature service or where heat losses are to be kept at a minimum and to protect insulation against damage at the point of support
- Conforms with Federal Specification WW-H-171 (Type 40A or 40B), Manufacturers Standardization Society ANSI/MSS-SP-58 (Type 39A or 39B); install in accordance with ANSI/MSS-SP-69



**NOTE:** Larger sizes available upon request. Saddles have a welded-in center plate for pipe sizes 12" and larger, see Type A

| Part Number | Pipe Size | Actual Thickness of Cover | Size of Pipe Roll for Model # |            |            | Center Line of Pipe to Outside of Saddle | Center Line of Pipe to Center Line of Roll for Model # |            |            | Max. Rec. Load (lbs)* |
|-------------|-----------|---------------------------|-------------------------------|------------|------------|--|--|------------|------------|-----------------------|
|             |           |                           | 600,605<br>615,620<br>621     | 610<br>612 | 617<br>619 |  | 600,605<br>615,620<br>621                              | 610<br>612 | 617<br>619 |                       |
| 6320150PL   | 3/4"      | 1-7/8"                    | 4                             | 5          | 2 to 3-1/2 | 2-3/4"                                   | 3-3/8"   | 3-3/8"     | 3-7/16"    | 1200                  |
|             | 1"        | 2-1/8"                    | 4                             | 5          | 2 to 3-1/2 | 2-15/16"                                 | 3-9/16"  | 3-9/16"    | 3-9/16"    | 1200                  |
|             | 1-1/4"    | 1-15/16"                  | 4                             | 5          | 2 to 3-1/2 | 3-1/8"                                   | 3-3/4"   | 3-3/4"     | 3-13/16"   | 1200                  |
|             | 1-1/2"    | 2-5/16"                   | 5                             | 5          | 4 to 6     | 3-1/4"                                   | 4-1/8"   | 4-1/8"     | 4-1/8"     | 1800                  |
| 6320350PL   | 2"        | 2-1/8"                    | 5                             | 6          | 4 to 6     | 3-1/2"                                   | 4-3/16"  | 4-3/16"    | 4-3/16"    | 1800                  |
|             | 2-1/2"    | 2-5/16"                   | 6                             | 8          | 4 to 6     | 3-3/4"                                   | 4-3/8"   | 4-1/2"     | 4-3/8"     | 1800                  |
|             | 3"        | 2-1/16"                   | 6                             | 8          | 4 to 6     | 4-1/8"                                   | 4-13/16"   | 4-13/16"   | 4-11/16"   | 1800                  |
|             | 3-1/2"    | 2-1/4"                    | 6                             | 8          | 4 to 6     | 4-3/8"                                   | 5-3/16"  | 5-3/16"    | 5-1/16"    | 1800                  |
| 6320500PL   | 4"        | 2-1/16"                   | 8                             | 8          | 4 to 6     | 4-11/16"                                 | 5-1/2"   | 5-1/2"     | 5-3/8"     | 1800                  |
|             | 5"        | 2"                        | 8                             | 10         | 8 to 10    | 4-15/16"                                 | 5-3/4"   | 5-13/16"   | 5-7/8"     | 1800                  |
| 6320800PL   | 6"        | 2"                        | 10                            | 10         | 8 to 10    | 5-11/16"                                 | 6-5/8"   | 6-5/8"     | 6-11/16"   | 1800                  |
|             | 8"        | 2"                        | 10                            | 12         | 8 to 10    | 6-13/16"                                 | 7-7/8"   | 7-7/8"     | 7-7/8"     | 1800                  |
| 6321000PL   | 10"       | 2-1/16"                   | 14                            | 16         | 12 to 14   | 7-5/8"                                   | 9-1/16"  | 9"         | 8-13/16"   | 1800                  |
| 6321200PL   | 12"       | 2-1/16"                   | 16                            | 18         | 16 to 20   | 8-13/16"                                 | 8-3/16"  | 10-1/4"    | 10-3/16"   | 5000                  |
| 6321400PL   | 14"       | 2"                        | 16                            | 18         | 16 to 20   | 9-1/4"                                   | 9-1/4"   | 10-3/4"    | 10-5/8"    | 5000                  |
| 6321600PL   | 16"       | 2"                        | 18                            | 20         | 16 to 20   | 10-1/4"                                  | 11-13/16"  | 11-13/16"  | 11-5/8"    | 5000                  |
| 6321800PL   | 18"       | 2"                        | 20                            | N/A        | 22 to 24   | 11-1/2"                                  | 13-1/16"   | N/A        | 12-7/8"    | 7200                  |
| 6322000PL   | 20"       | 2"                        | 24                            | N/A        | 22 to 24   | 12-5/16"                                 | 14-3/16"   | N/A        | 13-11/16"  | 7200                  |
| 6322400PL   | 24"       | 2"                        | 30                            | N/A        | 26 to 30   | 14-3/16"                                 | 17-1/16"   | N/A        | 15-15/16"  | 7200                  |

\*Maximum recommended loads are applicable only when the saddle is used on a flat bearing surface and tack welded to the pipe. When a saddle is used with a pipe roll, the maximum load given for the pipe roll applies to the saddle



## PIPE SADDLE 633

### Protection Saddle for 2-1/2" Pipe Insulation

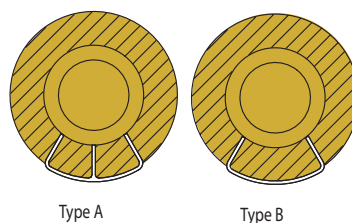
- Size Range: 1-1/4" thru 24"
- Surface Finish: Black
- Designed for high temperature service or where heat losses are to be kept at a minimum and to protect insulation against damage at the point of support
- Conforms with Federal Specification WW-H-171 (Type 40A or 40B), Manufacturers Standardization Society ANSI/MSS-SP-58 (Type 39A or 39B); install in accordance with ANSI/MSS-SP-69



**NOTE:** Larger sizes available upon request. Saddles have a welded-in center plate for pipe sizes 12" and larger, see Type A

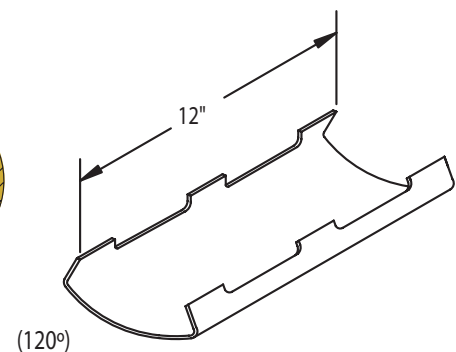
| Part Number | Pipe Size | Actual Thickness of Cover | Size of Pipe Roll for Model # |     |          | Center Line of Pipe to Outside of Saddle | Center Line of Pipe to Center Line of Roll for Model # |          |          | Max. Rec. Load (lbs)* |
|-------------|-----------|---------------------------|-------------------------------|-----|----------|--|--|----------|----------|-----------------------|
|             |           |                           | 600,605                       | 610 | 617      |  | 600,605  | 610      | 617      |                       |
|             |           |                           | 615,620                       | 612 | 619      |  | 615,620  | 612      | 619      |                       |
| 6330150PL   | 1-1/4"    | 2-7/16"                   | 5                             | 6   | 4 to 6   | 3-3/4"                                   | 4-3/8"   | 4-3/8"   | 4-3/8"   | 1200                  |
|             | 1-1/2"    | 2-13/16"                  | 6                             | 5   | 4 to 6   | 3-13/16"                                 | 4-7/16"  | 4-7/16"  | 4-9/16"  | 1800                  |
| 6330200PL   | 2"        | 2-5/8"                    | 6                             | 8   | 4 to 6   | 3-15/16"                                 | 4-5/8"   | 4-11/16" | 4-11/16" | 1800                  |
| 6330250PL   | 2-1/2"    | 2-7/8"                    | 8                             | 8   | 4 to 6   | 4-7/16"                                  | 5-5/16"  | 5-5/16"  | 5-3/16"  | 1800                  |
| 6330300PL   | 3"        | 2-9/16"                   | 8                             | 8   | 4 to 6   | 4-11/16"                                 | 5-7/16"  | 5-7/16"  | 5-5/16"  | 1800                  |
| 6330350PL   | 3-1/2"    | 2-3/4"                    | 8                             | 10  | 8 to 10  | 4-13/16"                                 | 5-3/4"   | 5-3/4"   | 5-13/16" | 1800                  |
| 6330500PL   | 4"        | 2-9/16"                   | 8                             | 10  | 8 to 10  | 5-1/8"                                   | 6-1/16"  | 6-1/16"  | 6-3/4"   | 1800                  |
|             | 5"        | 2-9/16"                   | 10                            | 10  | 8 to 10  | 5-9/16"                                  | 6-1/2"   | 6-1/2"   | 6-9/16"  | 1800                  |
| 6330800PL   | 6"        | 2-1/2"                    | 10                            | 12  | 8 to 10  | 6-3/16"                                  | 7-1/8"   | 7-13/16" | 7-1/4"   | 1800                  |
|             | 8"        | 2-11/16"                  | 12                            | 14  | 8 to 10  | 7-5/16"                                  | 8-3/8"   | 8-9/16"  | 8-3/8"   | 1800                  |
| 6331000PL   | 10"       | 2-9/16"                   | 14                            | 16  | 12 to 14 | 8-3/16"                                  | 9-5/8"   | 9-5/8"   | 9-3/8"   | 1800                  |
| 6331600PL   | 16"       | 2-1/2"                    | 20                            | N/A | 16 to 20 | 10-7/8"                                  | 12-3/8"  | N/A      | 12-7/8"  | 7200                  |
| 6331800PL   | 18"       | 2-1/2"                    | 24                            | N/A | 22 to 24 | 12"                                      | 13-15/16"  | N/A      | 13-7/16" | 7200                  |
| 6332000PL   | 20"       | 2-1/2"                    | 24                            | N/A | 22 to 24 | 12-7/8"                                  | 14-13/16"  | N/A      | 14-5/16" | 7200                  |
| 6332400PL   | 20"       | 2-1/2"                    | 30                            | N/A | 26 to 30 | 14-3/4"                                  | 17-5/8"  | N/A      | 16-9/16" | 7200                  |

\*Maximum recommended loads are applicable only when the saddle is used on a flat bearing surface and tack welded to the pipe. When a saddle is used with a pipe roll, the maximum load given for the pipe roll applies to the saddle



Type A

Type B



## PIPE SADDLE 634

### Protection Saddle for 3" Pipe Insulation

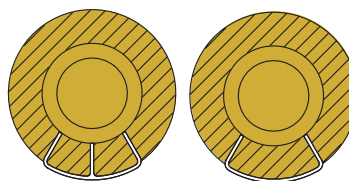
- Size Range: 2" thru 24"
- Surface Finish: Black
- Designed for high temperature service or where heat losses are to be kept at a minimum and to protect insulation against damage at the point of support
- Conforms with Federal Specification WW-H-171 (Type 40A or 40B), Manufacturers Standardization Society ANSI/MSS-SP-58 (Type 39A or 39B); install in accordance with ANSI/MSS-SP-69



**NOTE:** Larger sizes available upon request. Saddles have a welded-in center plate for pipe sizes 12" and larger, see Type A

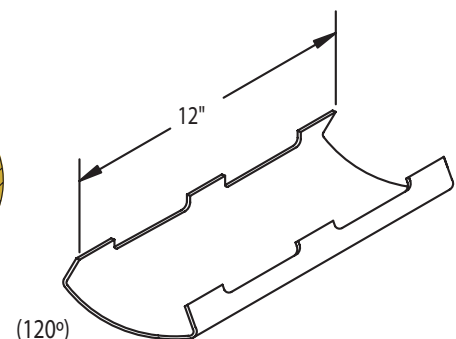
| Part Number | Pipe Size | Actual Thickness of Cover | Size of Pipe Roll for Model # |            |            | Center Line of Pipe to Outside of Saddle | Center Line of Pipe to Center Line of Roll for Model # |            |            | Max. Rec. Load (lbs)* |
|-------------|-----------|---------------------------|-------------------------------|------------|------------|--|--|------------|------------|-----------------------|
|             |           |                           | 600,605<br>615,620<br>621     | 610<br>612 | 617<br>619 |  | 600,605<br>615,620<br>621                              | 610<br>612 | 617<br>619 |                       |
| 6340200PL   | 2"        | 3-1/8"                    | 8                             | 8          | 4 to 6     | 4-11/16"                                 | 5-1/2"   | 5-1/2"     | 5-1/2"     | 1800                  |
| 6340250PL   | 2-1/2"    | 3-3/8"                    | 8                             | 10         | 4 to 6     | 4-15/16"                                 | 5-11/16"   | 5-13/16"   | 5-9/16"    | 1800                  |
| 6340300PL   | 3"        | 3-1/16"                   | 8                             | 10         | 8 to 10    | 5"                                       | 5-15/16"   | 5-15/16"   | 6"         | 1800                  |
| 6340350PL   | 3-1/2"    | 3-5/16"                   | 10                            | 10         | 8 to 10    | 5-1/2"                                   | 6-7/16"  | 6-7/16"    | 6-1/2"     | 1800                  |
| 6340500PL   | 4"        | 3-1/16"                   | 10                            | 10         | 8 to 10    | 5-9/16"                                  | 6-1/2"   | 6-1/2"     | 7-1/2"     | 1800                  |
|             | 5"        | 3-1/16"                   | 10                            | 12         | 8 to 10    | 6-1/8"                                   | 7-1/16"  | 7-3/16"    | 7-3/16"    | 1800                  |
| 6340800PL   | 6"        | 3"                        | 12                            | 12         | 8 to 10    | 6-9/16"                                  | 7-5/8"   | 7-5/8"     | 7-5/8"     | 1800                  |
|             | 8"        | 3-1/8"                    | 14                            | 16         | 12 to 14   | 7-5/8"                                   | 8-15/16"   | 8-15/16"   | 8-11/16"   | 1800                  |
| 6341000PL   | 10"       | 3-1/16"                   | 16                            | 18         | 16 to 20   | 8-7/8"                                   | 10-5/16"   | 10-7/8"    | 10-3/16"   | 1800                  |
| 6341200PL   | 12"       | 3-1/16"                   | 18                            | 20         | 16 to 20   | 9-11/16"                                 | 9-11/16"   | 11-3/16"   | 11-1/16"   | 5000                  |
| 6341400PL   | 14"       | 3"                        | 18                            | 20         | 16 to 20   | 10-1/4"                                  | 10-1/4"  | 11-11/16"  | 11-1/8"    | 5000                  |
| 6341600PL   | 16"       | 3"                        | 24                            | N/A        | 22 to 24   | 11-3/16"                                 | 13"  | N/A        | 12-9/16"   | 7200                  |
| 6341800PL   | 18"       | 3"                        | 24                            | N/A        | 22 to 24   | 12-5/16"                                 | 14-1/4"  | N/A        | 13-11/16"  | 7200                  |
| 6342000PL   | 20"       | 3"                        | 24                            | N/A        | 22 to 24   | 13-1/2"                                  | 15-7/16"   | N/A        | 14-15/16"  | 7200                  |
| 6342400PL   | 24"       | 3"                        | 30                            | N/A        | 26 to 30   | 15-3/8"                                  | 18-3/16"   | N/A        | 17-1/8"    | 7200                  |

\*Maximum recommended loads are applicable only when the saddle is used on a flat bearing surface and tack welded to the pipe. When a saddle is used with a pipe roll, the maximum load given for the pipe roll applies to the saddle



Type A

Type B



## PIPE SADDLE 635

### Protection Saddle for 4" Pipe Insulation

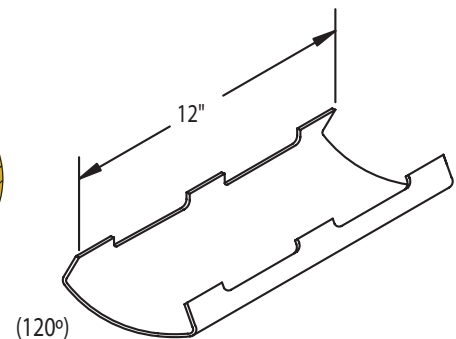
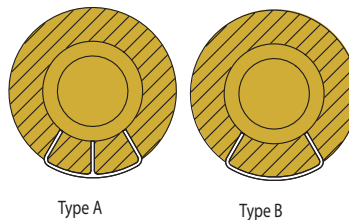
- Size Range: 4" thru 24"
- Surface Finish: Black
- Designed for high temperature service or where heat losses are to be kept at a minimum and to protect insulation against damage at the point of support
- Conforms with Federal Specification WW-H-171 (Type 40A or 40B), Manufacturers Standardization Society ANSI/MSS-SP-58 (Type 39A or 39B); install in accordance with ANSI/MSS-SP-69



**NOTE:** Larger sizes available upon request. Saddles have a welded-in center plate for pipe sizes 12" and larger, see Type A

| Part Number | Pipe Size | Actual Thickness of Cover | Size of Pipe Roll for Model # |     |          | Center Line of Pipe to Outside of Saddle | Center Line of Pipe to Center Line of Roll for Model # |          |           | Max. Rec. Load (lbs)* |
|-------------|-----------|---------------------------|-------------------------------|-----|----------|--|--|----------|-----------|-----------------------|
|             |           |                           | 600,605                       | 610 | 617      |  | 600,605  | 610      | 617       |                       |
|             |           |                           | 615,620                       | 612 | 619      |  | 615,620  | 612      | 619       |                       |
| 6350400PL   | 4"        | 4-1/16"                   | 10                            | 12  | 8 to 10  | 6-9/16"                                  | 7-11/16"   | 7-11/16" | 7-5/8"    | 1800                  |
| 6350500PL   | 5"        | 4-3/16"                   | 12                            | 14  | 8 to 10  | 7-3/16"                                  | 8-1/4"   | 8-7/16"  | 8-1/4"    | 1800                  |
| 6350800PL   | 6"        | 4-1/8"                    | 14                            | 16  | 12 to 14 | 7-5/8"                                   | 9-1/16"  | 9-1/16"  | 8-13/16"  | 1800                  |
|             | 8"        | 4-1/8"                    | 16                            | 18  | 12 to 14 | 8-11/16"                                 | 10-1/8"  | 10-1/8"  | 9-7/8"    | 1800                  |
| 6351000PL   | 10"       | 4-1/16"                   | 18                            | 20  | 16 to 20 | 9-11/16"                                 | 11-3/16"   | 11-3/16" | 11-1/16"  | 1800                  |
| 6351200PL   | 12"       | 4-1/8"                    | 20                            | N/A | 16 to 20 | 10-13/16"                                | 13"  | N/A      | 12-13/16" | 5000                  |
| 6351600PL   | 16"       | 4"                        | 24                            | N/A | 22 to 24 | 12-5/16"                                 | 14-1/4"  | N/A      | 13-3/4"   | 7200                  |
| 6351800PL   | 18"       | 4"                        | 24                            | N/A | 22 to 24 | 13-1/2"                                  | 15-7/16"   | N/A      | 14-15/16" | 7200                  |
| 6352000PL   | 20"       | 4"                        | 30                            | N/A | 26 to 30 | 14-3/16"                                 | 17-1/16"   | N/A      | 15-15/16" | 7200                  |
| 6352400PL   | 24"       | 4"                        | 30                            | N/A | 26 to 30 | 16-9/16"                                 | 19-3/8"  | N/A      | 18-5/16"  | 7200                  |

\*Maximum recommended loads are applicable only when the saddle is used on a flat bearing surface and tack welded to the pipe. When a saddle is used with a pipe roll, the maximum load given for the pipe roll applies to the saddle



# NEW Products



## CADDY® SLICK STRUT NUT

- Reduce installation time and inventory by over 75%
- Integral plastic strip provides tension to grip the strut, even vertically
- Allows for easy repositioning or removal

See page 178



## CADDY® CHANNEL CLAMP STS (STRUT-TO-STRUT)

- Provides fast assembly of back-to-back half-slot strut as an alternative to welded strut
- Unique one-piece assembly eliminates the need for washers, bolts and nuts
- For new or retrofit applications

See page 179



## STRUT BEAM CLAMP STCB

- Structural attachment to beams to support threaded rod and/or strut
- Maximum flange thickness: 3/4" when used with 1-5/8" strut and 1-5/8" when used with 13/16" strut

See page 185



STRUT PIPE CLAMPS - Refer to Chapter 9, page 74



STRUT ROLLERS - Refer to Chapter 13, page 142



# STRUT, FITTINGS & ACCESSORIES CHAPTER 15



Page 173

**A12**



Page 174

**A14**



Page 174

**B12**



Page 175

**C12**



Page 176

**C14**



Page 176

**D12**



Page 177

**E12**



Page 177

**CONC**



Page 178

**CADDY® SLICK**



Page 179

**STS**



Page 180

**NUT**



Page 180

**NUTC**



Page 181

**SPRA**



Page 181

**SPRC**



Page 182

**SPRD**



Page 182

**SPRM**



# STRUT, FITTINGS & ACCESSORIES CHAPTER 15

**NEW**



Page 183

**TSNT**



Page 184

**SQNT**



Page 184

**VS**



Page 185

**STCB**



Page 186

**BC16**



Page 186

**BC17**



Page 187

**BR22**



Page 187

**Strut Cover**



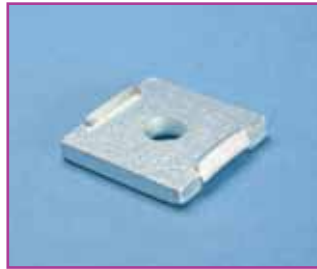
Page 188

**ENDC**



Page 188

**F09**



Page 189

**F10-F12**



Page 189

**F13-F18**



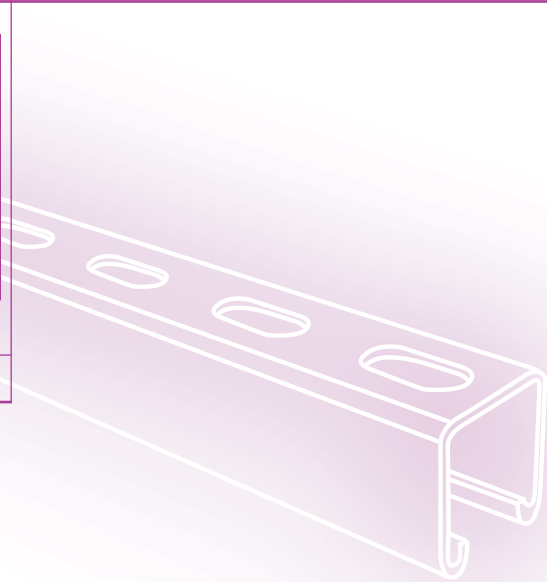
Page 190

**F20**



Page 190

**F22**



# STRUT, FITTINGS & ACCESSORIES CHAPTER 15



Page 191

**F23**



Page 191

**F25**



Page 192

**F36**



Page 192

**F37**



Page 193

**L10**



Page 193

**L11**



Page 194

**L12**



Page 194

**L15**



Page 195

**L16-L17**



Page 195

**L18**



Page 196

**L19-L20**



Page 196

**L22**



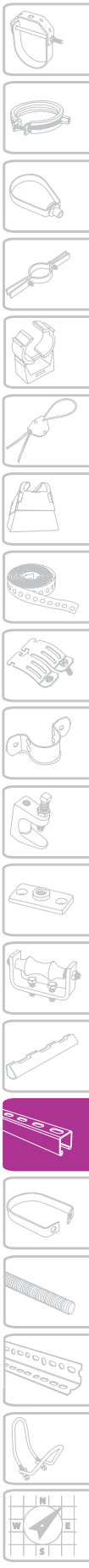
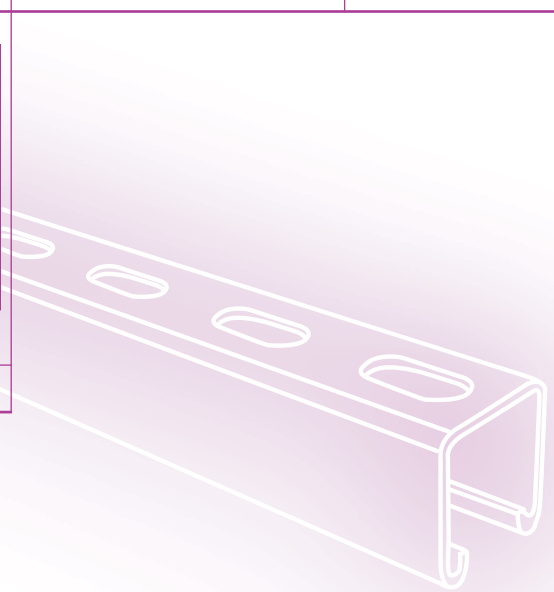
Page 197

**L23**

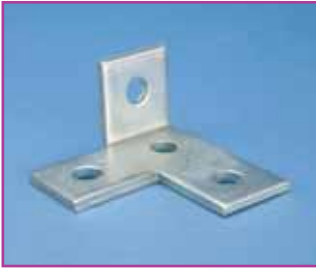


Page 197

**L24**

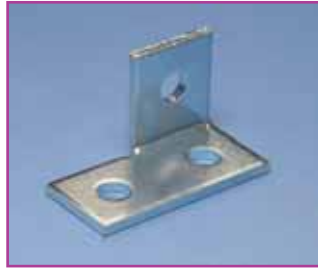


# STRUT, FITTINGS & ACCESSORIES CHAPTER 15



Page 198

**L25**



Page 198

**L26**



Page 199

**L27**



Page 199

**L44**



Page 200

**L46**



Page 200

**L47**



Page 201

**P09**



Page 201

**P10**



Page 202

**P11**



Page 202

**P13**



Page 203

**ROL10**



Page 203

**ROL11**



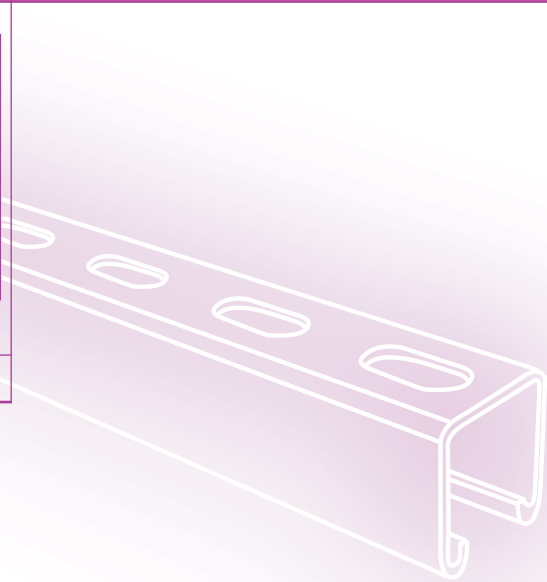
Page 204

**U10A**



Page 204

**U24**



# STRUT, FITTINGS & ACCESSORIES CHAPTER 15



Page 205

**W10**



Page 205

**W12**



Page 206

**W13**



Page 206

**W17**



Page 207

**W18**



Page 207

**W19**



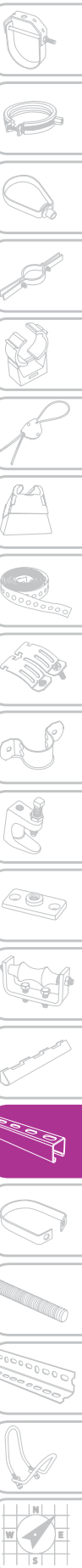
Page 208

**W20**



Page 208

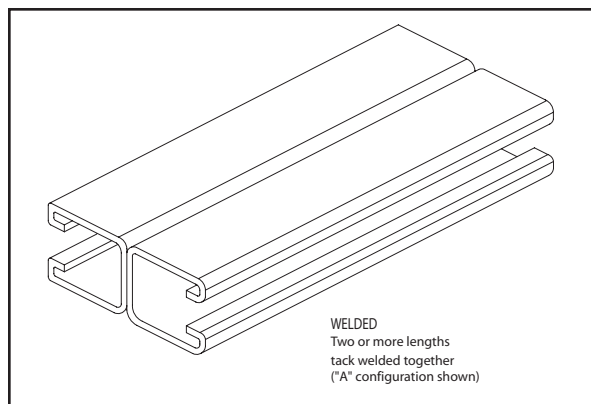
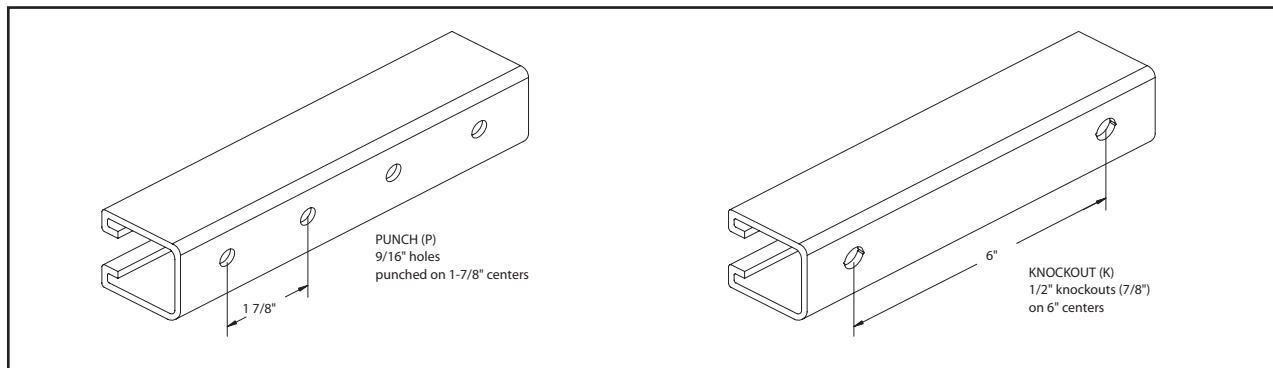
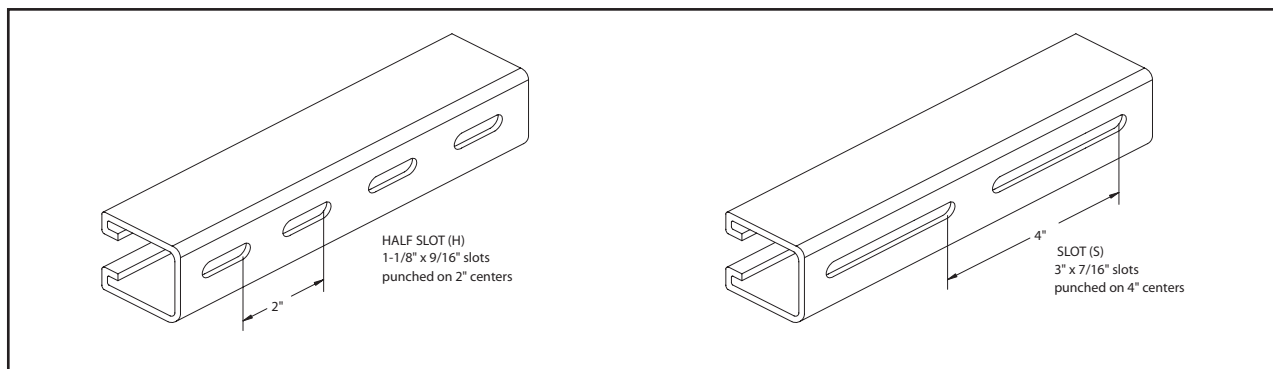
**W23**



## CADDY® ERISTRUT CHANNEL

| Model Number | Width  | Height  | Gauge |
|--------------|--------|---------|-------|
| A12          | 1-5/8" | 1-5/8"  | 12    |
| A14          | 1-5/8" | 1-5/8"  | 14    |
| B12          | 1-5/8" | 1-3/8"  | 12    |
| C12          | 1-5/8" | 13/16"  | 12    |
| C14          | 1-5/8" | 13/16"  | 14    |
| D12          | 1-5/8" | 2-7/16" | 12    |
| E12          | 1-5/8" | 3-1/4"  | 12    |

Complete CADDY® ERISTRUT channel specifications, including **Finish, Fittings, Hardware, Load Applications and Beam and Column Loads Data** information is available in chapter 20 at the end of this catalog.



## CADDY® ERISTRUT CHANNEL A12

### 12 GA Strut

- 1-5/8" x 1-5/8"
- For heavy applications
- For individual fastening or for efficiently constructing pipe or tube routes
- Standard lengths: 10', 20'
- Surface Finish(es): Pre-galvanized, painted green, gold chromate, plain



| Part Number           | Welded Configuration | Hole/Slot Configuration | Length (ft) |
|-----------------------|----------------------|-------------------------|-------------|
| Pre-galvanized Finish |                      |                         |             |
| A121000PG             | -                    | Solid                   | 10          |
| A122000PG             | -                    | Solid                   | 20          |
| A12A2000PG            | A                    | Solid                   | 20          |
| A12AH100PG            | A                    | Half Slot               | 10          |
| A12AH200PG            | A                    | Half Slot               | 20          |
| A12H1000PG            | -                    | Half Slot               | 10          |
| A12H2000PG            | -                    | Half Slot               | 20          |
| Painted Green Finish  |                      |                         |             |
| A122000GN             | -                    | Solid                   | 20          |
| A12A2000GN            | A                    | Solid                   | 20          |
| A12AH200GN            | A                    | Half Slot               | 20          |
| A12H1000GN            | -                    | Half Slot               | 10          |
| A12H2000GN            | -                    | Half Slot               | 20          |
| Plain Finish          |                      |                         |             |
| A122000PL             | -                    | Solid                   | 20          |
| Gold Chromate Finish  |                      |                         |             |
| A12H1000CG            | -                    | Half Slot               | 10          |
| A12H2000CG            | -                    | Half Slot               | 20          |
| 304 Stainless Steel   |                      |                         |             |
| A12H1000S4            | -                    | Half Slot               | 10          |



## CADDY® ERISTRUT CHANNEL A14

### 14 GA Strut

- 1-5/8" x 1-5/8"
- For light – medium applications
- For individual fastening or for efficiently constructing pipe or tube routes
- Standard lengths: 10', 20'
- Surface Finish(es): Pre-galvanized, painted green



| Part Number           | Hole/Slot Configuration | Length (ft) |
|-----------------------|-------------------------|-------------|
| Pre-galvanized Finish |                         |             |
| A14H1000PG            | Half Slot               | 10          |
| A14H2000PG            | Half Slot               | 20          |
| Painted Green Finish  |                         |             |
| A14H1000GN            | Half Slot               | 10          |
| A14H2000GN            | Half Slot               | 20          |

## CADDY® ERISTRUT CHANNEL B12

### 12 GA Strut

- 1-5/8" x 1-3/8"
- For heavy applications
- For individual fastening or for efficiently constructing pipe or tube routes
- Standard lengths: 10', 20'
- Surface Finish(es): Pre-galvanized, painted green



| Part Number           | Hole/Slot Configuration | Length (ft) |
|-----------------------|-------------------------|-------------|
| Pre-galvanized Finish |                         |             |
| B122000PG             | Solid                   | 20          |
| B12H1000PG            | Half Slot               | 10          |
| B12H2000PG            | Half Slot               | 20          |
| Painted Green Finish  |                         |             |
| B122000GN             | Solid                   | 20          |
| B12H2000GN            | Half Slot               | 20          |



## CADDY® ERISTRUT CHANNEL C12

### 12 GA Strut

- 1-5/8" x 13/16"
- For medium – heavy applications
- For individual fastening or for efficiently constructing pipe or tube routes
- Standard lengths: 10', 20'
- Surface Finish(es): Pre-galvanized, painted green, gold chromate



| Part Number           | Hole/Slot Configuration | Length (ft) |
|-----------------------|-------------------------|-------------|
| Pre-galvanized Finish |                         |             |
| C121000PG             | Solid                   | 10          |
| C12H1000PG            | Half Slot               | 10          |
| C12H2000PG            | Half Slot               | 20          |
| Painted Green Finish  |                         |             |
| C122000GN             | Solid                   | 20          |
| C12H1000GN            | Half Slot               | 10          |
| C12H2000GN            | Half Slot               | 20          |
| Gold Chromate Finish  |                         |             |
| C12H1000CG            | Half Slot               | 10          |
| Aluminum              |                         |             |
| C121000AL             | Solid                   | 10          |
| C122000AL             | Solid                   | 20          |



## CADDY® ERISTRUT CHANNEL C14

### 14 GA Strut

- 1-5/8" x 13/16"
- For light – medium applications
- For individual fastening or for efficiently constructing pipe or tube routes
- Standard lengths: 10', 20'
- Surface Finish(es): Pre-galvanized, painted green, gold chromate



| Part Number           | Hole/Slot Configuration | Length (ft) |
|-----------------------|-------------------------|-------------|
| Pre-galvanized Finish |                         |             |
| C141000PG             | Solid                   | 10          |
| C14H1000PG            | Half Slot               | 10          |
| C14H2000PG            | Half Slot               | 20          |
| Painted Green Finish  |                         |             |
| C14H1000GN            | Half Slot               | 10          |
| C14H2000GN            | Half Slot               | 20          |
| C14S2000GN            | Full Slot               | 20          |
| Gold Chromate Finish  |                         |             |
| C14H1000CG            | Half Slot               | 10          |
| C14H2000CG            | Half Slot               | 20          |
| 304 Stainless Steel   |                         |             |
| C141000S4             | Solid                   | 10          |
| C142000S4             | Solid                   | 20          |
| C14H1000S4            | Half Slot               | 10          |

## CADDY® ERISTRUT CHANNEL D12

### 12 GA Strut

- 1-5/8" x 2-7/16"
- For heavy applications
- For individual fastening or for efficiently constructing pipe or tube routes
- Standard lengths: 10', 20'
- Surface Finish(es): Pre-galvanized, painted green



| Part Number           | Hole/Slot Configuration | Length (ft) |
|-----------------------|-------------------------|-------------|
| Pre-galvanized Finish |                         |             |
| D122000PG             | Solid                   | 20          |
| D12H1000PG            | Half Slot               | 10          |
| D12H2000PG            | Half Slot               | 20          |
| Painted Green Finish  |                         |             |
| D12H1000GN            | Half Slot               | 10          |
| D12H2000GN            | Half Slot               | 20          |
| D12S2000GN            | Full Slot               | 20          |



## CADDY® ERISTRUT CHANNEL E12

### 12 GA Strut

- 1-5/8" x 3-1/4"
- For heavy applications
- For individual fastening or for efficiently constructing pipe or tube routes
- Standard lengths: 10', 20'
- Surface Finish(es): Pre-galvanized, painted green



| Part Number           | Hole/Slot Configuration | Length (ft) |
|-----------------------|-------------------------|-------------|
| Pre-galvanized Finish |                         |             |
| E12H1000PG            | Half Slot               | 10          |
| E12H2000PG            | Half Slot               | 20          |
| Painted Green Finish  |                         |             |
| E122000GN             | Solid                   | 20          |
| E12H1000GN            | Half Slot               | 10          |
| E12H2000GN            | Half Slot               | 20          |

## CADDY® ERISTRUT CHANNEL CONC

### 12 GA Continuous Concrete Insert Channel

- For individual fastening or for efficiently constructing pipe or tube routes
- Standard lengths: 10', 20'
- Standard Surface Finish: Pre-galvanized



| Part Number           | Hole/Slot Configuration | Length (ft) |
|-----------------------|-------------------------|-------------|
| Pre-galvanized Finish |                         |             |
| CONA122000PG          | Half Slot               | 20          |
| CONB122000PG          | Half Slot               | 20          |
| CONC122000PG          | Half Slot               | 20          |

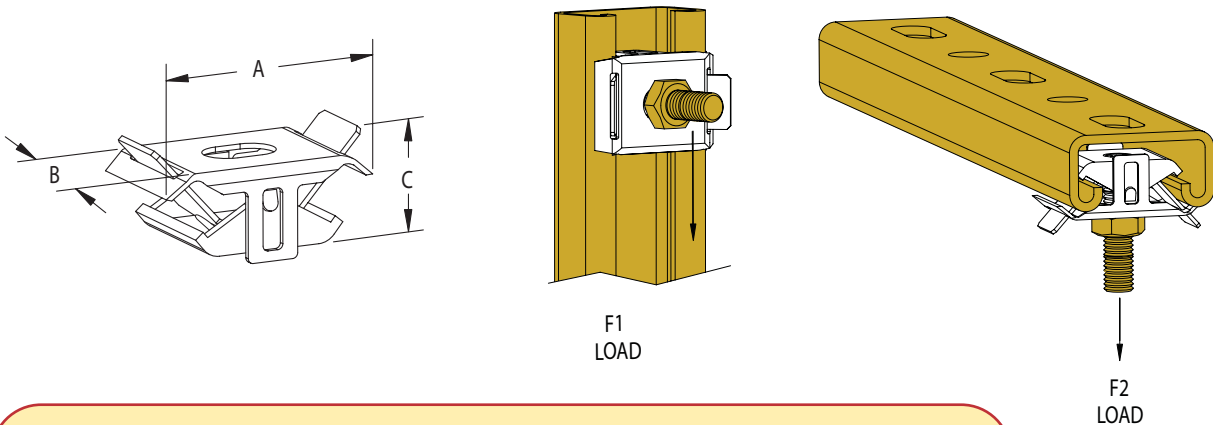
## CADDY® SLICK STRUT NUT

### One-piece Strut Nut

- Size Range: 1/4", 3/8" and 1/2" thread sizes
- Surface Finish: Dacromet 320
- Provides fast, universal attachment of threaded rod and hardware to standard strut profiles
- Unique 1-piece design
- Eliminates the need for a washer
- Fits all standard strut depths
- For use in indoor, outdoor and mildly corrosive environments



| Part Number | Thread Size | A        | B      | C    | F1 Max. Rec. Load (lbs) | F2 Max. Rec. Load (lbs) | Recommended Torque |
|-------------|-------------|----------|--------|------|-------------------------|-------------------------|--------------------|
| SLICK250    | 1/4 - 20    | 1-11/16" | 1-1/8" | 7/8" | 200                     | 800                     | 5 ft. lbs.         |
| SLICK375    | 3/8 - 16    | 1-11/16" | 1-1/8" | 7/8" | 450                     | 1100                    | 15 ft. lbs.        |
| SLICK500    | 1/2 - 13    | 1-11/16" | 1-1/8" | 7/8" | 550                     | 1250                    | 20 ft. lbs.        |



### Features

- Installs with one hand
- No more hard-to-handle spring nuts
- Reduce installation time and inventory by over 75%
- Integral plastic strip provides tension to grip the strut, even vertically
- Allows for easy repositioning or removal



## CADDY® CHANNEL CLAMP STS (STRUT-TO-STRUT)

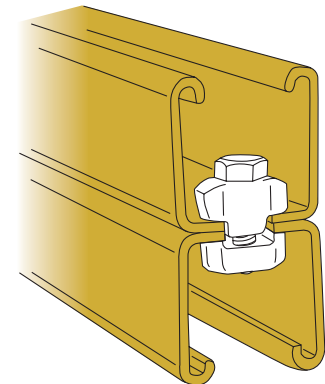
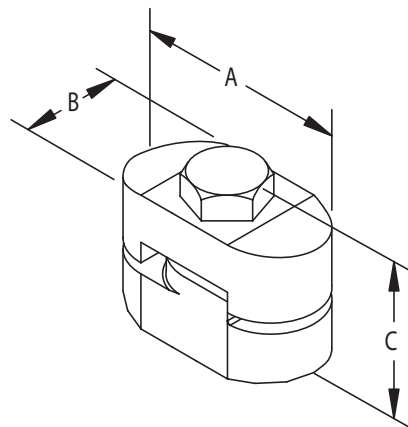
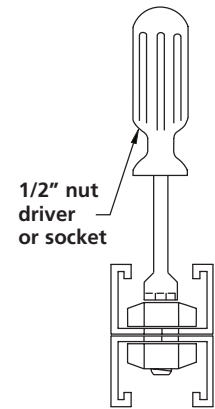


### Strut-to-Strut Clamp

- Surface Finish: Electro-zinc plated
- Provides fast assembly of back-to-back half-slot strut as an alternative to welded strut
- Unique one-piece assembly eliminates the need for washers, bolts and nuts
- For new or retrofit applications
- Allows joining of dissimilar half-slot channel, regardless of profile size or finish
- Easy installation with a 1/2" nut driver

| Part Number | A     | B    | C      | Max. Working Load (lbs) | Recommended Torque |
|-------------|-------|------|--------|-------------------------|--------------------|
| STS         | 1.00" | 1/2" | 1-1/4" | 1000                    | 5 ft. lbs.         |

\*1000 lbs working load per total assembly (5:1 safety factor). Not to exceed 1000 lbs. Half-slot dimensions vary by manufacturer. Minimum half-slot dimensions 9/16" x 7/8". Strut type and structure need to be evaluated to establish load for assembly. Use 1 STS per 1 ft. of strut, minimum of 2 required.



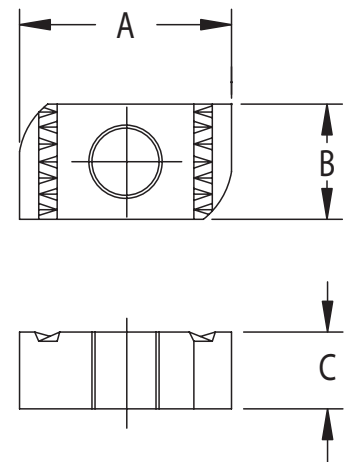
## CHANNEL NUT NUT

### Without Spring

- Size Range: #8, #10, 1/4", 5/16", 3/8", 1/2", 5/8", 3/4" and 7/8" thread sizes
- Surface Finish: Electro-zinc plated
- Fits 'A', 'B', 'D', 'E' and 'M' channels
- Also available in 304 Stainless Steel for 1/4", 3/8" and 1/2" sizes



| Part Number | Thread Size | A      | B      | C    |
|-------------|-------------|--------|--------|------|
| NUT0008EG   | #8 – 32     | 1-3/8" | 3/4"   | 1/4" |
| NUT0010EG   | #10 – 24    | 1-3/8" | 3/4"   | 1/4" |
| NUT0025EG   | 1/4" – 20   | 1-3/8" | 3/4"   | 1/4" |
| NUT0031EG   | 5/16" – 18  | 1-3/8" | 3/4"   | 1/4" |
| NUT0037EG   | 3/8" – 16   | 1-3/8" | 3/4"   | 3/8" |
| NUT0050EG   | 1/2" – 13   | 1-3/8" | 3/4"   | 1/2" |
| NUT0062EG   | 5/8" – 11   | 1-3/8" | 1-1/8" | 1/2" |
| NUT0075EG   | 3/4" – 10   | 1-3/8" | 1-1/8" | 1/2" |
| NUT0087EG   | 7/8" – 9    | 1-3/8" | 1-1/8" | 1/2" |



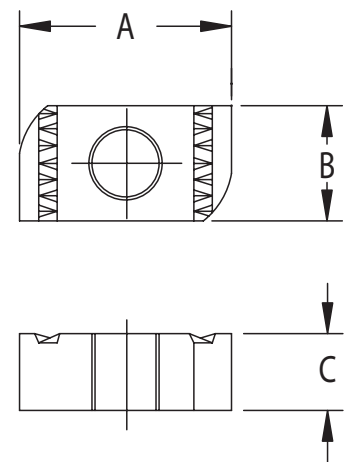
## CHANNEL NUT NUTC

### Without Spring

- Size Range: 1/2", 5/8", 3/4" and 7/8" thread sizes
- Surface Finish: Electro-zinc plated
- Fits 'C' channel
- Also available in 304 Stainless Steel for 1/4", 3/8" and 1/2" sizes



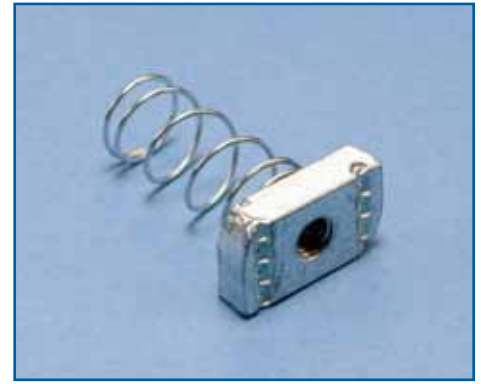
| Part Number | Thread Size | A      | B      | C    |
|-------------|-------------|--------|--------|------|
| NUTC0050EG  | 1/2 - 13    | 1-3/8" | 3/4"   | 3/8" |
| NUTC0062EG  | 5/8 – 11    | 1-3/8" | 1-1/8" | 3/8" |
| NUTC0075EG  | 3/4 - 10    | 1-3/8" | 1-1/8" | 3/8" |
| NUTC0087EG  | 7/8 – 9     | 1-3/8" | 1-1/8" | 3/8" |



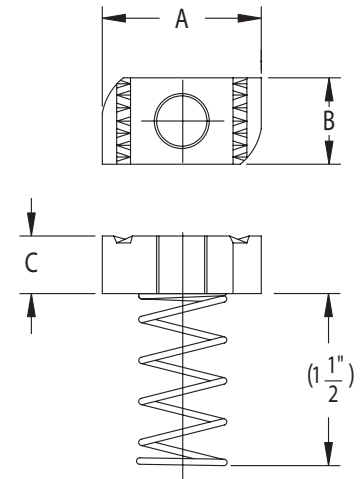
## CHANNEL NUT SPRA

### Spring Nut

- Size Range: #8, #10, 1/4", 5/16", 3/8", 1/2", 5/8", 3/4" and 7/8" thread sizes
- Surface Finish: Electro-zinc plated
- Fits 'A', 'B', and 'M' channels
- Also available in 304 Stainless Steel for 1/4", 3/8" and 1/2" sizes



| Part Number | Thread Size | A      | B      | C    |
|-------------|-------------|--------|--------|------|
| SPRA0008EG  | #8 – 32     | 1-3/8" | 3/4"   | 1/4" |
| SPRA0010EG  | #10 – 24    | 1-3/8" | 3/4"   | 1/4" |
| SPRA0025EG  | 1/4 - 20    | 1-3/8" | 3/4"   | 1/4" |
| SPRA0031EG  | 5/16 – 18   | 1-3/8" | 3/4"   | 1/4" |
| SPRA0037EG  | 3/8 – 16    | 1-3/8" | 3/4"   | 3/8" |
| SPRA0050EG  | 1/2 - 13    | 1-3/8" | 3/4"   | 1/2" |
| SPRA0062EG  | 5/8 – 11    | 1-3/8" | 1-1/8" | 1/2" |
| SPRA0075EG  | 3/4 - 10    | 1-3/8" | 1-1/8" | 1/2" |
| SPRA0087EG  | 7/8 – 9     | 1-3/8" | 1-1/8" | 1/2" |



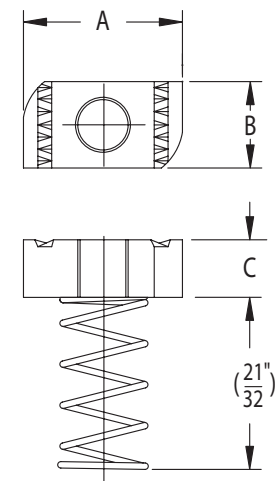
## CHANNEL NUT SPRC

### Spring Nut

- Size Range: #8, #10, 1/4", 5/16", 3/8", 1/2", 5/8", 3/4" and 7/8" thread sizes
- Surface Finish: Electro-zinc plated
- Fits 'C' & 'M' channels
- Also available in 304 Stainless Steel for 1/4", 3/8" and 1/2" sizes



| Part Number | Thread Size | A      | B      | C    |
|-------------|-------------|--------|--------|------|
| SPRC0008EG  | #8 – 32     | 1-3/8" | 3/4"   | 1/4" |
| SPRC0010EG  | #10 – 24    | 1-3/8" | 3/4"   | 1/4" |
| SPRC0025EG  | 1/4 - 20    | 1-3/8" | 3/4"   | 1/4" |
| SPRC0031EG  | 5/16 – 18   | 1-3/8" | 3/4"   | 1/4" |
| SPRC0037EG  | 3/8 – 16    | 1-3/8" | 3/4"   | 3/8" |
| SPRC0050EG  | 1/2 - 13    | 1-3/8" | 3/4"   | 3/8" |
| SPRC0062EG  | 5/8 – 11    | 1-3/8" | 1-1/8" | 3/8" |
| SPRC0075EG  | 3/4 - 10    | 1-3/8" | 1-1/8" | 3/8" |
| SPRC0087EG  | 7/8 – 9     | 1-3/8" | 1-1/8" | 3/8" |



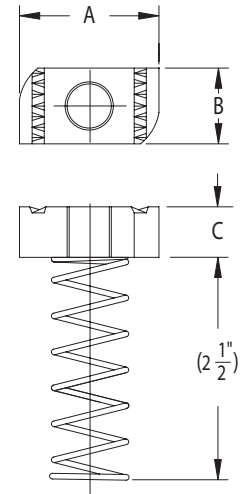
## CHANNEL NUT SPRD

### Spring Nut

- Size Range: #8, #10, 1/4", 5/16", 3/8", 1/2", 5/8" and 3/4" thread sizes
- Surface Finish: Electro-zinc plated
- Fits 'D' and 'E' channels



| Part Number | Thread Size | A      | B      | C    |
|-------------|-------------|--------|--------|------|
| SPRD0025EG  | 1/4 - 20    | 1-3/8" | 3/4"   | 1/4" |
| SPRD0037EG  | 3/8 - 16    | 1-3/8" | 3/4"   | 3/8" |
| SPRD0050EG  | 1/2 - 13    | 1-3/8" | 1-1/8" | 1/2" |
| SPRD0062EG  | 5/8 - 11    | 1-3/8" | 1-1/8" | 1/2" |
| SPRD0075EG  | 3/4 - 10    | 1-3/8" | 1-1/8" | 1/2" |



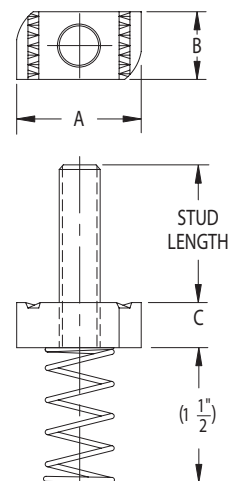
## CHANNEL NUT SPRM

### Spring Nut with Stud

- Size Range: 1/4", 5/16", 3/8", 1/2" and 5/8" thread sizes
- Surface Finish: Electro-zinc plated
- Fits 'A', 'B', and 'M' channels



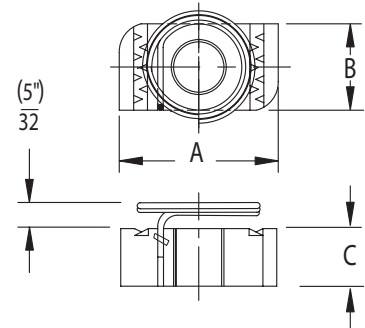
| Part Number | Thread Size | Stud Length | A      | B    | C    |
|-------------|-------------|-------------|--------|------|------|
| SPRM2508EG  | 1/4 - 20    | 7/8"        | 1-3/8" | 3/4" | 1/4" |
| SPRM2511EG  | 1/4 - 20    | 1-1/8"      | 1-3/8" | 3/4" | 1/4" |
| SPRM2515EG  | 1/4 - 20    | 1-1/2"      | 1-3/8" | 3/4" | 1/4" |
| SPRM3708EG  | 3/8 - 16    | 7/8"        | 1-3/8" | 3/4" | 3/8" |
| SPRM3711EG  | 3/8 - 16    | 1-1/8"      | 1-3/8" | 3/4" | 3/8" |
| SPRM3716EG  | 3/8 - 16    | 1-5/8"      | 1-3/8" | 3/4" | 3/8" |
| SPRM3718EG  | 3/8 - 16    | 1-7/8"      | 1-3/8" | 3/4" | 3/8" |
| SPRM3721EG  | 3/8 - 16    | 2-1/8"      | 1-3/8" | 3/4" | 3/8" |
| SPRM5011EG  | 1/2 - 13    | 1-1/8"      | 1-3/8" | 3/4" | 1/2" |
| SPRM5013EG  | 1/2 - 13    | 1-3/8"      | 1-3/8" | 3/4" | 1/2" |



## CHANNEL NUT TSNT

### Top Spring Nut

- Size Range: 1/4", 3/8" and 1/2" thread sizes
- Surface Finish: Electro-zinc plated
- Fits 'A', 'B', 'C', 'D', 'E' and 'M' channels



| Part Number | Thread Size | A      | B    | C    |
|-------------|-------------|--------|------|------|
| TSNT0025EG  | 1/4 - 20    | 1-3/8" | 3/4" | 1/4" |
| TSNT0037EG  | 3/8 - 16    | 1-3/8" | 3/4" | 3/8" |
| TSNT0050EG  | 1/2 - 13    | 1-3/8" | 3/4" | 1/2" |

| Fastener Size | 1/4-20 | 5/16-18 | 3/8-16 | 1/2-13 |
|---------------|--------|---------|--------|--------|
| Foot-lbs      | 6      | 11      | 19     | 50     |
| Nm            | (8)    | (15)    | (26)   | (68)   |

### RESISTANCE TO SLIP

| Thread Size | Part Number                       | Channel Size     | 12 GA (lbs) | 14 GA (lbs) | 16 GA (lbs) |
|-------------|-----------------------------------|------------------|-------------|-------------|-------------|
| #8 - 32     | NUT, NUTC, SPRA, SPRC, SPRD       | A, B, C, D, E, M | 50          | 50          | 50          |
| #10 - 24    | NUT, NUTC, SPRA, SPRC, SPRD       | A, B, C, D, E, M | 100         | 100         | 100         |
| 1/4 - 20    | NUT, NUTC, SPRA, SPRC, SPRD, TSNT | A, B, C, D, E, M | 300         | 300         | 300         |
| 5/16 - 18   | NUT, NUTC, SPRA, SPRC, SPRD       | A, B, C, D, E, M | 450         | 450         | 450         |
| 3/8 - 16    | NUT, NUTC, SPRA, SPRC, SPRD, TSNT | A, B, C, D, E, M | 800         | 800         | 800         |
| 1/2 - 13    | NUT, NUTC, SPRA, SPRC, SPRD, TSNT | A, B, C, M       | 1500        | 1000        | 1000        |
| 5/8 - 11    | NUT, NUTC, SPRA, SPRC, SPRD       | D, E             | 1500        | 1000        | 1000        |
| 3/4 - 10    | NUT, NUTC, SPRA, SPRC, SPRD       | A, B, C, M       | 1500        | 1000        | 1000        |
| 7/8 - 9     | NUT, NUTC, SPRA, SPRC, SPRD       | D, E             | 1500        | 1000        | 1000        |

### PULL OUT STRENGTH

| Thread Size | Part Number                       | Channel Size     | 12 GA (lbs) | 14 GA (lbs) | 16 GA (lbs) |
|-------------|-----------------------------------|------------------|-------------|-------------|-------------|
| #8 - 32     | NUT, NUTC, SPRA, SPRC, SPRD       | A, B, C, D, E, M | 200         | 200         | 200         |
| #10 - 24    | NUT, NUTC, SPRA, SPRC, SPRD       | A, B, C, D, E, M | 250         | 250         | 250         |
| 1/4 - 20    | NUT, NUTC, SPRA, SPRC, SPRD, TSNT | A, B, C, D, E, M | 450         | 450         | 450         |
| 5/16 - 18   | NUT, NUTC, SPRA, SPRC, SPRD       | A, B, C, D, E, M | 750         | 750         | 750         |
| 3/8 - 16    | NUT, NUTC, SPRA, SPRC, SPRD, TSNT | A, B, C, D, E, M | 1100        | 1000        | 1000        |
| 1/2 - 13    | NUT, NUTC, SPRA, SPRC, SPRD, TSNT | A, B, C, M       | 2000        | 1400        | 1000        |
| 1/2 - 13    | NUT, NUTC, SPRA, SPRC, SPRD, TSNT | D, E             | 1500        | 1400        | 1000        |
| 5/8 - 11    | NUT, NUTC, SPRA, SPRC, SPRD       | A, B, C, M       | 2000        | 1400        | 1000        |
| 5/8 - 11    | NUT, NUTC, SPRA, SPRC, SPRD       | D, E             | 1500        | 1400        | 1000        |
| 3/4 - 10    | NUT, NUTC, SPRA, SPRC, SPRD       | A, B, C, M       | 2000        | 1400        | 1000        |
| 3/4 - 10    | NUT, NUTC, SPRA, SPRC, SPRD       | D, E             | 1500        | 1400        | 1000        |
| 7/8 - 9     | NUT, NUTC, SPRA, SPRC, SPRD       | A, B, C, M       | 2000        | 1400        | 1000        |
| 7/8 - 9     | NUT, NUTC, SPRA, SPRC, SPRD       | D, E             | 1500        | 1400        | 1000        |

## HARDWARE NUT SQNT

### Square Nut

- Size Range: 1/4", 3/8", 1/2" and 5/8" thread sizes
- Surface Finish: Electro-zinc plated

| Part Number | Thread Size |
|-------------|-------------|
| SQNT0025EG  | 1/4 - 20    |
| SQNT0037EG  | 3/8 - 16    |
| SQNT0050EG  | 1/2 - 13    |
| SQNT0062EG  | 5/8 - 11    |

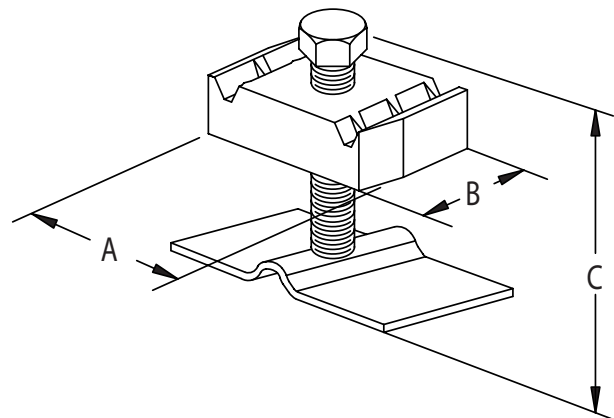
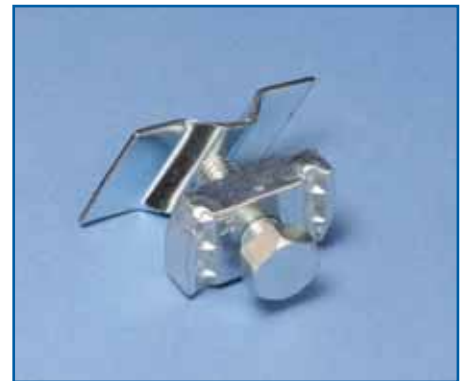


## VERTICAL ROD STIFFENER VS

### Threaded Rod Support

- Size Range: 1/2" rod size
- Surface Finish: Electro-zinc plated
- Fits 'A', 'B', 'D', and 'E' channels

| Part Number | Thread Size | A      | B      | C      |
|-------------|-------------|--------|--------|--------|
| VS0050EG    | 1/2 - 13    | 1-3/8" | 13/16" | 1-5/8" |



## STRUT BEAM CLAMP STCB

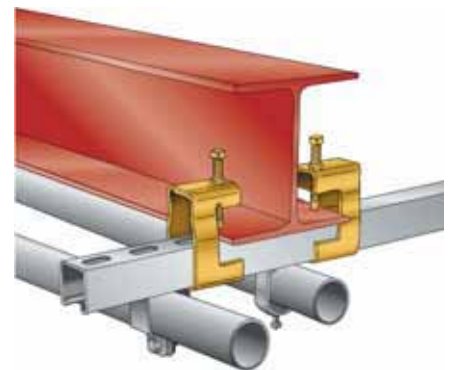
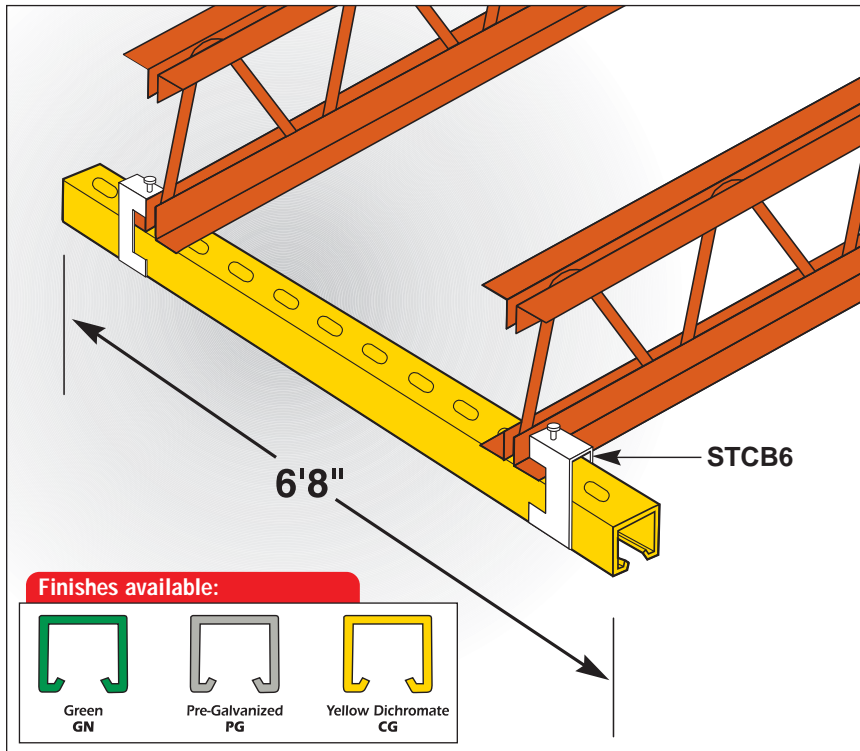
### Channel to Beam Clamp STCB

- Size Range: 3/8" rod size
- Surface Finish: Electro-zinc plated
- Structural attachment to beams to support threaded rod and/or strut
- Maximum flange thickness: 3/4" when used with 1-5/8" strut and 1-5/8" when used with 13/16" strut



| Part Number | RS     | A        | B        | C       | Max. Rec. Load (lbs.)* |
|-------------|--------|----------|----------|---------|------------------------|
| STCB6       | 3/8-16 | 3-13/16" | 1-15/16" | 1-5/32" | 400                    |

\* Load rating is per fastener



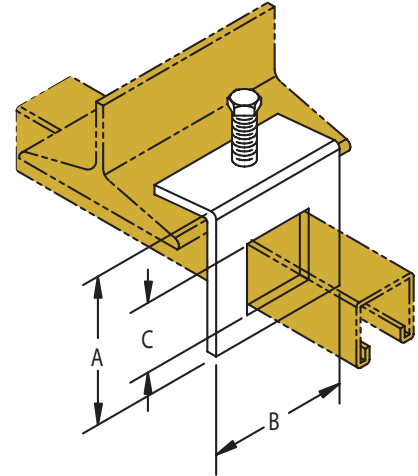
## STRUT BEAM CLAMP BC16

### Channel to Beam Clamp

- Surface Finish: Electro-zinc plated
- Structural attachment to beams to support strut
- Fits 'A' and 'D' channels

| Part Number | A        | B      | C      | Max. Rec. Load (lbs.)* |
|-------------|----------|--------|--------|------------------------|
| BC16A000EG  | 3-1/2"   | 3-1/2" | 1-3/4" | 900                    |
| BC16C000EG  | 2-11/16" | 3-1/2" | 15/16" | 900                    |

\* When used in pairs



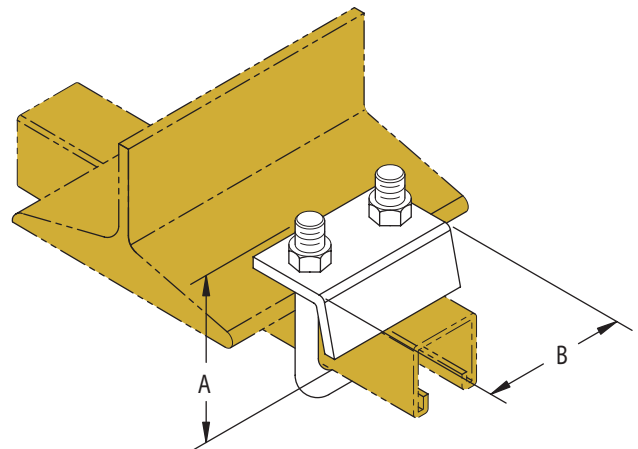
## STRUT BEAM CLAMP BC17

### Channel to Beam Clamp

- Surface Finish: Electro-zinc plated
- Structural attachment to beams to support strut
- Fits 'A' and 'D' channels

| Part Number | A      | B  | Max. Rec. Load (lbs.)* |
|-------------|--------|----|------------------------|
| BC17A000EG  | 3-3/8" | 3" | 1200                   |
| BC17D000EG  | 5"     | 3" | 1200                   |

\* When used in pairs

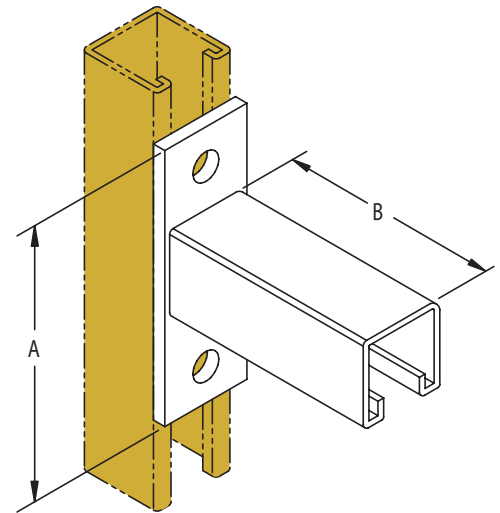


## CHANNEL BRACKET BR22

### Strut Bracket

- Surface Finish: Electro-zinc plated
- Strut bracket that attaches to strut
- Fits all standard strut depths

| Part Number | A      | B   | Max. Rec. Uniform Load (lbs.) |
|-------------|--------|-----|-------------------------------|
| BR220600EG  | 4-5/8" | 6"  | 1800                          |
| BR221200EG  | 4-5/8" | 12" | 1000                          |
| BR221800EG  | 4-5/8" | 18" | 700                           |
| BR222400EG  | 4-5/8" | 24" | 500                           |
| BR223000EG  | 4-5/8" | 30" | 350                           |
| BR223600EG  | 4-5/8" | 36" | 300                           |

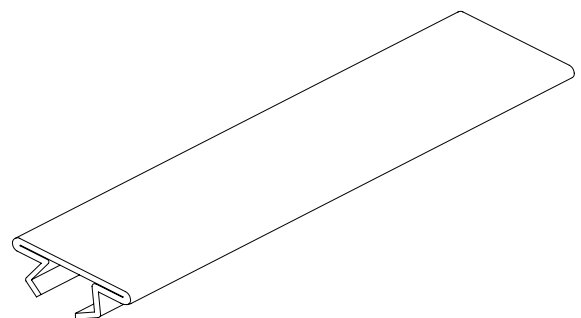


## STRUT COVER

### Closure Strip for Channels

- Fits all standard strut profiles
- Available in plastic, EG, Green and Cal-Gold color

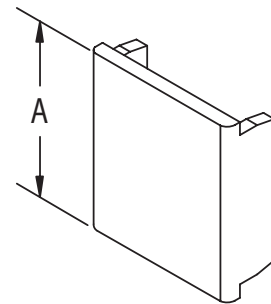
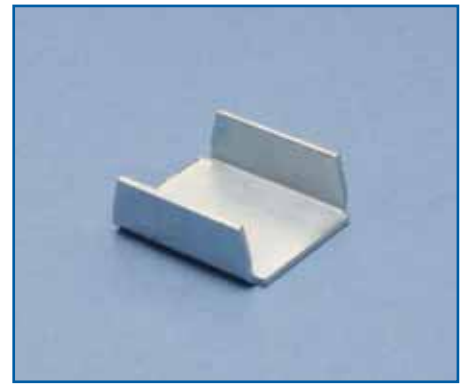
| Part Number | Color    |
|-------------|----------|
| CL100000EG  | EG       |
| CL100000PS  | Plastic  |
| CL100000GN  | Green    |
| CL100000CG  | Cal-Gold |



## STRUT END CAPS ENDC

- Fits 'A', 'B', 'C', 'D', 'E' and 'M' strut profiles
- Surface Finish: Electro-zinc plated

| Part Number | Strut GA | A      |
|-------------|----------|--------|
| ENDCA120EG  | A12      | 1-5/8" |
| ENDCA140EG  | A14      | 1-5/8" |
| ENDCB120EG  | B12      | 1-3/8" |
| ENDCC140EG  | C14      | 13/16" |
| ENDCE120EG  | E12      | 3-1/4" |

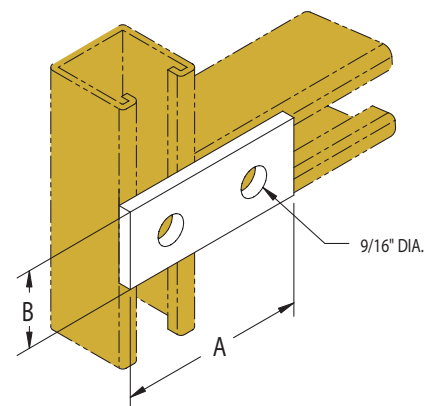


## STRUT SPLICE PLATE F09

### Two-hole Splice Plate

- Surface Finish: Electro-zinc plated

| Part Number | A      | B      |
|-------------|--------|--------|
| F090000EG   | 3-1/2" | 1-5/8" |

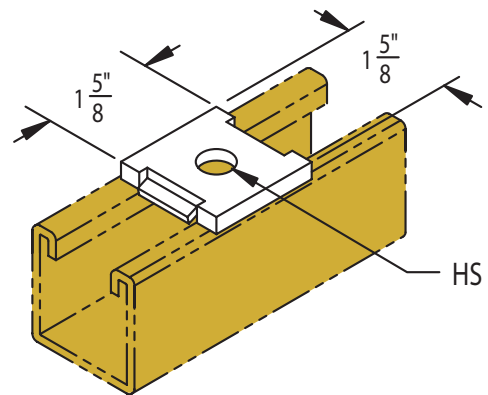
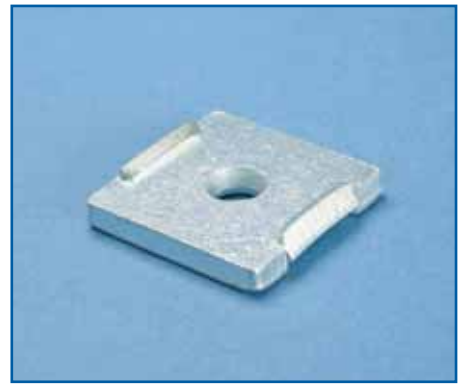


## STRUT WASHER F10 – F12

### Notched Channel Washer

- Surface Finish: Electro-zinc plated

| Part Number | HS     | Bolt Size |
|-------------|--------|-----------|
| F100000EG   | 3/8"   | 5/16"     |
| F110000EG   | 7/16"  | 3/8"      |
| F120000EG   | 9/16"  | 1/2"      |
| F120062EG   | 11/16" | 5/8"      |
| F120075EG   | 13/16" | 3/4"      |

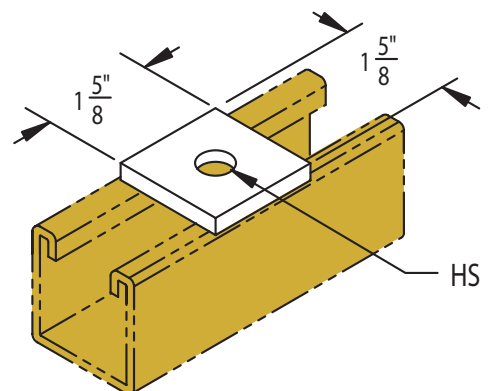
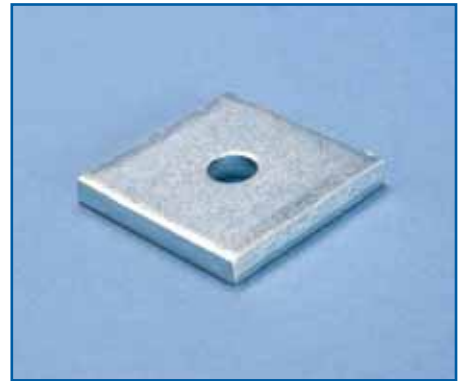


## STRUT WASHER F13 – F18

### Square Channel Washer

- Surface Finish: Electro-zinc plated

| Part Number | HS     | Bolt Size |
|-------------|--------|-----------|
| F130000EG   | 3/8"   | 5/16"     |
| F140000EG   | 7/16"  | 3/8"      |
| F150000EG   | 9/16"  | 1/2"      |
| F160000EG   | 11/16" | 5/8"      |
| F170000EG   | 13/16" | 3/4"      |
| F180000EG   | 15/16" | 7/8"      |

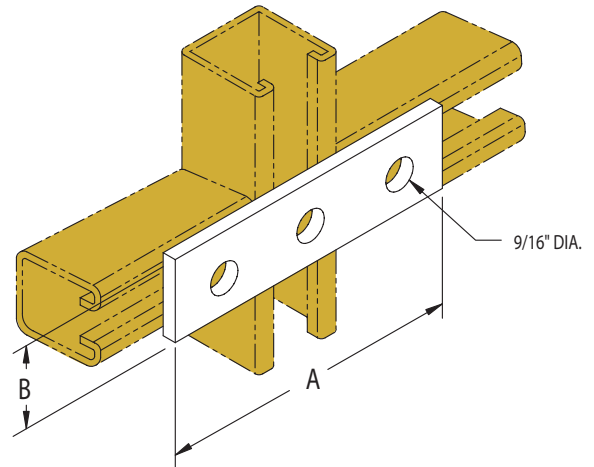


## STRUT SPLICE PLATE F20

### Three-hole Splice Plate

- Surface Finish: Electro-zinc plated

| Part Number | A      | B      |
|-------------|--------|--------|
| F200000EG   | 5-3/8" | 1-5/8" |

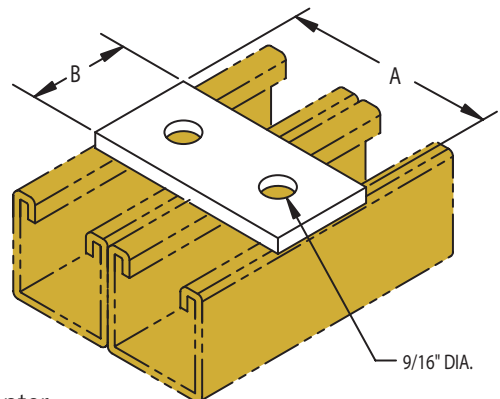


## STRUT SPLICE PLATE F22

### Two-hole Splice Plate

- Surface Finish: Electro-zinc plated

| Part Number | A      | B      |
|-------------|--------|--------|
| F220000EG   | 3-1/4" | 1-5/8" |



FITTING SPECIFICATIONS (unless noted otherwise):

Hole sizes 9/16", Spacing 13/16" from edge and 1-7/8" on center

Width 1-5/8", Thickness 1/4", Standard Finish: EG

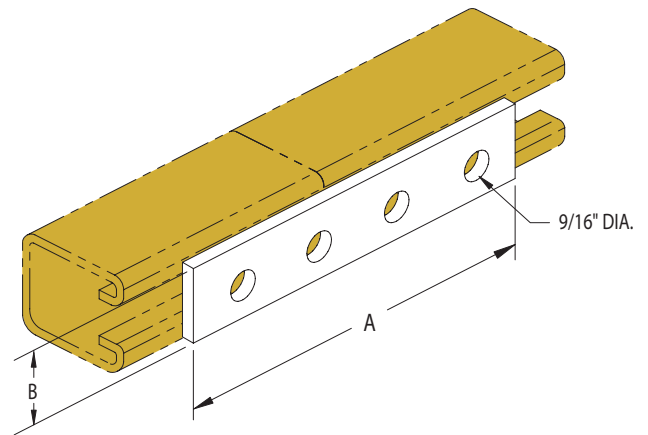


## STRUT SPLICE PLATE F23

### Four-hole Splice Plate

- Surface Finish: Electro-zinc plated

| Part Number | A      | B      |
|-------------|--------|--------|
| F230000EG   | 7-1/4" | 1-5/8" |

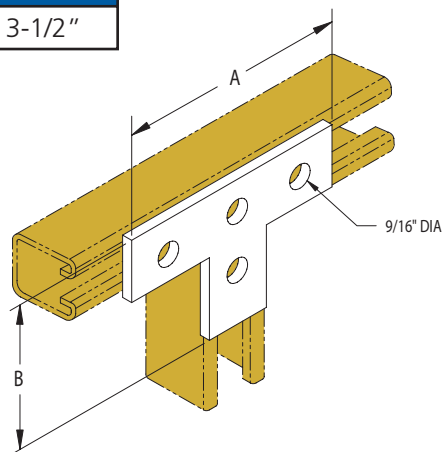
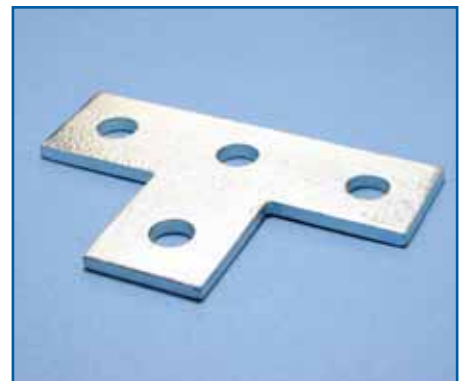


## STRUT GUSSET PLATE F25

### Four-hole Tee Gusset Plate

- Surface Finish: Electro-zinc plated

| Part Number | A      | B      |
|-------------|--------|--------|
| F250000EG   | 5-3/8" | 3-1/2" |



FITTING SPECIFICATIONS (unless noted otherwise):

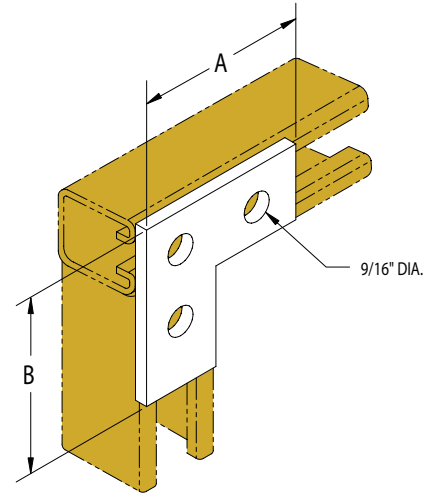
Hole sizes 9/16", Spacing 13/16" from edge and 1-7/8" on center  
 Width 1-5/8", Thickness 1/4", Standard Finish: EG

## STRUT HALF TEE PLATE F36

### Three-hole Half Tee Plate

- Surface Finish: Electro-zinc plated

| Part Number | A      | B      |
|-------------|--------|--------|
| F360000EG   | 3-1/2" | 3-1/2" |

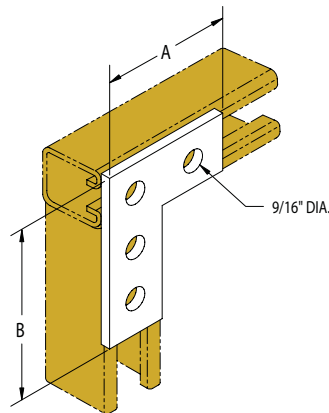


## STRUT HALF TEE PLATE F37

### Four-hole Half Tee Plate

- Surface Finish: Electro-zinc plated

| Part Number | A      | B      |
|-------------|--------|--------|
| F370000EG   | 3-1/2" | 5-3/8" |



FITTING SPECIFICATIONS (unless noted otherwise):

Hole sizes 9/16", Spacing 13/16" from edge and 1-7/8" on center  
 Width 1-5/8", Thickness 1/4", Standard Finish: EG

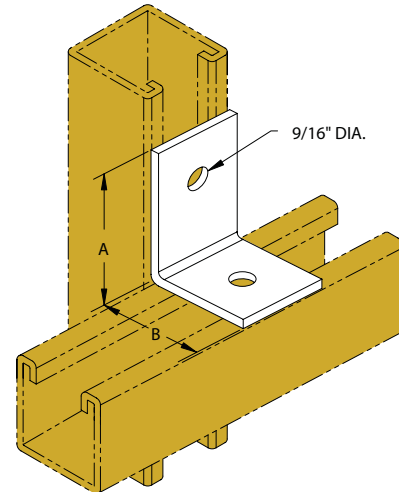


## STRUT ANGLE L10

### Two-hole Corner Angle

- Surface Finish: Electro-zinc plated

| Part Number | A      | B      |
|-------------|--------|--------|
| L100000EG   | 2-1/4" | 1-5/8" |

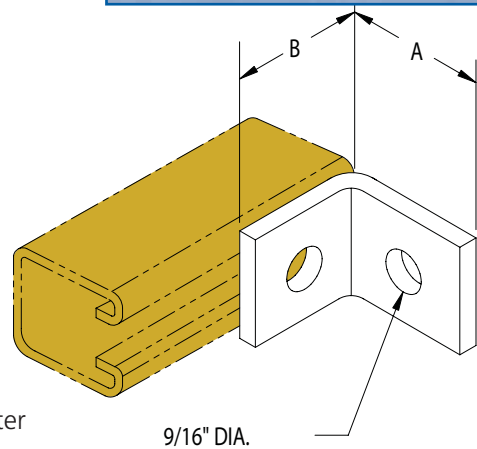


## STRUT ANGLE L11

### Two-hole Corner Angle

- Surface Finish: Electro-zinc plated

| Part Number | A  | B      |
|-------------|----|--------|
| L110000EG   | 2" | 1-7/8" |



FITTING SPECIFICATIONS (unless noted otherwise):

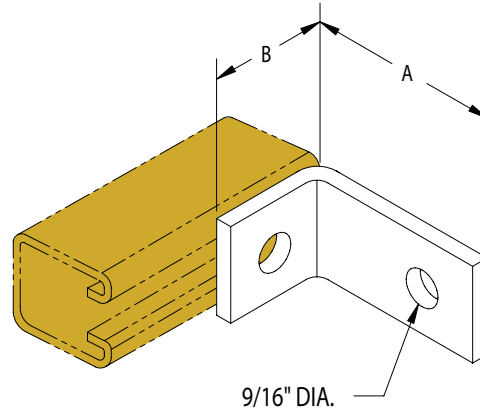
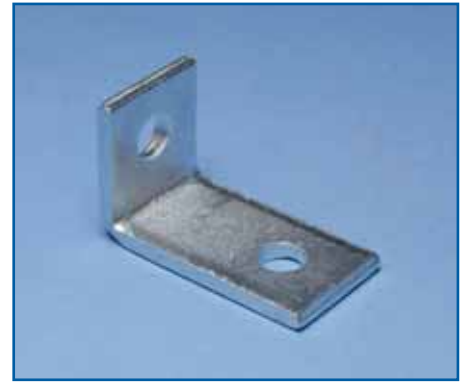
Hole sizes 9/16", Spacing 13/16" from edge and 1-7/8" on center  
 Width 1-5/8", Thickness 1/4", Standard Finish: EG

## STRUT ANGLE L12

### Two-hole Corner Angle

- Surface Finish: Electro-zinc plated

| Part Number | A      | B      |
|-------------|--------|--------|
| L120300EG   | 3"     | 1-7/8" |
| L120350EG   | 3-1/2" | 1-7/8" |
| L120400EG   | 4"     | 1-7/8" |

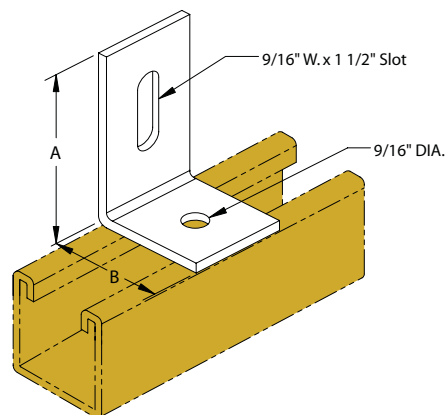
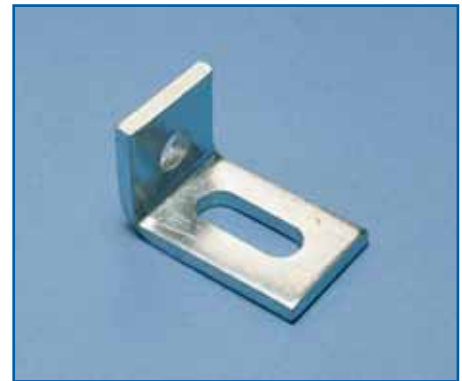


## STRUT ANGLE L15

### One-slot / One-hole Angle

- Surface Finish: Electro-zinc plated

| Part Number | A      | B      |
|-------------|--------|--------|
| L150000EG   | 2-5/8" | 1-5/8" |



FITTING SPECIFICATIONS (unless noted otherwise):

Hole sizes 9/16", Spacing 13/16" from edge and 1-7/8" on center  
 Width 1-5/8", Thickness 1/4", Standard Finish: EG

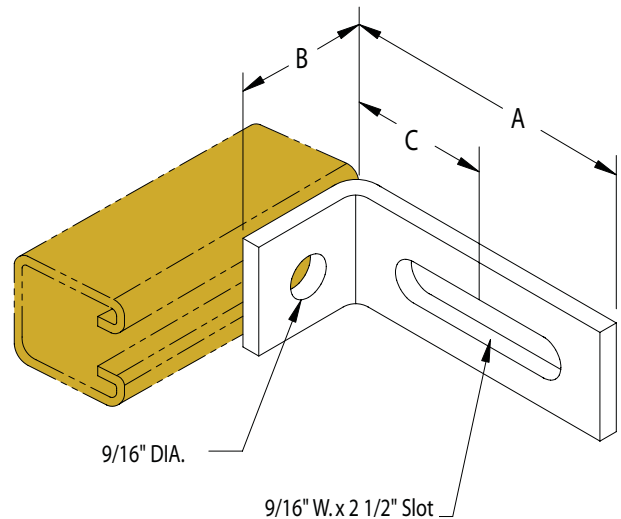


## STRUT ANGLE L16 – L17

### One-slot / One-hole Angle

- Surface Finish: Electro-zinc plated

| Part Number | A      | B      | C      |
|-------------|--------|--------|--------|
| L160000EG   | 4-7/8" | 1-7/8" | 2-1/2" |
| L170000EG   | 6-7/8" | 1-7/8" | 4-1/4" |

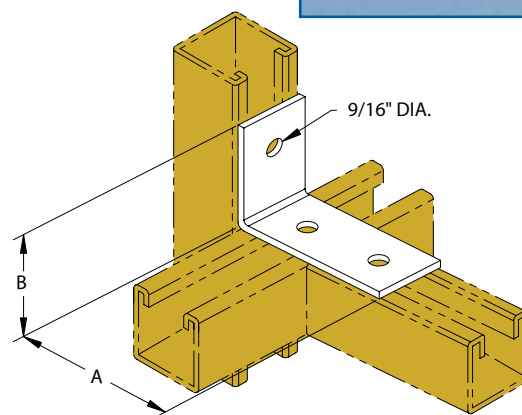


## STRUT ANGLE L18

### Three-hole Corner Angle

- Surface Finish: Electro-zinc plated

| Part Number | A      | B      |
|-------------|--------|--------|
| L180000EG   | 3-1/2" | 2-1/2" |



FITTING SPECIFICATIONS (unless noted otherwise):

Hole sizes 9/16", Spacing 13/16" from edge and 1-7/8" on center

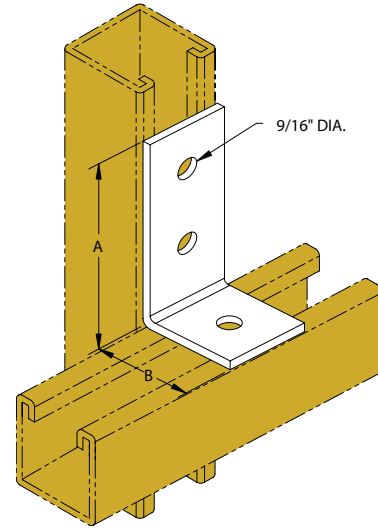
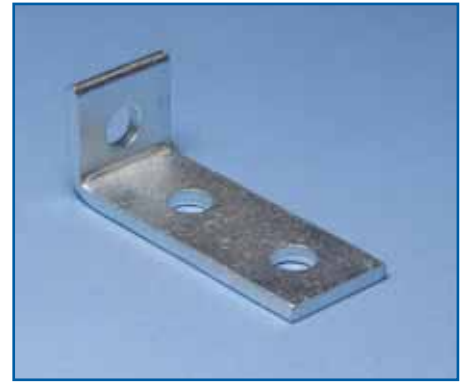
Width 1-5/8", Thickness 1/4", Standard Finish: EG

## STRUT ANGLE L19 – L20

### Three-hole Corner Angle

- Surface Finish: Electro-zinc plated

| Part Number | A      | B      |
|-------------|--------|--------|
| L190000EG   | 3-7/8" | 1-7/8" |
| L200000EG   | 4-1/8" | 1-5/8" |

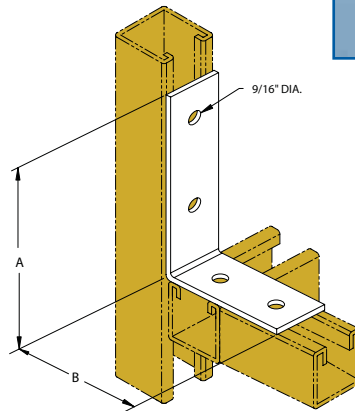
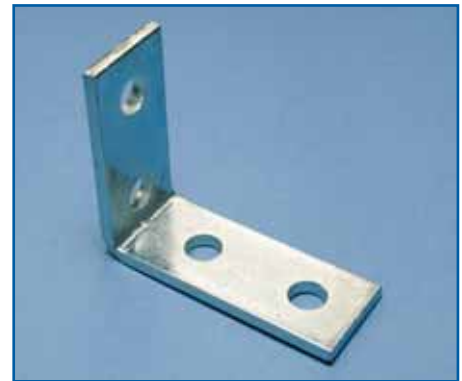


## STRUT ANGLE L22

### Four-hole Corner Angle

- Surface Finish: Electro-zinc plated

| Part Number | A      | B      |
|-------------|--------|--------|
| L220000EG   | 4-1/8" | 3-1/2" |



FITTING SPECIFICATIONS (unless noted otherwise):

Hole sizes 9/16", Spacing 13/16" from edge and 1-7/8" on center

Width 1-5/8", Thickness 1/4", Standard Finish: EG

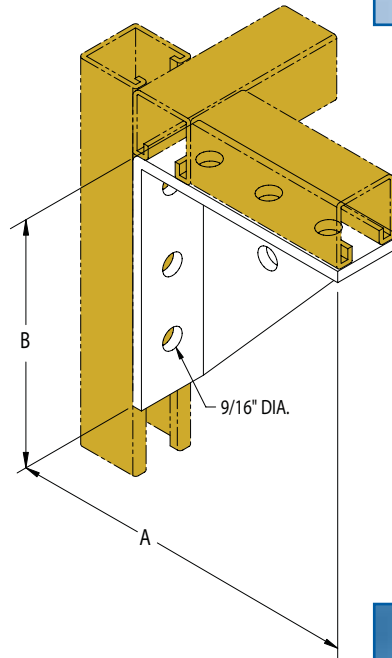
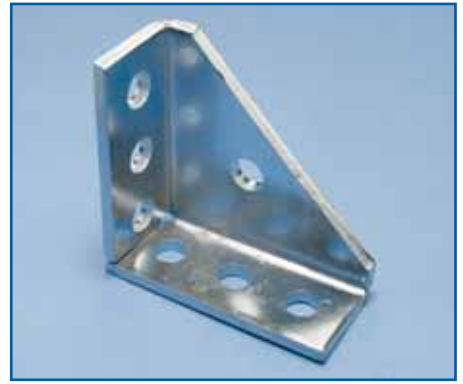


## STRUT ANGLE L23

### Seven-hole Corner Angle

- Surface Finish: Electro-zinc plated

| Part Number | A      | B      |
|-------------|--------|--------|
| L23U0000EG  | 4-1/8" | 4-1/8" |

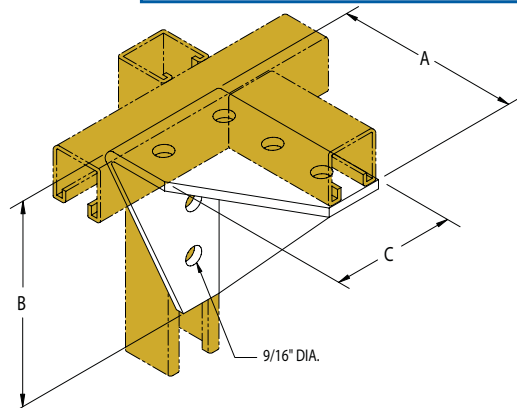
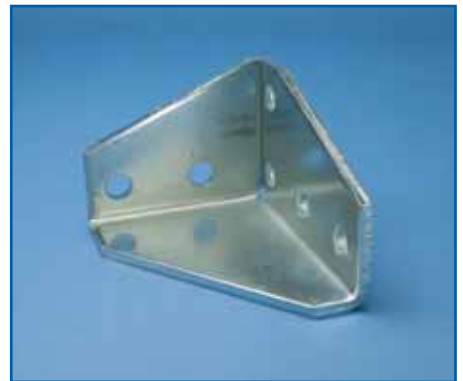


## STRUT ANGLE L24

### Six-hole Corner Angle

- Surface Finish: Electro-zinc plated
- Available for left or right hand use (right hand shown)

| Part Number | A      | B      | C      |
|-------------|--------|--------|--------|
| L24L0000EG  | 5-3/8" | 4-1/8" | 3-1/2" |
| L24R0000EG  | 5-3/8" | 4-1/8" | 3-1/2" |



FITTING SPECIFICATIONS (unless noted otherwise):

Hole sizes 9/16", Spacing 13/16" from edge and 1-7/8" on center

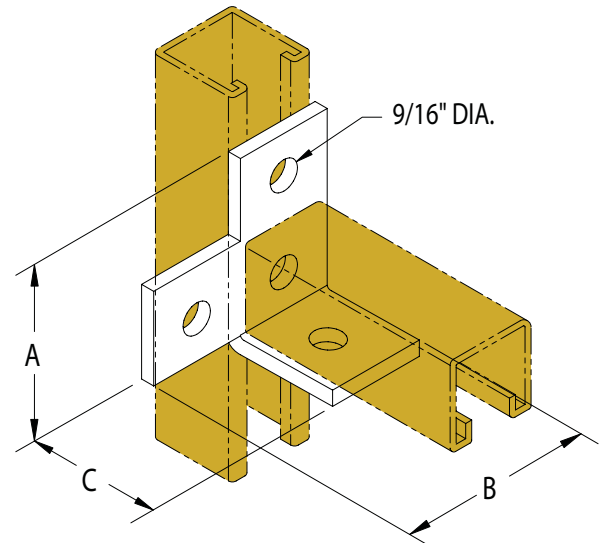
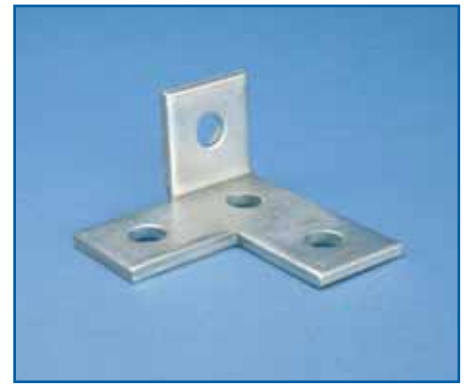
Width 1-5/8", Thickness 1/4", Standard Finish: EG

## STRUT ANGLE L25

### Four-hole Offset Corner Angle

- Surface Finish: Electro-zinc plated
- Available for left or right hand use (right hand shown)

| Part Number | A      | B      | C      |
|-------------|--------|--------|--------|
| L25L0000EG  | 3-3/4" | 3-1/2" | 1-7/8" |
| L25R0000EG  | 3-3/4" | 3-1/2" | 1-7/8" |

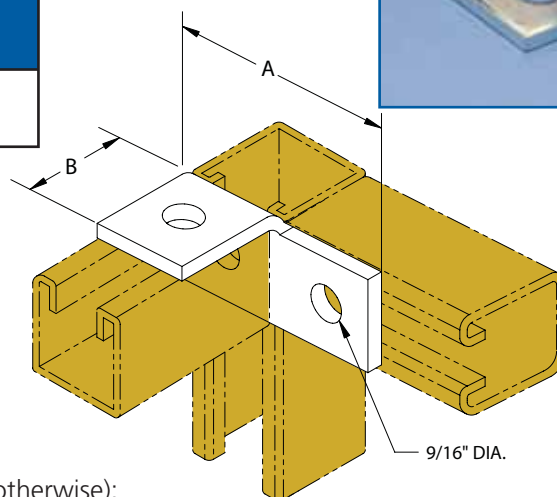
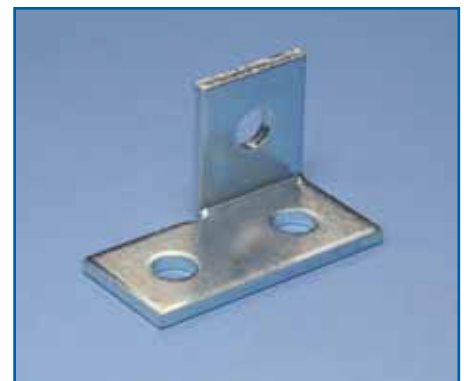


## STRUT ANGLE L26

### Three-hole Offset Corner Angle

- Surface Finish: Electro-zinc plated
- Available for left or right hand use (right hand shown)

| Part Number | A      | B  |
|-------------|--------|----|
| L26L0000EG  | 3-1/2" | 2" |
| L26R0000EG  | 3-1/2" | 2" |



FITTING SPECIFICATIONS (unless noted otherwise):

Hole sizes 9/16", Spacing 13/16" from edge and 1-7/8" on center  
 Width 1-5/8", Thickness 1/4", Standard Finish: EG

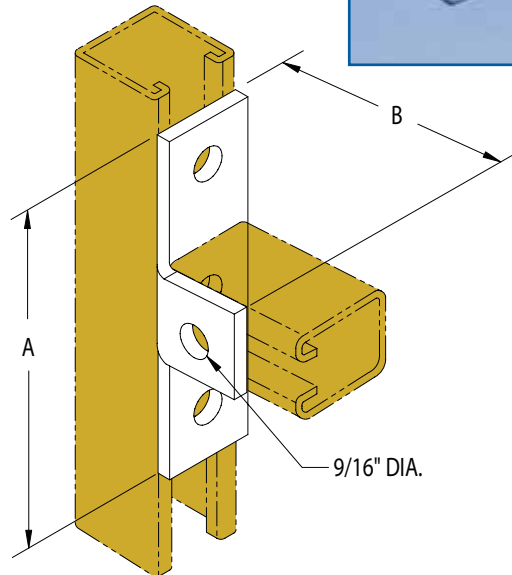


## STRUT ANGLE L27

### Four-hole Offset Corner Angle

- Surface Finish: Electro-zinc plated

| Part Number | A      | B        |
|-------------|--------|----------|
| L270000EG   | 5-3/8" | 1-15/16" |

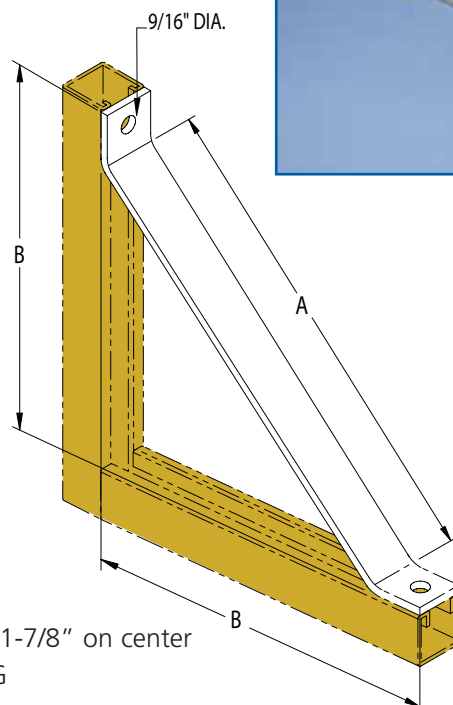


## STRUT ANGLE L44

### Two-hole 45° Angle

- Surface Finish: Electro-zinc plated

| Part Number | A   | B        |
|-------------|-----|----------|
| L441200EG   | 12" | 10-1/2"  |
| L441600EG   | 16" | 13-5/16" |
| L441800EG   | 18" | 14-3/4"  |



FITTING SPECIFICATIONS (unless noted otherwise):

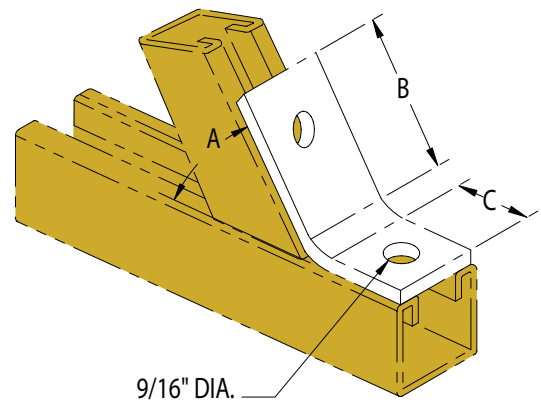
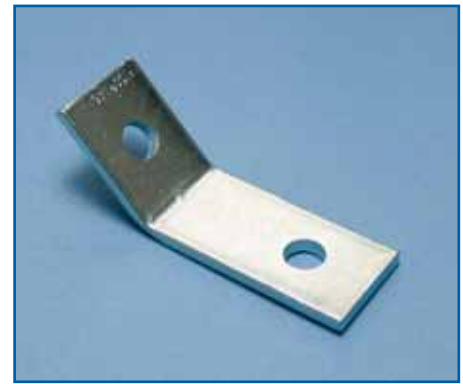
Hole sizes 9/16", Spacing 13/16" from edge and 1-7/8" on center  
 Width 1-5/8", Thickness 1/4", Standard Finish: EG

## STRUT ANGLE L46

### Two-hole Open Angle

- Surface Finish: Electro-zinc plated
- May be ordered with 'A' angle of 30°, 45° or 60°

| Part Number | A   | B       | C       |
|-------------|-----|---------|---------|
| L460300EG   | 30° | 3-3/16" | 2-5/32" |
| L460450EG   | 45° | 3-5/32" | 2-1/4"  |
| L460600EG   | 60° | 3-3/32" | 2-9/32" |

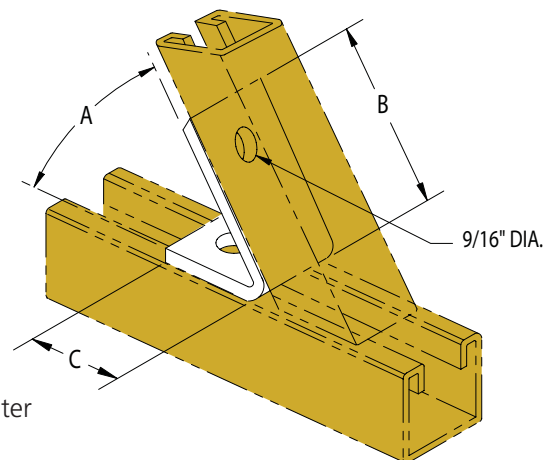
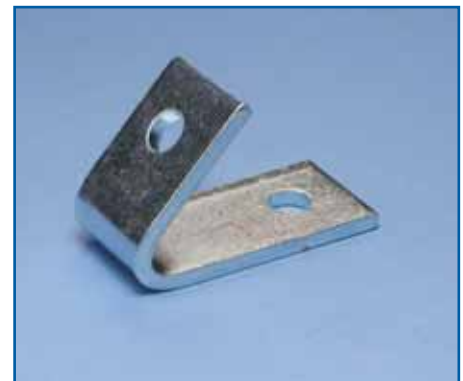


## STRUT ANGLE L47

### Two-hole Closed Angle

- Surface Finish: Electro-zinc plated
- May be ordered with 'A' angle of 30°, 45°, 60° or 82.5°

| Part Number | A     | B      | C      |
|-------------|-------|--------|--------|
| L470300EG   | 30°   | 3-1/2" | 2-1/2" |
| L470450EG   | 45°   | 3-1/2" | 2-1/2" |
| L470600EG   | 60°   | 3-1/2" | 2-1/2" |
| L470825EG   | 82.5° | 3-1/2" | 2-1/2" |



FITTING SPECIFICATIONS (unless noted otherwise):

Hole sizes 9/16", Spacing 13/16" from edge and 1-7/8" on center  
Width 1-5/8", Thickness 1/4", Standard Finish: EG

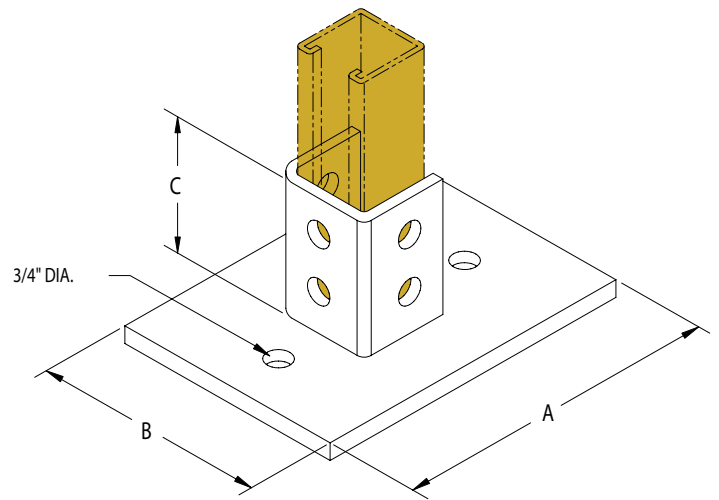


## STRUT POST BASE P09

### Post Base for 'A' Channel

- Surface Finish: Electro-zinc plated

| Part Number | A  | B      | C      |
|-------------|----|--------|--------|
| P090000EG   | 6" | 3-1/2" | 3-1/2" |

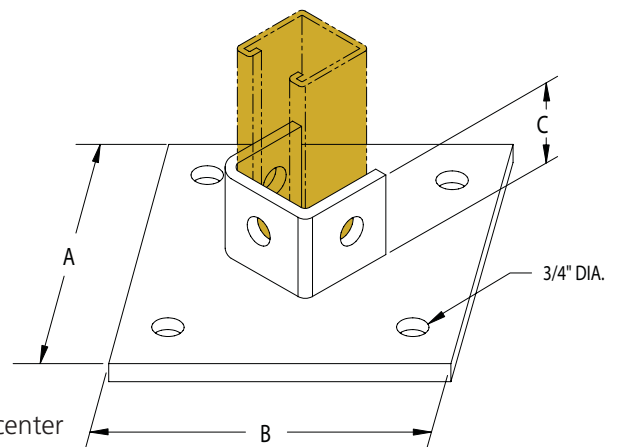
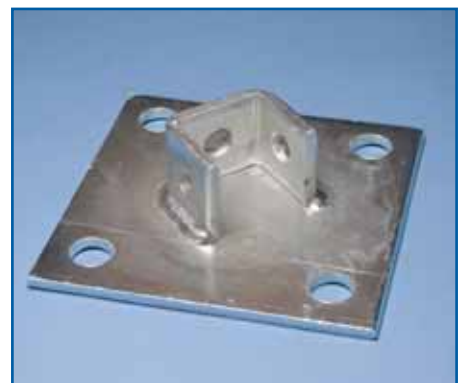


## STRUT POST BASE P10

### Post Base for 'A' Channel

- Surface Finish: Electro-zinc plated

| Part Number | A  | B  | C      |
|-------------|----|----|--------|
| P100000EG   | 6" | 6" | 1-5/8" |



### FITTING SPECIFICATIONS (unless noted otherwise):

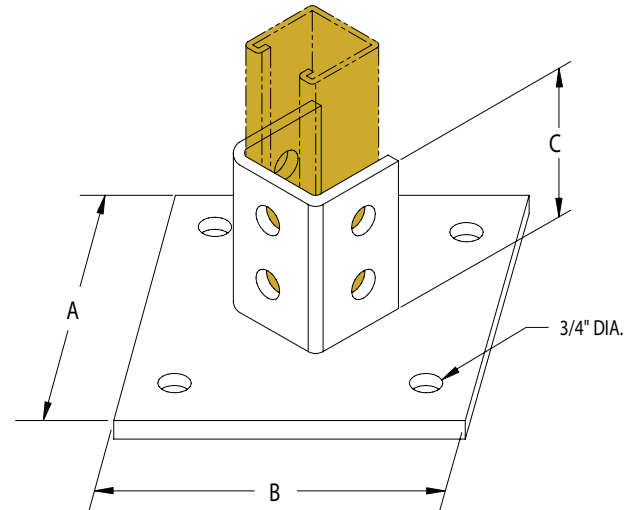
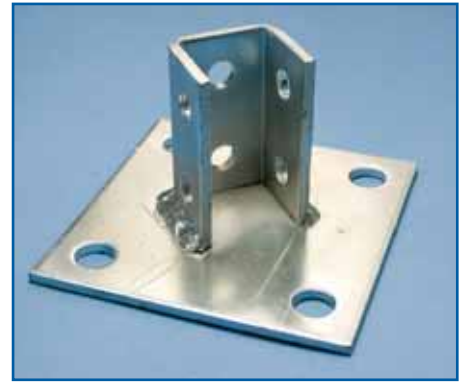
Hole sizes 9/16", Spacing 13/16" from edge and 1-7/8" on center  
 Width 1-5/8", Thickness 1/4", Standard Finish: EG

## STRUT POST BASE P11

### Post Base for 'A' Channel

- Surface Finish: Electro-zinc plated

| Part Number | A  | B  | C      |
|-------------|----|----|--------|
| P110000EG   | 6" | 6" | 3-1/2" |

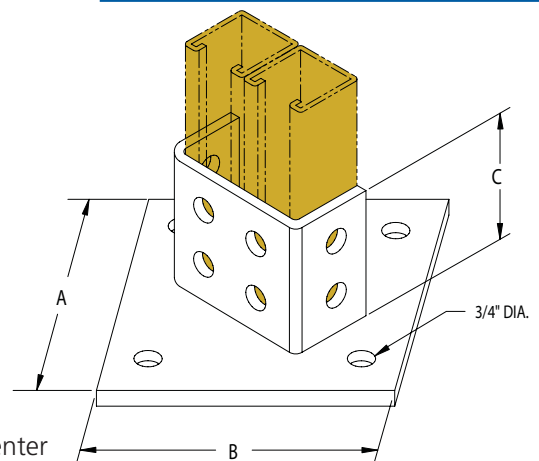
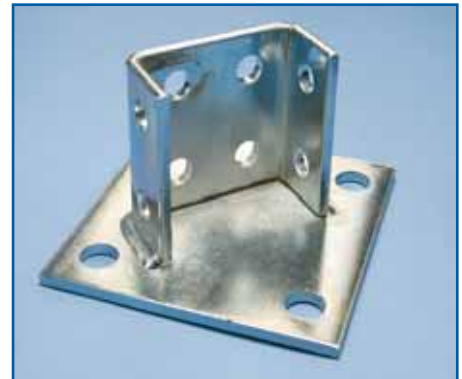


## STRUT POST BASE P13

### Post Base for Welded Channel

- Surface Finish: Electro-zinc plated

| Part Number | A  | B  | C      |
|-------------|----|----|--------|
| P130000EG   | 6" | 6" | 3-1/2" |



FITTING SPECIFICATIONS (unless noted otherwise):

Hole sizes 9/16", Spacing 13/16" from edge and 1-7/8" on center  
 Width 1-5/8", Thickness 1/4", Standard Finish: EG



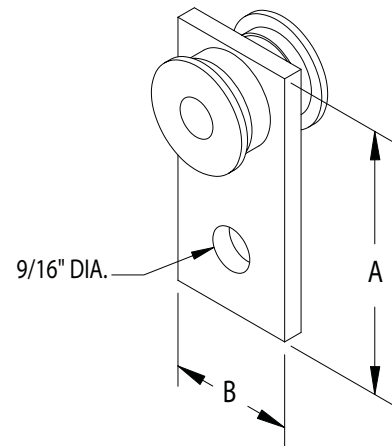
## STRUT TROLLEY ROL10

### Single Trolley

- Surface Finish: Electro-zinc plated
- For use with A12, A14, D12 or E12 channels
- Wheels: 1-3/8" diameter



| Part Number | A      | B      |
|-------------|--------|--------|
| ROL10000EG  | 3-1/2" | 1-5/8' |



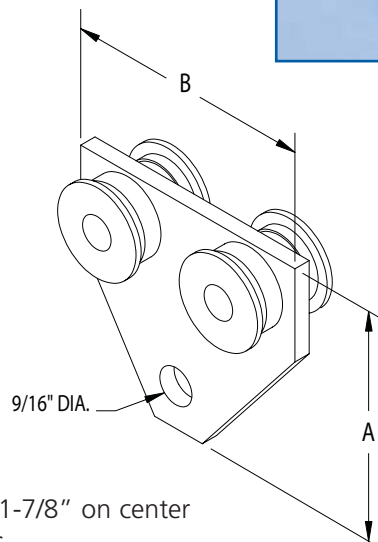
## STRUT TROLLEY ROL11

### Double Trolley

- Surface Finish: Electro-zinc plated
- For use with A12, A14, D12 or E12 channels
- Wheels: 1-3/8" diameter



| Part Number | A        | B      |
|-------------|----------|--------|
| ROL11000EG  | 3-11/16" | 3-1/2" |



FITTING SPECIFICATIONS (unless noted otherwise):

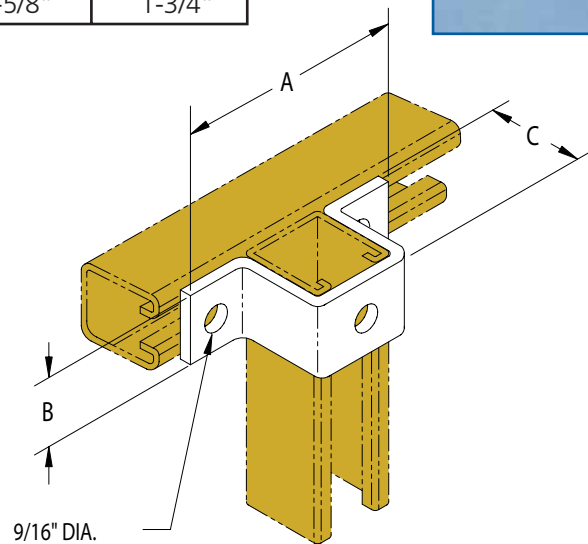
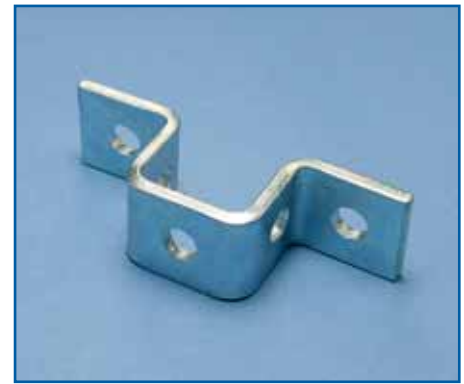
Hole sizes 9/16", Spacing 13/16" from edge and 1-7/8" on center  
 Width 1-5/8", Thickness 1/4", Standard Finish: EG

## STRUT SUPPORT U10A

### Three-hole Channel Support

- Surface Finish: Electro-zinc plated
- For use with 'A' channels

| Part Number | A      | B      | C      |
|-------------|--------|--------|--------|
| U10A0000EG  | 5-3/8" | 1-5/8" | 1-3/4" |

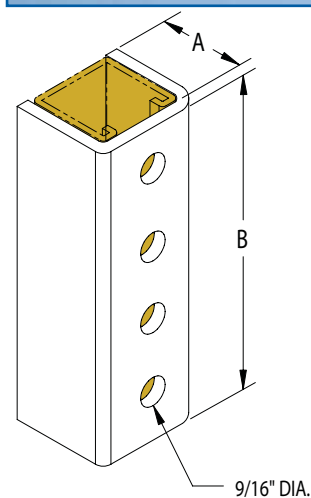


## STRUT SPLICE U24

### Four-hole Splice

- Surface Finish: Electro-zinc plated
- For use with 'A', 'C' and 'D' channels

| Part Number | A       | B      | Channel Type |
|-------------|---------|--------|--------------|
| U24A0000EG  | 1-5/8"  | 7-1/4" | A            |
| U24C0000EG  | 13/16"  | 7-1/4" | C            |
| U24D0000EG  | 2-7/16" | 7-1/4" | D            |



FITTING SPECIFICATIONS (unless noted otherwise):

Hole sizes 9/16", Spacing 13/16" from edge and 1-7/8" on center  
 Width 1-5/8", Thickness 1/4", Standard Finish: EG

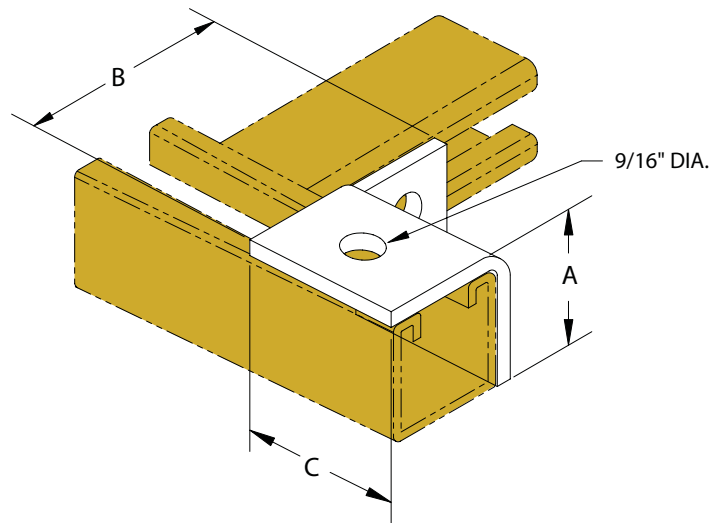
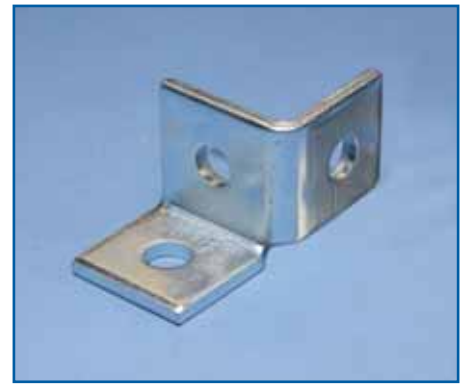


## STRUT CORNER CONNECTOR W10

### 2-hole Single Corner Connector

- Surface Finish: Electro-zinc plated
- Available for left or right hand use (right hand shown)

| Part Number | A      | B      | C      |
|-------------|--------|--------|--------|
| W10L0000EG  | 1-3/4" | 3-1/2" | 1-7/8" |
| W10R0000EG  | 1-3/4" | 3-1/2" | 1-7/8" |

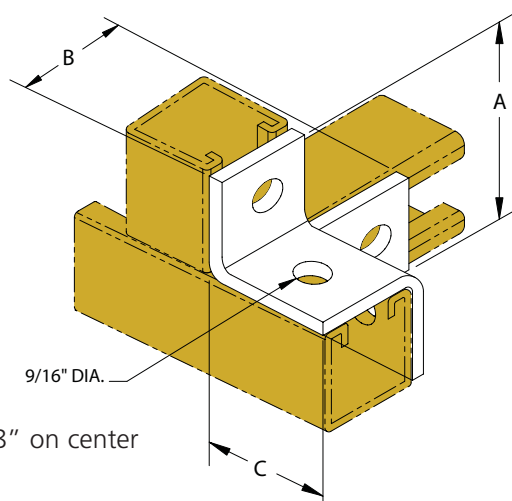
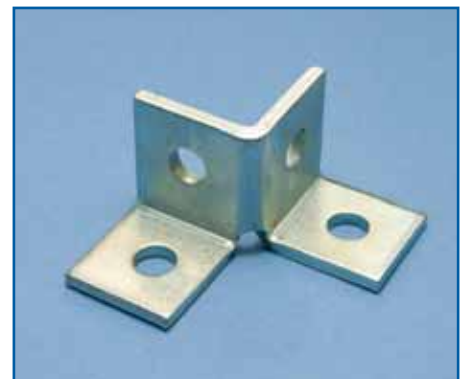


## STRUT CORNER CONNECTOR W12

### 4-hole Double Corner Connector

- Surface Finish: Electro-zinc plated

| Part Number | A      | B      | C      |
|-------------|--------|--------|--------|
| W120000EG   | 3-1/2" | 3-1/2" | 1-7/8" |



FITTING SPECIFICATIONS (unless noted otherwise):

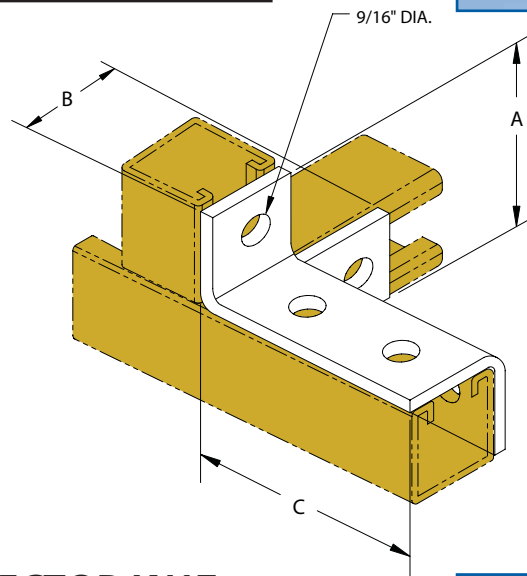
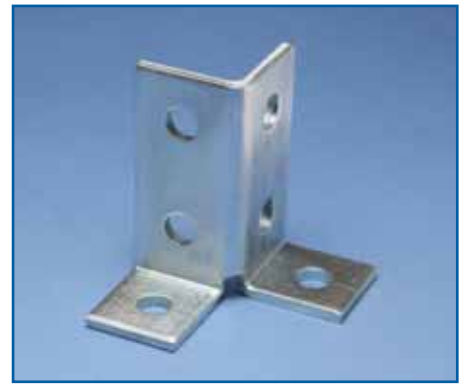
Hole sizes 9/16", Spacing 13/16" from edge and 1-7/8" on center  
 Width 1-5/8", Thickness 1/4", Standard Finish: EG

## STRUT CORNER CONNECTOR W13

### Six-hole Double Corner Connector

- Surface Finish: Electro-zinc plated

| Part Number | A      | B      | C      |
|-------------|--------|--------|--------|
| W130000EG   | 3-3/4" | 3-3/4" | 3-7/8" |

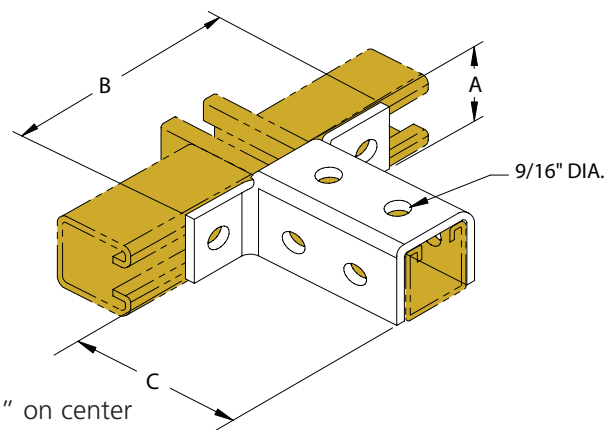


## STRUT CORNER CONNECTOR W17

### Eight-hole Double Corner Connector

- Surface Finish: Electro-zinc plated

| Part Number | A      | B        | C      |
|-------------|--------|----------|--------|
| W170000EG   | 1-3/4" | 5-13/32" | 3-3/4" |



FITTING SPECIFICATIONS (unless noted otherwise):

Hole sizes 9/16", Spacing 13/16" from edge and 1-7/8" on center  
 Width 1-5/8", Thickness 1/4", Standard Finish: EG

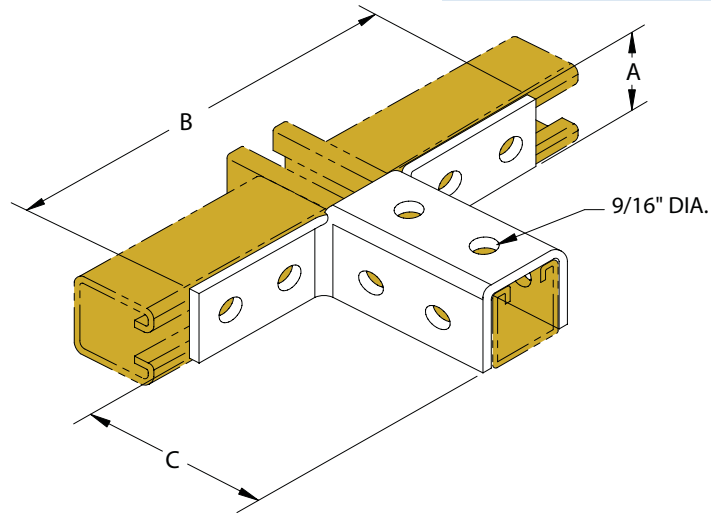


## STRUT CORNER CONNECTOR W18

### Ten-hole Double Corner Connector

- Surface Finish: Electro-zinc plated

| Part Number | A      | B       | C      |
|-------------|--------|---------|--------|
| W180000EG   | 1-3/4" | 9-5/32" | 3-3/4" |

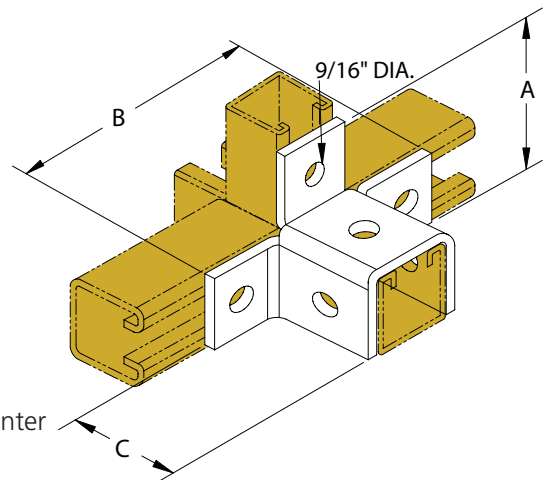
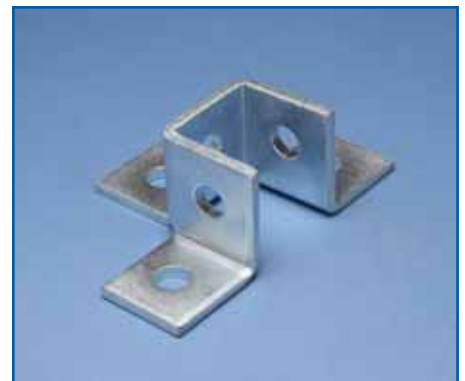


## STRUT WING CONNECTOR W19

### Six-hole Triple Wing Connector

- Surface Finish: Electro-zinc plated

| Part Number | A      | B       | C  |
|-------------|--------|---------|----|
| W190000EG   | 3-1/2" | 5-7/16" | 2" |



FITTING SPECIFICATIONS (unless noted otherwise):

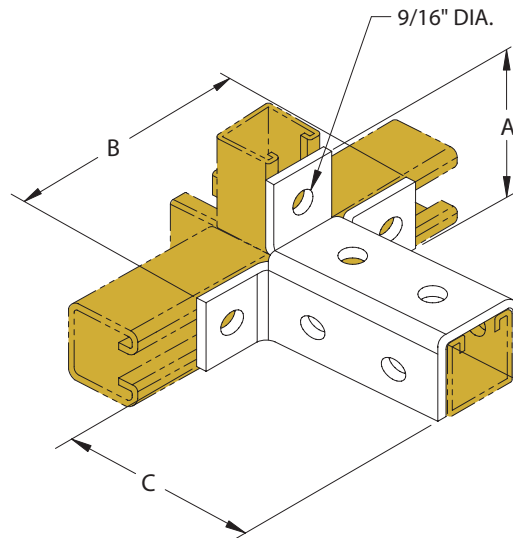
Hole sizes 9/16", Spacing 13/16" from edge and 1-7/8" on center  
 Width 1-5/8", Thickness 1/4", Standard Finish: EG

## STRUT WING CONNECTOR W20

### Nine-hole Triple Wing Connector

- Surface Finish: Electro-zinc plated

| Part Number | A      | B       | C      |
|-------------|--------|---------|--------|
| W200000EG   | 3-1/2" | 5-7/16" | 3-3/4" |

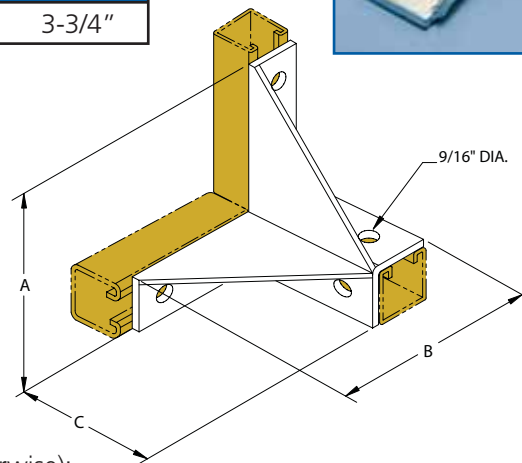


## STRUT GUSSET CONNECTOR W23

### Eight-hole Double Gusset Connector

- Surface Finish: Electro-zinc plated

| Part Number | A      | B      | C      |
|-------------|--------|--------|--------|
| W230000EG   | 5-3/8" | 5-3/8" | 3-3/4" |



FITTING SPECIFICATIONS (unless noted otherwise):

Hole sizes 9/16", Spacing 13/16" from edge and 1-7/8" on center  
 Width 1-5/8", Thickness 1/4", Standard Finish: EG





Page 210

**105**



Page 211

**406**



Page 212

**305**



Page 213

**150**



Page 214

**OD**



Page 215

**RIGD**



## SWIVEL LOOP HANGER 105

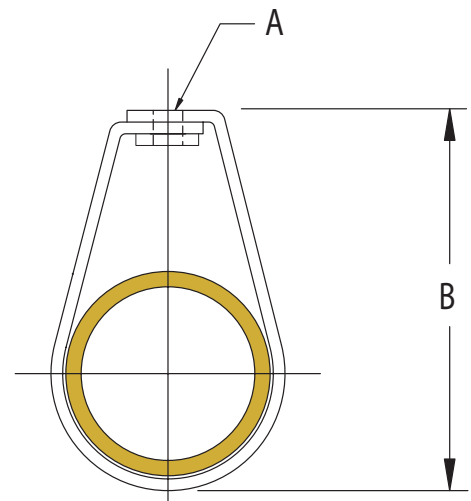
### 304 Stainless Steel Band Hanger

- Size Range: 1/2" through 8"
- Recommended for the suspension of stationary stainless steel pipe lines
- Conforms with Federal Specification WW-H-171 (Type 10), Manufacturers Standardization Society (MSS) SP-58 and SP-69 (Type 10)



**NOTE:** Swivel nut not furnished with hanger.  
Stainless steel hex nuts recommended for use with hanger

| Part Number | Nominal Pipe Size | A      | B       | Max. Rec. Load (lbs.) |
|-------------|-------------------|--------|---------|-----------------------|
| 1050050S4   | 1/2"              | 7/16"  | 2-3/16" | 610                   |
| 1050075S4   | 3/4"              | 7/16"  | 3-1/16" | 610                   |
| 1050100S4   | 1"                | 7/16"  | 3-5/16" | 610                   |
| 1050125S4   | 1-1/4"            | 7/16"  | 3-5/8"  | 610                   |
| 1050150S4   | 1-1/2"            | 7/16"  | 4"      | 610                   |
| 1050200S4   | 2"                | 7/16"  | 4-3/8"  | 610                   |
| 1050250S4   | 2-1/2"            | 9/16"  | 4-7/8"  | 970                   |
| 1050300S4   | 3"                | 9/16"  | 5-1/2"  | 970                   |
| 1050350S4   | 3-1/2"            | 9/16"  | 6"      | 970                   |
| 1050400S4   | 4"                | 11/16" | 6-1/2"  | 1250                  |
| 1050500S4   | 5"                | 11/16" | 7-9/16" | 1250                  |
| 1050600S4   | 6"                | 13/16" | 8-5/8"  | 1600                  |
| 1050800S4   | 8"                | 13/16" | 10-5/8" | 1800                  |



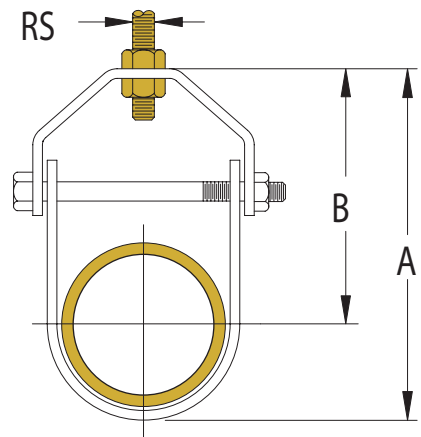
## CLEVIS HANGER 406

### Standard Duty 304 Stainless Steel

- Size Range: 1/2" through 24"
- Recommended for the suspension of stationary non-insulated stainless steel pipe lines
- Conforms with Federal Specification WW-H-171 (Type 1), Manufacturers Standardization Society (MSS) SP-58 and SP-69 (Type 1)



| Part Number | Nominal Pipe Size | RS    | A        | B        | Max. Rec. Load (lbs.) |
|-------------|-------------------|-------|----------|----------|-----------------------|
| 4060050S4   | 1/2"              | 3/8   | 2-1/8"   | 1-5/8"   | 610                   |
| 4060075S4   | 3/4"              | 3/8   | 2-3/8"   | 1-3/4"   | 610                   |
| 4060100S4   | 1"                | 3/8   | 2-3/4"   | 2-1/16"  | 610                   |
| 4060125S4   | 1-1/4"            | 3/8   | 3-5/16"  | 2-3/8"   | 610                   |
| 4060150S4   | 1-1/2"            | 3/8   | 3-15/16" | 2-15/16" | 610                   |
| 4060200S4   | 2"                | 3/8   | 4-1/2"   | 3-1/4"   | 610                   |
| 4060250S4   | 2-1/2"            | 1/2   | 5-1/4"   | 3-1/4"   | 1130                  |
| 4060300S4   | 3"                | 1/2   | 6"       | 4-1/8"   | 1130                  |
| 4060350S4   | 3-1/2"            | 1/2   | 6-1/2"   | 4-7/16"  | 1130                  |
| 4060400S4   | 4"                | 5/8   | 7-3/4"   | 5-3/8"   | 1130                  |
| 4060500S4   | 5"                | 5/8   | 9-3/4"   | 6-13/16" | 1430                  |
| 4060600S4   | 6"                | 3/4   | 11-3/4"  | 8-1/4"   | 1940                  |
| 4060800S4   | 8"                | 3/4   | 14"      | 9-1/2"   | 2000                  |
| 4061000S4   | 10"               | 7/8   | 16-1/2"  | 10-7/8"  | 3600                  |
| 4061200S4   | 12"               | 7/8   | 18-5/8"  | 12"      | 3800                  |
| 4061400S4   | 14"               | 1     | 21-3/4"  | 14-1/2"  | 4200                  |
| 4061600S4   | 16"               | 1     | 24"      | 15-3/4"  | 4600                  |
| 4061800S4   | 18"               | 1-1/8 | 26-3/4"  | 17-1/2"  | 4800                  |
| 4062000S4   | 20"               | 1-1/4 | 30"      | 19-5/8"  | 4800                  |
| 4062400S4   | 24"               | 1-1/4 | 34-1/8"  | 21-3/4"  | 4800                  |



## BEAM CLAMP 305

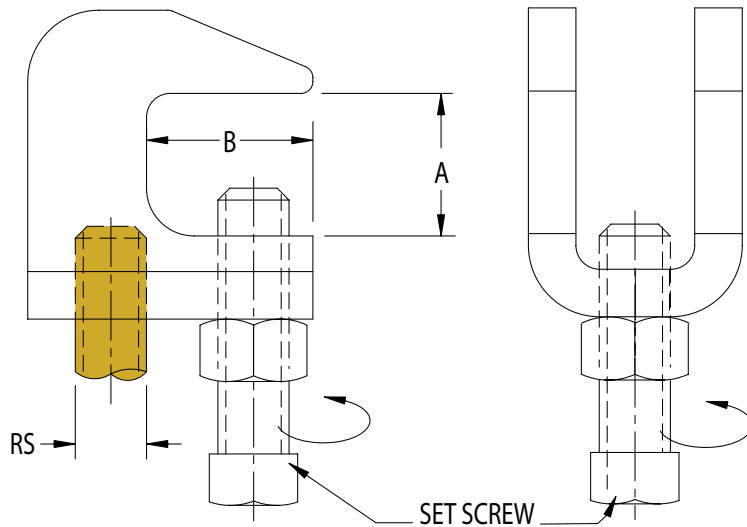
### 316 Stainless Steel Top Mount Beam Clamp

- Size Range: 3/8" and 1/2" rod sizes
- Structural attachment to top flange of metal beams, purlins, channel, or angle iron where the flange thickness does not exceed 5/8"
- Conforms with Federal Specification WW-H-171 (Type 23), Manufacturers Standardization Society ANSI/MSS-SP-58 (Type 19 & 23), install in accordance with ANSI/MSS-SP-69



**NOTE:** Set screw must be tightened and torqued to 60-inch pounds onto the sloped side of the I-beam, channel, or angle iron flange.

| Part Number | RS   | A    | B    | Set Screw | Max. Rec. Load (lbs.) |
|-------------|------|------|------|-----------|-----------------------|
| 3050037S6   | 3/8" | 3/4" | 7/8" | 3/8"      | 500                   |
| 3050050S6   | 1/2" | 3/4" | 7/8" | 3/8"      | 1130                  |



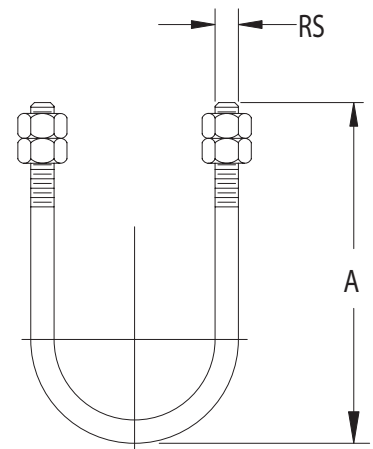
## PIPE FIXINGS 150

### 304 Stainless Steel Standard U-bolt

- Size Range: 1/2" through 18"
- Pipe support for general piping applications
- Comes with two nuts installed on each end of U-bolt



| Part Number | Nominal Pipe Size | RS   | A         | Max. Rec. Load (lbs.) |
|-------------|-------------------|------|-----------|-----------------------|
| 150M0050S4  | 1/2"              | 1/4" | 3-1/2"    | 435                   |
| 150M0075S4  | 3/4"              | 1/4" | 3-9/16"   | 435                   |
| 150M0100S4  | 1"                | 1/4" | 3-11/16"  | 435                   |
| 150M0125S4  | 1-1/4"            | 3/8" | 4-1/8"    | 1090                  |
| 150M0150S4  | 1-1/2"            | 3/8" | 4-5/16"   | 1090                  |
| 150M0200S4  | 2"                | 3/8" | 4-13/16"  | 1090                  |
| 150M0250S4  | 2-1/2"            | 1/2" | 5-3/4"    | 2020                  |
| 150M0300S4  | 3"                | 1/2" | 6-5/16"   | 2020                  |
| 150M0400S4  | 4"                | 1/2" | 7-5/16"   | 2020                  |
| 150M0500S4  | 5"                | 1/2" | 8-5/16"   | 2020                  |
| 150M0600S4  | 6"                | 5/8" | 10-1/8"   | 3230                  |
| 150M0800S4  | 8"                | 5/8" | 12-1/8"   | 3230                  |
| 150M1000S4  | 10"               | 3/4" | 14-9/16"  | 4830                  |
| 150M1200S4  | 12"               | 7/8" | 16-15/16" | 6730                  |
| 150M1400S4  | 14"               | 7/8" | 18-3/16"  | 6730                  |
| 150M1600S4  | 16"               | 7/8" | 20-3/16"  | 6730                  |
| 150M1800S4  | 18"               | 1"   | 22-11/16" | 8850                  |



## STRUT PIPE CLAMPS OD

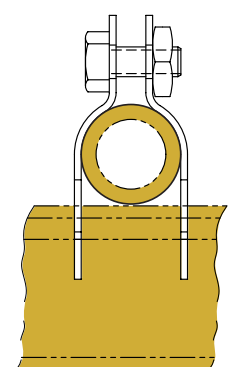
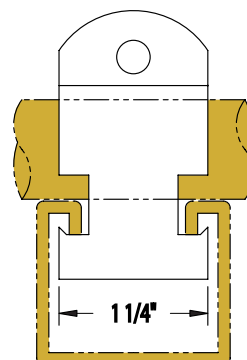
### 304 Stainless Steel Four-piece Strut Clamps

- Size Range: 1/4" thru 8-5/8"
- Other sizes available upon request
- Four-piece design includes slotted hex head machine screw and square nut



| Part Number | OD Size (in) | Strap GA | Max. Rec. Load (lbs.) |
|-------------|--------------|----------|-----------------------|
| OD0025S4    | 1/4"         | 17GA     | 400                   |
| OD0037S4    | 3/8"         | 17GA     | 400                   |
| OD0050S4    | 1/2"         | 17GA     | 400                   |
| OD0062S4    | 5/8"         | 17GA     | 400                   |
| OD0075S4    | 3/4"         | 17GA     | 400                   |
| OD0087S4    | 7/8"         | 17GA     | 400                   |
| OD0100S4    | 1"           | 15GA     | 600                   |
| OD0112S4    | 1-1/8"       | 15GA     | 600                   |
| OD0125S4    | 1-1/4"       | 15GA     | 600                   |
| OD0137S4    | 1-3/8"       | 15GA     | 600                   |
| OD0150S4    | 1-1/2"       | 15GA     | 600                   |
| OD0162S4    | 1-5/8"       | 15GA     | 600                   |
| OD0175S4    | 1-3/4"       | 13GA     | 800                   |
| OD0187S4    | 1-7/8"       | 13GA     | 800                   |
| OD0200S4    | 2"           | 13GA     | 800                   |
| OD0212S4    | 2-1/8"       | 13GA     | 800                   |
| OD0225S4    | 2-1/4"       | 13GA     | 800                   |
| OD0237S4    | 2-3/8"       | 13GA     | 800                   |
| OD0250S4    | 2-1/2"       | 13GA     | 800                   |
| OD0262S4    | 2-5/8"       | 13GA     | 800                   |
| OD0275S4    | 2-3/4"       | 13GA     | 800                   |
| OD0287S4    | 2-7/8"       | 13GA     | 800                   |
| OD0300S4    | 3"           | 13GA     | 800                   |
| OD0312S4    | 3-1/8"       | 13GA     | 800                   |
| OD0325S4    | 3-1/4"       | 13GA     | 800                   |
| OD0337S4    | 3-3/8"       | 13GA     | 800                   |
| OD0350S4    | 3-1/2"       | 13GA     | 1000                  |
| OD0362S4    | 3-5/8"       | 12GA     | 1000                  |
| OD0375S4    | 3-3/4"       | 12GA     | 1000                  |
| OD0387S4    | 3-7/8"       | 12GA     | 1000                  |
| OD0400S4    | 4"           | 12GA     | 1000                  |
| OD0412S4    | 4-1/8"       | 12GA     | 1000                  |
| OD0425S4    | 4-1/4"       | 12GA     | 1000                  |
| OD0437S4    | 4-3/8"       | 12GA     | 1000                  |
| OD0450S4    | 4-1/2"       | 12GA     | 1000                  |
| OD0462S4    | 4-5/8"       | 12GA     | 1000                  |
| OD0475S4    | 4-3/4"       | 12GA     | 1000                  |
| OD0487S4    | 4-7/8"       | 12GA     | 1000                  |

| Part Number | OD Size (in) | Strap GA | Max. Rec. Load (lbs.) |
|-------------|--------------|----------|-----------------------|
| OD0500S4    | 5"           | 12GA     | 1000                  |
| OD0512S4    | 5-1/8"       | 12GA     | 1000                  |
| OD0525S4    | 5-1/4"       | 12GA     | 1000                  |
| OD0537S4    | 5-3/8"       | 12GA     | 1000                  |
| OD0550S4    | 5-1/2"       | 12GA     | 1000                  |
| OD0562S4    | 5-5/8"       | 10GA     | 1000                  |
| OD0575S4    | 5-3/4"       | 10GA     | 1000                  |
| OD0587S4    | 5-7/8"       | 10GA     | 1000                  |
| OD0600S4    | 6"           | 10GA     | 1000                  |
| OD0612S4    | 6-1/8"       | 10GA     | 1000                  |
| OD0625S4    | 6-1/4"       | 10GA     | 1000                  |
| OD0637S4    | 6-3/8"       | 10GA     | 1000                  |
| OD0650S4    | 6-1/2"       | 10GA     | 1000                  |
| OD0662S4    | 6-5/8"       | 10GA     | 1000                  |
| OD0675S4    | 6-3/4"       | 10GA     | 1000                  |
| OD0687S4    | 6-7/8"       | 10GA     | 1000                  |
| OD0700S4    | 7"           | 10GA     | 1000                  |
| OD0712S4    | 7-1/8"       | 10GA     | 1000                  |
| OD0725S4    | 7-1/4"       | 10GA     | 1000                  |
| OD0737S4    | 7-3/8"       | 10GA     | 1000                  |
| OD0750S4    | 7-1/2"       | 10GA     | 1000                  |
| OD0762S4    | 7-5/8"       | 10GA     | 1000                  |
| OD0775S4    | 7-3/4"       | 10GA     | 1000                  |
| OD0787S4    | 7-7/8"       | 10GA     | 1000                  |
| OD0800S4    | 8"           | 10GA     | 1000                  |
| OD0812S4    | 8-1/8"       | 10GA     | 1000                  |
| OD0825S4    | 8-1/4"       | 10GA     | 1000                  |
| OD0837S4    | 8-3/8"       | 10GA     | 1000                  |
| OD0850S4    | 8-1/2"       | 10GA     | 1000                  |
| OD0862S4    | 8-5/8"       | 10GA     | 1000                  |



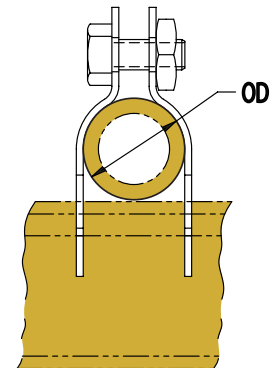
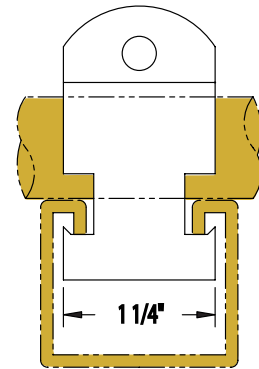
## STRUT PIPE CLAMPS RIGD

### 304 Stainless Steel Heavy Duty Strut Clamps

- Size Range: 3/8" thru 8"
- 1-piece break apart design (1/2" thru 4" pipe size) includes captive combo head machine screw and built in nut (thread impression)



| Part Number | Nominal Pipe Size | O.D.   | Screw GA | Max. Rec. Load (lbs.) |
|-------------|-------------------|--------|----------|-----------------------|
| RIGD0037S4  | 3/8"              | .675"  | 17 GA    | 400                   |
| RIGD0050S4  | 1/2"              | .840"  | 14 GA    | 400                   |
| RIGD0075S4  | 3/4"              | 1.050" | 14 GA    | 600                   |
| RIGD0100S4  | 1"                | 1.315" | 14 GA    | 600                   |
| RIGD0125S4  | 1-1/4"            | 1.660" | 14 GA    | 600                   |
| RIGD0150S4  | 1-1/2"            | 1.900" | 12 GA    | 800                   |
| RIGD0200S4  | 2"                | 2.375" | 12 GA    | 800                   |
| RIGD0250S4  | 2-1/2"            | 2.875" | 12 GA    | 800                   |
| RIGD0300S4  | 3"                | 3.500" | 12 GA    | 800                   |
| RIGD0350S4  | 3-1/2"            | 4.000" | 11 GA    | 1000                  |
| RIGD0400S4  | 4"                | 4.500" | 11 GA    | 1000                  |
| RIGD0500S4  | 5"                | 5.563" | 12 GA    | 1000                  |
| RIGD0600S4  | 6"                | 6.625" | 10 GA    | 1000                  |
| RIGD0800S4  | 8"                | 8.625" | 10 GA    | 1000                  |









Page 228



Page 229



Page 229



Page 230

**Hardware Anchors HMZ**

**345R**

**RAWL**

**26**



Page 230

**30**



Page 231

**31**



Page 231

**SWF**



Page 232

**35**



Page 232

**SWFF**



Page 233

**40**



Page 233

**SWM**



Page 234

**47**



Page 234

**SWMF**



Page 235

**HSCR**



Page 235

**85**



Page 236

**80**





Page 236

**15**



Page 237

**740**



Page 237

**4H**



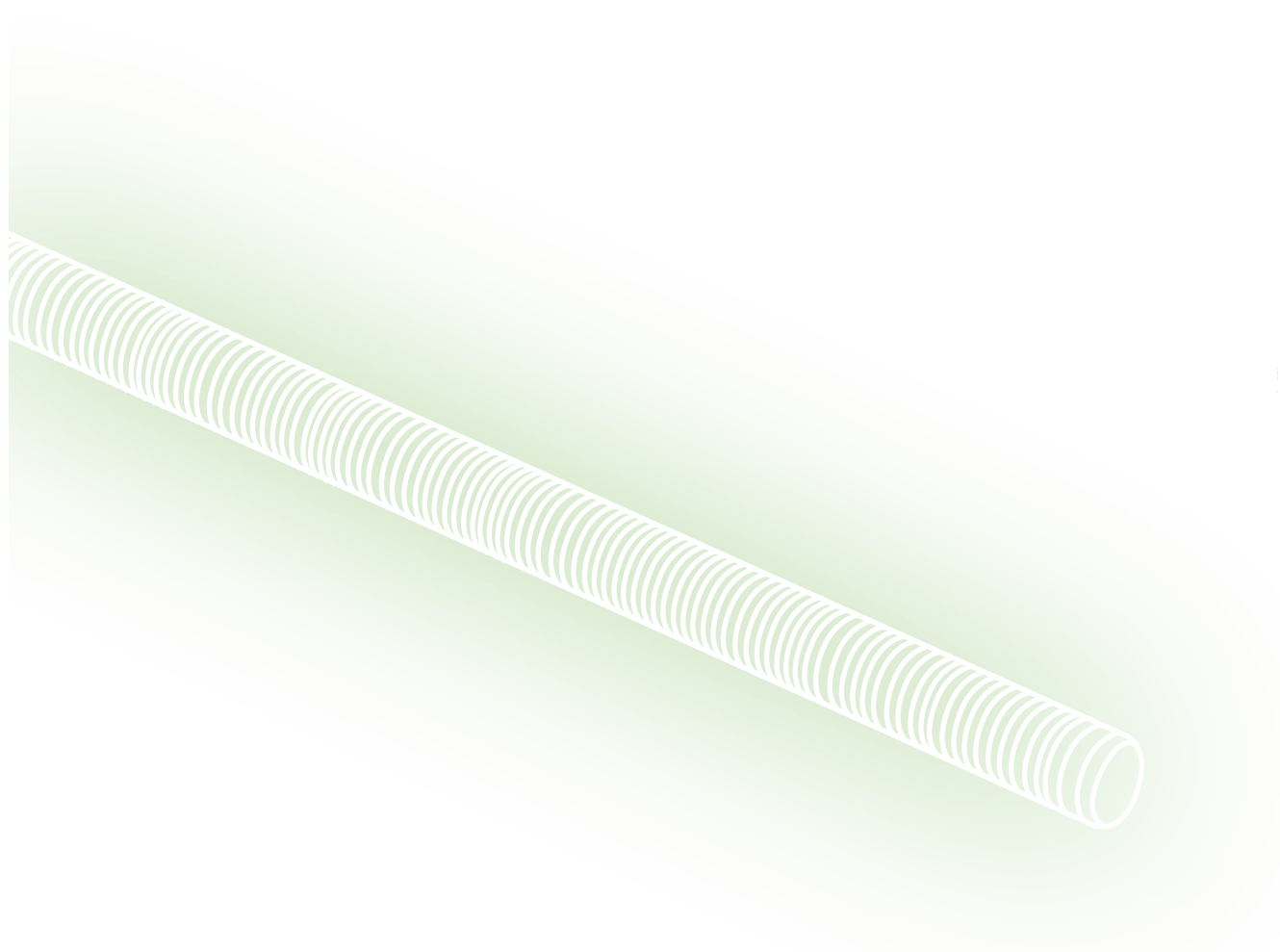
Page 238

**ESGP**



Page 238

**MSP**



## PROTECTION PLATE 304B2

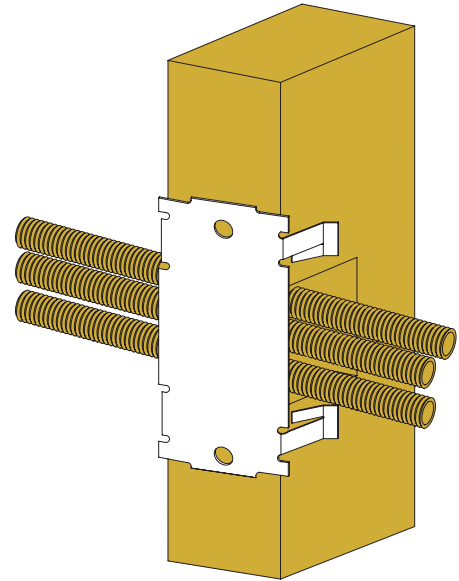
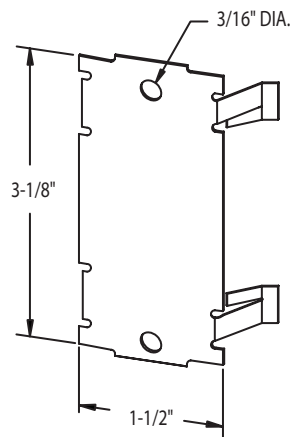
### Press-on Nail Plate for Wood or Metal Studs

- Size Range: 3-1/8" x 1-1/2"
- Surface Finish: Zinc phosphate
- For wood or metal studs
- Press-on installation; no tools required
- Protects plumbing and fire protection piping
- Breakable tabs permit multiple plates to be ganged together



**NOTE:** Holes on legs and surface of plate are provided to secure with nail or screw

| Part Number | Material       |
|-------------|----------------|
| 304B2       | 16 gauge steel |

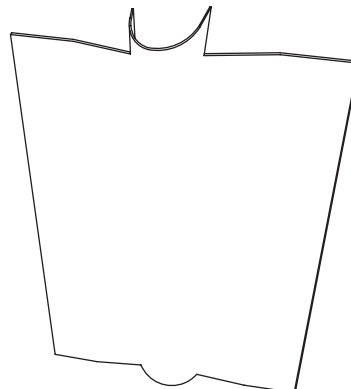
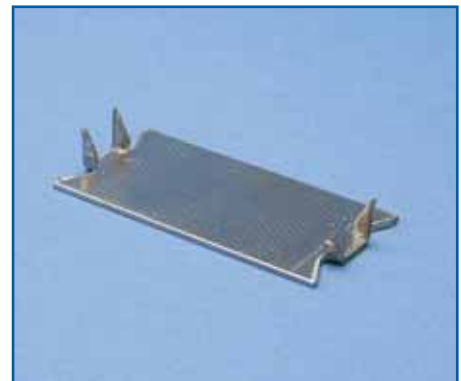


## PROTECTION PLATE 005

### Hammer-on Nail Plate for Wood Studs

- Surface Finish: Plain
- Protects plumbing and fire protection piping in wood studs

| Part Number | Size            | Material       |
|-------------|-----------------|----------------|
| 005275150PL | 2-3/4" x 1-1/2" | 16 gauge steel |
| 005325275PL | 3-1/4" x 2-3/4" | 16 gauge steel |
| 005550150PL | 5-1/2" x 1-1/2" | 16 gauge steel |



## HARDWARE NUT 10

### Steel Hex Nut

- Size Range: 1/4" thru 7/8"
- Surface Finish: Plain and Electro-zinc plated



| Part Number                | Size    |
|----------------------------|---------|
| Plain Finish               |         |
| 0100025PL                  | 1/4 UNC |
| 0100037PL                  | 3/8 UNC |
| 0100050PL                  | 1/2 UNC |
| 0100062PL                  | 5/8 UNC |
| 0100075PL                  | 3/4 UNC |
| 0100087PL                  | 7/8 UNC |
| Electro-zinc Plated Finish |         |
| 0100025EG                  | 1/4 UNC |
| 0100037EG                  | 3/8 UNC |
| 0100050EG                  | 1/2 UNC |
| 0100062EG                  | 5/8 UNC |
| 0100075EG                  | 3/4 UNC |
| 0100087EG                  | 7/8 UNC |

## HARDWARE NUT 10H

### Heavy Duty Steel Hex Nut

- Size Range: 1/4" thru 7/8"
- Surface Finish: Plain and Electro-zinc plated



| Part Number                | Size    |
|----------------------------|---------|
| Plain Finish               |         |
| 010H0025PL                 | 1/4 UNC |
| 010H0037PL                 | 3/8 UNC |
| 010H0050PL                 | 1/2 UNC |
| 010H0062PL                 | 5/8 UNC |
| 010H0075PL                 | 3/4 UNC |
| 010H0087PL                 | 7/8 UNC |
| Electro-zinc Plated Finish |         |
| 010H0025EG                 | 1/4 UNC |
| 010H0037EG                 | 3/8 UNC |
| 010H0050EG                 | 1/2 UNC |
| 010H0062EG                 | 5/8 UNC |
| 010H0075EG                 | 3/4 UNC |
| 010H0087EG                 | 7/8 UNC |

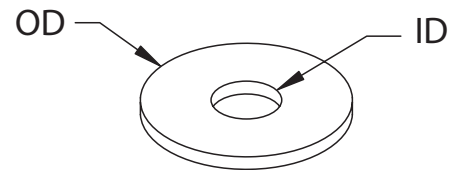


## HARDWARE WASHER 11

### Round Steel Flat Washer

- Size Range: 1/4" thru 7/8"
- Surface Finish: Plain and Electro-zinc plated

| Part Number                | Size | ID     | OD     |
|----------------------------|------|--------|--------|
| Plain Finish               |      |        |        |
| 0110025PL                  | 1/4" | 5/16"  | 3/4"   |
| 0110037PL                  | 3/8" | 7/16"  | 1"     |
| 0110050PL                  | 1/2" | 9/16"  | 1-3/8" |
| 0110062PL                  | 5/8" | 11/16" | 1-3/4" |
| 0110075PL                  | 3/4" | 13/16" | 2"     |
| 0110087PL                  | 7/8" | 15/16" | 2-1/4" |
| Electro-zinc Plated Finish |      |        |        |
| 0110025EG                  | 1/4" | 5/16"  | 3/4"   |
| 0110037EG                  | 3/8" | 7/16"  | 1"     |
| 0110050EG                  | 1/2" | 9/16"  | 1-3/8" |
| 0110062EG                  | 5/8" | 11/16" | 1-3/4" |
| 0110075EG                  | 3/4" | 13/16" | 2"     |
| 0110087EG                  | 7/8" | 15/16" | 2-1/4" |

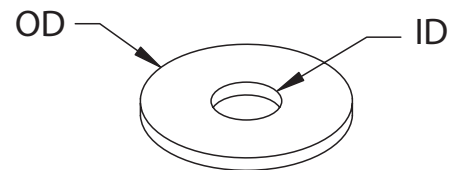


## HARDWARE WASHER 12

### Steel Fender Washer

- Size Range: 1/4", 3/8" and 1/2"
- Surface Finish: Electro-zinc Plated

| Part Number | Size | ID    | OD      |
|-------------|------|-------|---------|
| 0120025EG   | 1/4" | 5/16" | 1-1/16" |
| 0120037EG   | 3/8" | 7/16" | 1-1/2"  |
| 0120050EG   | 1/2" | 9/16" | 2"      |



## HARDWARE THREADED ROD 50

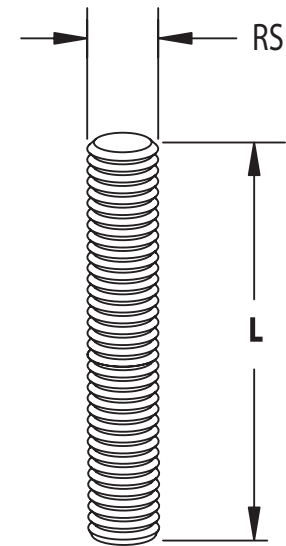
### All Thread Rod

- Size Range: 1/4" thru 7/8"
- Surface Finish: Plain and Electro-zinc Plated
- Attaches hangers to structural attachments without threading the rod, UNC Thread Form

**NOTE:** Low carbon: tensile: 58,000 psi; yield: 36,000 psi, available in Stainless Steel for 3/8" and 1/2" rod size



| Part Number                       | RS   | L   | Max. Rec. Load (lbs)* |
|-----------------------------------|------|-----|-----------------------|
| <b>Plain Finish</b>               |      |     |                       |
| 0502506PL                         | 1/4" | 6'  | 240                   |
| 0502510PL                         | 1/4" | 10' | 240                   |
| 0502512PL                         | 1/4" | 12' | 240                   |
| 0503706PL                         | 3/8" | 6'  | 610                   |
| 0503710PL                         | 3/8" | 10' | 610                   |
| 0503712PL                         | 3/8" | 12' | 610                   |
| 0505006PL                         | 1/2" | 6'  | 1130                  |
| 0505010PL                         | 1/2" | 10' | 1130                  |
| 0505012PL                         | 1/2" | 12' | 1130                  |
| 0506206PL                         | 5/8" | 6'  | 1810                  |
| 0506210PL                         | 5/8" | 10' | 1810                  |
| 0506212PL                         | 5/8" | 12' | 1810                  |
| 0507506PL                         | 3/4" | 6'  | 2710                  |
| 0507510PL                         | 3/4" | 10' | 2710                  |
| 0507512PL                         | 3/4" | 12' | 2710                  |
| 0508706PL                         | 7/8" | 6'  | 3770                  |
| 0508710PL                         | 7/8" | 10' | 3770                  |
| 0508712PL                         | 7/8" | 12' | 3770                  |
| <b>Electro-zinc Plated Finish</b> |      |     |                       |
| 0502506EG                         | 1/4" | 6'  | 240                   |
| 0502510EG                         | 1/4" | 10' | 240                   |
| 0502512EG                         | 1/4" | 12' | 240                   |
| 0503706EG                         | 3/8" | 6'  | 610                   |
| 0503710EG                         | 3/8" | 10' | 610                   |
| 0503712EG                         | 3/8" | 12' | 610                   |
| 0505006EG                         | 1/2" | 6'  | 1130                  |
| 0505010EG                         | 1/2" | 10' | 1130                  |
| 0505012EG                         | 1/2" | 12' | 1130                  |
| 0506206EG                         | 5/8" | 6'  | 1810                  |
| 0506210EG                         | 5/8" | 10' | 1810                  |
| 0506212EG                         | 5/8" | 12' | 1810                  |
| 0507506EG                         | 3/4" | 6'  | 2710                  |
| 0507510EG                         | 3/4" | 10' | 2710                  |
| 0507512EG                         | 3/4" | 12' | 2710                  |
| 0508706EG                         | 7/8" | 6'  | 3770                  |
| 0508710EG                         | 7/8" | 10' | 3770                  |
| 0508712EG                         | 7/8" | 12' | 3770                  |



\*Load based on Max. 650° F

## HARDWARE THREADED STUD 51

### Threaded Studs

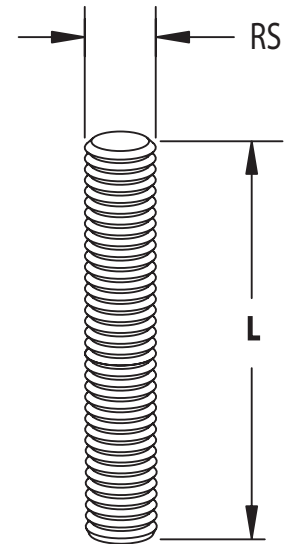
- Size Range: 3/8" and 1/2" rod sizes
- Surface Finish: Plain
- Attaches hangers to structural attachments without threading or cutting the rod, UNC Thread Form

**NOTE:** Low carbon: tensile: 58,000 psi; yield: 36,000 psi



| Part Number | RS   | L   | Max. Rec. Load (lbs)* |
|-------------|------|-----|-----------------------|
| 0513702PL   | 3/8" | 2"  | 610                   |
| 0513703PL   | 3/8" | 3"  | 610                   |
| 0513704PL   | 3/8" | 4"  | 610                   |
| 0513705PL   | 3/8" | 5"  | 610                   |
| 0513706PL   | 3/8" | 6"  | 610                   |
| 0515004PL   | 1/2" | 4"  | 1130                  |
| 0515005PL   | 1/2" | 5"  | 1130                  |
| 0515006PL   | 1/2" | 6"  | 1130                  |
| 0515010PL   | 1/2" | 10" | 1130                  |
| 0515012PL   | 1/2" | 12" | 1130                  |

\*Load based on Max. 650° F



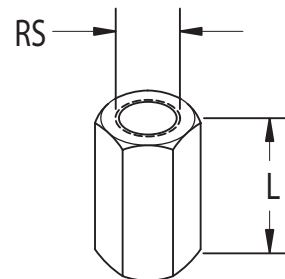
## HARDWARE ROD COUPLING 25

### Steel Rod Coupling

- Size Range: 1/4" thru 7/8" rod sizes
- Surface Finish: Electro-zinc Plated
- Intermediate accessory designed to join two lengths of similar UNC threaded rod



| Part Number | RS   | L      | Max. Rec. Load (lbs) |
|-------------|------|--------|----------------------|
| 0250025EG   | 1/4" | 7/8"   | 240                  |
| 0250037EG   | 3/8" | 1-3/4" | 610                  |
| 0250050EG   | 1/2" | 1-3/4" | 1130                 |
| 0250062EG   | 5/8" | 2-1/8" | 1810                 |
| 0250075EG   | 3/4" | 2-1/4" | 2710                 |
| 0250087EG   | 7/8" | 2-1/2" | 3770                 |



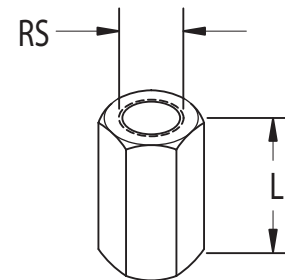
## HARDWARE ROD COUPLING 25S

### Short Steel Rod Coupling

- Size Range: 3/8" and 1/2" rod sizes
- Surface Finish: Electro-zinc Plated
- Intermediate accessory designed to join two lengths of similar UNC threaded rod



| Part Number | RS   | L      | Max. Rec. Load (lbs) |
|-------------|------|--------|----------------------|
| 025S0037EG  | 3/8" | 1-1/8" | N/A                  |
| 025S0050EG  | 1/2" | 1-1/4" | N/A                  |



## HARDWARE ROD COUPLING 25R

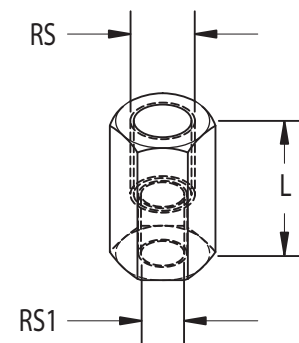
### Reducing Steel Rod Coupling

- Size Range: 3/8", 1/2" and 5/8" rod sizes
- Surface Finish: Electro-zinc plated
- Intermediate accessory designed to join dissimilar sizes of UNC rod



**NOTE:** Never use smaller rod sizes than the minimum rod sizes noted in MSS-SP-69

| Part Number | RS   | RS1  | L      | Max. Pipe Size | Max. Rec. Load (lbs) |
|-------------|------|------|--------|----------------|----------------------|
| 025R3725EG  | 3/8" | 1/4" | 1"     | 3/8"           | 240                  |
| 025R5037EG  | 1/2" | 3/8" | 1-1/4" | 2"             | 610                  |
| 025R6250EG  | 5/8" | 1/2" | 1-1/4" | 3-1/2"         | 1130                 |



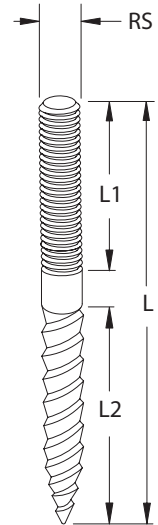
## HARDWARE COACH SCREW 41

### Coach Screw Rod

- Size Range: 3/8" and 1/2" rod sizes
- Surface Finish: Plain
- Light duty hanger rod for wood structures



| Part Number | RS   | L   | L1     | L2     | Max. Pipe Size | Max. Rec. Load (lbs) |
|-------------|------|-----|--------|--------|----------------|----------------------|
| 0413704PL   | 3/8" | 4"  | 1-1/8" | 2"     | 2"             | 390                  |
| 0413706PL   | 3/8" | 6"  | 1-1/2" | 2-3/4" | 2"             | 390                  |
| 0413708PL   | 3/8" | 8"  | 1-1/2" | 2-1/2" | 2"             | 390                  |
| 0413710PL   | 3/8" | 10" | 2"     | 2-1/2" | 2"             | 390                  |
| 0413712PL   | 3/8" | 12" | 1-5/8" | 2-1/2" | 2"             | 390                  |
| 0415004PL   | 1/2" | 4"  | 2"     | 2"     | 3"             | 640                  |
| 0415006PL   | 1/2" | 6"  | 2"     | 2"     | 3"             | 640                  |
| 0415008PL   | 1/2" | 8"  | 2-1/4" | 2-1/2" | 3"             | 640                  |
| 0415010PL   | 1/2" | 10" | 2-3/8" | 2-1/4" | 3"             | 640                  |
| 0415012PL   | 1/2" | 12" | 2-3/8" | 2-1/4" | 3"             | 640                  |



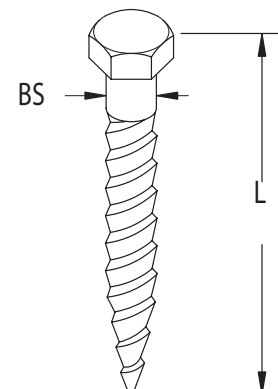
## HARDWARE LAG SCREW 42

### Lag Screw

- Size Range: 1/4", 3/8" and 1/2"
- Surface Finish: Electro-zinc Plated
- Fastener for mounting various structural attachments onto wood



| Part Number | BS   | L      |
|-------------|------|--------|
| 0422515EG   | 1/4" | 1-1/2" |
| 0422520EG   | 1/4" | 2"     |
| 0423710EG   | 3/8" | 1"     |
| 0423715EG   | 3/8" | 1-1/2" |
| 0423720EG   | 3/8" | 2"     |
| 0423725EG   | 3/8" | 2-1/2" |
| 0423730EG   | 3/8" | 3"     |
| 0423740EG   | 3/8" | 4"     |
| 0425015EG   | 1/2" | 1-1/2" |
| 0425020EG   | 1/2" | 2"     |
| 0425025EG   | 1/2" | 2-1/2" |
| 0425030EG   | 1/2" | 3"     |
| 0425040EG   | 1/2" | 4"     |



## HARDWARE DRIVE SCREW 43

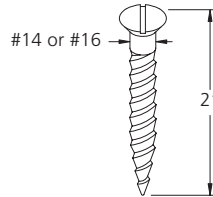
### Wood Drive Screw

- Size Range: #14 and #16
- Surface Finish: Electro-zinc Plated
- Light duty fastener for mounting various structural attachments onto wood

**NOTE:** Install only in shear, never use under pull-out configuration



| Part Number | Size |
|-------------|------|
| 0431402EG   | #14  |
| 0431602EG   | #16  |



## HARDWARE NUT 100A

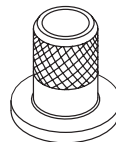
### Swivel Loop Insert Nut

- Size Range: 3/8" and 1/2" rod sizes
- Surface Finish: Electro-zinc Plated
- Insert nut used to attach loop hanger to threaded rod

**NOTE:** Used with Model numbers 100, 101, 102 and 102A loop hangers



| Part Number    | Size |
|----------------|------|
| 100A0037EGP100 | 3/8" |
| 100A0050EGP100 | 1/2" |



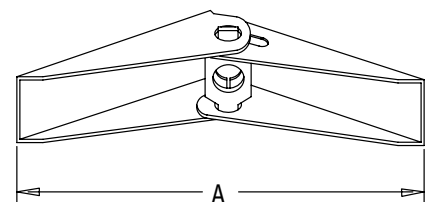
## HARDWARE TOGGLE NUT 145

### Spring Toggle Wing Nut

- Size Range: 3/8" and 1/2" rod sizes
- Surface Finish: Electro-zinc Plated
- Used with threaded rod in hollow wall applications



| Part Number | Rod Size | Drill Hole Size | A       |
|-------------|----------|-----------------|---------|
| 1450037EG   | 3/8"     | 1"              | 3"      |
| 1450050EG   | 1/2"     | 1-1/4"          | 4-7/16" |



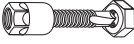
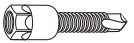
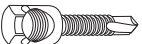
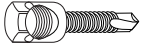
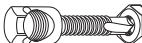
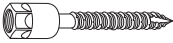
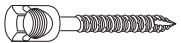
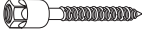
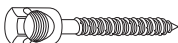
## HARDWARE ANCHORS HMZ


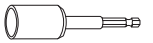

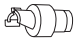

### HangerMate® Anchors

- Used for supporting/anchoring threaded rod in wood, steel or concrete structural members

**NOTE:** For use on horizontal and vertical surfaces



|   | Part Number | RS     | Description                                  |
|---|-------------|--------|--|
| Steel Applications – Vertical Mount (End-drilled Head)                              |             |        |  |
|    | HMZG471     | 3/8-16 | 3/8" rod anchor for steel and purlin         |
|    | HMZG550     | 3/8-16 | Self drilling anchor for steel 16 ga. - 1/4" |
| Steel Applications – Horizontal Mount (Cross-drilled Head)                          |             |        |  |
|    | HMZH455     | 3/8-16 | 3/8" rod anchor for sidewall (.125" max)     |
|    | HMZH475     | 3/8-16 | 3/8" rod anchor for steel (.25" max)         |
|    | HMZH476     | 3/8-16 | 3/8" rod anchor sidewall, steel and purlin   |
| Wood Applications – Vertical Mount (End-drilled Head)                               |             |        |  |
|  | HMZG660     | 3/8-16 | Self drilling 3/8" rod anchor for wood       |
| Wood Applications – Horizontal Mount (Cross-drilled Head)                           |             |        |  |
|  | HMZH665     | 3/8-16 | 3/8" rod anchor for sidewall/wood            |
| Concrete Applications – Vertical Mount (End-drilled Head)                           |             |        |  |
|  | HMZG730     | 3/8-16 | 3/8" rod anchor for concrete                 |
| Concrete Applications – Horizontal Mount (Cross-drilled Head)                       |             |        |  |
|  | HMZG735     | 3/8-16 | 5/16" x 2-1/4" HangerMate Anchor             |

|   | Part Number | Description   |
|---|-------------|---|
| Installation Tools  |             |   |
|  | HMZE200     | Recessed drive socket for metal and wood side-mount applications              |
|  | HMZE215     | Vertical recessed drive socket for metal and wood vertical-mount applications |
|  | HMZE220     | Concrete recessed drive socket sleeve   |
|  | HMZE230     | Carbide countersink tool – use with HMZG730 for concrete/masonry applications |
|  | HMZE380     | SDS Hex Shank Drill Bit   |



## HARDWARE ANCHORS 345R

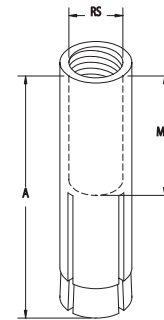
### Concrete Drop-in Anchor

- Size Range: 3/8", 1/2" and 5/8" rod sizes
- Surface Finish: Electro-zinc Plated
- Special anchor design offers fast and easy installation and provides maximum holding power
- May be installed flush with masonry surface



**NOTE:** Furnished with a pre-assembled internal expander plug.

| Part Number | RS   | A       | MRI     | Concrete Drill Size | Tension Load (lbs) | Shear Load (lbs) | Material |
|-------------|------|---------|---------|---------------------|--------------------|------------------|----------|
| 345R0037EG  | 3/8" | 1-9/16" | 5/8"    | 1/2"                | 6400               | 4220             | Steel    |
| 345R0050EG  | 1/2" | 2"      | 13/16"  | 5/8"                | 9000               | 6640             | Steel    |
| 345R0062EG  | 5/8" | 2-1/2"  | 1-3/16" | 7/8"                | 15218              | 10380            | Steel    |



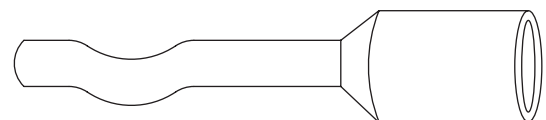
## HARDWARE ANCHOR RAWL

### RAWL Concrete Pipe Spike

- Size Range: 3/8" rod size
- Use in concrete with threaded rod
- Vibration-resistant



| Part Number | Size | Drill Diameter | Min. Depth |
|-------------|------|----------------|------------|
| RAWL3758    | 3/8" | 1/4"           | 1-1/4"     |



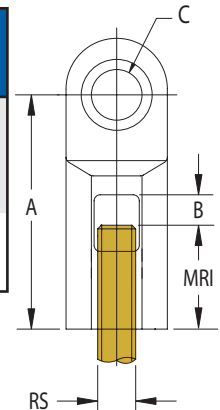
## HARDWARE EXTENSION 26

### Malleable Iron Extension Piece

- Size Range: 3/8" thru 7/8" rod sizes
- Surface Finish: Black
- Intermediate accessory that may attach to the side of a structural member or to a beam clamp
- Extension may be used in conjunction with Model #360



| Part Number | RS   | MRI     | A       | B      | C     | Max. Rec. Load (lbs) |
|-------------|------|---------|---------|--------|-------|----------------------|
| 0260037PL   | 3/8" | 5/8"    | 2-1/16" | 5/8"   | 1/2"  | 610                  |
| 0260050PL   | 1/2" | 11/16"  | 2-5/16" | 11/16" | 1/2"  | 1130                 |
| 0260062PL   | 5/8" | 7/8"    | 2-7/16" | 5/8"   | 1/2"  | 1550                 |
| 0260075PL   | 3/4" | 1"      | 2-7/8"  | 3/4"   | 1/2"  | 2100                 |
| 0260087PL   | 7/8" | 1-1/16" | 3"      | 13/16" | 9/16" | 2350                 |



## HARDWARE TURNBUCKLE 30

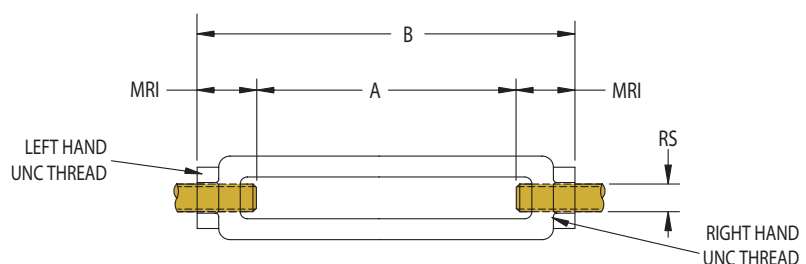
### Forged Steel Turnbuckle

- Size Range: 3/8" thru 7/8" rod sizes
- Surface Finish: Plain
- Intermediate accessory that provides up to 5-1/2" of vertical adjustment for heavy loads
- Conforms with Federal Specification WW-H-171 (Type 13), Manufacturers Standardization Society MSS-SP-58 (Type 13); install in accordance with ANSI/MSS-SP-69



**NOTE:** Ends are threaded in opposite directions

| Part Number | RS   | MRI     | A      | B      | Max. Rec. Load (lbs) |
|-------------|------|---------|--------|--------|----------------------|
| 0300037PL   | 3/8" | 11/16"  | 5-3/4" | 7-1/8" | 1200                 |
| 0300050PL   | 1/2" | 7/8"    | 5-3/4" | 7-1/2" | 2200                 |
| 0300062PL   | 5/8" | 1-1/8"  | 5-5/8" | 7-7/8" | 3500                 |
| 0300075PL   | 3/4" | 1-7/16" | 5-3/8" | 8-1/4" | 5200                 |
| 0300087PL   | 7/8" | 1-9/16" | 5-1/2" | 8-5/8" | 7200                 |



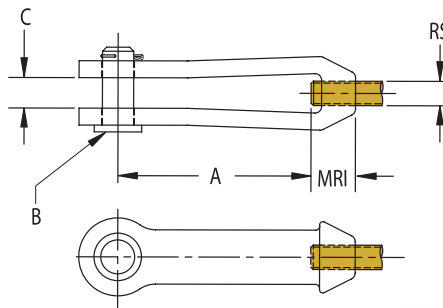
## HARDWARE CLEVIS 31

### Forged Steel Rod Clevis

- Size Range: 3/8" thru 2" rod sizes
- Surface Finish: Plain
- Intermediate accessory designed to attach to vertical plates that have been welded to structure or pipe
- Conforms with Federal Specification WW-H-171 (Type 14), Manufacturers Standardization Society MSS-SP-58 (Type 14); install in accordance with ANSI/MSS-SP-69



| Part Number | RS     | Body No. | MRI      | A        | B      | C      | Max. Rec. Load (lbs) |
|-------------|--------|----------|----------|----------|--------|--------|----------------------|
| 0310037PL   | 3/8"   | 2        | 15/16"   | 3-5/8"   | 1/2"   | 3/8"   | 610                  |
| 0310050PL   | 1/2"   | 2        | 15/16"   | 3-5/8"   | 5/8"   | 1/2"   | 1130                 |
| 0310062PL   | 5/8"   | 2        | 1-1/16"  | 3-5/8"   | 3/4"   | 5/8"   | 1810                 |
| 0310075PL   | 3/4"   | 2-1/2    | 1-3/16"  | 4"       | 7/8"   | 3/4"   | 2710                 |
| 0310087PL   | 7/8"   | 2-1/2    | 1-3/16"  | 4"       | 1"     | 7/8"   | 3770                 |
| 0310100PL   | 1"     | 3        | 1-7/16"  | 4-15/16" | 1-1/8" | 1"     | 4960                 |
| 0310125PL   | 1-1/4" | 3        | 1-1/2"   | 4-15/16" | 1-1/2" | 1-1/4" | 8000                 |
| 0310150PL   | 1-1/2" | 3-1/2    | 2-1/16"  | 6"       | 1-3/4" | 1-1/2" | 11630                |
| 0310175PL   | 1-3/4" | 4        | 2-9/16"  | 6"       | 2"     | 1-3/4" | 15700                |
| 0310200PL   | 2"     | 5        | 2-11/16" | 7"       | 2-1/4" | 2"     | 20700                |



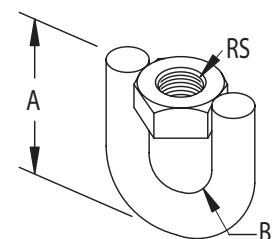
## HARDWARE SWIVEL SWF

### Swivel Female

- Size Range: 3/8" and 1/2" rod sizes
- Surface Finish: Electro-zinc plated
- Threaded rod attachment with the capability to swivel



| Part Number | RS   | A      | B    | Max. Rec. Load (lbs) |
|-------------|------|--------|------|----------------------|
| SWF0037EG   | 3/8" | 1-3/4" | 1/2" | 1000                 |
| SWF0050EG   | 1/2" | 2"     | 3/4" | 1800                 |



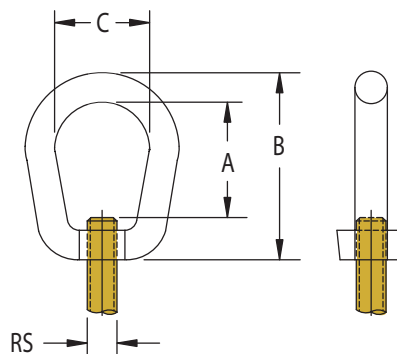
## HARDWARE EYE NUT 35

### Forged Steel Eye Nut

- Size Range: 3/8" thru 7/8" rod sizes
- Surface Finish: Plain
- Intermediate accessory for high temperature piping used in conjunction with Models: #320, #360, #361, #450, #451, #452 and #453
- Conforms with Federal Specification WW-H-171 (Type 17), Manufacturers Standardization Society MSS-SP-58 (Type 17); install in accordance with ANSI/MSS-SP-69



| Part Number | RS   | A        | B      | C      | MRI    | Max. Rec. Load (lbs) |
|-------------|------|----------|--------|--------|--------|----------------------|
| 0350037PL   | 3/8" | 1-3/4"   | 3-1/8" | 1"     | 5/8"   | 1250                 |
| 0350050PL   | 1/2" | 1-11/16" | 3-1/8" | 1-1/2" | 3/4"   | 2250                 |
| 0350062PL   | 5/8" | 1-11/16" | 3-1/8" | 1-1/2" | 3/4"   | 3600                 |
| 0350075PL   | 3/4" | 1-11/16" | 3-1/8" | 1-1/2" | 3/4"   | 5200                 |
| 0350087PL   | 7/8" | 2-1/4"   | 4-3/8" | 2"     | 1-1/8" | 7200                 |



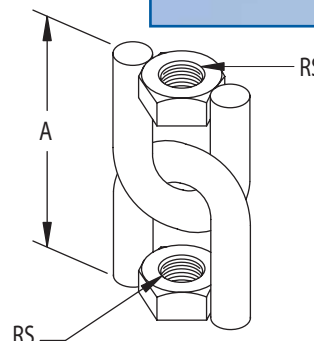
## HARDWARE SWIVEL SWFF

### Swivel Female-Female

- Size Range: 3/8" and 1/2" rod sizes
- Surface Finish: Electro-zinc Plated
- Threaded rod attachment with the capability to swivel



| Part Number | RS   | A      | Max. Rec. Load (lbs) |
|-------------|------|--------|----------------------|
| SWFF0037EG  | 3/8" | 2-3/4" | 1000                 |
| SWFF0050EG  | 1/2" | 3"     | 1800                 |



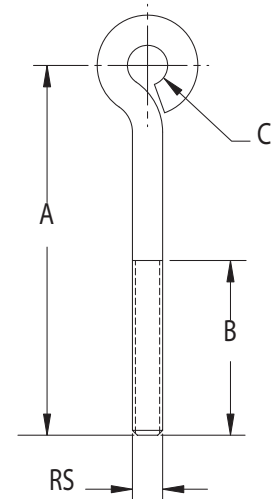
## HARDWARE EYE ROD 40

### Steel Eye Rod

- Size Range: 3/8" rod size
- Surface Finish: Plain
- Structural attachment with Model #42 lag screw or as a hanger rod from other structural attachments
- Capable of being used in connection with Models: #360, #361, etc.



| Part Number | RS   | A  | B      | C    | Max. Rec. Load (lbs) |
|-------------|------|----|--------|------|----------------------|
| 0403704PL   | 3/8" | 4" | 2-1/2" | 1/2" | 240                  |
| 0403706PL   | 3/8" | 6" | 2-1/2" | 1/2" | 240                  |
| 0403708PL   | 3/8" | 8" | 2-1/2" | 1/2" | 240                  |



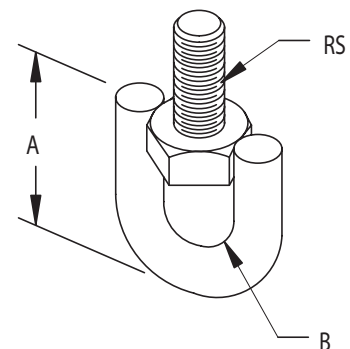
## HARDWARE SWIVEL SWM

### Swivel Male

- Size Range: 3/8" and 1/2" rod sizes
- Surface Finish: Electro-zinc plated
- Threaded rod attachment with the capability to swivel



| Part Number | RS   | A      | B    | Max. Rec. Load (lbs) |
|-------------|------|--------|------|----------------------|
| SWM0037EG   | 3/8" | 1-3/4" | 1/2" | 1000                 |
| SWM0050EG   | 1/2" | 2"     | 3/4" | 1800                 |



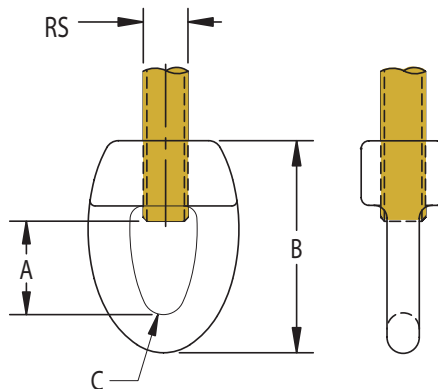
## HARDWARE EYE NUT 47

### Malleable Iron Eye Nut

- Size Range: 1/4" thru 7/8" rod sizes
- Surface Finish: Black
- Intermediate attachment for various types of pipe supports and structural attachments
- Conforms with Federal Specification WW-H-171 (Type 16), Manufacturers Standardization Society MSS-SP-58 (Type 16); install in accordance with ANSI/MSS-SP-69



| Part Number | RS   | A       | B      | C     | MRI     | Max. Rec. Load (lbs) |
|-------------|------|---------|--------|-------|---------|----------------------|
| 0470025PL   | 1/4" | 5/8"    | 1-3/4" | 5/16" | 1/2"    | 230                  |
| 0470037PL   | 3/8" | 3/4"    | 1-5/8" | 3/8"  | 5/8"    | 610                  |
| 0470050PL   | 1/2" | 3/4"    | 1-7/8" | 3/8"  | 3/4"    | 1130                 |
| 0470062PL   | 5/8" | 15/16"  | 2-1/8" | 5/8"  | 3/4"    | 1400                 |
| 0470075PL   | 3/4" | 1-3/16" | 2-1/2" | 5/8"  | 7/8"    | 1900                 |
| 0470087PL   | 7/8" | 1-1/4"  | 2-7/8" | 5/8"  | 1-1/16" | 2200                 |



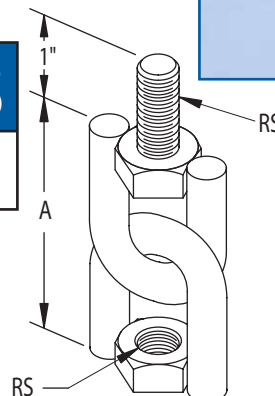
## HARDWARE SWIVEL SWMF

### Swivel Male-Female

- Size Range: 3/8" and 1/2" rod sizes
- Surface Finish: Electro-zinc Plated
- Threaded rod attachment with the capability to swivel



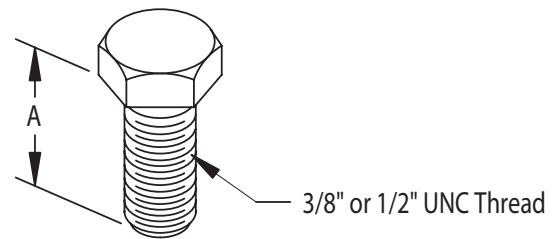
| Part Number | RS   | A      | Max. Rec. Load (lbs) |
|-------------|------|--------|----------------------|
| SWMF0037EG  | 3/8" | 2-3/4" | 1000                 |
| SWMF0050EG  | 1/2" | 3"     | 1800                 |



## HARDWARE HEX BOLT HSCR

### Steel Hex Cap Bolts

- Size Range: 3/8" and 1/2" sizes
- Surface Finish: Plain and Electro-zinc Plated

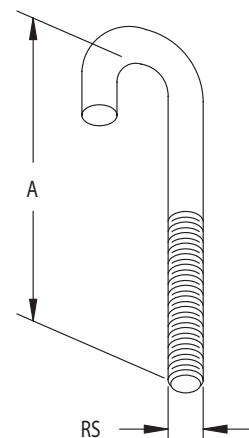


| Part Number                | Thread Size | A      |
|----------------------------|-------------|--------|
| Plain Finish               |             |        |
| HSCR3710PL                 | 3/8" - 16   | 1"     |
| HSCR3712PL                 | 3/8" - 16   | 1-1/4" |
| HSCR3715PL                 | 3/8" - 16   | 1-1/2" |
| HSCR3720PL                 | 3/8" - 16   | 2"     |
| Electro-zinc Plated Finish |             |        |
| HSCR3707EG                 | 3/8" - 16   | 3/4"   |
| HSCR3710EG                 | 3/8" - 16   | 1"     |
| HSCR3712EG                 | 3/8" - 16   | 1-1/4" |
| HSCR3715EG                 | 3/8" - 16   | 1-1/2" |
| HSCR3720EG                 | 3/8" - 16   | 2"     |
| HSCR5007EG                 | 1/2" - 13   | 3/4"   |
| HSCR5010EG                 | 1/2" - 13   | 1"     |
| HSCR5012EG                 | 1/2" - 13   | 1-1/4" |
| HSCR5015EG                 | 1/2" - 13   | 1-1/2" |
| HSCR5020EG                 | 1/2" - 13   | 2"     |

## HARDWARE J-BOLT 85

### Steel J-bolt

- Size Range: 3/8" and 1/2" rod sizes
- Surface Finish: Plain
- Allows bolt to be hooked or hung from beam flange or purlin



| Part Number | RS   | A   | Max. Rec. Load (lbs) |
|-------------|------|-----|----------------------|
| 085370400PL | 3/8" | 4"  | 240                  |
| 085370500PL | 3/8" | 5"  | 240                  |
| 085370600PL | 3/8" | 6"  | 240                  |
| 085370700PL | 3/8" | 7"  | 240                  |
| 085370800PL | 3/8" | 8"  | 240                  |
| 085370900PL | 3/8" | 9"  | 240                  |
| 085371000PL | 3/8" | 10" | 240                  |
| 085500600PL | 1/2" | 6"  | 440                  |
| 085500700PL | 1/2" | 7"  | 440                  |
| 085500800PL | 1/2" | 8"  | 440                  |
| 085500900PL | 1/2" | 9"  | 440                  |
| 085501000PL | 1/2" | 10" | 440                  |

## HARDWARE TIE BOLT 80

### Steel Tie Bolt

- Size Range: 3/4" x 4-1/2"
- Surface Finish: Black
- Used to secure connection of installation of private fire service mains

**NOTE:** Conforms to NFPA® pamphlet #2, 4" – 12" pipe size



| Part Number | Material      |
|-------------|---------------|
| 080750450L  | 3/4" x 4-1/2" |

## HARDWARE ROD BUTTON 15

### Threaded Rod Ceiling Buttons

- Size Range: 3/8" and 1/2" rod sizes
- Surface Finish: White or Chrome
- Recommended for giving a finished appearance where rod enters ceiling



| Part Number | Size | Material |
|-------------|------|----------|
| 0150037W    | 3/8" | White    |
| 0150037PC   | 3/8" | Chrome   |
| 0150050W    | 1/2" | White    |



## HARDWARE PIPE SLEEVE POSITIONER 740

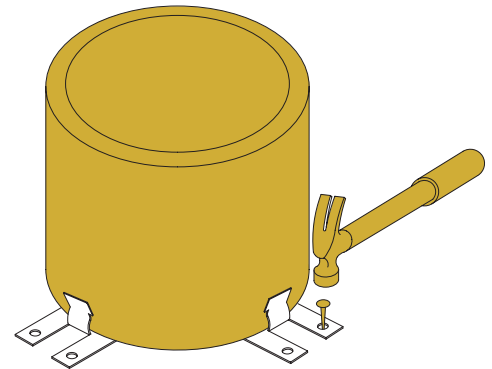
### Hammer-on Pipe Sleeve Positioner Clips

- Size Range: Less than 5/16" wall thickness
- Surface Finish: CADDY® COAT
- Used to position pipe sleeves and prevent movement during concrete pours

**NOTE:** No load rating, for positioning only



| Part Number | Sleeve Diameter | Wall Thickness  |
|-------------|-----------------|-----------------|
| 740         | All             | 5/16" and under |
| 740         | 2" – 6"         | Sch. 40 pipe    |



## HARDWARE SLEEVE POSITIONER 4H

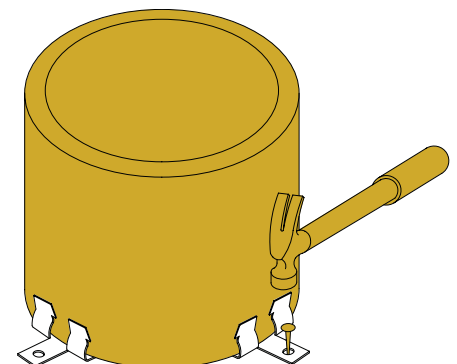
### Hammer-on Pipe Sleeve Positioner Clips

- Size Range: 6" thru 14" Schedule 80 pipe
- Surface Finish: CADDY® COAT
- Used to position pipe sleeves and prevent movement during concrete pours

**NOTE:** No load rating, for positioning only



| Part Number | Sleeve Diameter      | Wall Thickness             |
|-------------|----------------------|----------------------------|
| 4H24        | 1" – 4"<br>1/2" – 2" | Schedule 40<br>Schedule 80 |
| 4H58        | 5" – 6"<br>8" – 10"  | Schedule 80<br>Schedule 40 |
| 4H912       | 9" – 14"             | Schedule 80                |



## HARDWARE GROMMET ESGP

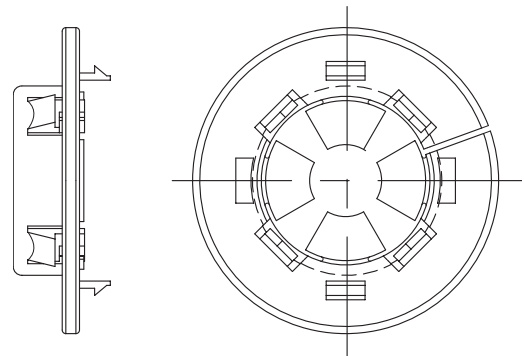
### Easy Snap/Anti Rattle Pipe Grommet

- Size Range: 1/2" thru 1" copper tubing
- Yellow plastic pipe grommet provides 360° protection of plumbing and fire sprinkler plumbing in metal studs

**NOTE:** Snap one grommet into standard 1-11/32" field punched hole, or snap two together into any shape factory punched hole; anti-rattle tabs in ESGP allow grommet to accommodate copper tubing from 1/2" to 1"



| Part Number | Size         |
|-------------|--------------|
| ESGP        | 1/2" – 1" CT |



## HARDWARE TOOLS MSP

### Metal Stud Punch

- Used in the field for punching standard sized 1-11/32" holes in metal studs
- Cushioned handles mean less operator fatigue and more comfortable handling
- Tool design with offset handles allows punch to work in confined locations and near perpendicular walls
- Lightweight punch makes accurate location of holes easier
- Hardened steel components keep tool sharp longer – less replacement
- Plastic grommets (ESGP) snap easily into 1-11/32" hole



| Part Number |
|-------------|
| MSP20       |





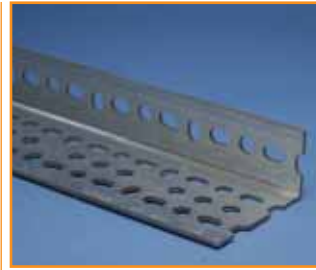
Page 240

**SAA**



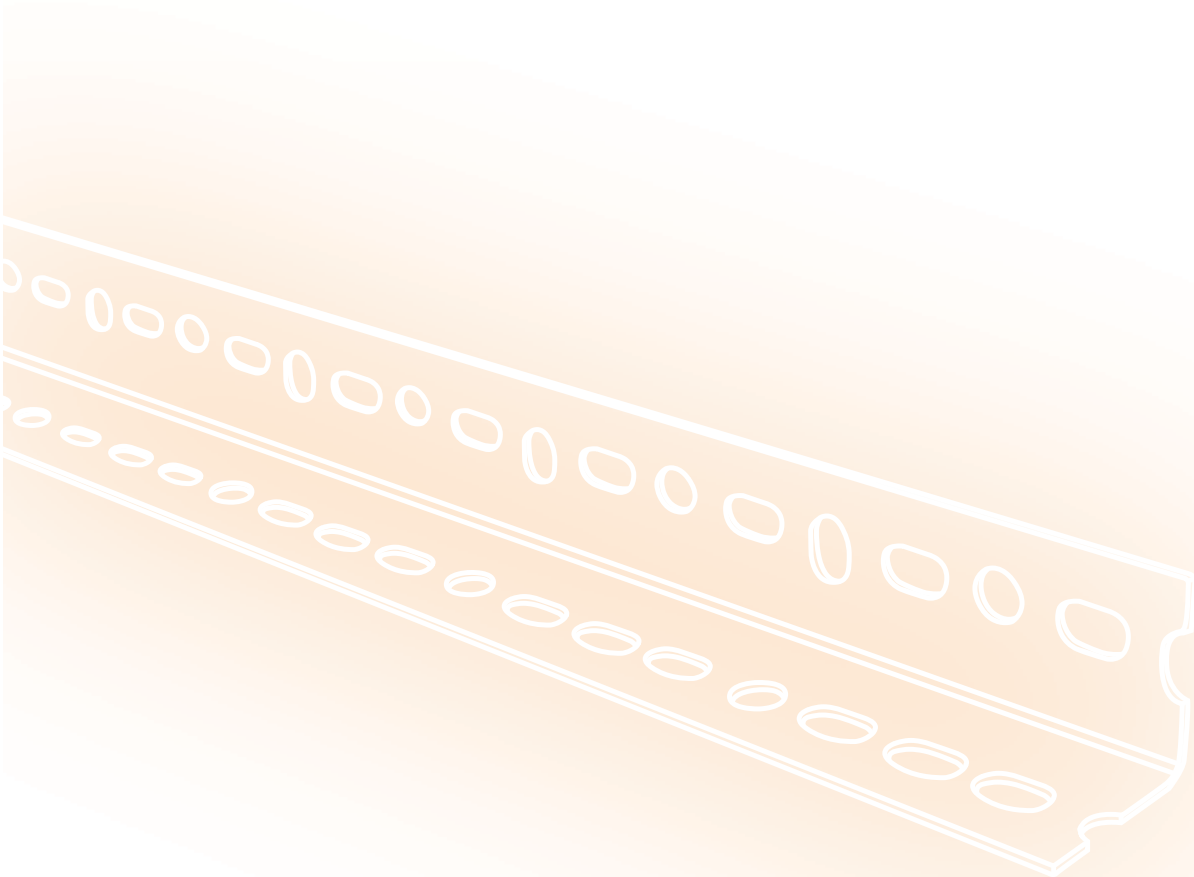
Page 240

**SAD**



Page 241

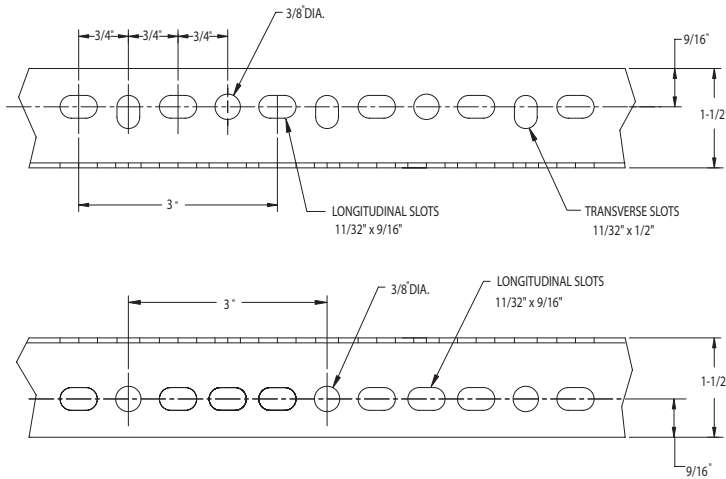
**SAE**



## SLOTTED ANGLE FRAMING SAA

- Size Range: 1-5/8" x 1-5/8", 14 gauge
- Surface Finish: Electro-zinc plated

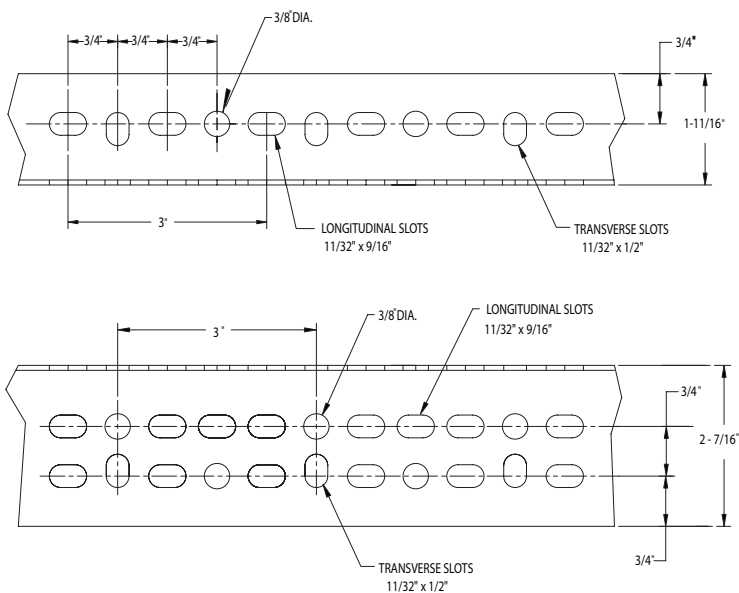
| Part Number | L   |
|-------------|-----|
| SAA1400EG   | 10' |



## FRAMING SAD

- Size Range: 1-5/8" x 2-7/16", 14 gauge
- Surface Finish: Electro-zinc plated

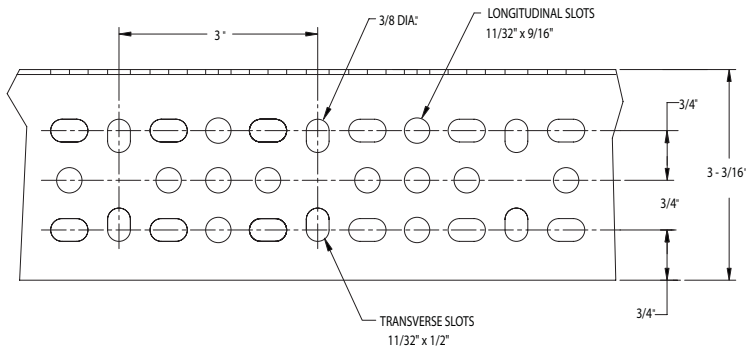
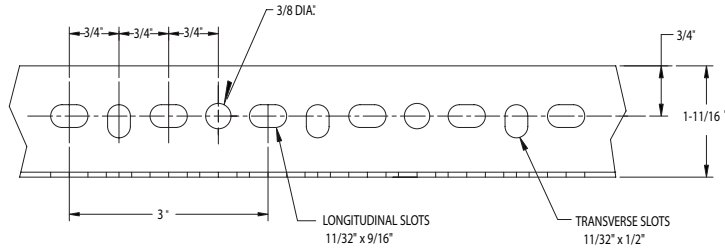
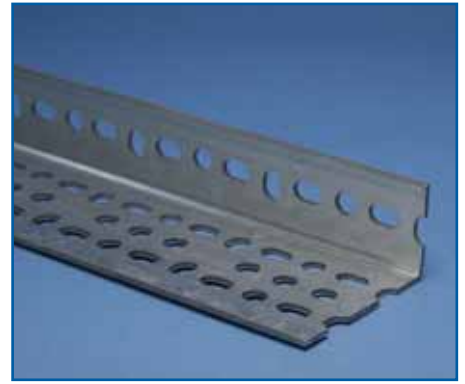
| Part Number | L   |
|-------------|-----|
| SAD1400EG   | 10' |



## SLOTTED ANGLE FRAMING SAE

- Size Range: 1-5/8" x 3-1/8", 12 gauge
- Surface Finish: Electro-zinc plated

| Part Number | L   |
|-------------|-----|
| SAE1200EG   | 10' |







Page 244

**TP220**



Page 245

**TP225**



Page 245

**TP225A**



Page 246

**TP230**



Page 247

**TP235**



Page 247

**TP240**



Page 248

**TP280**



## SWAY BRACING TP220

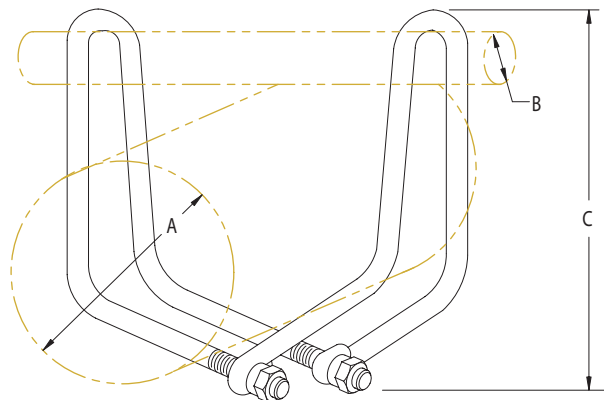
### Quick Clamp Sway Brace Pipe Attachment

- Size Range: 1-1/4" thru 8" braced pipe
- Surface Finish: Black
- Used for laterally bracing pipe against sway disturbances

**NOTE:** Also available in EG finish



| Part Number    | A (Braced Pipe Size) | B (Bracing Pipe Size) | C        |
|----------------|----------------------|-----------------------|----------|
| TP2201000125PL | 1-1/4"               | 1"                    | 4-13/16" |
| TP2201000150PL | 1-1/2"               | 1"                    | 5-1/8"   |
| TP2201000200PL | 2"                   | 1"                    | 5-5/16"  |
| TP2201000250PL | 2-1/2"               | 1"                    | 6-1/2"   |
| TP2201000300PL | 3"                   | 1"                    | 7-1/4"   |
| TP2201000400PL | 4"                   | 1"                    | 8-1/8"   |
| TP2201000500PL | 5"                   | 1"                    | 8-5/8"   |
| TP2201000600PL | 6"                   | 1"                    | 10"      |
| TP2201000800PL | 8"                   | 1"                    | 11-3/4"  |
| TP2201250125PL | 1-1/4"               | 1-1/4"                | 5-1/4"   |
| TP2201250150PL | 1-1/2"               | 1-1/4"                | 5-1/2"   |
| TP2201250200PL | 2"                   | 1-1/4"                | 6"       |
| TP2201250250PL | 2-1/2"               | 1-1/4"                | 6-1/2"   |
| TP2201250300PL | 3"                   | 1-1/4"                | 7-1/4"   |
| TP2201250400PL | 4"                   | 1-1/4"                | 8-5/16"  |
| TP2201250500PL | 5"                   | 1-1/4"                | 9-1/4"   |
| TP2201250600PL | 6"                   | 1-1/4"                | 10-1/2"  |
| TP2201250800PL | 8"                   | 1-1/4"                | 12"      |



## SWAY BRACING TP225

### Quick End Threadless Brace Fitting

- Size Range: 1" and 1-1/4" bracing pipe
- Surface Finish: Black
- Used to ease the installation of transverse and/or longitudinal sway bracing



**NOTE:** Also available in EG finish

| Part Number  | Fig. No. | A (Bracing Pipe Size) | B      | C      | D      |
|--------------|----------|-----------------------|--------|--------|--------|
| TP225G100PL* | 1        | 1"                    | 1-3/8" | 1-1/4" | 1-1/4" |
| TP225G125PL* | 1        | 1-1/4"                | 1-5/8" | 1-1/4" | 1-1/4" |
| TP225100PL   | 2        | 1"                    | 1-3/8" | 1-3/8" | 1-1/8" |
| TP225125PL   | 2        | 1-1/4"                | 1-5/8" | 1-3/8" | 1-1/8" |

\*Heavy Duty Assembly

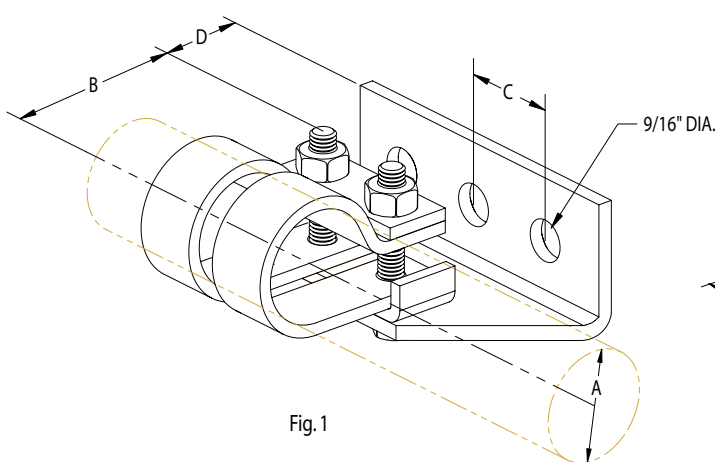


Fig. 1

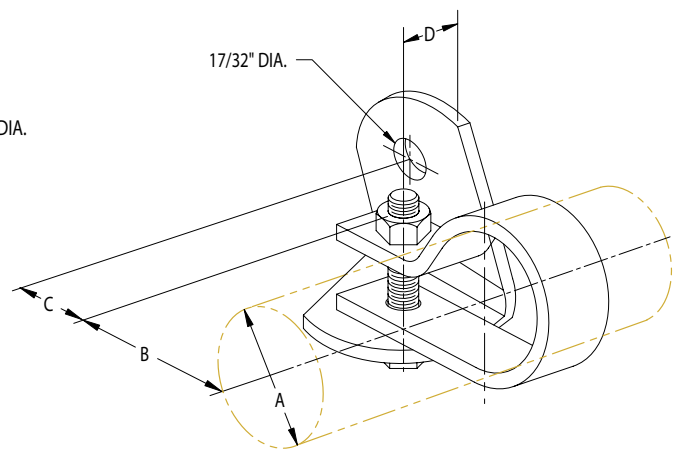


Fig. 2

## SWAY BRACING TP225A

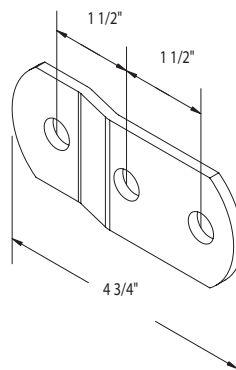
### Quick Loader Adapter Plate

- Surface Finish: Black
- Allows TP225 to be attached with two or three attachment bolts



**NOTE:** Also available in EG finish

| Part Number |
|-------------|
| TP225A000PL |



## SWAY BRACING TP230

### Quick In-line Longitudinal Sway Brace Clamp

- Size Range: 1" thru 8" braced pipe
- Surface Finish: Black or Electro-zinc plated
- Used for longitudinally bracing piping against sway

**NOTE:** Also available in EG finish



| Part Number      | Fig. No. | A (Braced Pipe Size) | B (Bracing Pipe Size) | C     | D  |
|------------------|----------|----------------------|-----------------------|-------|----|
| TP2301000100PL   | 1        | 1"                   | 1"                    | 3/16" | 1" |
| TP2301000125PL   | 1        | 1-1/4"               | 1"                    | 3/16" | 1" |
| TP2301000150PL   | 1        | 1-1/2"               | 1"                    | 3/16" | 1" |
| TP2301000200PL   | 1        | 2"                   | 1"                    | 3/16" | 1" |
| TP2301000250PL   | 1        | 2-1/2"               | 1"                    | 3/16" | 1" |
| TP2301000300PL   | 1        | 3"                   | 1"                    | 3/16" | 1" |
| TP2301000400PL   | 1        | 4"                   | 1"                    | 3/16" | 1" |
| TP2301000500PL   | 1        | 5"                   | 1"                    | 3/16" | 2" |
| TP2301000600PL   | 1        | 6"                   | 1"                    | 3/16" | 2" |
| TP2301000800PL   | 1        | 8"                   | 1"                    | 1/4"  | 2" |
| TP2301250125PL   | 1        | 1-1/4"               | 1-1/4"                | 3/16" | 1" |
| TP2301250150PL   | 1        | 1-1/2"               | 1-1/4"                | 3/16" | 1" |
| TP2301250200PL   | 1        | 2"                   | 1-1/4"                | 3/16" | 1" |
| TP2301250250PL   | 1        | 2-1/2"               | 1-1/4"                | 3/16" | 1" |
| TP2301250300PL   | 1        | 3"                   | 1-1/4"                | 3/16" | 1" |
| TP2301250400PL   | 1        | 4"                   | 1-1/4"                | 3/16" | 1" |
| TP2301250500PL   | 1        | 5"                   | 1-1/4"                | 3/16" | 2" |
| TP2301250600PL   | 1        | 6"                   | 1-1/4"                | 3/16" | 2" |
| TP2301250800PL   | 1        | 8"                   | 1-1/4"                | 1/4"  | 2" |
| TP230G1000600PL* | 2        | 6"                   | 1"                    | 3/16" | 2" |
| TP230G1000800PL* | 2        | 8"                   | 1"                    | 1/4"  | 2" |
| TP230G1250600PL* | 2        | 6"                   | 1-1/4"                | 3/16" | 2" |
| TP230G1250800PL* | 2        | 8"                   | 1-1/4"                | 1/4"  | 2" |

\*Heavy Duty Assembly

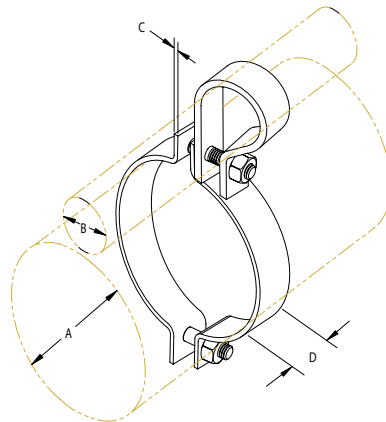


Fig.1

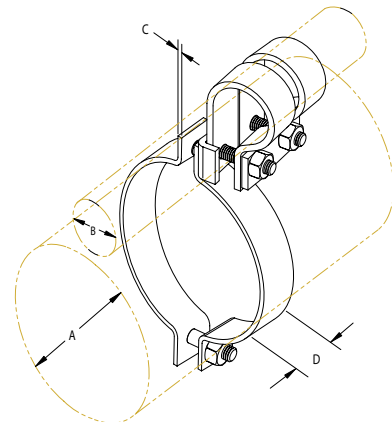


Fig.2



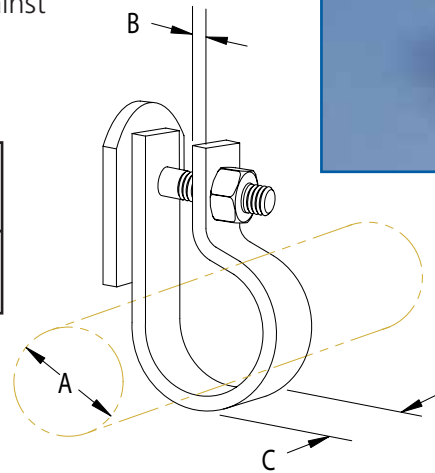
## SWAY BRACING TP235

### Quick Tab Longitudinal Sway Brace Fitting

- Size Range: 1" and 1-1/4" bracing pipe
- Surface Finish: Black
- Used for longitudinally bracing piping against sway when welding is an option



| Part Number | A (Bracing Pipe Size) | B     | C  |
|-------------|-----------------------|-------|----|
| TP235100PL  | 1"                    | 3/16" | 1" |
| TP235125PL  | 1-1/4"                | 3/16" | 1" |



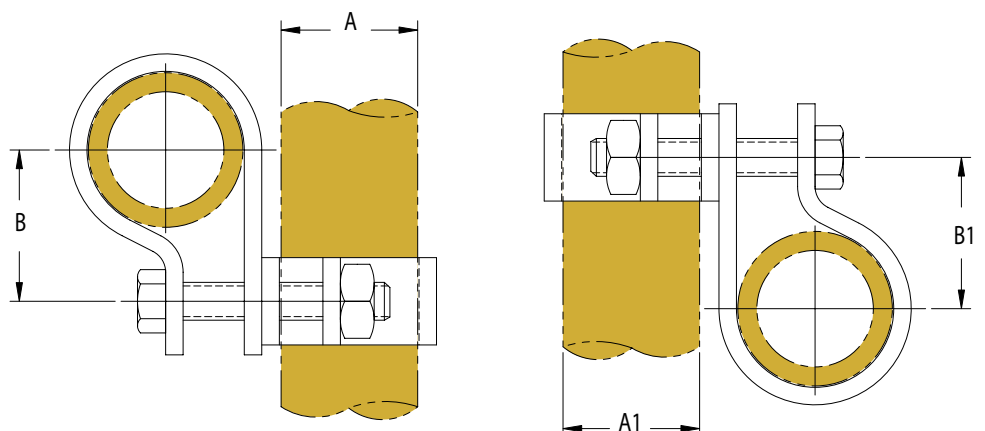
## SWAY BRACING TP240

### Quick 4-way Longitudinal Sway Brace Clamp

- Size Range: 1" and 1-1/4" bracing pipe
- Surface Finish: Black, Electro-zinc plated
- Used for longitudinally bracing lateral sway bracing against sway disturbance
- Also used for riser bracing



| Part Number                | A (Bracing Pipe Size)<br>A x A1 | B      | B1     |
|----------------------------|---------------------------------|--------|--------|
| Electro-zinc Plated Finish |                                 |        |        |
| TP2401000100EG             | 1" x 1"                         | 1-3/8" | 1-3/8" |
| TP2401000125EG             | 1" x 1-1/4"                     | 1-3/8" | 1-5/8" |
| Plain Finish               |                                 |        |        |
| TP2401000100PL             | 1" x 1"                         | 1-3/8" | 1-3/8" |
| TP2401000125PL             | 1" x 1-1/4"                     | 1-3/8" | 1-5/8" |



## SWAY BRACING TP280

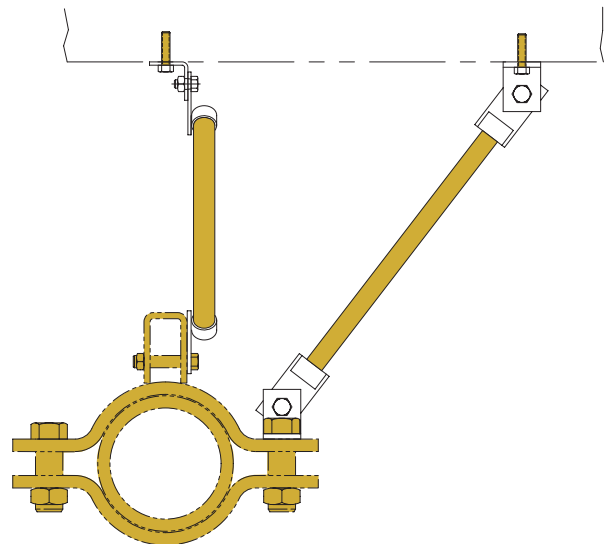
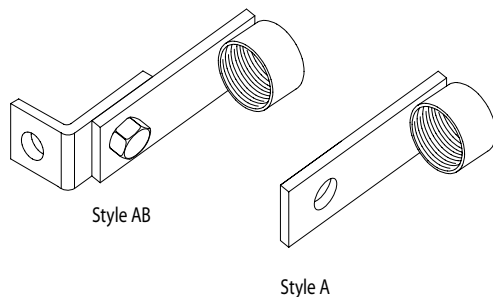
### Threaded Sway Brace Fitting

- Size Range: 1" pipe
- Surface Finish: Black or Electro-zinc plated
- Used with Models: #400, #450, #610, and any length of 1" pipe to restrain pipe from swaying during an earthquake

**NOTE:** Electro-zinc plated available by special order



| Part Number  | Pipe Size | Style |
|--------------|-----------|-------|
| Plain Finish |           |       |
| TP2800100PL  | 1"        | AB    |
| TP280P0100PL | 1"        | A     |



## UL® LISTED LOAD CHART FOR ERICO® SWAY BRACES

| Nominal<br>ASTM<br>Pipe Size | ASTM<br>Schedule<br>or Type* | Schedule<br>40 Sway<br>Brace Pipe<br>Size** | UL Min.<br>Required<br>Load-Ref.<br>UL 203A*** | ERICO Clamps UL Listed Loads (lbs) |                 |                |                 |                |                 |                |                |
|------------------------------|------------------------------|---|--|------------------------------------|-----------------|----------------|-----------------|----------------|-----------------|----------------|----------------|
|                              |                              |   |  | Model<br>TP220                     | Model<br>TP220G | Model<br>TP225 | Model<br>TP225G | Model<br>TP230 | Model<br>TP230G | Model<br>TP235 | Model<br>TP240 |
| 2"                           | 10 - 40                      | 1" or 1-1/4"                                | 380  | 380                                | N/A             | 1100           | 3660            | 1575           | N/A             | 1100           | 935            |
| 2-1/2"                       | 10 - 40                      | 1" or 1-1/4"                                | 395  | 395                                | N/A             | 1100           | 3660            | 1575           | N/A             | 1100           | 935            |
| 3"                           | 10 - 40                      | 1" or 1-1/4"                                | 435  | 435                                | N/A             | 1100           | 3660            | 1575           | N/A             | 1100           | 935            |
| 3-1/2"                       | 10 - 40                      | 1" or 1-1/4"                                | 540  | 540                                | N/A             | 1100           | 3660            | 1575           | N/A             | 1100           | 935            |
| 4"                           | 10 - 40                      | 1" or 1-1/4"                                | 655  | 655                                | 1740            | 1100           | 3660            | N/A            | 3660            | 1100           | 935            |
| 5"                           | 10 - 40                      | 1" or 1-1/4"                                | 935  | 935                                | 1880            | 1100           | 3660            | N/A            | 3660            | 1100           | 935            |
| 6"                           | 10 - 40                      | 1" or 1-1/4"                                | 1265   | N/A                                | 2610            | N/A            | 3660            | N/A            | 3660            | N/A            | N/A            |
| 8"                           | 10 - 40                      | 1" or 1-1/4"                                | 2015   | N/A                                | 3660            | N/A            | 3660            | N/A            | 3660            | N/A            | N/A            |

\*ERICO Sway Braces are UL® tested and Listed for use with ASTM® schedule 10 through 40 brace pipe

\*\*ERICO Sway Braces meet the full UL rated load when used with 1" or 1-1/4" schedule 40 brace pipe

\*\*\*ERICO Sway Braces meet the UL requirement that lateral braces must support a load equal to 1-1/2 times the rated load without slippage



## DIMENSIONAL LEGEND

|                            |                                  |
|----------------------------|----------------------------------|
| <b>A</b> Adjustment        | <b>BS</b> Bolt Size              |
| <b>CL</b> Center Line      | <b>H</b> Height                  |
| <b>HS</b> Hole Size        | <b>ID</b> Inside Diameter        |
| <b>L</b> Length            | <b>MRI</b> Minimum Rod Insertion |
| <b>OD</b> Outside Diameter | <b>PS</b> Pipe Size              |
| <b>R</b> Radius            | <b>RS</b> Rod Size               |
| <b>T</b> Thickness         | <b>W</b> Width                   |

## MATERIAL USED

### **CAST IRON:**

Grey Cast Iron, ANSI®/ASTM® A 48-76, Class #20

### **MALLEABLE IRON:**

ANSI/ASTM A 47-77, Grade Number 32510

### **SPRING STEEL:**

High Carbon Steel, tempered.

### **STAINLESS STEEL:**

(S4) ANSI Type 304 Stainless Steel: (S6) ANSI Type 316, ASTM A240

### **STEEL:**

- M1020 Merchant Bar Quality, ANSI/ASTM A 36
- Prime Quality, Low Carbon, Hot Rolled Sheet, (may be Pickled and Oiled) ANSI/ASTM A 569
- Commercial Quality, Low Carbon, Cold Rolled, ANSI/ASTM A 366

## INSTALLATION

1. All pipe supports, hangers, intermediate components and structural attachments must **ONLY** be used to support pipe, tubing or conduit as stated herein and are **NEVER** to be used for any other purpose.
2. All pipe supports and hangers are designed **ONLY** for **STATIONARY** piping unless otherwise noted.
3. All supports, hangers, clamps and accessories shown to use two nuts on the hanger rod or a jam nut must have nuts tightened securely to assure proper performance.

## FINISHES

Standard Finish on all products is plain without coating unless noted. Alternative finishes may be available upon request.

### **CADDY® COAT:**

Electrostatic coating.

### **COPPER:**

**CP** Copper electroplate (no corrosion protection; for identification purposes only).  
(Alternate finish is CADDY COAT.)

### **EPOXY: EP**

### **LAMINATE:**

**FL** Felt Lined

### **PAINTED:**

**RO** Red Oxide Primer  
**PT** Painted (Color may vary)

### **PLAIN:**

**PL** Plain without coating

**POLYMER:** (normally applied by fluidized bed process, 5 mil minimum thickness)

**PVC (VC)** Polyvinyl Chloride

### **ZINC:**

**EG** Zinc electroplate (ANSI/ASTM B 633)

**PRE-GAL (PG)** Continuous mill annealed and galvanized. Cut edges and welded areas are not zinc coated. Zinc near the uncoated metal becomes a sacrificial anode which protects the bare areas after exposure (ANSI/ASTM A 525 and 526).  
**HDG (HD)** Hot Dipped Galvanization after fabrication; submerged in a bath of molten zinc; forms a metallurgical bond covering all surfaces (ANSI/ASTM A 123).

**ZP** Zinc and Phosphate coatings combined to provide a corrosion resistant barrier to resist rusting in accordance with ASTM B117-61 Federal Test Number QQM-151.

All dimensions are in inches unless otherwise noted.

See page 263 for finish and material descriptions. All material is Electro-Galvanized Steel unless otherwise noted.



## PIPE HANGER & SUPPORT RECOMMENDED SPECIFICATIONS

This specification has been compiled from generally accepted engineering principles and standards from the American National Standards Institute (ANSI®), Manufacturers Standardization Society (MSS), Factory Mutual (FM), Underwriters Laboratories (UL®) and other pertinent documents. The specification is intended as a guide only and it is the design engineers responsibility to use it in conjunction with the data found in this catalog to determine the best product or products for the user's application. The Model numbers are those of ERICO®.

### I. MATERIAL DESIGN AND MANUFACTURE

All pipe hanger and supports shall be manufactured to comply with the latest edition of MSS-SP-58. Where applicable, design and manufacture of these products must also conform to ANSI/ASME® Code for Pressure Piping, B31.1; UL203 Standard for Pipe Hanger Equipment and Fire Protection Service; Factory Mutual FM1551 Approval Standard for Pipe Hanger Components for Automatic Sprinkler Systems; Metal Framing Manufacturers Association, MFMA-2 and Local Building Codes. Pipe hangers and supports shall be supplied by ERICO.

### II. SELECTION

#### A. STANDARDS

All selection and installation of pipe supports shall conform to MSS-SP-69 and other specifications that may apply which are listed in this document.

#### B. LOAD CALCULATIONS

Hangers, supports, anchors and restraints must be selected to withstand all static and dynamic loading conditions which act upon the piping system and associated equipment. Piping supports and equipment must be considered as a total system and appropriate balance calculations made to determine load forces at critical stress points.

Loading conditions to be considered may include but are not limited to:

1. The total load of pipe, fittings, valves, insulation and any expected contents of the pipe.
2. Thermal expansion and contraction.
3. Stress from cycling of equipment or process.
4. Vibration transmitted to or from equipment or terminal connection.
5. Wind, snow or ice loading on outdoor piping.
6. Loading due to seismic forces if required by code or specification.

#### C. STRUCTURAL LOADS

Static and dynamic forces at points of attachment must be considered to help ensure structural integrity of buildings or equipment. Hanger and supports must be selected so as to minimize the effect of piping system loading on the structure.

#### D. MATERIALS

1. Appropriate materials and protective coatings shall be used to prevent failure from environmental and galvanic corrosion.
2. Material that comes in contact with pipe shall be compatible with piping material so that neither has a deteriorating effect on the other.

#### E. HANGER SPACING

The maximum allowable spacing for pipe hangers shall be in accordance with Hanger Locations and Spacing Table on page 254. Where concentrated loads of flanges, valves, fittings, etc. occur, or there are building structural loading limitations, close spacing will be necessary and shall be based on the weight to be supported and the maximum recommended loads for the pipe hangers.



## PIPE HANGER & SUPPORT RECOMMENDED SPECIFICATIONS

### F. PIPE ATTACHMENTS—HOT SYSTEMS

1. Hot systems are classified as those piping systems that have operating temperatures over 120°F (49°C).
2. Systems with operating temperatures over 450°F (232°C) require special designs for any hanger or support that is in direct contact with pipe. This is important in determining the raw materials needed as required by MSS SP-58. Maximum operating temperatures should be specified to the support manufacturer.
3. If piping is insulated, the connection of the pipe attachments to the hanger rod shall be outside the insulation so that movement of the line will not cause damage to the insulation.
4. Horizontal hot piping shall allow for expansion and contraction. If pipe movement is negligible, an ERICO® Model #1031 shall be used for pipe up thru 3". If pipe is supported from above and the movement is less than 4°, hanger components shall be selected to allow for swing using ERICO Models #450, #452 or #453 Pipe Clamps in conjunction with a Model #35 Forged Steel Eye Nut or Model #40W Welded Eye Rod. If the swing is greater than 4°, a traveling device should be provided for horizontal movement. If pipe is supported from above, ERICO Models # 605, #610, #612, or #620 Roller Hangers are to be used. For piping supported below, use ERICO #615, #617, #619 or #621 Roller Supports. ERICO Model #640 Pipe Slide Assembly may be utilized if low coefficients of friction are required on support piping. Models #630 thru #635 Protection Saddles should be tack welded to the pipe to protect the insulation from damage due to pipe movement and then filled with the specified insulating material.
5. Vertical hot piping requires a resilient support if significant movement occurs due to expansion and contraction of the pipe. Selection of the supports depends on the permissible load variation and effects on adjacent equipment. If vertical movement is negligible an ERICO Model #510 shall be used for steel pipe or a Model #511 shall be used for copper pipe. Use ERICO Variable Spring Hangers if supporting force must be limited to 6 percent and cannot be accommodated by a Variable Spring Hanger, Constant Support Hangers should be specified.

### G. PIPE ATTACHMENTS—AMBIENT SYSTEMS

1. Ambient systems are classified as those piping systems that have operating temperatures between 60°F (16°C) and 119°F (48°C).
2. Horizontal piping systems shall be supported by ERICO Model #100 Swivel Loop Hanger for 1/2"-8" steel pipe and Model #400 Clevis Hanger for steel pipe 8" and larger. Copper pipe shall be supported by Model #102A PVC Coated Swivel Loop Hanger.
3. Vertical piping requires support at each floor by ERICO Model #510 Riser Clamp for steel pipe and Model #511 Riser Clamp for copper pipe. Also acceptable are U-bolts, ERICO Model #150 used with steel plates bolted securely to building structure or equipment framing.

### H. PIPE ATTACHMENTS—COLD SYSTEMS

1. Cold systems are classified as those piping systems that have operating temperature below 60°F (16°C).
2. Hangers exposed to temperatures below -40°F (-40°C) require special design by the design engineer.
3. Horizontal piping requiring insulation shall be provided with vapor barriers. Under no circumstances shall supports or guides be applied directly to horizontal pipe or tubing on vapor barriered lines. Pipe shall be supported by ERICO Model #1031 Pre-Insulated Swivel Loop Hangers for pipe up to 3" and Model #4031 Pre-Insulated Clevis Hangers for pipe larger than 3". Pipe not requiring insulation shall be supported in the same manner as required for ambient temperature piping.
4. Vertical piping requirements are the same as required for ambient piping systems except that any penetration thru the vapor barrier will be covered by an approved method.



## PIPE HANGER & SUPPORT RECOMMENDED SPECIFICATIONS

### I. PIPE ATTACHMENTS – Plastic Pipe

1. Rigid plastic pipe (ABS, PVC, CPVC etc.) shall be supported by hangers with a welded-in support shield to spread the load bearing surface, ERICO® Model #103 for sizes through 6" pipe and ERICO® Model #403 on 8" pipe and larger.
2. Flexible plastic (polyethylene, etc.) shall be supported continuously by an 18 gauge sheet metal through ERICO Model #104 and #VTR.

### J. PIPE ATTACHMENTS – Glass Pipe

Glass pipe shall be supported with a PVC cushioned wrought steel swivel loop hanger, ERICO Model #102.

### K. SPECIALTY PIPING

Asbestos Cement, Reinforced Fiberglass or any other specialty piping shall be supported per the pipe manufacturer's recommendations.

### L. INTERMEDIATE ATTACHMENTS

1. Where negligible movement of pipe occurs at hanger locations, the below listed minimum hanger rod sizes shall be used.

| Nominal Pipe or Tubing Size | Minimum Rod Size |
|-----------------------------|------------------|
| 1/4" - 2"                   | 3/8"             |
| 2-1/2" - 3-1/2"             | 1/2"             |
| 4" - 5"                     | 5/8"             |
| 6"                          | 3/4"             |
| 8" - 12"                    | 7/8"             |
| 14" - 18"                   | 1"               |
| 20" - 24"                   | 1-1/4"           |

2. Where significant vertical movement of the pipe occurs at the support location, a resilient support shall be used. Selection of resilient supports shall be based on permissible variation and effects on adjacent equipment. Use ERICO Variable Spring Hangers or if supporting force must be limited to percent and cannot be accommodated by a Variable Spring Hanger, a Constant Support Spring Hanger should be specified.
3. The contractor shall furnish all miscellaneous hardware items designed to be utilized with various support components such as bolts, nuts, washers, turnbuckles, etc. All threads must use lock nuts or vibration resistant nuts where potential vibration may cause failure.



## PIPE HANGER & SUPPORT RECOMMENDED SPECIFICATIONS

### M. STRUCTURAL ATTACHMENTS

1. In general, piping shall be supported from walls, beams, columns and slabs using approved structural attachments. In situations where approved attachments cannot be used, alternative attachments or substructure assemblies must receive approval prior to installation. Prior approval must be given for any cutting or drilling of building structural steel. Damage to the structure through welding, cutting or drilling will not be permitted if it reduces the structures strength to a point below the established safety factor for said structure. Approvals may only be granted by a qualified structural engineer.
2. **BUILDING STEEL HORIZONTAL:**  
For eccentric loading applications, utilize the ERICO® Model #300 Universal Beam attachments . For concentric loading, utilize the ERICO Model # 360 or #361 Center Load Beam Clamps.
3. **BUILDING STEEL VERTICAL**  
Use ERICO Models: #352 or #353 Steel Wall Brackets where horizontal piping adjustment is necessary; where vertical piping adjustment is necessary use strut, ERICO Models: #A12, #B12 or #C14 with strut pipe clamps; Model #RIGD, or strut tubing clamps; Model #COPC.
4. **POURED CONCRETE CEILING, AND WALLS:**  
Use accurately located spot inserts, ERICO Model #355 or Continuous Inserts Model # CONCT and place on forms before concrete is poured.
5. Where pre-set spot inserts cannot be in place before the pour, use expansions shields, ERICO Model #345 series, or as approved. No drilling of precast, pre-stressed concrete will be permitted. Special types of clamps which attach to the precast slab ribbing shall be provided as structural attachments.
6. Expansion loops and expansion joints shall have pipe guides, ERICO Models: #650 and #651 on each side of the loop or joint to maintain alignment. Each line that has this expansion potential shall be anchored to the structure at each change of direction.
7. Any additional structural steel required to properly support piping or equipment shall be furnished and installed under this contract.



## PIPE HANGER & SUPPORT RECOMMENDED SPECIFICATIONS

### N. HANGER LOCATIONS AND SPACING

1.

| Nom. Pipe or Tube Dia. | Standard Weight Steel Pipe |      |               |      | Copper Tube   |     |               |     |
|------------------------|----------------------------|------|---------------|------|---------------|-----|---------------|-----|
|                        | Water Service              |      | Vapor Service |      | Water Service |     | Vapor Service |     |
|                        | Ft                         | M*   | Ft            | M*   | Ft            | M*  | Ft            | M*  |
| 1/4"                   | 7                          | 2.1  | 8             | 2.4  | 5             | 1.5 | 5             | 1.5 |
| 3/8"                   | 7                          | 2.1  | 8             | 2.4  | 5             | 1.5 | 6             | 1.8 |
| 1/2"                   | 7                          | 2.1  | 8             | 2.4  | 5             | 1.5 | 6             | 1.8 |
| 3/4"                   | 7                          | 2.1  | 9             | 2.7  | 5             | 1.5 | 7             | 2.1 |
| 1"                     | 7                          | 2.1  | 9             | 2.7  | 6             | 1.8 | 8             | 2.4 |
| 1-1/4"                 | 7                          | 2.1  | 9             | 2.7  | 7             | 2.1 | 9             | 2.7 |
| 1-1/2"                 | 9                          | 2.7  | 12            | 3.7  | 8             | 2.4 | 10            | 3.0 |
| 2"                     | 10                         | 3.0  | 13            | 4.0  | 8             | 2.4 | 11            | 3.4 |
| 2-1/2"                 | 11                         | 3.4  | 14            | 4.3  | 9             | 2.7 | 13            | 4.0 |
| 3"                     | 12                         | 3.7  | 15            | 4.6  | 10            | 3.0 | 14            | 4.3 |
| 3-1/2"                 | 13                         | 4.0  | 16            | 4.9  | 11            | 3.4 | 15            | 4.6 |
| 4"                     | 14                         | 4.3  | 17            | 5.2  | 12            | 3.7 | 16            | 4.9 |
| 5"                     | 16                         | 4.9  | 19            | 5.8  | 13            | 4.0 | 18            | 5.5 |
| 6"                     | 17                         | 5.2  | 21            | 6.4  | 14            | 4.3 | 20            | 6.1 |
| 8"                     | 19                         | 5.8  | 24            | 7.3  | 16            | 4.9 | 23            | 7.0 |
| 10"                    | 20                         | 6.1  | 26            | 7.9  | 18            | 5.5 | 25            | 7.6 |
| 12"                    | 23                         | 7.0  | 30            | 9.1  | 19            | 5.8 | 28            | 8.5 |
| 14"                    | 25                         | 7.6  | 32            | 9.8  | N/A           | N/A | N/A           | N/A |
| 16"                    | 27                         | 8.2  | 35            | 10.7 | N/A           | N/A | N/A           | N/A |
| 18"                    | 28                         | 8.5  | 37            | 11.3 | N/A           | N/A | N/A           | N/A |
| 20"                    | 30                         | 9.1  | 39            | 11.9 | N/A           | N/A | N/A           | N/A |
| 24"                    | 32                         | 9.8  | 42            | 12.8 | N/A           | N/A | N/A           | N/A |
| 30"                    | 33                         | 10.4 | 44            | 13.4 | N/A           | N/A | N/A           | N/A |

\*Meters

NOTE: These spacings do not apply where span calculations are made or where there are concentrated loads between supports such as flanges, valves, specialties, etc. or changes in direction requiring additional supports.

2. FIRE PROTECTION: follow requirements of National Fire Protection Assoc. NFPA® pamphlets 11, 12, 13, 14, 15, 16, 17.
3. CAST IRON PRESSURE: 12 feet (3.7 m) maximum spacing with a minimum of one (1) hanger per pipe section close to the joint on the barrel. Also at all change of directions and branch connections.
4. CAST IRON SOIL: 10 feet (3.0 m) maximum spacing with a minimum of one (1) hanger per section close to joint on the barrel. Also at change of direction and branch connection.
5. GLASS: 8 feet (2.4 m) maximum spacing, follow manufacturer's recommendations.
6. PLASTIC: follow pipe manufacturer's recommendations for material and service temperature.
7. FIBERGLASS REINFORCED: follow pipe manufacturer's recommendations for spacing and service condition.
8. NO SUB SOIL PIPE: horizontal piping shall be hung at every other joint except when the developed length between the hangers exceeds four (4) feet, the pipe shall be hung at each joint. Hangers shall be provided at each horizontal branch connection, on each water closet bend or elbow and at each trap. Where piping and fittings are suspended on hangers more than 18 inches long and on each water closet bend or elbow, rigid hangers or sway bracing shall be provided at every other hanger and hung piping and closet bends shall not have any horizontal movement in any direction. Hangers shall be placed within one inch of the coupling at each joint requiring a hanger. Vertical piping shall be supported at each floor level including slabs on grade with riser clamps.
9. In general, a hanger shall be used within one foot of each change of direction and at each valve or equipment connection.



## PIPE HANGER & SUPPORT RECOMMENDED SPECIFICATIONS

### O. SPECIAL SITUATIONS

1. Under Slab On Grade and Below Ground, if it is known at time of design that soil conditions at the job site are suitable for the support of underground piping, or if no information is available as to soil conditions, all piping shall be supported as specified under maximum pipe hanger and support spacing. Each support shall be constructed of masonry units, a minimum of two bricks wide by the diameter of the pipe, with the bottoms of the supports bearing on firm undisturbed soil.
2. In general, all special situations not specifically covered herein must be approved prior to installation.

### P. ATTACHMENTS MADE BY WELDING

All welded type support components shall be in accordance with MSS-SP-58. All attachments welded to the pipe shall be in accordance with MSS-SP-58 and Pipe Fabrication Institute, Standard ES-26. Welded and bolted attachments to the building structural steel shall be in accordance with the requirements of AISC Specification for the Design, Fabrication and Erection of Structural Steel Buildings.

### Q. THE FOLLOWING ARE NOT ACCEPTABLE OR PERMITTED

1. Wire hangers
2. Perforated strap
3. Hanging from unreinforced metal roof deck
4. Hanging from cellular roof deck
5. Wood plugs
6. Soft insulation at point of support on cold lines

(Sections N through Q were extracted from MSS SP-69, 1991, with permission of the publisher, The Manufacturer's Standardization Society).

Visit [www.erico.com](http://www.erico.com) for the most current specifications.



## PIPE HANGER & SUPPORT RECOMMENDED SPECIFICATIONS

### CROSS REFERENCE MSS SPECIFICATION TO ERICO®

| MSS Type No. | ERICO Model No.                               | MSS Type No. | ERICO Model No. |
|--------------|---|--------------|-----------------|
| 1            | 400, 401, 402, 410<br>404, 405, 406, 420, 427 | 29           | N/A             |
| 2            | N/A   | 30           | 360             |
| 3            | 452, 453                                      | 31           | 351             |
| 4            | 450, 451                                      | 32           | 352             |
| 5            | 418   | 33           | 353             |
| 6            | 111   | 34           | 325, 326, 327   |
| 7            | 105, 106                                      | 35           | 640             |
| 8            | 510, 511, 515, 520                            | 36           | 720             |
| 9            | 1, 2, 3                                       | 37           | 721, 724        |
| 10           | 100, 101, 102, 102A,<br>115, 130              | 38           | 722, 723        |
| 11           | N/A   | 39           | 630-635         |
| 12           | 455, 456, CADDY® SUPERFIX 454                 | 40           | 125             |
| 13           | 30  | 41           | 605, 620        |
| 14           | 31  | 42           | N/A             |
| 15           | N/A   | 43           | 610, 612        |
| 16           | 47  | 44           | 615, 617        |
| 17           | 35  | 45           | N/A             |
| 18           | 355   | 46           | 619             |
| 19           | 300, 301, 310                                 | 47           | *               |
| 20           | N/A   | 48           | *               |
| 21           | 361   | 49           | 625             |
| 22           | 320   | 50           | *               |
| 23           | 200, 255, 315                                 | 51           | *               |
| 24           | 150, 151                                      | 52           | *               |
| 25           | 367   | 53           | *               |
| 26           | 470   | 54           | *               |
| 27           | 363   | 55           | *               |
| 28           | N/A   | 56           | *               |
|              |   | 57           | 371             |
|              |   | 58           | *               |

\*Contact ERICO for corresponding part number.



## PIPE HANGER & SUPPORT RECOMMENDED SPECIFICATIONS

### CROSS REFERENCE FEDERAL SPECIFICATION WW-H-171 TO ERICO®

| WW-H-171 No. | ERICO Model No.                                |
|--------------|--|
| 1            | 400, 400FL, 401, 405<br>406, 415, 420, 427     |
| 2            | N/A  |
| 3            | 452, 453                                       |
| 4            | 450, 451                                       |
| 5            | N/A  |
| 6            | 111  |
| 7            | 105, 106                                       |
| 8            | 510, 511, 515, 520                             |
| 9            | 1, 2, 3  |
| 10           | 100, 100FL, 100JR, 101,<br>102, 102A, 115, 130 |
| 11           | N/A  |
| 12           | 410, 410FL, 402                                |
| 13           | 30   |
| 14           | 31   |
| 15           | N/A  |
| 16           | 46   |
| 17           | 35   |
| 18           | N/A  |
| 19           | 355  |
| 20           | N/A  |
| 21           | 361, 364                                       |
| 22           | 320L   |
| 23           | 200, 255, 315, 300/300I, 310                   |
| 24           | 150, 151                                       |
| 25           | 455, 456                                       |
| 26           | 470  |
| 27           | N/A  |
| 28           | N/A  |
| 29           | N/A  |

| WW-H-171 No. | ERICO Model No. |
|--------------|-----------------|
| 30           | N/A             |
| 31           | N/A             |
| 32           | 351             |
| 33           | 352             |
| 34           | 354             |
| 35           | 325, 326, 328   |
| 36           | 720, 723        |
| 37           | 720             |
| 38           | 721, 724        |
| 39           | 722, 723        |
| 40           | 630-635         |
| 41           | 125             |
| 42           | 605, 620        |
| 43           | N/A             |
| 44           | 610, 612        |
| 45           | 615, 617        |
| 46           | N/A             |
| 47           | 619             |
| 48           | N/A             |
| 49           | *               |
| 50           | 625             |
| 51           | *               |
| 52           | *               |
| 53           | 367             |
| 54           | 363             |
| 55           | *               |
| 56           | *               |
| 57           | 371             |
| 58           | *               |
| 59           | *               |

\*Contact ERICO for corresponding part number.



## PIPE HANGER & SUPPORT RECOMMENDED SPECIFICATIONS

### STEEL PIPE DATA

(Schedule 40 & 80)

| Nominal Pipe Size (Inches) | Sched. Number | OD of Pipe (Inches) | Wall Thickness (Inches) | Weight (lbs/ft) | Weight of Pipe filled w/Water (lbs/ft) |
|----------------------------|---------------|---------------------|-------------------------|-----------------|--|
| 3/8                        | 40            | .675                | .091                    | .567            | .647                                   |
|                            | 80            |                     | .126                    | .738            | .798                                   |
| 1/2                        | 40            | .840                | .109                    | .850            | .980                                   |
|                            | 80            |                     | .147                    | 1.09            | 1.19                                   |
| 3/4                        | 40            | 1.050               | .113                    | 1.13            | 1.36                                   |
|                            | 80            |                     | .154                    | 1.47            | 1.66                                   |
| 1                          | 40            | 1.315               | .133                    | 1.68            | 1.99                                   |
|                            | 80            |                     | .179                    | 2.17            | 2.54                                   |
| 1-1/4                      | 40            | 1.660               | .140                    | 2.27            | 2.92                                   |
|                            | 80            |                     | .191                    | 3.00            | 3.56                                   |
| 1-1/2                      | 40            | 1.900               | .145                    | 2.72            | 3.60                                   |
|                            | 80            |                     | .200                    | 3.63            | 4.40                                   |
| 2                          | 40            | 2.375               | .154                    | 3.65            | 5.10                                   |
|                            | 80            |                     | .218                    | 5.02            | 6.30                                   |
| 2-1/2                      | 40            | 2.875               | .203                    | 5.79            | 7.86                                   |
|                            | 80            |                     | .276                    | 7.66            | 9.49                                   |
| 3                          | 40            | 3.500               | .216                    | 7.58            | 10.78                                  |
|                            | 80            |                     | .300                    | 10.25           | 13.11                                  |
| 3-1/2                      | 40            | 4.000               | .226                    | 9.11            | 13.39                                  |
|                            | 80            |                     | .318                    | 12.51           | 16.36                                  |
| 4                          | 40            | 4.500               | .237                    | 10.79           | 16.30                                  |
|                            | 80            |                     | .337                    | 14.98           | 19.96                                  |
| 5                          | 40            | 5.563               | .258                    | 14.62           | 23.28                                  |
|                            | 80            |                     | .375                    | 20.78           | 28.65                                  |
| 6                          | 40            | 6.625               | .280                    | 18.98           | 31.49                                  |
|                            | 80            |                     | .432                    | 28.57           | 39.86                                  |
| 8                          | 40            | 8.625               | .322                    | 25.55           | 47.15                                  |
|                            | 80            |                     | .500                    | 43.40           | 63.20                                  |
| 10                         | 40            | 10.750              | .365                    | 40.50           | 74.60                                  |
|                            | 80            |                     | .593                    | 64.74           | 95.84                                  |
| 12                         | 40            | 12.750              | .406                    | 53.60           | 102.10                                 |
|                            | 80            |                     | .687                    | 88.60           | 132.60                                 |
| 14                         | 40            | 14.000              | .437                    | 63.37           | 121.87                                 |
|                            | 80            |                     | .750                    | 107.00          | 158.20                                 |
| 16                         | 40            | 16.000              | .500                    | 83.00           | 159.50                                 |
|                            | 80            |                     | .843                    | 137.00          | 206.70                                 |
| 18                         | 40            | 18.000              | .563                    | 105.00          | 202.20                                 |
|                            | 80            |                     | .937                    | 171.00          | 259.50                                 |
| 20                         | 40            | 20.000              | .593                    | 123.00          | 243.40                                 |
|                            | 80            |                     | 1.031                   | 209.00          | 318.40                                 |
| 24                         | 40            | 24.000              | .687                    | 171.00          | 345.20                                 |
|                            | 80            |                     | 1.218                   | 297.00          | 455.20                                 |



## PIPE HANGER & SUPPORT RECOMMENDED SPECIFICATIONS

### STANDARD COPPER TUBING DATA

| Nom. Size<br>(Inches) | OD<br>(Inches) | TYPE "K"       |                    |                                      | TYPE "L"       |                    |                                      |
|-----------------------|----------------|----------------|--------------------|--------------------------------------|----------------|--------------------|--------------------------------------|
|                       |                | ID<br>(Inches) | Weight<br>(lbs/ft) | Wt. Filled<br>With Water<br>(lbs/ft) | ID<br>(Inches) | Weight<br>(lbs/ft) | Wt. Filled<br>With Water<br>(lbs/ft) |
| 1/4                   | .375           | .305           | .145               | .177                                 | .315           | .126               | .160                                 |
| 3/8                   | .500           | .402           | .269               | .275                                 | .430           | .198               | .261                                 |
| 1/2                   | .625           | .527           | .344               | .438                                 | .545           | .285               | .385                                 |
| 5/8                   | .750           | .652           | .418               | .563                                 | .666           | .362               | .512                                 |
| 3/4                   | .875           | .745           | .641               | .829                                 | .785           | .455               | .667                                 |
| 1                     | 1.125          | .995           | .839               | 1.176                                | 1.025          | .655               | 1.011                                |
| 1-1/4                 | 1.375          | 1.245          | 1.040              | 1.570                                | 1.265          | .884               | 1.427                                |
| 1-1/2                 | 1.625          | 1.481          | 1.360              | 2.109                                | 1.505          | 1.140              | 1.889                                |
| 2                     | 2.125          | 1.959          | 2.060              | 3.364                                | 1.985          | 1.750              | 3.092                                |
| 2-1/2                 | 2.625          | 2.435          | 2.930              | 4.927                                | 2.465          | 2.480              | 4.539                                |
| 3                     | 3.125          | 2.907          | 4.000              | 6.870                                | 2.945          | 3.330              | 6.263                                |
| 3-1/2                 | 3.625          | 3.385          | 5.120              | 9.051                                | 3.425          | 4.290              | 8.284                                |
| 4                     | 4.125          | 3.857          | 6.510              | 11.564                               | 3.905          | 5.380              | 10.559                               |
| 5                     | 5.125          | 4.805          | 9.670              | 17.532                               | 4.875          | 7.610              | 15.697                               |
| 6                     | 6.125          | 5.741          | 13.900             | 25.132                               | 5.845          | 10.200             | 21.806                               |
| 8                     | 8.125          | 7.583          | 25.900             | 45.494                               | 7.725          | 19.300             | 39.580                               |
| 10                    | 10.125         | 9.449          | 40.300             | 70.689                               | 9.625          | 30.100             | 61.612                               |
| 12                    | 12.125         | 11.315         | 57.800             | 101.355                              | 11.565         | 40.400             | 85.890                               |

### AWWA CAST IRON PIPE (Class 150)

| Nominal Pipe Size<br>(Inches) | OD of Pipe<br>(Inches) | Wall Thickness<br>(Inches) | Weight of Pipe<br>(lbs/ft) | Weight of Pipe<br>Filled w/Water<br>(lbs/ft) |
|-------------------------------|------------------------|----------------------------|----------------------------|--|
| 3                             | 3.96                   | .32                        | 12.19                      | 15.92  |
| 4                             | 4.80                   | .35                        | 16.25                      | 21.97  |
| 6                             | 6.90                   | .38                        | 25.63                      | 38.43  |
| 8                             | 9.05                   | .41                        | 36.56                      | 59.66  |
| 10                            | 11.10                  | .44                        | 48.44                      | 73.94  |
| 12                            | 13.20                  | .48                        | 62.82                      | 113.82                                       |
| 14                            | 15.30                  | .51                        | 78.75                      | 148.05                                       |
| 16                            | 17.40                  | .54                        | 95.00                      | 185.30                                       |
| 18                            | 19.50                  | .58                        | 114.69                     | 228.69                                       |
| 20                            | 21.60                  | .62                        | 135.94                     | 277.44                                       |
| 24                            | 25.80                  | .73                        | 190.31                     | 391.31                                       |
| 30                            | 32.00                  | .85                        | 277.19                     | 589.19                                       |
| 36                            | 38.30                  | .94                        | 365.90                     | 814.90                                       |
| 42                            | 44.50                  | 1.05                       | 475.30                     | 1087.30                                      |
| 48                            | 50.80                  | 1.14                       | 589.60                     | 1392.60                                      |



## PIPE HANGER & SUPPORT RECOMMENDED SPECIFICATIONS

### SERVICE WEIGHT CAST IRON SOIL PIPE (Bell & Spigot Type)

| Nominal Pipe Size (Inches) | OD of Pipe (Inches) | Wall Thickness (Inches) | Weight of Pipe (lbs/ft) | Weight of Pipe Filled w/Water (lbs/ft) |
|----------------------------|---------------------|-------------------------|-------------------------|--|
| 2                          | 2.25                | .17                     | 4.0                     | 5.5                                    |
| 3                          | 3.25                | .17                     | 6.0                     | 9.4                                    |
| 4                          | 4.25                | .18                     | 8.0                     | 14.2                                   |
| 5                          | 5.25                | .18                     | 10.4                    | 22.7                                   |
| 6                          | 6.25                | .18                     | 13.0                    | 26.9                                   |
| 8                          | 8.38                | .23                     | 20.0                    | 45.7                                   |
| 10                         | 10.5                | .28                     | 29.0                    | 69.6                                   |
| 12                         | 12.5                | .28                     | 38.0                    | 96.2                                   |
| 15                         | 15.62               | .31                     | 51.0                    | 147.6                                  |

Based on ASTM® A74

### EXTRA WEIGHT CAST IRON SOIL PIPE (Bell & Spigot Type)

| Nominal Pipe Size (Inches) | OD of Pipe (Inches) | Wall Thickness (Inches) | Weight of Pipe (lbs/ft) | Weight of Pipe Filled w/Water (lbs/ft) |
|----------------------------|---------------------|-------------------------|-------------------------|--|
| 2                          | 2.38                | .19                     | 5.0                     | 6.6                                    |
| 3                          | 3.50                | .25                     | 9.0                     | 12.7                                   |
| 4                          | 4.50                | .25                     | 12.0                    | 18.5                                   |
| 5                          | 5.50                | .25                     | 15.0                    | 25.2                                   |
| 6                          | 6.50                | .25                     | 19.0                    | 33.7                                   |
| 8                          | 8.62                | .31                     | 30.0                    | 56.1                                   |
| 10                         | 10.75               | .37                     | 43.0                    | 83.8                                   |
| 12                         | 12.75               | .38                     | 54.0                    | 112.8                                  |
| 15                         | 15.88               | .44                     | 75.0                    | 166.8                                  |

Based on ASTM A74

### NO HUB CAST IRON SOIL PIPE

| Nominal Pipe Size (Inches) | OD of Pipe (Inches) | Wall Thickness (Inches) | Weight of Pipe (lbs/ft) | Weight of Pipe Filled w/Water (lbs/ft) |
|----------------------------|---------------------|-------------------------|-------------------------|--|
| 1-1/2                      | 1.90                | .16                     | 2.7                     | 6.2                                    |
| 2                          | 2.35                | .16                     | 3.6                     | 8.6                                    |
| 3                          | 3.35                | .16                     | 5.2                     | 13.5                                   |
| 4                          | 4.38                | .19                     | 7.4                     | 20.2                                   |
| 5                          | 5.30                | .19                     | 9.6                     | 27.5                                   |
| 6                          | 6.30                | .19                     | 11.0                    | 34.0                                   |
| 8                          | 8.38                | .23                     | 18.0                    | 57.5                                   |

Based on ASTM A74



## PIPE HANGER & SUPPORT RECOMMENDED SPECIFICATIONS

### PVC PLASTIC PIPE

| Nominal Pipe Size (Inches) | Schedule Number | OD of Pipe (Inches) | Wall Thickness (Inches) | Weight (lbs/ft) | Weight of Pipe Filled w/Water (lbs/ft) |
|----------------------------|-----------------|---------------------|-------------------------|-----------------|--|
| 1/8                        | 40              | .405                | .068                    | .043            | .068                                   |
|                            | 80              |                     | .095                    | .055            | .071                                   |
| 1/4                        | 40              | .540                | .088                    | .074            | .119                                   |
|                            | 80              |                     | .119                    | .094            | .125                                   |
| 3/8                        | 40              | .675                | .091                    | .100            | .183                                   |
|                            | 80              |                     | .126                    | .129            | .190                                   |
| 1/2                        | 40              | .840                | .109                    | .150            | .282                                   |
|                            | 80              |                     | .147                    | .150            | .251                                   |
| 3/4                        | 40              | 1.050               | .113                    | .199            | .429                                   |
|                            | 80              |                     | .154                    | .295            | .481                                   |
| 1                          | 40              | 1.315               | .133                    | .295            | .669                                   |
|                            | 80              |                     | .179                    | .382            | .693                                   |
| 1-1/4                      | 40              | 1.660               | .140                    | .400            | 1.047                                  |
|                            | 80              |                     | .191                    | .527            | 1.082                                  |
| 1-1/2                      | 40              | 1.900               | .145                    | .478            | 1.360                                  |
|                            | 80              |                     | .200                    | .639            | 1.404                                  |
| 2                          | 40              | 2.375               | .154                    | .643            | 2.095                                  |
|                            | 80              |                     | .218                    | .884            | 2.163                                  |
| 2-1/2                      | 40              | 2.875               | .203                    | 1.020           | 3.092                                  |
|                            | 80              |                     | .276                    | 1.350           | 3.184                                  |
| 3                          | 40              | 3.500               | .216                    | 1.333           | 4.533                                  |
|                            | 80              |                     | .300                    | 1.804           | 4.664                                  |
| 3-1/2                      | 40              | 4.000               | .226                    | 1.598           | 5.878                                  |
|                            | 80              |                     | .318                    | 2.195           | 6.045                                  |
| 4                          | 40              | 4.500               | .237                    | 1.899           | 7.409                                  |
|                            | 80              |                     | .337                    | 2.636           | 7.616                                  |
| 5                          | 40              | 5.563               | .258                    | 2.770           | 11.430                                 |
|                            | 80              |                     | .375                    | 4.126           | 11.996                                 |
| 6                          | 40              | 6.625               | .280                    | 3.339           | 15.489                                 |
|                            | 80              |                     | .432                    | 5.028           | 16.318                                 |
| 8                          | 40              | 8.625               | .322                    | 5.280           | 26.880                                 |
|                            | 80              |                     | .500                    | 8.023           | 27.823                                 |
| 10                         | 40              | 10.750              | .366                    | 7.505           | 41.605                                 |
|                            | 80              |                     | .593                    | 11.894          | 42.994                                 |
| 12                         | 40              | 12.750              | .406                    | 10.023          | 58.523                                 |
|                            | 80              |                     | .687                    | 16.365          | 60.365                                 |

### GLASS PIPE DATA

| REGULAR SCHEDULE           |                     |                         |                         |  |
|----------------------------|---------------------|-------------------------|-------------------------|--|
| Nominal Pipe Size (Inches) | OD of Pipe (Inches) | Wall Thickness (Inches) | Weight of Pipe (lbs/ft) | Weight of Pipe Filled w/Water (lbs/ft) |
| 1-1/2                      | 1.84                | .12                     | .64                     | .89                                    |
| 2                          | 2.34                | .14                     | .94                     | 1.45                                   |
| 3                          | 3.41                | .17                     | 1.60                    | 3.19                                   |
| 4                          | 4.53                | .20                     | 2.60                    | 5.79                                   |
| 6                          | 6.66                | .24                     | 4.70                    | 12.78                                  |
| HEAVY SCHEDULE             |                     |                         |                         |  |
| 1                          | 1.31                | .16                     | .60                     | .95                                    |
| 1-1/2                      | 1.84                | .17                     | .87                     | 1.63                                   |
| 2                          | 2.34                | .17                     | 1.10                    | 2.46                                   |
| 3                          | 3.41                | .20                     | 2.00                    | 5.06                                   |
| 4                          | 4.53                | .26                     | 3.40                    | N/A                                    |
| 6                          | 6.66                | .33                     | 6.30                    | N/A                                    |



## PIPE HANGER & SUPPORT RECOMMENDED SPECIFICATIONS

### SIZING CHARTS FOR INSULATION SHIELDS AND HANGERS for Model #: 103, 121, 122, 125, 403

#### FOR IRON PIPE

| Nominal Pipe (Inches) |        | Insulation Thickness |       |       |        |       |        |    |        |    |        |
|-----------------------|--------|----------------------|-------|-------|--------|-------|--------|----|--------|----|--------|
| Size                  | OD     | 1/2"                 | 3/4"  | 1"    | 1-1/2" | 2"    | 2-1/2" | 3" | 3-1/2" | 4" | 4-1/2" |
| 1/2                   | 0.840  | 2                    | 2     | 2-1/2 | 3-1/2  | 4-1/2 | 6      | 7  | -      | -  | -      |
| 3/4                   | 1.050  | 2                    | 2-1/2 | 2-1/2 | 3-1/2  | 4-1/2 | 6      | 7  | -      | -  | -      |
| 1                     | 1.315  | 2                    | 2-1/2 | 3     | 4      | 5     | 6      | 7  | -      | -  | -      |
| 1-1/4                 | 1.660  | 2-1/2                | 3     | 3     | 4-1/2  | 5     | 6      | 7  | -      | -  | -      |
| 1-1/2                 | 1.900  | 2-1/2                | 3     | 3-1/2 | 4-1/2  | 6     | 7      | 8  | -      | -  | -      |
| 2                     | 2.375  | 3                    | 3-1/2 | 4     | 5      | 6     | 7      | 8  | 9      | -  | -      |
| 2-1/2                 | 2.875  | 3-1/2                | 4     | 4-1/2 | 6      | 7     | 8      | 9  | 10     | -  | -      |
| 3                     | 3.500  | 4                    | 4-1/2 | 5     | 7      | 8     | 9      | 10 | 10     | 11 | -      |
| 3-1/2                 | 4.000  | 4-1/2                | 5     | 6     | 7      | 8     | 9      | 10 | 11     | 12 | -      |
| 4                     | 4.500  | 5                    | 6     | 6     | 7      | 8     | 9      | 10 | 11     | 12 | -      |
| 5                     | 5.562  | 6                    | 7     | 7     | 8      | 9     | 10     | 11 | 12     | 14 | -      |
| 6                     | 6.625  | 7                    | 8     | 8     | 9      | 10    | 12     | 12 | 14     | 16 | -      |
| 8                     | 8.625  | 9                    | 10    | 10    | 11     | 12    | 14     | 15 | 16     | 18 | 18     |
| 10                    | 10.750 | 11                   | 12    | 12    | 14     | 15    | 16     | 17 | 18     | 20 | 20     |
| 12                    | 12.750 | 14                   | 14    | 14    | 16     | 17    | 18     | 19 | 20     | 22 | 22     |

#### FOR COPPER TUBING

| Nominal Tubing (Inches) |       | Insulation Thickness |       |       |        |
|-------------------------|-------|----------------------|-------|-------|--------|
| Size                    | OD    | 1/2"                 | 3/4"  | 1"    | 1-1/2" |
| 1/2                     | 0.625 | 1-1/2                | 1-1/2 | 2-1/2 | 3-1/2  |
| 3/4                     | 0.875 | 2                    | 2     | 2-1/2 | 3-1/2  |
| 7/8                     | 1.000 | 2                    | 2-1/2 | 3     | 3-1/2  |
| 1                       | 1.125 | 2                    | 2-1/2 | 3     | 3-1/2  |
| 1-1/4                   | 1.375 | 2                    | 2-1/2 | 3     | 4      |
| 1-1/2                   | 1.625 | 2-1/2                | 3     | 3-1/2 | 4-1/2  |
| 2                       | 2.125 | 3                    | 3-1/2 | 4     | 5      |
| 2-1/2                   | 2.625 | 3-1/2                | 4     | 4     | 5      |
| 3                       | 3.125 | 4                    | 4-1/2 | 5     | 6      |
| 3-1/2                   | 3.625 | 4-1/2                | 4-1/2 | 6     | 6      |
| 4                       | 4.125 | 5                    | 5     | 7     | 7      |
| 5                       | 5.125 | 6                    | 6     | 8     | 8      |
| 6                       | 6.125 | 7                    | 7     | 9     | 9      |



## CADDY® ERISTRUT LOAD APPLICATIONS

### CHANNEL FRAMING

CADDY® ERISTRUT channel and continuous inserts are cold roll-formed from high quality carbon steel. The raw steel used conforms to the following ASTM® specifications:

| GAGE | FINISH      | ASTM NO.              |
|------|-------------|-----------------------|
| 12   | GR; HDG; PG | A570 GR33<br>A446 GRA |
| 14   | GR; HDG; PG | A570 GR33<br>A446 GRA |

### FINISHES

#### GREEN POWDER COATED (GN)

CADDY ERISTRUT green polyurethane powder coating is electrostatically applied after fabrication. Once the channel is pre-treated and cleaned, it is coated with the powder. It proceeds through a baking process creating a chemical bond, resulting in a 1.5 mil thickness of polyurethane coating. This coating provides excellent resistance to chipping, peeling, and corrosion.

#### PRE-GALVANIZED (PG)

The zinc coating on this channel is produced by hot dipping the steel coil or sheet at the mill prior to fabrication. This process is also known as "mill galvanized". The steel is then rolled and processed to produce various sizes and configurations of channel. During the fabrication of this product, the cut edges and welded areas are no longer zinc coated. However, the zinc near the uncoated metal provides sufficient protection to any bare areas. Pre-galvanized channel is suitable for use in dry or mildly corrosive atmospheres.

#### HOT DIP GALVANIZED (HD)

The zinc coating in this finish is applied after rolling and fabrication. The bond formed by dipping the finished product in molten zinc, completely covers all surfaces, including edges and welds. This zinc coating is recommended for prolonged outdoor exposure and will normally protect steel for up to 20 years or more. For best results, any field cuts should be treated with a zinc-rich paint to ensure the integrity of the finish.

#### STAINLESS STEEL (S4 OR S6)

CADDY ERISTRUT offers channel and accessories in AISI Type 304 or Type 316 stainless steel. Both are non magnetic. Stainless steel reduces long term maintenance costs, is ideal for use in extreme ambient temperatures and is resistant to corrosion.

#### ALUMINUM (AL)

Aluminum channel offers low installation costs through ease of handling and field cutting, while providing excellent corrosion resistance. All aluminum channels are extruded from aluminum alloy 6063-T6. Strut fittings are made from aluminum alloy 5052-H32.

#### PLAIN (PL)

The plain finish designation means that the channel retains the oiled surface applied to the steel prior to the rolling process. This channel offers no protection from corrosion.

#### FITTINGS

CADDY ERISTRUT fittings, unless otherwise noted, are punch pressed from hot rolled, pickled and oiled steel plates, strip or coil, and conform to ASTM specifications A575, A576, A635 and A36. The pickling of the steel provides a smooth scale-free surface.

#### HARDWARE

CADDY ERISTRUT's Channel nuts are designed to provide gripping power and ease during installation. Channel nuts are press formed, machined and hardened from steel that meets the requirements of ASTM A576, ASTM A675 and ASTM A108. Standard finish is electro-plated zinc (ASTM B663).

Channel nuts are rectangular with beveled end to permit quarter turn in the channel after insertion through the rolled opening. Toothed grooves engage the rolled edges of the channel and prevent movement of the nut after tightening of the bolt and nut. All bolts, screws and nuts meet the physical and chemical requirements of ASTM A307, SAE J429 and ASTM A563, as well as having unified inch screw threads (course, UNC). Metric threads are also available.

#### ELECTRO-PLATED ZINC (EG)

The Electro-plated Zinc process deposits a coating of zinc over the steel by electrolysis from a bath of zinc sales. EG finish is usually recommended for indoor use in relatively dry areas. Unless otherwise noted, the standard finish for all CADDY® ERISTRUT fittings and accessories is EG. This finish conforms with ASTM B633 SC1.



## CADDY® ERISTRUT LOAD APPLICATIONS

### USING CADDY ERISTRUT LOAD TABLES

The calculation for beam loading on a piece of strut or a beam supported on both ends with a uniformly distributed load is based on the following equations taken from "Machinery's Handbook, 26th edition":

$$\text{Stress at center (worst case)} = -\frac{WL}{8Z} \quad [\text{eq. 1}]$$

$$\text{Maximum deflection at center} = \frac{5}{384} * \frac{WL^3}{EI} \quad [\text{eq. 2}]$$

W = Load value evenly distributed over the strut (maximum supplied by the manufacturer)

Z = Section modulus (calculated or supplied by the manufacturer)

E = Modulus of elasticity of the material (29,000,000 psi for commercial grade steel)

I = Moment of inertia of the cross section of the strut (calculated or supplied by the manufacturer)

L = Length of strut

### Selecting the CADDY ERISTRUT Profile

Typically the capacity ratings for strut are listed for an evenly distributed load as shown above. Although this case may be rare for pipe support applications, it does provide a baseline from which the acceptable load for a given piping layout can be obtained. The figures listed in the load tables are based on a yield stress rating for steel. CADDY® ERISTRUT uses 25,000 psi as the maximum stress allowed in the strut member.

The most commonly asked question concerning beam design for strut is how are the loads calculated if a point load or several point loads are applied instead of a uniformly distributed load. This can be derived from the supplied information using simple conversion numbers derived from the formulas in "Machinery's Handbook." A sample of the calculation used for the listed, evenly distributed load and a single-point load is shown in the next equation.

$$\text{Point load stress} = \frac{WL}{4Z}$$

$$\text{Evenly distributed load stress} = \frac{WL}{8Z}$$

$$\frac{\text{Evenly distributed load stress}}{\text{Point load stress}} = \frac{1}{2} = 0.50$$

The comparison formula shows the stress is doubled and the allowable load cut in half when applying a point load instead of an evenly distributed load. This is case 2 on the Loading Application Tables. Other load factors are also shown. Simply apply the load factor for the appropriate case to the maximum loads shown in the catalog to obtain the maximum load for the situation. The load used in the calculation should include a factor of safety appropriate for the application in which the strut is being used.

Consider an applied load of 250 lb. (AL) as a point load to the center of a 24-in. section of strut. Assume that the strut has half slots and the required factor of safety (FS) is 3. First, determine the appropriate hole factor (HF) and load factor (LF) from the Load Application Table. Then calculate the design load.

$$\text{Design load} = \frac{AL * FS}{LF * HF} = \frac{250 \text{ lb.} * 3}{0.5 * 0.9} = 1667 \text{ lb.}$$

Next, in the load tables, find the strut section which has a uniform load rating higher than the design load for a 24 inch section. Note that A12 allows 1692 lb. for a 24 inch section. If no strut sections will support the design load, a different support configuration may need to be selected.

### Deflection Calculations

The maximum allowable deflection is based on an industry standard of the length of the member divided by 240. For a 24-in. section of channel, this would yield an allowable deflection of 0.10-in. These values are listed in the load tables. (For A12 strut, the deflection for a simply supported beam with uniform load of 250 lb. using equation 2 is:)

$$\text{Uniform Load Deflection (ULD)} = \frac{5}{384} * \frac{WL^3}{EI} =$$

$$\frac{5 * 250 \text{ lb.} * (24 \text{ in})^3}{384 * 29,000,000 \text{ lb. in}^2 * 0.188 \text{ in}^4} = 0.008 \text{ in.}$$



All dimensions are in inches unless otherwise noted. See page 263 for finish and material descriptions. All material is Electro-Galvanized Steel unless otherwise noted.

## CADDY® ERISTRUT LOAD APPLICATIONS

In order to determine the deflection for other loading cases, multiply the deflection amount for the uniform loading case by the deflection factor found in the Load Application Chart. An allowance must be made for channel that is punched with slots or holes. For a simply supported beam with full slots and a concentrated load in the center of the span, where:

$$\text{Deflection} = \text{ULD} * \text{DF} \div \text{HF} = \frac{0.008 \text{ in.} * 1.6}{.90} = 0.014 \text{ in.}$$

$$\text{Allowable Deflection} = \frac{L}{240} = \frac{24 \text{ in.}}{240} = 0.10 \text{ in.}$$

Note that this deflection is within the recommended range. If it is not, another beam or another support configuration should be selected.

ULD = Uniform Load Deflection (see calculation pg. 264)

DF = Deflection Factor (see Table pg. 265-266)

HF = Hole Factor (see Table pg. 266)

LF = Load Factor (see Table pg. 265-266)

### Factor of Safety Calculations


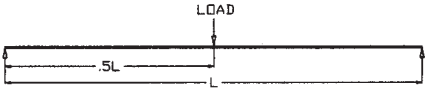


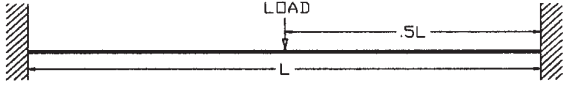
CADDY® ERISTRUT uses 25,000 psi as the maximum stress allowed in the strut member. Considering a 1-5/8" X 1-5/8" piece of 12 gauge channel (CADDY® ERISTRUT Model A12) two (2) feet in length with an applied load of 250 lb. Using Equation 1 we find the values of:

$$\text{Stress} = \frac{WL}{8Z} = \frac{250 \text{ lb.} * 24 \text{ in.}}{8 * 0.203 \text{ in.}^3} = 3695 \text{ psi.}$$

Since our example is for a point load, the stress will be doubled per the Load Application Chart.

$$\text{Factor of safety} = \frac{\text{LF} * \text{HF} * 25,000 \text{ psi.}}{\text{Actual Stress}} = \frac{0.5 * 0.9 * 25,000}{3695} = 3$$

The figures on these pages illustrate the load applications and the derived conversion factors. These factors multiplied by the load ratings listed on pages 268-274 will give the maximum recommended load in that application for the type of CADDY ERISTRUT being used.


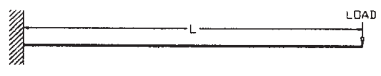
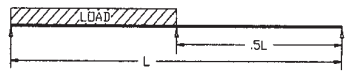
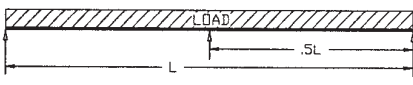
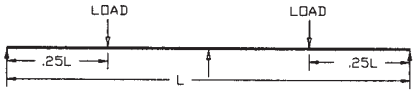
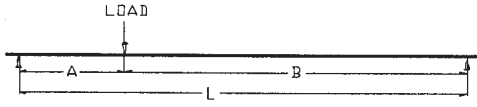

| Loading Application   | Load Factor (LF) | Deflection Factor (DF) |
|---|------------------|------------------------|
| Simple beam with a uniformly applied load and supported at each end<br>                                  | 1.00             | 1.00                   |
| Simple beam with a concentrated load at center and supported at each end<br>                             | 0.50             | 1.60                   |
| Simple beam with 2 equal concentrated loads at 1/4 total length from ends and supported at each end.<br> | 1.00             | 1.10                   |
| Beam fixed at both ends with a uniformly applied load<br>  | 1.50             | 0.20                   |
| Beam fixed at both ends with a concentrated load at center<br>   | 1.00             | 0.40                   |

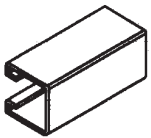
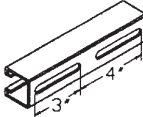
All dimensions are in inches unless otherwise noted.

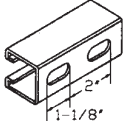
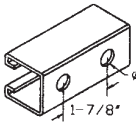
See page 263 for finish and material descriptions. All material is Electro-Galvanized Steel unless otherwise noted.



## CADDY® ERISTRUT LOAD APPLICATIONS

| Loading Application   | Load Factor (LF)        | Deflection Factor (DF) |
|---|-------------------------|------------------------|
| Cantilever Beam with a uniform load.<br>   | 0.25                    | 9.60                   |
| Cantilever beam with a concentrated load at the end or at any point along the length.<br>          | 0.12                    | 25.60                  |
| Continuous beam over 2 equal spans with a uniform load on one span.<br>                            | 1.30                    | 0.71                   |
| Continuous beam over 2 equal spans with a uniform load on both spans.<br>                          | 1.00                    | 0.42                   |
| Continuous beam over 2 equal spans with a concentrated load at the center of both spans.<br>      | 0.67                    | 0.72                   |
| A beam supported at both ends with 2 symmetrical loads at the same distance from the end.<br>    | $\frac{L^2}{8 * A * B}$ | Contact ERICO®         |
| A beam supported at both ends with 2 symmetrical loads each the same distance from each end.<br> | $\frac{2 * L}{8 * A}$   | Contact ERICO          |

| Hole Type     | Sample  | Hole Factor (HF) |
|---------------|---|------------------|
| None or Solid |  | 1.00             |
| Full Slot     |  | 0.90             |

| Hole Type | Sample   | Hole Factor (HF) |
|-----------|--|------------------|
| Half Slot |  | 0.92             |
| Punched   |  | 0.92             |

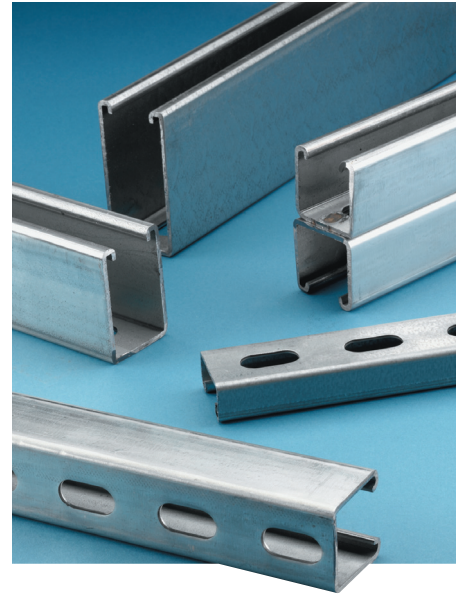
All dimensions are in inches unless otherwise noted.  
 See page 263 for finish and material descriptions. All material is Electro-Galvanized Steel unless otherwise noted.



## CADDY® ERISTRUT CHANNEL

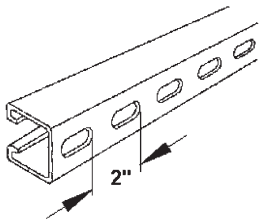
### Selection Chart

| Model No. | Width (Inches) | Height (Inches) | Gauge |
|-----------|----------------|-----------------|-------|
| A12       | 1-5/8          | 1-5/8           | 12    |
| A14       | 1-5/8          | 1-5/8           | 14    |
| B12       | 1-5/8          | 1-3/8           | 12    |
| C12       | 1-5/8          | 13/16           | 12    |
| C14       | 1-5/8          | 13/16           | 14    |
| D12       | 1-5/8          | 2-7/16          | 12    |
| E12       | 1-5/8          | 3-1/4           | 12    |
| M12       | 1-5/8          | 1               | 12    |



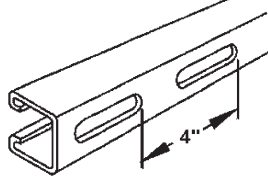
#### HALF SLOT (H)

1-1/8" x 9/16" slots, punched 2" on center



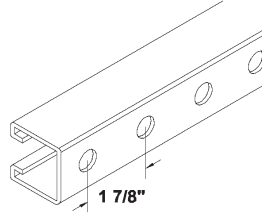
#### SLOT (S)

3" x 7/16" slots, punched 4" on center



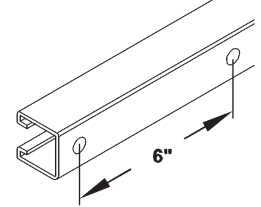
#### PUNCH (P)

9/16" holes, punched 1-7/8" on center



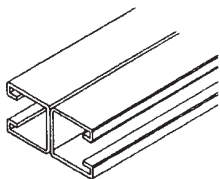
#### KNOCKOUT (K)

1/2" knockout (7/8"), located 6" on center

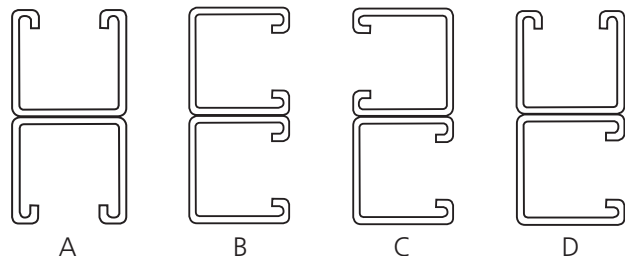


#### WELDED

Two or more lengths spot welded together. ("A" configuration shown.)



#### WELDED Configurations

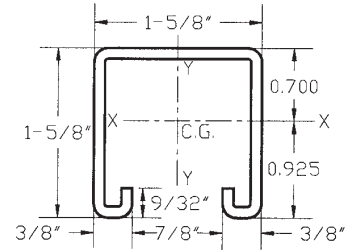
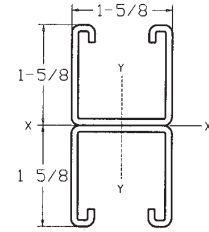
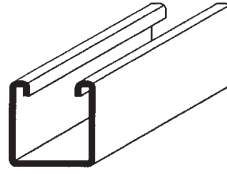


(Special configurations available upon request.)

All dimensions are in inches unless otherwise noted. See page 263 for finish and material descriptions. All material is Electro-Galvanized Steel unless otherwise noted.



## CADDY® ERISTRUT A12 CHANNEL



| ELEMENTS OF SECTION |               |                                 |                      |                      |        |                      |                      |        |
|---------------------|---------------|---------------------------------|----------------------|----------------------|--------|----------------------|----------------------|--------|
| Channel Part No.    | Weight lbs/ft | Area of Section in <sup>2</sup> | Axis x-x             |                      |        | Axis y-y             |                      |        |
|                     |               |                                 | I (in <sup>4</sup> ) | Z (in <sup>3</sup> ) | r (in) | I (in <sup>4</sup> ) | Z (in <sup>3</sup> ) | r (in) |
| A12                 | 1.890         | .583                            | .188                 | .203                 | .581   | .257                 | .316                 | .680   |
| A12A                | 3.780         | 1.166                           | .920                 | .566                 | .910   | .514                 | .634                 | .680   |

I = moment of inertia    Z = section modulus    r = radius of gyration

| BEAM AND COLUMN LOADS DATA |  |   |   |   |   |
|----------------------------|--|---|---|---|---|
| Channel Part No.           | BEAM SPAN or Unbraced Column Height (inches) | UNIFORM LOAD at Stress of 25,000 psi (lbs.) | DEFLECTION at Stress of 25,000 psi (lbs.) | UNIFORM LOAD (lbs.) when Maximum Deflection = $\frac{\text{span}}{240}$ | Maximum Allowable Load of Column (lbs.) |
| A12<br>UL® Listed          | 18   | 2256  | .031                                      | 2256  | 9481                                    |
|                            | 24   | 1692  | .056                                      | 1692  | 8582                                    |
|                            | 30   | 1353  | .087                                      | 1353  | 7601                                    |
|                            | 36   | 1128  | .126                                      | 1128  | 6595                                    |
|                            | 42   | 967   | .171                                      | 967   | 5595                                    |
|                            | 48   | 846   | .223                                      | 757   | 4718                                    |
|                            | 54   | 752   | .283                                      | 598   | 4090                                    |
|                            | 60   | 677   | .349                                      | 485   | 3616                                    |
|                            | 72   | 564   | .503                                      | 337   | 2936                                    |
|                            | 84   | 483   | .684                                      | 247   | 2461                                    |
|                            | 96   | 423   | .894                                      | 189   | 2101                                    |
|                            | 108  | 376   | 1.131                                     | 150   | 1816                                    |
| 120                        | 338  | 1.396                                       | 121                                       | 1583 **   |   |
| A12A                       | 18   | 6289  | .018                                      | 6289  | 21239                                   |
|                            | 24   | 4717  | .032                                      | 4717  | 20819                                   |
|                            | 30   | 3773  | .050                                      | 3773  | 20279                                   |
|                            | 36   | 3144  | .072                                      | 3144  | 19619                                   |
|                            | 42   | 2695  | .097                                      | 2695  | 18840                                   |
|                            | 48   | 2358  | .127                                      | 2358  | 17940                                   |
|                            | 54   | 2096  | .161                                      | 2096  | 16920                                   |
|                            | 60   | 1887  | .199                                      | 1887  | 15781                                   |
|                            | 72   | 1572  | .286                                      | 1572  | 13141                                   |
|                            | 84   | 1348  | .390                                      | 1210  | 10076                                   |
|                            | 96   | 1179  | .509                                      | 926   | 7715                                    |
|                            | 108  | 1048  | .644                                      | 732   | 6096                                    |
| 120                        | 943  | .796  | 593                                       | 4937  |   |

**BEAM LOADS** – Loads listed are uniformly distributed. When deflection is not a factor, use stress of 25,000 psi. When deflection is a factor, use deflection of  $\frac{\text{span}}{240}$ .

\*\*  $\frac{KL}{r}$  exceeds 200

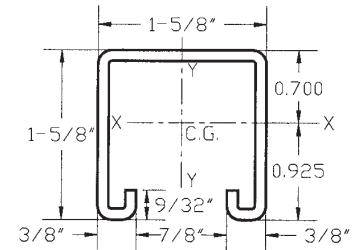
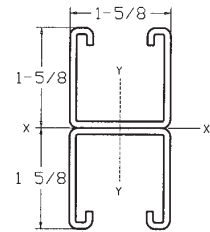
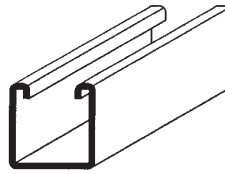
**COLUMN LOADS** – Loads listed are for unbraced height, K = 1.0. Modulus of elasticity = 29,000,000 psi.

**NOTE:** Must specify length, finish, and hole configuration when ordering

All dimensions are in inches unless otherwise noted. See page 263 for finish and material descriptions. All material is Electro-Galvanized Steel unless otherwise noted.



## CADDY® ERISTRUT A14 CHANNEL



| ELEMENTS OF SECTION |               |                                 |                      |                      |        |                      |                      |        |
|---------------------|---------------|---------------------------------|----------------------|----------------------|--------|----------------------|----------------------|--------|
| Channel Part No.    | Weight lbs/ft | Area of Section in <sup>2</sup> | Axis x-x             |                      |        | Axis y-y             |                      |        |
|                     |               |                                 | I (in <sup>4</sup> ) | Z (in <sup>3</sup> ) | r (in) | I (in <sup>4</sup> ) | Z (in <sup>3</sup> ) | r (in) |
| A14                 | 1.350         | .398                            | .142                 | .155                 | .597   | .177                 | .215                 | .655   |
| A14A                | 2.700         | .796                            | .685                 | .421                 | .927   | .354                 | .430                 | .655   |

I = moment of inertia    Z = section modulus    r = radius of gyration

| BEAM AND COLUMN LOADS DATA |  |   |   |   |   |
|----------------------------|--|---|---|---|---|
| Channel Part No.           | BEAM SPAN or Unbraced Column Height (inches) | UNIFORM LOAD at Stress of 25,000 psi (lbs.) | DEFLECTION at Stress of 25,000 psi (lbs.) | UNIFORM LOAD (lbs.) when Maximum Deflection = $\frac{\text{span}}{240}$ | Maximum Allowable Load of Column (lbs.) |
| A14<br>UL® Listed          | 18   | 1722  | .032                                      | 1722  | 6058                                    |
|                            | 24   | 1292  | .056                                      | 1292  | 5483                                    |
|                            | 30   | 1033  | .088                                      | 1033  | 4958                                    |
|                            | 36   | 861   | .127                                      | 861   | 4302                                    |
|                            | 42   | 738   | .173                                      | 738   | 3571                                    |
|                            | 48   | 646   | .226                                      | 572   | 3008                                    |
|                            | 54   | 574   | .286                                      | 452   | 2488                                    |
|                            | 60   | 517   | .353                                      | 366   | 2200                                    |
|                            | 72   | 431   | .506                                      | 254   | 1740                                    |
|                            | 84   | 369   | .692                                      | 187   | 1444                                    |
|                            | 96   | 323   | .903                                      | 143   | 1236                                    |
|                            | 108  | 287   | 1.143                                     | 113   | 1078                                    |
|                            | 120  | 258   | 1.411                                     | 92  | 953 **                                  |
| A14A                       | 18   | 4678  | .018                                      | 4678  | 13085                                   |
|                            | 24   | 3508  | .032                                      | 3508  | 12828                                   |
|                            | 30   | 2807  | .050                                      | 2807  | 12667                                   |
|                            | 36   | 2339  | .072                                      | 2339  | 12256                                   |
|                            | 42   | 2005  | .097                                      | 2005  | 12031                                   |
|                            | 48   | 1754  | .127                                      | 1754  | 11456                                   |
|                            | 54   | 1559  | .161                                      | 1559  | 11179                                   |
|                            | 60   | 1403  | .199                                      | 1403  | 10427                                   |
|                            | 72   | 1169  | .286                                      | 1169  | 9169                                    |
|                            | 84   | 1002  | .389                                      | 901   | 7683                                    |
|                            | 96   | 877   | .509                                      | 690   | 6024                                    |
|                            | 108  | 780   | .644                                      | 545   | 4760                                    |
|                            | 120  | 702   | .796                                      | 441   | 3856                                    |

**BEAM LOADS** – Loads listed are uniformly distributed.  
 When deflection is not a factor, use stress of 25,000 psi.  
 When deflection is a factor, use deflection of  $\frac{\text{span}}{240}$

\*\*  $\frac{KL}{r}$  exceeds 200

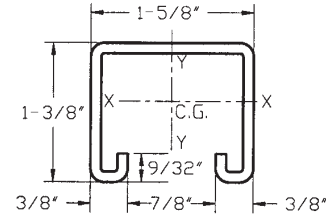
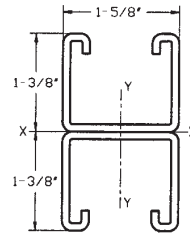
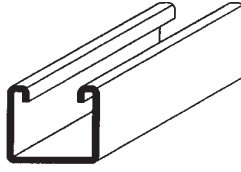
**COLUMN LOADS** – Loads listed are for unbraced height, K = 1.0  
 Modules of elasticity = 29,000,000 psi.

**NOTE:** Must specify length, finish, and hole configuration when ordering

All dimensions are in inches unless otherwise noted.  
 See page 263 for finish and material descriptions. All material is Electro-Galvanized Steel unless otherwise noted.



## CADDY® ERISTRUT B12 CHANNEL



| ELEMENTS OF SECTION |               |                                 |                      |                      |        |                      |                      |        |
|---------------------|---------------|---------------------------------|----------------------|----------------------|--------|----------------------|----------------------|--------|
| Channel Part No.    | Weight lbs/ft | Area of Section in <sup>2</sup> | Axis x-x             |                      |        | Axis y-y             |                      |        |
|                     |               |                                 | I (in <sup>4</sup> ) | Z (in <sup>3</sup> ) | r (in) | I (in <sup>4</sup> ) | Z (in <sup>3</sup> ) | r (in) |
| B12                 | 1.704         | .500                            | .134                 | .168                 | .517   | .219                 | .269                 | .662   |
| B12A                | 3.408         | 1.000                           | .602                 | .438                 | .775   | .438                 | .538                 | .662   |

I = moment of inertia    Z = section modulus    r = radius of gyration

| BEAM AND COLUMN LOADS DATA |  |   |   |   |   |
|----------------------------|--|---|---|---|---|
| Channel Part No.           | BEAM SPAN or Unbraced Column Height (inches) | UNIFORM LOAD at Stress of 25,000 psi (lbs.) | DEFLECTION at Stress of 25,000 psi (lbs.) | UNIFORM LOAD (lbs.) when Maximum Deflection = $\frac{\text{span}}{240}$ | Maximum Allowable Load of Column (lbs.) |
| B12<br>UL® Listed          | 18   | 1867  | .036                                      | 1867  | 9266                                    |
|                            | 24   | 1400  | .065                                      | 1400  | 8387                                    |
|                            | 30   | 1120  | .101                                      | 1120  | 7514                                    |
|                            | 36   | 933   | .146                                      | 933   | 6520                                    |
|                            | 42   | 800   | .199                                      | 705   | 5672                                    |
|                            | 48   | 700   | .259                                      | 540   | 4778                                    |
|                            | 54   | 622   | .328                                      | 426   | 4177                                    |
|                            | 60   | 560   | .405                                      | 345   | 3693                                    |
|                            | 72   | 467   | .584                                      | 240   | 2994                                    |
|                            | 84   | 400   | .794                                      | 176   | 2489                                    |
|                            | 96   | 350   | 1.038                                     | 135   | 1993                                    |
|                            | 108  | 311   | 1.313                                     | 107   | 1574 **                                 |
| 120                        | 280  | 1.621                                       | 86  | 1275 **   |   |
| B12A                       | 18   | 4867  | .021                                      | 4867  | 20831                                   |
|                            | 24   | 3650  | .038                                      | 3650  | 20421                                   |
|                            | 30   | 2920  | .059                                      | 2920  | 19724                                   |
|                            | 36   | 2433  | .085                                      | 2433  | 19083                                   |
|                            | 42   | 2086  | .115                                      | 2086  | 18073                                   |
|                            | 48   | 1825  | .151                                      | 1825  | 17210                                   |
|                            | 54   | 1622  | .191                                      | 1622  | 15869                                   |
|                            | 60   | 1460  | .235                                      | 1460  | 14801                                   |
|                            | 72   | 1217  | .339                                      | 1078  | 11858                                   |
|                            | 84   | 1043  | .461                                      | 792   | 8798                                    |
|                            | 96   | 913   | .602                                      | 606   | 6736                                    |
|                            | 108  | 811   | .762                                      | 479   | 5322                                    |
| 120                        | 730  | .941  | 388                                       | 4311  |   |

**BEAM LOADS** – Loads listed are uniformly distributed.  
 When deflection is not a factor, use stress of 25,000 psi.  
 When deflection is a factor, use deflection of  $\frac{\text{span}}{240}$

\*\*  $\frac{KL}{r}$  exceeds 200

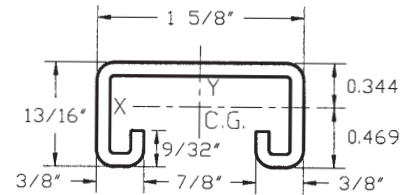
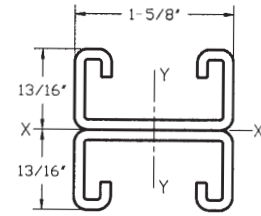
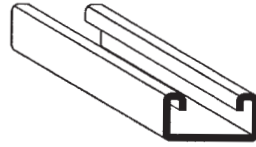
**COLUMN LOADS** – Loads listed are for unbraced height, K = 1.0  
 Modules of elasticity = 29,000,000 psi.

**NOTE:** Must specify length, finish, and hole configuration when ordering

All dimensions are in inches unless otherwise noted.  
 See page 263 for finish and material descriptions. All material is Electro-Galvanized Steel unless otherwise noted.



## CADDY® ERISTRUT C12 CHANNEL



| ELEMENTS OF SECTION |               |                                 |                      |                      |        |                      |                      |        |
|---------------------|---------------|---------------------------------|----------------------|----------------------|--------|----------------------|----------------------|--------|
| Channel Part No.    | Weight lbs/ft | Area of Section in <sup>2</sup> | Axis x-x             |                      |        | Axis y-y             |                      |        |
|                     |               |                                 | I (in <sup>4</sup> ) | Z (in <sup>3</sup> ) | r (in) | I (in <sup>4</sup> ) | Z (in <sup>3</sup> ) | R (in) |
| C12                 | 1.350         | .389                            | .030                 | .061                 | .278   | .145                 | .179                 | .616   |
| C12A                | 2.700         | .766                            | .142                 | .175                 | .431   | .290                 | .357                 | .616   |

I = moment of inertia    Z = section modulus    r = radius of gyration

| BEAM AND COLUMN LOADS DATA |  |   |   |   |   |
|----------------------------|--|---|---|---|---|
| Channel Part No.           | BEAM SPAN or Unbraced Column Height (inches) | UNIFORM LOAD at Stress of 25,000 psi (lbs.) | DEFLECTION at Stress of 25,000 psi (lbs.) | UNIFORM LOAD (lbs.) when Maximum Deflection = $\frac{\text{span}}{240}$ | Maximum Allowable Load of Column (lbs.) |
| C12                        | 18   | 678   | .059                                      | 678   | 7204                                    |
|                            | 24   | 508   | .105                                      | 483   | 6521                                    |
|                            | 30   | 407   | .164                                      | 309   | 4167                                    |
|                            | 36   | 339   | .237                                      | 215   | 3616                                    |
|                            | 42   | 290   | .322                                      | 158   | 2415                                    |
|                            | 48   | 254   | .421                                      | 121   | 2034                                    |
|                            | 54   | 226   | .532                                      | 95  | 1473                                    |
|                            | 60   | 203   | .657                                      | 77  | 1302 **                                 |
|                            | 72   | 169   | .947                                      | 54  | 904 **                                  |
|                            | 84   | 145   | 1.288                                     | 39  | 664 **                                  |
|                            | 96   | 127   | 1.683                                     | 30  | —                                       |
| 108                        | 113  | 2.130                                       | 24  | —   |   |
| 120                        | 102  | 2.629                                       | 19  | —   |   |
| C12A                       | 18   | 1944  | .036                                      | 1944  | 16741                                   |
|                            | 24   | 1458  | .064                                      | 1458  | 16412                                   |
|                            | 30   | 1167  | .100                                      | 1167  | 13825                                   |
|                            | 36   | 972   | .143                                      | 972   | 13376                                   |
|                            | 42   | 833   | .195                                      | 747   | 10169                                   |
|                            | 48   | 729   | .255                                      | 572   | 9683                                    |
|                            | 54   | 648   | .323                                      | 452   | 6699                                    |
|                            | 60   | 583   | .398                                      | 366   | 6248                                    |
|                            | 72   | 486   | .574                                      | 254   | 4339                                    |
|                            | 84   | 417   | .781                                      | 187   | 3188                                    |
|                            | 96   | 365   | 1.020                                     | 143   | 2441 **                                 |
| 108                        | 324  | 1.291                                       | 113                                       | 1928 **   |   |
| 120                        | 292  | 1.594                                       | 92  | 1562 **   |   |

**BEAM LOADS** – Loads listed are uniformly distributed.  
 When deflection is not a factor, use stress of 25,000 psi.  
 When deflection is a factor, use deflection of  $\frac{\text{span}}{240}$

\*\*  $\frac{KL}{r}$  exceeds 200

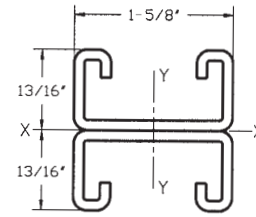
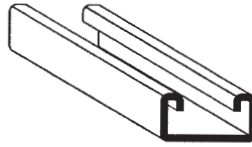
**COLUMN LOADS** – Loads listed are for unbraced height, K = 1.0  
 Modules of elasticity = 29,000,000 psi.

**NOTE:** Must specify length, finish, and hole configuration when ordering

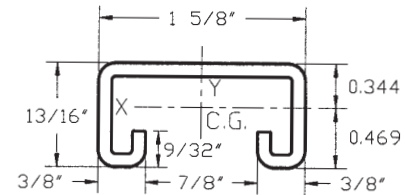
All dimensions are in inches unless otherwise noted.  
 See page 263 for finish and material descriptions. All material is Electro-Galvanized Steel unless otherwise noted.



## CADDY® ERISTRUT C14 CHANNEL



| ELEMENTS OF SECTION |               |                                 |                      |                      |        |                      |                      |        |
|---------------------|---------------|---------------------------------|----------------------|----------------------|--------|----------------------|----------------------|--------|
| Channel Part No.    | Weight lbs/ft | Area of Section in <sup>2</sup> | Axis x-x             |                      |        | Axis y-y             |                      |        |
|                     |               |                                 | I (in <sup>4</sup> ) | Z (in <sup>3</sup> ) | r (in) | I (in <sup>4</sup> ) | Z (in <sup>3</sup> ) | r (in) |
| C14                 | 1.000         | .275                            | .028                 | .060                 | .319   | .116                 | .142                 | .649   |
| C14A                | 2.000         | .550                            | .121                 | .149                 | .469   | .232                 | .284                 | .649   |



I = moment of inertia    Z = section modulus    r = radius of gyration

| BEAM AND COLUMN LOADS DATA |  |   |   |   |   |
|----------------------------|--|---|---|---|---|
| Channel Part No.           | BEAM SPAN or Unbraced Column Height (inches) | UNIFORM LOAD at Stress of 25,000 psi (lbs.) | DEFLECTION at Stress of 25,000 psi (lbs.) | UNIFORM LOAD (lbs.) when Maximum Deflection = $\frac{\text{span}}{240}$ | Maximum Allowable Load of Column (lbs.) |
| C14                        | 18   | 667   | .062                                      | 667   | 5488                                    |
|                            | 24   | 500   | .111                                      | 451   | 4968                                    |
|                            | 30   | 400   | .173                                      | 289   | 3545                                    |
|                            | 36   | 333   | .249                                      | 200   | 3076                                    |
|                            | 42   | 286   | .339                                      | 147   | 2053                                    |
|                            | 48   | 250   | .443                                      | 113   | 1730                                    |
|                            | 54   | 222   | .561                                      | 59  | 1252                                    |
|                            | 60   | 200   | .693                                      | 72  | 1107 **                                 |
|                            | 72   | 167   | .998                                      | 50  | 769 **                                  |
|                            | 84   | 143   | 1.358                                     | 37  | 565 **                                  |
|                            | 96   | 125   | 1.773                                     | 28  | —                                       |
| 108                        | 111  | 2.244                                       | 22  | —   |   |
| 120                        | 100  | 2.771                                       | 18  | —   |   |
| C14A                       | 18   | 1656  | .036                                      | 1656  | 11897                                   |
|                            | 24   | 1242  | .064                                      | 1242  | 11663                                   |
|                            | 30   | 993   | .100                                      | 993   | 10362                                   |
|                            | 36   | 828   | .143                                      | 828   | 10026                                   |
|                            | 42   | 710   | .195                                      | 637   | 8122                                    |
|                            | 48   | 621   | .255                                      | 487   | 7734                                    |
|                            | 54   | 552   | .322                                      | 385   | 5504                                    |
|                            | 60   | 497   | .398                                      | 312   | 5134                                    |
|                            | 72   | 414   | .573                                      | 217   | 3566                                    |
|                            | 84   | 355   | .780                                      | 159   | 2620                                    |
|                            | 96   | 310   | 1.019                                     | 122   | 2006 **                                 |
| 108                        | 276  | 1.290                                       | 96  | 1585 **   |   |
| 120                        | 248  | 1.592                                       | 78  | 1284 **   |   |

**BEAM LOADS** – Loads listed are uniformly distributed. When deflection is not a factor, use stress of 25,000 psi. When deflection is a factor, use deflection of  $\frac{\text{span}}{240}$

\*\*  $\frac{KL}{T}$  exceeds 200

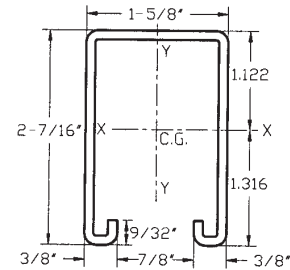
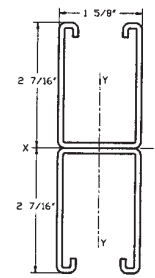
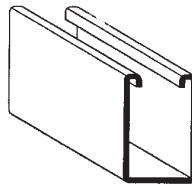
**COLUMN LOADS** – Loads listed are for unbraced height, K = 1.0. Modulus of elasticity = 29,000,000 psi.

**NOTE:** Must specify length, finish, and hole configuration when ordering

All dimensions are in inches unless otherwise noted. See page 263 for finish and material descriptions. All material is Electro-Galvanized Steel unless otherwise noted.



## CADDY® ERISTRUT D12 CHANNEL



| ELEMENTS OF SECTION |               |                                 |                      |                      |        |                      |                      |        |
|---------------------|---------------|---------------------------------|----------------------|----------------------|--------|----------------------|----------------------|--------|
| Channel Part No.    | Weight lbs/ft | Area of Section in <sup>2</sup> | Axis x-x             |                      |        | Axis y-y             |                      |        |
|                     |               |                                 | I (in <sup>4</sup> ) | Z (in <sup>3</sup> ) | r (in) | I (in <sup>4</sup> ) | Z (in <sup>3</sup> ) | r (in) |
| D12                 | 2.470         | .725                            | .520                 | .395                 | .847   | .337                 | .415                 | .682   |
| D12A                | 4.940         | 1.450                           | 2.865                | 1.175                | 1.405  | .674                 | .830                 | .682   |

I = moment of inertia    Z = section modulus    r = radius of gyration

| BEAM AND COLUMN LOADS DATA |  |   |   |   |   |
|----------------------------|--|---|---|---|---|
| Channel Part No.           | BEAM SPAN or Unbraced Column Height (inches) | UNIFORM LOAD at Stress of 25,000 psi (lbs.) | DEFLECTION at Stress of 25,000 psi (lbs.) | UNIFORM LOAD (lbs.) when Maximum Deflection = $\frac{\text{span}}{240}$ | Maximum Allowable Load of Column (lbs.) |
| D12                        | 18   | 4389  | .022                                      | 4389  | 9533                                    |
|                            | 24   | 3292  | .039                                      | 3292  | 8629                                    |
|                            | 30   | 2633  | .061                                      | 2633  | 7821                                    |
|                            | 36   | 2194  | .088                                      | 2194  | 6786                                    |
|                            | 42   | 1881  | .120                                      | 1881  | 5680                                    |
|                            | 48   | 1646  | .157                                      | 1646  | 4785                                    |
|                            | 54   | 1463  | .199                                      | 1463  | 3984                                    |
|                            | 60   | 1317  | .246                                      | 1317  | 3523                                    |
|                            | 72   | 1097  | .354                                      | 931   | 2806                                    |
|                            | 84   | 940   | .481                                      | 684   | 2345                                    |
| D12A                       | 18   | 13056                                       | .012                                      | 13056   | 20500                                   |
|                            | 24   | 9792  | .021                                      | 9792  | 20293                                   |
|                            | 30   | 7833  | .033                                      | 7833  | 19801                                   |
|                            | 36   | 6528  | .048                                      | 6528  | 19509                                   |
|                            | 42   | 5595  | .065                                      | 5595  | 18860                                   |
|                            | 48   | 4896  | .085                                      | 4896  | 18412                                   |
|                            | 54   | 4352  | .107                                      | 4352  | 17607                                   |
|                            | 60   | 3917  | .133                                      | 3917  | 17002                                   |
|                            | 72   | 3264  | .191                                      | 3264  | 15278                                   |
|                            | 84   | 2798  | .260                                      | 2798  | 13240                                   |
|                            | 96   | 2448  | .339                                      | 2448  | 10889                                   |
|                            | 108  | 2176  | .430                                      | 2176  | 8610                                    |
|                            | 120  | 1958  | .530                                      | 1846  | 6974                                    |

**BEAM LOADS** – Loads listed are uniformly distributed.  
 When deflection is not a factor, use stress of 25,000 psi.  
 When deflection is a factor, use deflection of  $\frac{\text{span}}{240}$

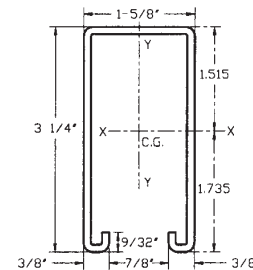
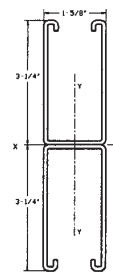
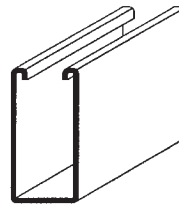
**COLUMN LOADS** – Loads listed are for unbraced height, K = 1.0

**NOTE:** Must specify length, finish, and hole configuration when ordering

All dimensions are in inches unless otherwise noted.  
 See page 263 for finish and material descriptions. All material is Electro-Galvanized Steel unless otherwise noted.



## CADDY® ERISTRUT E12 CHANNEL



| ELEMENTS OF SECTION |               |                                 |                      |                      |        |                      |                      |        |
|---------------------|---------------|---------------------------------|----------------------|----------------------|--------|----------------------|----------------------|--------|
| Channel Part No.    | Weight lbs/ft | Area of Section in <sup>2</sup> | Axis x-x             |                      |        | Axis y-y             |                      |        |
|                     |               |                                 | I (in <sup>4</sup> ) | Z (in <sup>3</sup> ) | r (in) | I (in <sup>4</sup> ) | Z (in <sup>3</sup> ) | r (in) |
| E12                 | 3.060         | .898                            | 1.111                | .640                 | 1.112  | .438                 | .539                 | .698   |
| E12A                | 6.120         | 1.796                           | 6.344                | 1.920                | 1.879  | .876                 | 1.078                | .698   |

I = moment of inertia    Z = section modulus    r = radius of gyration

| BEAM AND COLUMN LOADS DATA |  |   |   |   |   |
|----------------------------|--|---|---|---|---|
| Channel Part No.           | BEAM SPAN or Unbraced Column Height (inches) | UNIFORM LOAD at Stress of 25,000 psi (lbs.) | DEFLECTION at Stress of 25,000 psi (lbs.) | UNIFORM LOAD (lbs.) when Maximum Deflection = $\frac{\text{span}}{240}$ | Maximum Allowable Load of Column (lbs.) |
| E12                        | 18   | 7111  | .017                                      | 7111  | 8598                                    |
|                            | 24   | 5333  | .030                                      | 5333  | 7783                                    |
|                            | 30   | 4267  | .047                                      | 4267  | 7495                                    |
|                            | 36   | 3556  | .067                                      | 3556  | 6503                                    |
|                            | 42   | 3048  | .091                                      | 3048  | 5921                                    |
|                            | 48   | 2667  | .119                                      | 2667  | 4988                                    |
|                            | 54   | 2370  | .151                                      | 2370  | 4066                                    |
|                            | 60   | 2133  | .186                                      | 2133  | 3595                                    |
|                            | 72   | 1778  | .268                                      | 1778  | 2790                                    |
|                            | 84   | 1524  | .365                                      | 1461  | 2291                                    |
|                            | 96   | 1333  | .477                                      | 1119  | 1953                                    |
|                            | 108  | 1185  | .603                                      | 884   | 1708                                    |
| 120                        | 1067   | .745  | 716                                       | 1522  |   |
| E12A                       | 18   | 21333                                       | .009                                      | 21333   | 17925                                   |
|                            | 24   | 16000                                       | .016                                      | 16000   | 17572                                   |
|                            | 30   | 12800                                       | .024                                      | 12800   | 17331                                   |
|                            | 36   | 10667                                       | .035                                      | 10667   | 17127                                   |
|                            | 42   | 9143  | .048                                      | 9143  | 16715                                   |
|                            | 48   | 8000  | .063                                      | 8000  | 16503                                   |
|                            | 54   | 7111  | .079                                      | 7111  | 16102                                   |
|                            | 60   | 6400  | .098                                      | 6400  | 15701                                   |
|                            | 72   | 5333  | .141                                      | 5333  | 14721                                   |
|                            | 84   | 4571  | .192                                      | 4571  | 13563                                   |
|                            | 96   | 4000  | .250                                      | 4000  | 12226                                   |
|                            | 108  | 3556  | .317                                      | 3556  | 10712                                   |
| 120                        | 3200   | .391  | 3200                                      | 9019  |   |

**BEAM LOADS** – Loads listed are uniformly distributed.  
 When deflection is not a factor, use stress of 25,000 psi.  
 When deflection is a factor, use deflection of  $\frac{\text{span}}{240}$

**COLUMN LOADS** – Loads listed are for unbraced height, K = 1.0

**NOTE:** Must specify length, finish, and hole configuration when ordering

All dimensions are in inches unless otherwise noted.  
 See page 263 for finish and material descriptions. All material is Electro-Galvanized Steel unless otherwise noted.



# INDEX

| Part No.    | Page | Part No.    | Page | Part No.    | Page | Part No.    | Page |
|-------------|------|-------------|------|-------------|------|-------------|------|
| 740         | 237  | 0080150CP   | 48   | 0110075PL   | 222  | 035RS0800EG | 110  |
| 389001      | 51   | 0080150EG   | 46   | 0110087EG   | 222  | 035RS1000EG | 110  |
| 389002      | 51   | 0080200CP   | 48   | 0110087PL   | 222  | 035RS1200EG | 110  |
| 389003      | 51   | 0080200EG   | 46   | 0120025EG   | 222  | 035RS1400EG | 110  |
| 389004      | 51   | 0080250EG   | 46   | 0120037EG   | 222  | 035RS1600EG | 110  |
| 389005      | 51   | 0080300EG   | 46   | 0120050EG   | 222  | 035RS1800EG | 110  |
| 389006      | 51   | 0080400EG   | 46   | 0150037PC   | 236  | 035RS2000EG | 110  |
| 389007      | 51   | 008CU0025PL | 48   | 0150037W    | 236  | 0370037EG   | 121  |
| 389008      | 51   | 008CU0037PL | 48   | 0150050W    | 236  | 0370050EG   | 121  |
| 389011      | 51   | 008CU0050PL | 48   | 0250025EG   | 224  | 0380037EG   | 122  |
| 389012      | 51   | 008CU0075PL | 48   | 0250037EG   | 224  | 0403704PL   | 233  |
| 389013      | 51   | 008CU0100PL | 48   | 0250050EG   | 224  | 0403706PL   | 233  |
| 389014      | 51   | 008CU0125PL | 48   | 0250062EG   | 224  | 0403708PL   | 233  |
| 454001      | 14   | 008CU0150PL | 48   | 0250075EG   | 224  | 0413704PL   | 226  |
| 454002      | 14   | 008CU0200PL | 48   | 0250087EG   | 225  | 0413706PL   | 226  |
| 454003      | 14   | 0097524CP   | 70   | 025R3725EG  | 225  | 0413708PL   | 226  |
| 454004      | 14   | 0097524CU   | 71   | 025R5037EG  | 225  | 0413710PL   | 226  |
| 454005      | 14   | 0097524EG   | 70   | 025R6250EG  | 225  | 0413712PL   | 226  |
| 454006      | 14   | 0100025EG   | 221  | 025S0037EG  | 225  | 0415004PL   | 226  |
| 454007      | 14   | 0100025PL   | 221  | 025S0050EG  | 225  | 0415006PL   | 226  |
| 454008      | 14   | 0100037EG   | 221  | 0260037PL   | 230  | 0415008PL   | 226  |
| 454009      | 14   | 0100037PL   | 221  | 0260050PL   | 230  | 0415010PL   | 226  |
| 454010      | 14   | 0100050EG   | 221  | 0260062PL   | 230  | 0415012PL   | 226  |
| 454011      | 14   | 0100050PL   | 221  | 0260075PL   | 230  | 0422515EG   | 226  |
| 454012      | 14   | 0100062EG   | 221  | 0260087PL   | 230  | 0422520EG   | 226  |
| 454013      | 14   | 0100062PL   | 221  | 0300037PL   | 230  | 0423710EG   | 226  |
| 454014      | 14   | 0100075EG   | 221  | 0300050PL   | 230  | 0423715EG   | 226  |
| 454015      | 14   | 0100075PL   | 221  | 0300062PL   | 230  | 0423720EG   | 226  |
| 454016      | 14   | 0100087EG   | 221  | 0300075PL   | 230  | 0423725EG   | 226  |
| 454017      | 14   | 0100087PL   | 221  | 0300087PL   | 230  | 0423730EG   | 226  |
| 005275150PL | 220  | 010H0025EG  | 221  | 0310037PL   | 231  | 0423740EG   | 226  |
| 005325275PL | 220  | 010H0025PL  | 221  | 0310050PL   | 231  | 0425015EG   | 226  |
| 005550150PL | 220  | 010H0037EG  | 221  | 0310062PL   | 231  | 0425020EG   | 226  |
| 0070050EG   | 45   | 010H0037PL  | 221  | 0310075PL   | 231  | 0425025EG   | 226  |
| 0070075EG   | 45   | 010H0050EG  | 221  | 0310087PL   | 231  | 0425030EG   | 226  |
| 0070100EG   | 45   | 010H0050PL  | 221  | 0310100PL   | 231  | 0425040EG   | 226  |
| 0070125EG   | 45   | 010H0062EG  | 221  | 0310125PL   | 231  | 0431402EG   | 227  |
| 0070150EG   | 45   | 010H0062PL  | 221  | 0310150PL   | 231  | 0431602EG   | 227  |
| 0070200EG   | 45   | 010H0075EG  | 221  | 0310175PL   | 231  | 0470025PL   | 234  |
| 0080025CP   | 48   | 010H0075PL  | 221  | 0310200PL   | 231  | 0470037PL   | 234  |
| 0080025EG   | 46   | 010H0087EG  | 221  | 034SL0600EG | 110  | 0470050PL   | 234  |
| 0080037CP   | 48   | 010H0087PL  | 221  | 034SL0800EG | 110  | 0470062PL   | 234  |
| 0080037EG   | 46   | 0110025EG   | 222  | 034SL1000EG | 110  | 0470075PL   | 234  |
| 0080050CP   | 48   | 0110025PL   | 222  | 034SL1200EG | 110  | 0470087PL   | 234  |
| 0080050EG   | 46   | 0110037EG   | 222  | 034SL1400EG | 110  | 0502506EG   | 223  |
| 0080075CP   | 48   | 0110037PL   | 222  | 0350037PL   | 232  | 0502506PL   | 223  |
| 0080075EG   | 46   | 0110050EG   | 222  | 0350050PL   | 232  | 0502510EG   | 223  |
| 0080100CP   | 48   | 0110050PL   | 222  | 0350062PL   | 232  | 0502510PL   | 223  |
| 0080100EG   | 46   | 0110062EG   | 222  | 0350075PL   | 232  | 0502512EG   | 223  |
| 0080125CP   | 48   | 0110062PL   | 222  | 0350087PL   | 232  | 0502512PL   | 223  |
| 0080125EG   | 46   | 0110075EG   | 222  | 035RS0600EG | 110  | 0503706EG   | 223  |

# INDEX

| Part No.    | Page | Part No.    | Page | Part No.   | Page | Part No.  | Page |
|-------------|------|-------------|------|------------|------|-----------|------|
| 0503706PL   | 223  | 085501000PL | 235  | 102A0050VC | 25   | 1080150EG | 86   |
| 0503710EG   | 223  | 1000050EG   | 20   | 102A0075VC | 25   | 1080200EG | 86   |
| 0503710PL   | 223  | 1000050FL   | 23   | 102A0100VC | 25   | 1090075EG | 87   |
| 0503712EG   | 223  | 1000075EG   | 20   | 102A0125VC | 25   | 1090100EG | 87   |
| 0503712PL   | 223  | 1000075FL   | 23   | 102A0150VC | 25   | 1090125EG | 87   |
| 0505006EG   | 223  | 1000100EG   | 20   | 102A0200VC | 25   | 1090150EG | 87   |
| 0505006PL   | 223  | 1000100FL   | 23   | 102A0250VC | 25   | 1090200EG | 87   |
| 0505010EG   | 223  | 1000125EG   | 20   | 102A0300VC | 25   | 1110075PL | 15   |
| 0505010PL   | 223  | 1000125FL   | 23   | 102A0350VC | 25   | 1110100PL | 15   |
| 0505012EG   | 223  | 1000150EG   | 20   | 102A0400VC | 25   | 1110125PL | 15   |
| 0505012PL   | 223  | 1000150FL   | 23   | 102A0500VC | 25   | 1110150PL | 15   |
| 0506206EG   | 223  | 1000200EG   | 20   | 102A0600VC | 25   | 1110200PL | 15   |
| 0506206PL   | 223  | 1000200FL   | 23   | 1030150EG  | 26   | 1110250PL | 15   |
| 0506210EG   | 223  | 1000250EG   | 20   | 1030200EG  | 26   | 1110300PL | 15   |
| 0506210PL   | 223  | 1000250FL   | 23   | 1030250EG  | 26   | 1110350PL | 15   |
| 0506212EG   | 223  | 1000300EG   | 20   | 1030300EG  | 26   | 1110400PL | 15   |
| 0506212PL   | 223  | 1000300FL   | 23   | 1030350EG  | 26   | 1110500PL | 15   |
| 0507506EG   | 223  | 1000350EG   | 20   | 1030400EG  | 26   | 1110600PL | 15   |
| 0507506PL   | 223  | 1000350FL   | 23   | 1030500EG  | 26   | 1150250EG | 21   |
| 0507510EG   | 223  | 1000400EG   | 20   | 1030600EG  | 26   | 1150300EG | 21   |
| 0507510PL   | 223  | 1000400FL   | 23   | 1040100EG  | 27   | 1150350EG | 21   |
| 0507512EG   | 223  | 1000500EG   | 20   | 1040100EG  | 27   | 1150400EG | 21   |
| 0507512PL   | 223  | 1000600EG   | 20   | 1040100EG  | 27   | 1150500EG | 21   |
| 0508706EG   | 223  | 1000800EG   | 20   | 1040100EG  | 27   | 1150600EG | 21   |
| 0508706PL   | 223  | 100A0037EG  | 227  | 1040100EG  | 27   | 1150800EG | 21   |
| 0508710EG   | 223  | 100A0050EG  | 227  | 1040100EG  | 27   | 1210150PL | 157  |
| 0508710PL   | 223  | 1010050CP   | 22   | 1040200EG  | 27   | 1210200PL | 157  |
| 0508712EG   | 223  | 1010075CP   | 22   | 1040200EG  | 27   | 1210250PL | 157  |
| 0508712PL   | 223  | 1010100CP   | 22   | 1040200EG  | 27   | 1210300PL | 157  |
| 0513702PL   | 224  | 1010125CP   | 22   | 1040200EG  | 27   | 1210350PL | 157  |
| 0513703PL   | 224  | 1010150CP   | 22   | 1050050S4  | 210  | 1210400PL | 157  |
| 0513704PL   | 224  | 1010200CP   | 22   | 1050075S4  | 210  | 1210500PL | 157  |
| 0513705PL   | 224  | 1010250CP   | 22   | 1050100S4  | 210  | 1210600PL | 157  |
| 0513706PL   | 224  | 1010300CP   | 22   | 1050125S4  | 210  | 1210800PL | 157  |
| 0515004PL   | 224  | 1010350CP   | 22   | 1050150S4  | 210  | 1211000PL | 157  |
| 0515005PL   | 224  | 1010400CP   | 22   | 1050200S4  | 210  | 1250150EG | 156  |
| 0515006PL   | 224  | 1010500CP   | 22   | 1050250S4  | 210  | 1250200EG | 156  |
| 0515010PL   | 224  | 1010600CP   | 22   | 1050300S4  | 210  | 1250250EG | 156  |
| 0515012PL   | 224  | 1020050VC   | 24   | 1050350S4  | 210  | 1250300EG | 156  |
| 080750450L  | 236  | 1020075VC   | 24   | 1050400S4  | 210  | 1250350EG | 156  |
| 085370400PL | 235  | 1020100VC   | 24   | 1050500S4  | 210  | 1250400EG | 156  |
| 085370500PL | 235  | 1020125VC   | 24   | 1050600S4  | 210  | 1250450EG | 156  |
| 085370600PL | 235  | 1020150VC   | 24   | 1050800S4  | 210  | 1250500EG | 156  |
| 085370700PL | 235  | 1020200VC   | 24   | 1070075EG  | 86   | 1250600EG | 156  |
| 085370800PL | 235  | 1020250VC   | 24   | 1070100EG  | 86   | 1250700EG | 156  |
| 085370900PL | 235  | 1020300VC   | 24   | 1070125EG  | 86   | 1250701EG | 156  |
| 085371000PL | 235  | 1020350VC   | 24   | 1070150EG  | 86   | 1250800EG | 156  |
| 085500600PL | 235  | 1020400VC   | 24   | 1070200EG  | 86   | 1250801EG | 156  |
| 085500700PL | 235  | 1020500VC   | 24   | 1080075EG  | 86   | 1250900EG | 156  |
| 085500800PL | 235  | 1020600VC   | 24   | 1080100EG  | 86   | 1251000EG | 156  |
| 085500900PL | 235  | 1020800VC   | 24   | 1080125EG  | 86   | 1251100EG | 156  |



# INDEX

| Part No.   | Page | Part No.   | Page | Part No.   | Page | Part No.   | Page |
|------------|------|------------|------|------------|------|------------|------|
| 1251200EG  | 156  | 150M0250EG | 53   | 20MCP      | 54   | 300C3708EG | 109  |
| 1251400EG  | 156  | 150M0250PL | 53   | 20MCP24    | 56   | 300C3710EG | 109  |
| 1251500EG  | 156  | 150M0250S4 | 213  | 20MCP58    | 56   | 300C3712EG | 109  |
| 1251600EG  | 156  | 150M0300EG | 53   | 20MCP912   | 56   | 300C3714EG | 109  |
| 1251800EG  | 156  | 150M0300PL | 53   | 24M        | 54   | 300C3716EG | 109  |
| 1251900EG  | 156  | 150M0300S4 | 213  | 24M24      | 55   | 300C3718EG | 109  |
| 1252000EG  | 156  | 150M0400EG | 53   | 24M58      | 55   | 300C5008EG | 109  |
| 1252200EG  | 156  | 150M0400PL | 53   | 24M912     | 55   | 300C5010EG | 109  |
| 1252400EG  | 156  | 150M0400S4 | 213  | 24MCP      | 54   | 300C5012EG | 109  |
| 1252800EG  | 156  | 150M0500EG | 53   | 24MCP24    | 56   | 300C5014EG | 109  |
| 1351204EG  | 49   | 150M0500PL | 53   | 24MCP58    | 56   | 300C5016EG | 109  |
| 1351206EG  | 49   | 150M0500S4 | 213  | 24MCP912   | 56   | 300C6206EG | 109  |
| 1351208EG  | 49   | 150M0600EG | 53   | 2550037EG  | 94   | 300C6208EG | 109  |
| 1351210EG  | 49   | 150M0600PL | 53   | 2550037PL  | 94   | 300C6210EG | 109  |
| 1351212EG  | 49   | 150M0600S4 | 213  | 2550050EG  | 94   | 300C6212EG | 109  |
| 1352004EG  | 49   | 150M0800EG | 53   | 2550050PL  | 94   | 300C6214EG | 109  |
| 1352006EG  | 49   | 150M0800PL | 53   | 2550062EG  | 94   | 300C7506EG | 109  |
| 1352008EG  | 49   | 150M0800S4 | 213  | 2550062PL  | 94   | 300C7508EG | 109  |
| 1352010EG  | 49   | 150M1000EG | 53   | 255C3706EG | 111  | 300C7510EG | 109  |
| 1352012EG  | 49   | 150M1000PL | 53   | 255C3708EG | 111  | 300C7514EG | 109  |
| 1353008EG  | 49   | 150M1000S4 | 213  | 255C3710EG | 111  | 300C8706EG | 109  |
| 1353010EG  | 49   | 150M1200EG | 53   | 255C3714EG | 111  | 300C8708EG | 109  |
| 1353012EG  | 49   | 150M1200PL | 53   | 255C5006EG | 111  | 300C8710EG | 109  |
| 1354008EG  | 49   | 150M1200S4 | 213  | 255C5008EG | 111  | 300C8714EG | 109  |
| 1354010EG  | 49   | 150M1400EG | 53   | 255C6210EG | 111  | 304B2      | 220  |
| 1354012EG  | 49   | 150M1400PL | 53   | 255C6214EG | 111  | 3050037S6  | 212  |
| 1390150EG  | 49   | 150M1400S4 | 213  | 255L0037EG | 95   | 3050050S6  | 212  |
| 1390200EG  | 49   | 150M1600EG | 53   | 255L0037PL | 95   | 3100037EG  | 93   |
| 1390250EG  | 49   | 150M1600PL | 53   | 255L0050EG | 95   | 3100037PL  | 93   |
| 1390300EG  | 49   | 150M1600S4 | 213  | 255L0050PL | 95   | 3100050EG  | 93   |
| 1390400EG  | 49   | 150M1800EG | 53   | 255L0062EG | 95   | 3100050PL  | 93   |
| 1450037EG  | 227  | 150M1800PL | 53   | 255L0062PL | 95   | 3150037EG  | 106  |
| 1450050EG  | 227  | 150M1800S4 | 213  | 2800037EG  | 91   | 3150037PL  | 106  |
| 150M0050EG | 53   | 16M        | 54   | 2800037PL  | 91   | 3190100PL  | 127  |
| 150M0050PL | 53   | 16M24      | 55   | 2800050EG  | 91   | 3190200PL  | 127  |
| 150M0050S4 | 213  | 16M58      | 55   | 2800050PL  | 91   | 320L0037PL | 128  |
| 150M0075EG | 53   | 16M912     | 55   | 2800062EG  | 91   | 320L0050PL | 128  |
| 150M0075PL | 53   | 16MCP      | 54   | 2800062PL  | 91   | 320L0062PL | 128  |
| 150M0075S4 | 213  | 16MCP24    | 56   | 2800075EG  | 91   | 320L0075PL | 128  |
| 150M0100EG | 53   | 16MCP58    | 56   | 2800075PL  | 91   | 320L0087PL | 128  |
| 150M0100PL | 53   | 16MCP912   | 56   | 3000037EG* | 92   | 320L0100PL | 128  |
| 150M0100S4 | 213  | 2000037EG  | 97   | 3000037PL* | 92   | 320L0125PL | 128  |
| 150M0125EG | 53   | 2000037PL  | 97   | 3000050EG* | 92   | 320L0150PL | 128  |
| 150M0125PL | 53   | 2000050EG  | 97   | 3000050PL* | 92   | 320L0175PL | 128  |
| 150M0125S4 | 213  | 2000050PL  | 97   | 3000062EG  | 92   | 320L0200PL | 128  |
| 150M0150EG | 53   | 200RS375   | 98   | 3000062PL  | 92   | 320L0225PL | 128  |
| 150M0150PL | 53   | 200RS500   | 98   | 3000075EG  | 92   | 320L0250PL | 128  |
| 150M0150S4 | 213  | 20M        | 54   | 3000075PL  | 92   | 320W0037PL | 128  |
| 150M0200EG | 53   | 20M24      | 55   | 3000087EG  | 92   | 320W0050PL | 128  |
| 150M0200PL | 53   | 20M58      | 55   | 3000087PL  | 92   | 320W0062PL | 128  |
| 150M0200S4 | 213  | 20M912     | 55   | 300C3706EG | 109  | 320W0075PL | 128  |

# INDEX

| Part No.   | Page | Part No.    | Page | Part No.   | Page | Part No.  | Page |
|------------|------|-------------|------|------------|------|-----------|------|
| 320W0087PL | 128  | 3510200PL   | 130  | 365M0050CP | 117  | 4020125CP | 7    |
| 320W0100PL | 128  | 3510300PL   | 130  | 365M0050EG | 117  | 4020150CP | 7    |
| 320W0112PL | 128  | 3520100PL   | 131  | 365M0050PL | 117  | 4020200CP | 7    |
| 320W0150PL | 128  | 3520200PL   | 131  | 370A0037PL | 120  | 4020250CP | 7    |
| 320W0175PL | 128  | 3520300PL   | 131  | 370A0050PL | 120  | 4020300CP | 7    |
| 320W0200PL | 128  | 3530100PL   | 132  | 370A0062PL | 120  | 4020350CP | 7    |
| 320W0225PL | 128  | 3530200PL   | 132  | 370A0075PL | 120  | 4020400CP | 7    |
| 320W0250PL | 128  | 3530300PL   | 132  | 370A0087PL | 120  | 4020500CP | 7    |
| 3250037EG  | 123  | 3530400PL   | 132  | 4010050EG  | 4    | 4020600CP | 7    |
| 3250037PL  | 123  | 3530500PL   | 132  | 4010050RO  | 9    | 4020800CP | 7    |
| 3250050EG  | 123  | 3530600PL   | 132  | 4010075EG  | 4    | 4030150EG | 10   |
| 3250050PL  | 123  | 3550000EG   | 118  | 4010075RO  | 9    | 4030200EG | 10   |
| 3250062EG  | 123  | 3550000PL   | 118  | 4010100EG  | 4    | 4030250EG | 10   |
| 3250062PL  | 123  | 355N0025EG  | 119  | 4010100RO  | 9    | 4030300EG | 10   |
| 3250075EG  | 123  | 355N0025PL  | 119  | 4010125EG  | 4    | 4030350EG | 10   |
| 3250075PL  | 123  | 355N0037EG  | 119  | 4010125RO  | 9    | 4030400EG | 10   |
| 3250087EG  | 123  | 355N0037PL  | 119  | 4010150EG  | 4    | 4030450EG | 10   |
| 3250087PL  | 123  | 355N0050EG  | 119  | 4010150RO  | 9    | 4030500EG | 10   |
| 3250100EG  | 123  | 355N0050PL  | 119  | 4010200EG  | 4    | 4030600EG | 10   |
| 3250100PL  | 123  | 355N0062EG  | 119  | 4010200RO  | 9    | 4030700EG | 10   |
| 3260037EG  | 124  | 355N0062PL  | 119  | 4010250EG  | 4    | 4030800EG | 10   |
| 3260037PL  | 124  | 355N0075EG  | 119  | 4010250RO  | 9    | 4030900EG | 10   |
| 3270037EG  | 125  | 355N0075PL  | 119  | 4010300EG  | 4    | 4031000EG | 10   |
| 3270037PL  | 125  | 355N0087EG  | 119  | 4010300RO  | 9    | 4031100EG | 10   |
| 3270050EG  | 125  | 355N0087PL  | 119  | 4010350EG  | 4    | 4031200EG | 10   |
| 3270050PL  | 125  | 3560100PL   | 111  | 4010350RO  | 9    | 4031400EG | 10   |
| 3280037EG  | 126  | 3560200PL   | 111  | 4010400EG  | 4    | 4031500EG | 10   |
| 3280037PL  | 126  | 3560300PL   | 111  | 4010400RO  | 9    | 4031600EG | 10   |
| 3280050PL  | 126  | 3560400PL   | 111  | 4010500EG  | 4    | 4031700EG | 10   |
| 32M        | 54   | 3560500PL   | 111  | 4010500RO  | 9    | 4031800EG | 10   |
| 32M24      | 55   | 3600000PL   | 112  | 4010600EG  | 4    | 4031900EG | 10   |
| 32M58      | 55   | 361024050PL | 113  | 4010600RO  | 9    | 4032000EG | 10   |
| 32M912     | 55   | 361025062PL | 113  | 4010800EG  | 4    | 4032100EG | 10   |
| 32MCP      | 54   | 361026075PL | 113  | 4010800RO  | 9    | 4032200EG | 10   |
| 32MCP24    | 56   | 361027087PL | 113  | 4011000EG  | 4    | 4050300PL | 11   |
| 32MCP58    | 56   | 361028087PL | 113  | 4011000RO  | 9    | 4050400PL | 11   |
| 32MCP912   | 56   | 361054050PL | 113  | 4011200EG  | 4    | 4050600PL | 11   |
| 340A2503PL | 127  | 361055062PL | 113  | 4011200RO  | 9    | 4050800PL | 11   |
| 340B2503PL | 127  | 361056075PL | 113  | 4011400EG  | 4    | 4051000PL | 11   |
| 340C3703PL | 127  | 361057087PL | 113  | 4011400RO  | 9    | 4051200PL | 11   |
| 340D3704PL | 127  | 361058087PL | 113  | 4011600EG  | 4    | 4051400PL | 11   |
| 340E5004PL | 127  | 3630037PL   | 114  | 4011600RO  | 9    | 4051600PL | 11   |
| 345R0037EG | 229  | 3630050PL   | 114  | 4011800EG  | 4    | 4051800PL | 11   |
| 345R0050EG | 229  | 3630062PL   | 114  | 4011800RO  | 9    | 4052000PL | 11   |
| 345R0062EG | 229  | 3630075PL   | 114  | 4012000EG  | 4    | 4052400PL | 11   |
| 3480100PL  | 129  | 3650037CP   | 117  | 4012000RO  | 9    | 4060050S4 | 211  |
| 3480200PL  | 129  | 3650037EG   | 117  | 4012400EG  | 4    | 4060075S4 | 211  |
| 3480300PL  | 129  | 3650037PL   | 117  | 4012400RO  | 9    | 4060100S4 | 211  |
| 3500037PL  | 130  | 365M0037CP  | 117  | 4020050CP  | 7    | 4060125S4 | 211  |
| 3500050PL  | 130  | 365M0037EG  | 117  | 4020075CP  | 7    | 4060150S4 | 211  |
| 3510100PL  | 130  | 365M0037PL  | 117  | 4020100CP  | 7    | 4060200S4 | 211  |



# INDEX

| Part No.  | Page | Part No.  | Page | Part No.  | Page | Part No.  | Page |
|-----------|------|-----------|------|-----------|------|-----------|------|
| 4060250S4 | 211  | 4200075EP | 8    | 4520200PL | 38   | 4560300CP | 18   |
| 4060300S4 | 211  | 4200100EP | 8    | 4520250PL | 38   | 4700050PL | 47   |
| 4060350S4 | 211  | 4200125EP | 8    | 4520300PL | 38   | 4700075PL | 47   |
| 4060400S4 | 211  | 4200150EP | 8    | 4520400PL | 38   | 4700100PL | 47   |
| 4060500S4 | 211  | 4200200EP | 8    | 4520500PL | 38   | 4700125PL | 47   |
| 4060600S4 | 211  | 4200250EP | 8    | 4520600PL | 38   | 4700150PL | 47   |
| 4060800S4 | 211  | 4200300EP | 8    | 4520800PL | 38   | 4700200PL | 47   |
| 4061000S4 | 211  | 4200400EP | 8    | 4521000PL | 38   | 4700250PL | 47   |
| 4061200S4 | 211  | 4200500EP | 8    | 4521200PL | 38   | 4700300PL | 47   |
| 4061400S4 | 211  | 4200600EP | 8    | 4521400PL | 38   | 4700400PL | 47   |
| 4061600S4 | 211  | 4200800EP | 8    | 4521600PL | 38   | 4H24      | 237  |
| 4061800S4 | 211  | 4270200EG | 5    | 4521800PL | 38   | 4H58      | 237  |
| 4062000S4 | 211  | 4270400EG | 5    | 4522000PL | 38   | 4H912     | 237  |
| 4062400S4 | 211  | 4500050PL | 36   | 4522400PL | 38   | 4T124     | 133  |
| 4100050EG | 6    | 4500075PL | 36   | 4530600PL | 39   | 4T158     | 133  |
| 4100075EG | 6    | 4500100PL | 36   | 4530800PL | 39   | 4T1912    | 133  |
| 4100100EG | 6    | 4500125PL | 36   | 4531000PL | 39   | 5100050EG | 32   |
| 4100125EG | 6    | 4500150PL | 36   | 4531200PL | 39   | 5100050RO | 33   |
| 4100150EG | 6    | 4500200PL | 36   | 4531400PL | 39   | 5100075EG | 32   |
| 4100200EG | 6    | 4500250PL | 36   | 4531600PL | 39   | 5100075RO | 33   |
| 4100250EG | 6    | 4500300PL | 36   | 4531800PL | 39   | 5100100EG | 32   |
| 4100300EG | 6    | 4500350PL | 36   | 4532000PL | 39   | 5100100RO | 33   |
| 4100350EG | 6    | 4500400PL | 36   | 4532400PL | 39   | 5100125EG | 32   |
| 4100400EG | 6    | 4500500PL | 36   | 4550037EG | 17   | 5100125RO | 33   |
| 4100500EG | 6    | 4500600PL | 36   | 4550037PL | 17   | 5100150EG | 32   |
| 4100600EG | 6    | 4500800PL | 36   | 4550050EG | 17   | 5100150RO | 33   |
| 4100800EG | 6    | 4501000PL | 36   | 4550050PL | 17   | 5100200EG | 32   |
| 4180050EG | 28   | 4501200PL | 36   | 4550075EG | 17   | 5100200RO | 33   |
| 4180050FL | 29   | 4501400PL | 36   | 4550075PL | 17   | 5100250EG | 32   |
| 4180075EG | 28   | 4501600PL | 36   | 4550100EG | 17   | 5100250RO | 33   |
| 4180075FL | 29   | 4501800PL | 36   | 4550100PL | 17   | 5100300EG | 32   |
| 4180100EG | 28   | 4502000PL | 36   | 4550125EG | 17   | 5100300RO | 33   |
| 4180100FL | 29   | 4502400PL | 36   | 4550125PL | 17   | 5100350EG | 32   |
| 4180125EG | 28   | 4503000PL | 37   | 4550150EG | 17   | 5100350RO | 33   |
| 4180125FL | 29   | 4510300EG | 37   | 4550150PL | 17   | 5100400EG | 32   |
| 4180150EG | 28   | 4510400EG | 37   | 4550200EG | 17   | 5100400RO | 33   |
| 4180150FL | 29   | 4510500EG | 37   | 4550200PL | 17   | 5100500EG | 32   |
| 4180200EG | 28   | 4510600EG | 37   | 4550250EG | 17   | 5100500RO | 33   |
| 4180200FL | 29   | 4510800EG | 37   | 4550250PL | 17   | 5100600EG | 32   |
| 4180250EG | 28   | 4511000EG | 37   | 4550300EG | 17   | 5100600RO | 33   |
| 4180250FL | 29   | 4511200EG | 37   | 4550300PL | 17   | 5100800EG | 32   |
| 4180300EG | 28   | 4511400EG | 37   | 4550400EG | 17   | 5100800RO | 33   |
| 4180300FL | 29   | 4511600EG | 37   | 4550400PL | 17   | 5101000EG | 32   |
| 4180350EG | 28   | 4511800EG | 37   | 4560037CP | 18   | 5101000RO | 33   |
| 4180350FL | 29   | 4512000EG | 37   | 4560050CP | 18   | 5101200EG | 32   |
| 4180400EG | 28   | 4512400EG | 37   | 4560075CP | 18   | 5101200RO | 33   |
| 4180400FL | 29   | 4520050PL | 38   | 4560100CP | 18   | 5101400EG | 32   |
| 4180500EG | 28   | 4520075PL | 38   | 4560125CP | 18   | 5101600EG | 32   |
| 4180600EG | 28   | 4520100PL | 38   | 4560150CP | 18   | 5101800EG | 32   |
| 4180800EG | 28   | 4520125PL | 38   | 4560200CP | 18   | 5102000EG | 32   |
| 4200050EP | 8    | 4520150PL | 38   | 4560250CP | 18   | 5102400EG | 32   |

# INDEX

| Part No.  | Page | Part No.  | Page | Part No.  | Page | Part No.  | Page |
|-----------|------|-----------|------|-----------|------|-----------|------|
| 5110050CP | 34   | 6051600PL | 136  | 6200400PL | 141  | 6340200PL | 164  |
| 5110075CP | 34   | 6051800PL | 136  | 6200500PL | 141  | 6340250PL | 164  |
| 5110100CP | 34   | 6052000PL | 136  | 6200600PL | 141  | 6340300PL | 164  |
| 5110125CP | 34   | 6052400PL | 136  | 6200800PL | 141  | 6340350PL | 164  |
| 5110150CP | 34   | 6053000PL | 136  | 6201000PL | 141  | 6340500PL | 164  |
| 5110200CP | 34   | 6100300PL | 137  | 6201200PL | 141  | 6340800PL | 164  |
| 5110250CP | 34   | 6100350PL | 137  | 6201400PL | 141  | 6341000PL | 164  |
| 5110300CP | 34   | 6100400PL | 137  | 6201600PL | 141  | 6341200PL | 164  |
| 5110400CP | 34   | 6100500PL | 137  | 6201800PL | 141  | 6341400PL | 164  |
| 5110500CP | 34   | 6100600PL | 137  | 6202000PL | 141  | 6341600PL | 164  |
| 5110600CP | 34   | 6100800PL | 137  | 6202400PL | 141  | 6341800PL | 164  |
| 5160075PL | 42   | 6101000PL | 137  | 6203000PL | 141  | 6342000PL | 164  |
| 5160125PL | 42   | 6101200PL | 137  | 6300150PL | 160  | 6342400PL | 164  |
| 5160137PL | 42   | 6101400PL | 137  | 6300350PL | 160  | 6350400PL | 165  |
| 5160150PL | 42   | 6101600PL | 137  | 6300500PL | 160  | 6350500PL | 165  |
| 5170300PL | 42   | 6101800PL | 137  | 6300600PL | 160  | 6350800PL | 165  |
| 5170400PL | 42   | 6102000PL | 137  | 6300800PL | 160  | 6351000PL | 165  |
| 5170600PL | 42   | 6102400PL | 137  | 6310150PL | 161  | 6351200PL | 165  |
| 5170800PL | 42   | 6150250PL | 138  | 6310350PL | 161  | 6351600PL | 165  |
| 5171000PL | 42   | 6150300PL | 138  | 6310500PL | 161  | 6351800PL | 165  |
| 5171200PL | 42   | 6150350PL | 138  | 6310800PL | 161  | 6352000PL | 165  |
| 5171400PL | 42   | 6150400PL | 138  | 6311000PL | 161  | 6352400PL | 165  |
| 5171600PL | 42   | 6150500PL | 138  | 6311200PL | 161  | 6500100PT | 147  |
| 5171800PL | 42   | 6150600PL | 138  | 6311400PL | 161  | 6500200PT | 147  |
| 5172000PL | 42   | 6150800PL | 138  | 6311600PL | 161  | 6500300PT | 147  |
| 5172400PL | 42   | 6151000PL | 138  | 6311800PL | 161  | 6500400PT | 147  |
| 5200050EP | 35   | 6151200PL | 138  | 6312000PL | 161  | 6500500PT | 147  |
| 5200075EP | 35   | 6151400PL | 138  | 6312400PL | 161  | 6500600PT | 147  |
| 5200100EP | 35   | 6151600PL | 138  | 6320150PL | 162  | 6500700PT | 147  |
| 5200125EP | 35   | 6151800PL | 138  | 6320350PL | 162  | 6500800PT | 147  |
| 5200150EP | 35   | 6152000PL | 138  | 6320500PL | 162  | 6500900PT | 147  |
| 5200200EP | 35   | 6152400PL | 138  | 6320800PL | 162  | 6501000PT | 147  |
| 5200250EP | 35   | 6170350PL | 139  | 6321000PL | 162  | 6501100PT | 147  |
| 5200300EP | 35   | 6170600PL | 139  | 6321200PL | 162  | 6501200PT | 147  |
| 5200400EP | 35   | 6171000PL | 139  | 6321400PL | 162  | 6501300PT | 147  |
| 5200500EP | 35   | 6171400PL | 139  | 6321600PL | 162  | 6501400PT | 147  |
| 5200600EP | 35   | 6172000PL | 139  | 6321800PL | 162  | 6510100PT | 149  |
| 5200800EP | 35   | 6172400PL | 139  | 6322000PL | 162  | 6510200PT | 149  |
| 5470037PL | 99   | 6173000PL | 139  | 6322400PL | 162  | 6510300PT | 149  |
| 5480050PL | 99   | 6174200PL | 139  | 6330150PL | 163  | 6510400PT | 149  |
| 6010250PL | 137  | 6190350PL | 140  | 6330200PL | 163  | 6510500PT | 149  |
| 6050250PL | 136  | 6190600PL | 140  | 6330250PL | 163  | 6510600PT | 149  |
| 6050300PL | 136  | 6191000PL | 140  | 6330300PL | 163  | 6510700PT | 149  |
| 6050350PL | 136  | 6191400PL | 140  | 6330350PL | 163  | 6510800PT | 149  |
| 6050400PL | 136  | 6192000PL | 140  | 6330500PL | 163  | 6510900PT | 149  |
| 6050500PL | 136  | 6192400PL | 140  | 6330800PL | 163  | 6511000PT | 149  |
| 6050600PL | 136  | 6193000PL | 140  | 6331000PL | 163  | 6511100PT | 149  |
| 6050800PL | 136  | 6194200PL | 140  | 6331600PL | 163  | 6511200PT | 149  |
| 6051000PL | 136  | 6200250PL | 141  | 6331800PL | 163  | 6MCP24    | 56   |
| 6051200PL | 136  | 6200300PL | 141  | 6332000PL | 163  | 6MCP58    | 56   |
| 6051400PL | 136  | 6200350PL | 141  | 6332400PL | 163  | 6MCP912   | 56   |



# INDEX

| Part No.  | Page | Part No.    | Page | Part No.   | Page | Part No.    | Page |
|-----------|------|-------------|------|------------|------|-------------|------|
| 6TI24     | 133  | 7230350PL   | 152  | 812M58     | 55   | BC17D000EG  | 186  |
| 6TI58     | 133  | 7230400PL   | 152  | 812M912    | 55   | BC260025EG  | 96   |
| 6TI912    | 133  | 7230500PL   | 152  | 812MCP     | 54   | BH0050CP    | 15   |
| 7000050PL | 40   | 7230600PL   | 152  | 812MCP24   | 56   | BH0075CP    | 15   |
| 7000075PL | 40   | 7230800PL   | 152  | 812MCP58   | 56   | BH0100CP    | 15   |
| 7000100PL | 40   | 7231000PL   | 152  | 812MCP912  | 56   | BR220600EG  | 187  |
| 7000125PL | 40   | 7231200PL   | 152  | A121000PG  | 173  | BR221200EG  | 187  |
| 7000150PL | 40   | 7231400PL   | 152  | A122000GN  | 173  | BR221800EG  | 187  |
| 7000200PL | 40   | 7231600PL   | 152  | A122000PG  | 173  | BR222400EG  | 187  |
| 7000250PL | 40   | 7231800PL   | 152  | A122000PL  | 173  | BR223000EG  | 187  |
| 7000300PL | 40   | 7232000PL   | 152  | A12A2000GN | 173  | BR223600EG  | 187  |
| 7000400PL | 40   | 7232400PL   | 152  | A12A2000PG | 173  | C121000AL   | 175  |
| 7000500PL | 40   | 7232600PL   | 152  | A12AH100PG | 173  | C121000PG   | 175  |
| 7000600PL | 40   | 7233000PL   | 152  | A12AH200GN | 173  | C122000AL   | 175  |
| 7000800PL | 40   | 7233200PL   | 152  | A12AH200PG | 173  | C122000GN   | 175  |
| 7050050PL | 41   | 7233600PL   | 152  | A12H1000CG | 173  | C12H1000CG  | 175  |
| 7050075PL | 41   | 7240250PL   | 153  | A12H1000GN | 173  | C12H1000GN  | 175  |
| 7050100PL | 41   | 7240300PL   | 153  | A12H1000PG | 173  | C12H1000PG  | 175  |
| 7050125PL | 41   | 7240350PL   | 153  | A12H1000S4 | 173  | C12H2000GN  | 175  |
| 7050150PL | 41   | 7240400PL   | 153  | A12H2000CG | 173  | C12H2000PG  | 175  |
| 7050200PL | 41   | 7240500PL   | 153  | A12H2000GN | 173  | C141000PG   | 176  |
| 7050250PL | 41   | 7240600PL   | 153  | A12H2000PG | 173  | C141000S4   | 176  |
| 7050300PL | 41   | 7240800PL   | 153  | A14H1000GN | 174  | C142000S4   | 176  |
| 7050350PL | 41   | 7241000PL   | 153  | A14H1000PG | 174  | C14H1000CG  | 176  |
| 7050400PL | 41   | 7241200PL   | 153  | A14H2000GN | 174  | C14H1000GN  | 176  |
| 7050500PL | 41   | 7241400PL   | 153  | A14H2000PG | 174  | C14H1000PG  | 176  |
| 7050600PL | 41   | 7241600PL   | 153  | AF144TI    | 133  | C14H1000S4  | 176  |
| 7050800PL | 41   | 7241800PL   | 153  | AF146TI    | 133  | C14H2000CG  | 176  |
| 7210250PL | 150  | 7242000PL   | 153  | B122000GN  | 174  | C14H2000GN  | 176  |
| 7210300PL | 150  | 7242400PL   | 153  | B122000PG  | 174  | C14H2000PG  | 176  |
| 7210400PL | 150  | 7242600PL   | 153  | B12H1000PG | 174  | C14S2000GN  | 176  |
| 7210500PL | 150  | 7243000PL   | 153  | B12H2000GN | 174  | CD0B        | 57   |
| 7210600PL | 150  | 7243200PL   | 153  | B12H2000PG | 174  | CD0B37      | 57   |
| 7210800PL | 150  | 7243600PL   | 153  | BC090900EG | 105  | CD0B37CP    | 58   |
| 7211000PL | 150  | 800037050EP | 59   | BC091200EG | 105  | CD0BCP      | 58   |
| 7211200PL | 150  | 800050075EP | 59   | BC091500EG | 105  | CD1B        | 57   |
| 7211400PL | 150  | 800075100EP | 59   | BC100000EG | 104  | CD1B37      | 57   |
| 7211600PL | 150  | 800100125EP | 59   | BC101500EG | 105  | CD1B37CP    | 58   |
| 7211800PL | 150  | 801000200EP | 59   | BC130025EG | 102  | CD1BCP      | 58   |
| 7212000PL | 150  | 801037050EP | 59   | BC130031EG | 102  | CD2.53B37CP | 58   |
| 7212400PL | 150  | 801050075EP | 59   | BC130037EG | 102  | CD2.5BCP    | 58   |
| 7212600PL | 150  | 801075100EP | 59   | BC130050EG | 102  | CD2B        | 57   |
| 7213000PL | 150  | 801100125EP | 59   | BC130062EG | 102  | CD2B37      | 57   |
| 7213200PL | 150  | 801125150EP | 59   | BC130075EG | 102  | CD2B37CP    | 58   |
| 7213600PL | 150  | 801150000EP | 59   | BC140025EG | 103  | CD2BCP      | 58   |
| 7220400PL | 151  | 801200000EP | 59   | BC140037EG | 103  | CD3B        | 57   |
| 7220600PL | 151  | 802037050EP | 60   | BC140050EG | 103  | CD3B37      | 57   |
| 7220800PL | 151  | 802050075EP | 60   | BC140062EG | 103  | CD3B37CP    | 58   |
| 7221000PL | 151  | 802075100EP | 60   | BC16A000EG | 186  | CD3BCP      | 58   |
| 7230250PL | 152  | 812M        | 54   | BC16C000EG | 186  | CD4B        | 57   |
| 7230300PL | 152  | 812M24      | 55   | BC17A000EG | 186  | CD4B37      | 57   |

# INDEX

| Part No.     | Page | Part No.   | Page | Part No.   | Page | Part No.   | Page |
|--------------|------|------------|------|------------|------|------------|------|
| CD5B         | 57   | EPS0050EG  | 60   | HSCR3712PL | 235  | NUT0031EG  | 180  |
| CD5B37       | 57   | EPS0075EG  | 60   | HSCR3715EG | 235  | NUT0037EG  | 180  |
| CD5B37CP     | 58   | EPS0100EG  | 60   | HSCR3715PL | 235  | NUT0050EG  | 180  |
| CD5BCP       | 58   | EPS0125EG  | 60   | HSCR3720EG | 235  | NUT0062EG  | 180  |
| CD6B         | 57   | EPS0150EG  | 60   | HSCR3720PL | 235  | NUT0075EG  | 180  |
| CD7B         | 57   | EPS0200EG  | 60   | HSCR5007EG | 235  | NUT0087EG  | 180  |
| CD8B         | 57   | ESGP       | 238  | HSCR5010EG | 235  | NUTC0050EG | 180  |
| CD9B         | 57   | ET0050HD   | 107  | HSCR5012EG | 235  | NUTC0062EG | 180  |
| CL100000CG   | 187  | ET0075HD   | 107  | HSCR5015EG | 235  | NUTC0075EG | 180  |
| CL100000EG   | 187  | ET0100HD   | 107  | HSCR5020EG | 235  | NUTC0087EG | 180  |
| CL100000GN   | 187  | ET0125HD   | 107  | L100000EG  | 193  | OD0025EG   | 75   |
| CL100000PS   | 187  | ET0150HD   | 107  | L110000EG  | 193  | OD0025S4   | 214  |
| CONA122000PG | 177  | ET0200HD   | 107  | L120300EG  | 194  | OD0037EG   | 75   |
| CONB122000PG | 177  | ET0250HD   | 107  | L120350EG  | 194  | OD0037S4   | 214  |
| CONC122000PG | 177  | ET0300HD   | 107  | L120400EG  | 194  | OD0050EG   | 75   |
| COPC0025CP   | 78   | F090000EG  | 188  | L150000EG  | 194  | OD0050S4   | 214  |
| COPC0037CP   | 78   | F100000EG  | 189  | L160000EG  | 195  | OD0062EG   | 75   |
| COPC0050CP   | 78   | F110000EG  | 189  | L170000EG  | 195  | OD0062S4   | 214  |
| COPC0075CP   | 78   | F120000EG  | 189  | L180000EG  | 195  | OD0075EG   | 75   |
| COPC0100CP   | 78   | F120062EG  | 189  | L190000EG  | 196  | OD0075S4   | 214  |
| COPC0125CP   | 78   | F120075EG  | 189  | L200000EG  | 196  | OD0087EG   | 75   |
| COPC0150CP   | 78   | F130000EG  | 189  | L220000EG  | 196  | OD0087S4   | 214  |
| COPC0200CP   | 78   | F140000EG  | 189  | L23U0000EG | 197  | OD0100EG   | 75   |
| COPC0250CP   | 78   | F150000EG  | 189  | L24L0000EG | 197  | OD0100S4   | 214  |
| COPC0300CP   | 78   | F160000EG  | 189  | L24R0000EG | 197  | OD0112EG   | 75   |
| COPC0350CP   | 78   | F170000EG  | 189  | L25L0000EG | 198  | OD0112S4   | 214  |
| COPC0400CP   | 78   | F180000EG  | 189  | L25R0000EG | 198  | OD0125EG   | 75   |
| COPC0500CP   | 78   | F200000EG  | 190  | L26L0000EG | 198  | OD0125S4   | 214  |
| COPC0600CP   | 78   | F220000EG  | 190  | L26R0000EG | 198  | OD0137EG   | 75   |
| D122000PG    | 176  | F230000EG  | 191  | L270000EG  | 199  | OD0137S4   | 214  |
| D12H1000GN   | 176  | F250000EG  | 191  | L441200EG  | 199  | OD0150EG   | 75   |
| D12H1000PG   | 176  | F360000EG  | 192  | L441600EG  | 199  | OD0150S4   | 214  |
| D12H2000GN   | 176  | F370000EG  | 192  | L441800EG  | 199  | OD0162EG   | 75   |
| D12H2000PG   | 176  | HMZE200    | 228  | L460300EG  | 200  | OD0162S4   | 214  |
| D12S2000GN   | 176  | HMZE215    | 228  | L460450EG  | 200  | OD0175EG   | 75   |
| E122000GN    | 177  | HMZE220    | 228  | L460600EG  | 200  | OD0175S4   | 214  |
| E12H1000GN   | 177  | HMZE230    | 228  | L470300EG  | 200  | OD0187EG   | 75   |
| E12H1000PG   | 177  | HMZE380    | 228  | L470450EG  | 200  | OD0187S4   | 214  |
| E12H2000GN   | 177  | HMZG471    | 228  | L470600EG  | 200  | OD0200EG   | 75   |
| E12H2000PG   | 177  | HMZG550    | 228  | L470825EG  | 200  | OD0200S4   | 214  |
| EMTC0050EG   | 78   | HMZG660    | 228  | LHSR6      | 20   | OD0212EG   | 75   |
| EMTC0075EG   | 78   | HMZG730    | 228  | MSP20      | 238  | OD0212S4   | 214  |
| EMTC0100EG   | 78   | HMZG735    | 228  | MSR24      | 71   | OD0225EG   | 75   |
| EMTC0125EG   | 78   | HMZH455    | 228  | MSR58      | 71   | OD0225S4   | 214  |
| EMTC0150EG   | 78   | HMZH475    | 228  | MSR912     | 71   | OD0237EG   | 75   |
| EMTC0200EG   | 78   | HMZH476    | 228  | MSS24      | 72   | OD0237S4   | 214  |
| ENDCA120EG   | 188  | HMZH665    | 228  | MSS58      | 72   | OD0250EG   | 75   |
| ENDCA140EG   | 188  | HSCR3707EG | 235  | MSS912     | 72   | OD0250S4   | 214  |
| ENDCB120EG   | 188  | HSCR3710EG | 235  | NUT0008EG  | 180  | OD0262EG   | 75   |
| ENDCC140EG   | 188  | HSCR3710PL | 235  | NUT0010EG  | 180  | OD0262S4   | 214  |
| ENDCE120EG   | 188  | HSCR3712EG | 235  | NUT0025EG  | 180  | OD0275EG   | 75   |



# INDEX

| Part No. | Page | Part No.  | Page | Part No.   | Page | Part No.   | Page |
|----------|------|-----------|------|------------|------|------------|------|
| OD0275S4 | 214  | OD0600EG  | 75   | PAR0100HD  | 107  | RIGD0125S4 | 215  |
| OD0287EG | 75   | OD0600S4  | 214  | PAR0125HD  | 107  | RIGD0150EG | 74   |
| OD0287S4 | 214  | OD0612EG  | 75   | PAR0150HD  | 107  | RIGD0150S4 | 215  |
| OD0300EG | 75   | OD0612S4  | 214  | PAR0200HD  | 107  | RIGD0200EG | 74   |
| OD0300S4 | 214  | OD0625EG  | 75   | PAR0250HD  | 107  | RIGD0200S4 | 215  |
| OD0312EG | 75   | OD0625S4  | 214  | PAR0300HD  | 107  | RIGD0250EG | 74   |
| OD0312S4 | 214  | OD0637EG  | 75   | PAR0350HD  | 107  | RIGD0250S4 | 215  |
| OD0325EG | 75   | OD0637S4  | 214  | PAR0400HD  | 107  | RIGD0300EG | 74   |
| OD0325S4 | 214  | OD0650EG  | 75   | PCC0025EG  | 76   | RIGD0300S4 | 215  |
| OD0337EG | 75   | OD0650S4  | 214  | PCC0037EG  | 76   | RIGD0350EG | 74   |
| OD0337S4 | 214  | OD0662EG  | 75   | PCC0050EG  | 76   | RIGD0350S4 | 215  |
| OD0350EG | 75   | OD0662S4  | 214  | PCC0075EG  | 76   | RIGD0400EG | 74   |
| OD0350S4 | 214  | OD0675EG  | 75   | PCC0100EG  | 76   | RIGD0400S4 | 215  |
| OD0362EG | 75   | OD0675S4  | 214  | PCC0125EG  | 76   | RIGD0500EG | 74   |
| OD0362S4 | 214  | OD0687EG  | 75   | PCC0150EG  | 76   | RIGD0500S4 | 215  |
| OD0375EG | 75   | OD0687S4  | 214  | PCC0200EG  | 76   | RIGD0600EG | 74   |
| OD0375S4 | 214  | OD0700EG  | 75   | PCC0250EG  | 76   | RIGD0600S4 | 215  |
| OD0387EG | 75   | OD0700S4  | 214  | PCC0300EG  | 76   | RIGD0800EG | 74   |
| OD0387S4 | 214  | OD0712EG  | 75   | PCC0350EG  | 76   | RIGD0800S4 | 215  |
| OD0400EG | 75   | OD0712S4  | 214  | PCC0400EG  | 76   | ROL1000EG  | 203  |
| OD0400S4 | 214  | OD0725EG  | 75   | PCC0500EG  | 76   | ROL1100EG  | 203  |
| OD0412EG | 75   | OD0725S4  | 214  | PCC0600EG  | 76   | ROL1200EG  | 142  |
| OD0412S4 | 214  | OD0737EG  | 75   | PH4        | 100  | ROL13034EG | 142  |
| OD0425EG | 75   | OD0737S4  | 214  | PH6        | 100  | ROL13046EG | 142  |
| OD0425S4 | 214  | OD0750EG  | 75   | PH6FP      | 100  | ROL13068EG | 142  |
| OD0437EG | 75   | OD0750S4  | 214  | PHSW4      | 101  | ROL14000EG | 144  |
| OD0437S4 | 214  | OD0762EG  | 75   | PHSW6      | 101  | ROL15000EG | 145  |
| OD0450EG | 75   | OD0762S4  | 214  | PHSW6FP    | 101  | RPS150T1   | 68   |
| OD0450S4 | 214  | OD0775EG  | 75   | PPRPS25H4  | 66   | RPS150T2   | 68   |
| OD0462EG | 75   | OD0775S4  | 214  | PPRPS25H6  | 66   | RPS300T1   | 68   |
| OD0462S4 | 214  | OD0787EG  | 75   | RA0037HD   | 108  | RPS300T2   | 68   |
| OD0475EG | 75   | OD0787S4  | 214  | RA0050HD   | 108  | RPS50AHSV  | 67   |
| OD0475S4 | 214  | OD0800EG  | 75   | RA0075HD   | 108  | RPS50H4EG  | 67   |
| OD0487EG | 75   | OD0800S4  | 214  | RA0100HD   | 108  | RPS50H6EG  | 67   |
| OD0487S4 | 214  | OD0812EG  | 75   | RA0125HD   | 108  | RPS600T2   | 68   |
| OD0500EG | 75   | OD0812S4  | 214  | RA0150HD   | 108  | RPCSCSEG   | 68   |
| OD0500S4 | 214  | OD0825EG  | 75   | RA0200HD   | 108  | SAA1400EG  | 240  |
| OD0512EG | 75   | OD0825S4  | 214  | RA0250HD   | 108  | SAD1400EG  | 240  |
| OD0512S4 | 214  | OD0837EG  | 75   | RA0300HD   | 108  | SAE1200EG  | 241  |
| OD0525EG | 75   | OD0837S4  | 214  | RA0350HD   | 108  | SCH12      | 80   |
| OD0525S4 | 214  | OD0850EG  | 75   | RA0400HD   | 108  | SCH12B     | 80   |
| OD0537EG | 75   | OD0850S4  | 214  | RAWL3758   | 229  | SCH16      | 80   |
| OD0537S4 | 214  | OD0862EG  | 75   | RIGD0037EG | 74   | SCH16B     | 80   |
| OD0550EG | 75   | OD0862S4  | 214  | RIGD0037S4 | 215  | SCH20      | 80   |
| OD0550S4 | 214  | P090000EG | 201  | RIGD0050EG | 74   | SCH20B     | 80   |
| OD0562EG | 75   | P100000EG | 201  | RIGD0050S4 | 215  | SCH24B     | 80   |
| OD0562S4 | 214  | P110000EG | 202  | RIGD0075EG | 74   | SCH32B     | 80   |
| OD0575EG | 75   | P130000EG | 202  | RIGD0075S4 | 215  | SCH40B     | 80   |
| OD0575S4 | 214  | PAR0037HD | 107  | RIGD0100EG | 74   | SCH48B     | 80   |
| OD0587EG | 75   | PAR0050HD | 107  | RIGD0100S4 | 215  | SCH56B     | 80   |
| OD0587S4 | 214  | PAR0075HD | 107  | RIGD0125EG | 74   | SCH64B     | 80   |

# INDEX

| Part No.  | Page | Part No.   | Page | Part No.   | Page | Part No.       | Page |
|-----------|------|------------|------|------------|------|----------------|------|
| SCH6B     | 80   | SLWPT      | 64   | STR0062EG  | 45   | TCC0150CP      | 77   |
| SCH72B    | 80   | SMS8       | 52   | STR0062EG  | 82   | TCC0162CP      | 77   |
| SCH8      | 80   | SO12A      | 87   | STR0075EG  | 45   | TCC0175CP      | 77   |
| SCH8B     | 80   | SO16A      | 87   | STR0075EG  | 82   | TCC0187CP      | 77   |
| SGB16A    | 52   | SO20A      | 87   | STR0087EG  | 45   | TCC0200CP      | 77   |
| SGB24A    | 52   | SO24A      | 87   | STR0087EG  | 82   | TCC0212CP      | 77   |
| SK125I    | 81   | SO32A      | 87   | STR0100EG  | 45   | TCC0250CP      | 77   |
| SK165I    | 81   | SPRA0008EG | 181  | STR0100EG  | 82   | TCC0262CP      | 77   |
| SK205I    | 81   | SPRA0010EG | 181  | STR20050EG | 47   | TCC0300CP      | 77   |
| SK245I    | 81   | SPRA0025EG | 181  | STR20050EG | 82   | TCC0312CP      | 77   |
| SK325I    | 81   | SPRA0031EG | 181  | STR20075EG | 47   | TCC0331CP      | 77   |
| SK405I    | 81   | SPRA0037EG | 181  | STR20075EG | 82   | TCC0362CP      | 77   |
| SK485I    | 81   | SPRA0050EG | 181  | STR20100EG | 47   | TCC0412CP      | 77   |
| SK565I    | 81   | SPRA0062EG | 181  | STR20100EG | 82   | TCC0431CP      | 77   |
| SK645I    | 81   | SPRA0075EG | 181  | STR20125EG | 47   | TCC0512CP      | 77   |
| SK85I     | 81   | SPRA0087EG | 181  | STR20125EG | 82   | TCC0612CP      | 77   |
| SL1214    | 64   | SPRC0008EG | 181  | STR20150EG | 47   | TP2201000125PL | 244  |
| SL1518    | 64   | SPRC0010EG | 181  | STR20150EG | 82   | TP2201000150PL | 244  |
| SLADCP    | 64   | SPRC0025EG | 181  | STR20200EG | 47   | TP2201000200PL | 244  |
| SLADS     | 64   | SPRC0031EG | 181  | STR20200EG | 82   | TP2201000250PL | 244  |
| SLD15L10  | 63   | SPRC0037EG | 181  | STR20250EG | 47   | TP2201000300PL | 244  |
| SLD15L10S | 63   | SPRC0050EG | 181  | STR20250EG | 82   | TP2201000400PL | 244  |
| SLD15L2   | 63   | SPRC0062EG | 181  | STR20300EG | 47   | TP2201000500PL | 244  |
| SLD15L2S  | 63   | SPRC0075EG | 181  | STR20300EG | 82   | TP2201000600PL | 244  |
| SLD15L5   | 63   | SPRC0087EG | 181  | STR20350EG | 47   | TP2201000800PL | 244  |
| SLD15L5S  | 63   | SPRD0025EG | 182  | STR20350EG | 82   | TP2201250125PL | 244  |
| SLD2L1    | 62   | SPRD0037EG | 182  | STR20400EG | 47   | TP2201250150PL | 244  |
| SLD2L10   | 62   | SPRD0050EG | 182  | STR20400EG | 82   | TP2201250200PL | 244  |
| SLD2L1BP  | 62   | SPRD0062EG | 182  | STR20500EG | 47   | TP2201250250PL | 244  |
| SLD2L2    | 62   | SPRD0075EG | 182  | STR20500EG | 82   | TP2201250300PL | 244  |
| SLD2L2BP  | 62   | SPRM2508EG | 182  | STR20600EG | 47   | TP2201250400PL | 244  |
| SLD2L3    | 62   | SPRM2511EG | 182  | STR20600EG | 82   | TP2201250500PL | 244  |
| SLD2L3BP  | 62   | SPRM2515EG | 182  | STS        | 179  | TP2201250600PL | 244  |
| SLD2L5    | 62   | SPRM3708EG | 182  | SWF0037EG  | 231  | TP2201250800PL | 244  |
| SLD3L1    | 62   | SPRM3711EG | 182  | SWF0050EG  | 231  | TP225100PL     | 245  |
| SLD3L10   | 62   | SPRM3716EG | 182  | SWFF0037EG | 232  | TP225125PL     | 245  |
| SLD3L2    | 62   | SPRM3718EG | 182  | SWFF0050EG | 232  | TP225A000PL    | 245  |
| SLD3L2BP  | 62   | SPRM3721EG | 182  | SWM0037EG  | 233  | TP225G100PL    | 245  |
| SLD3L2SS  | 62   | SPRM5011EG | 182  | SWM0050EG  | 233  | TP225G125PL    | 245  |
| SLD3L3    | 62   | SPRM5013EG | 182  | SWMF0037EG | 234  | TP2301000100PL | 246  |
| SLD3L3BP  | 62   | SQNT0025EG | 183  | SWMF0050EG | 234  | TP2301000125PL | 246  |
| SLD3L3SS  | 63   | SQNT0037EG | 183  | TCC0025CP  | 77   | TP2301000150PL | 246  |
| SLD3L5    | 62   | SQNT0050EG | 183  | TCC0037CP  | 77   | TP2301000200PL | 246  |
| SLEB250   | 64   | SQNT0062EG | 183  | TCC0050CP  | 77   | TP2301000250PL | 246  |
| SLEB375   | 64   | STCB6      | 185  | TCC0062CP  | 77   | TP2301000300PL | 246  |
| SLEBWS    | 64   | STR0025EG  | 45   | TCC0075CP  | 77   | TP2301000400PL | 246  |
| SLICK250  | 178  | STR0025EG  | 82   | TCC0087CP  | 77   | TP2301000500PL | 246  |
| SLICK375  | 178  | STR0037EG  | 45   | TCC0100CP  | 77   | TP2301000600PL | 246  |
| SLICK500  | 178  | STR0037EG  | 82   | TCC0112CP  | 77   | TP2301000800PL | 246  |
| SLLC250   | 64   | STR0050EG  | 45   | TCC0125CP  | 77   | TP2301250125PL | 246  |
| SLWC      | 64   | STR0050EG  | 82   | TCC0137CP  | 77   | TP2301250150PL | 246  |



# INDEX

| Part No.        | Page | Part No.   | Page    |
|-----------------|------|------------|---------|
| TP2301250200PL  | 246  | UNIV0125EG | 83      |
| TP2301250250PL  | 246  | UNIV0150EG | 83      |
| TP2301250300PL  | 246  | UNIV0200EG | 83      |
| TP2301250400PL  | 246  | VAFT       | 64, 134 |
| TP2301250500PL  | 246  | VF144TI    | 134     |
| TP2301250600PL  | 246  | VF146TI    | 134     |
| TP2301250800PL  | 246  | VS0050EG   | 183     |
| TP230G1000600PL | 246  | VS200000   | 83      |
| TP230G1000800PL | 246  | VTR#11000  | 27      |
| TP230G1250600PL | 246  | VTR#21000  | 27      |
| TP230G1250800PL | 246  | W10L0000EG | 205     |
| TP235100PL      | 247  | W10R0000EG | 205     |
| TP235125PL      | 247  | W120000EG  | 205     |
| TP2401000100EG  | 247  | W130000EG  | 206     |
| TP2401000100PL  | 247  | W170000EG  | 206     |
| TP2401000125EG  | 247  | W180000EG  | 207     |
| TP2401000125PL  | 247  | W190000EG  | 207     |
| TP2800100PL     | 248  | W200000EG  | 208     |
| TP280P0100PL    | 248  | W230000EG  | 208     |
| TPC112          | 51   | WH02050CP  | 50      |
| TPC238          | 51   | WH02075CP  | 50      |
| TSGB16          | 52   | WH04050CP  | 50      |
| TSGB16112       | 51   | WH04050PL  | 50      |
| TSGB24          | 52   | WH04050VC  | 50      |
| TSGB24112       | 51   | WH04075CP  | 50      |
| TSM0037         | 79   | WH04075PL  | 50      |
| TSM0050         | 79   | WH04075VC  | 50      |
| TSM0062         | 79   | WH06050CP  | 50      |
| TSM0075         | 79   | WH06050PL  | 50      |
| TSM0087         | 79   | WH06050VC  | 50      |
| TSM0112         | 79   | WH06075CP  | 50      |
| TSM0137         | 79   | WH06075PL  | 50      |
| TSM0162         | 79   | WH06075VC  | 50      |
| TSMI0037        | 79   | WH06100CP  | 50      |
| TSMI0050        | 79   | WH06100PL  | 50      |
| TSMI0062        | 79   | WH06100VC  | 50      |
| TSMI0075        | 79   | WH06125PL  | 50      |
| TSMI0087        | 79   | WH06125VC  | 50      |
| TSMI0112        | 79   | WH06150PL  | 50      |
| TSMI0137        | 79   | WH06150VC  | 50      |
| TSMI0162        | 79   | WH08075CP  | 50      |
| TSNT0025EG      | 183  | WH08075PL  | 50      |
| TSNT0037EG      | 183  | WH08075VC  | 50      |
| TSNT0050EG      | 183  | WH08200PL  | 50      |
| U10A0000EG      | 204  | WH08200VC  | 50      |
| U24A0000EG      | 204  | WH10200PL  | 50      |
| U24C0000EG      | 204  |            |         |
| U24D0000EG      | 204  |            |         |
| UNIV0050EG      | 83   |            |         |
| UNIV0075EG      | 83   |            |         |
| UNIV0100EG      | 83   |            |         |

## ERICO® Online

Visit the ERICO website at [www.erico.com](http://www.erico.com) for new product information, up-to-date product specifications and applications, a list of upcoming events and industry tradeshow participation and more.

An electronic library provides pertinent product literature in an easy-to-download PDF format. This is a great way to stay informed on all the current publications. New product brochures and datasheets are posted as soon as they are produced.

In the News & Events section, customers can find new product updates, press releases and lists of seminars.

Locations and contact information is listed for ERICO offices around the world.

[www.erico.com](http://www.erico.com) provides a convenient way to get the answers you need day or night. Visit ERICO online.



# ERICO®



[www.erico.com](http://www.erico.com)



## AUSTRALIA

6 Chilvers Road  
P.O. Box 148  
Thornleigh (Sydney) NSW 2120  
Australia  
Phone 61-2-9479-8500  
Fax 61-2-9484-9188



## GERMANY

66851 Schwannemühle  
Germany  
Phone 49-6307-918-10  
Fax 49-6307-918-150



## POLAND

ul. Krzemieniecka 17  
54-613 Wrocław  
Poland  
Phone 48-71-374-40-22  
Fax 48-71-374-40-43



## BELGIUM

Postbus 33  
3110 Rotselaar  
Belgium  
Phone 32-14-69-96-88  
Fax 32-14-69-96-90



## HONG KONG

Unit 1, 2nd Floor, Block A  
Po Yip Building  
62-70 Texaco Road  
Tsuen Wan, New Territories  
Hong Kong  
Phone 852-2764-8808  
Fax 852-2764-4486



## SINGAPORE

Jurong Industrial Estate  
16 Wan Lee Road  
Singapore 627 946  
Phone 65-6-268-3433  
Fax 65-6-268-1389



## BRAZIL

R. Dom Pedro Henrique de Orleans  
E Braganca, 276  
Vila Jaguara  
São Paulo CEP 05117-000  
Brazil  
Phone 55-11-3621-4111  
Fax 55-11-3621-4066



## HUNGARY

P.f. 184  
1476 Budapest  
Hungary  
Phone 31-13-58-34-547  
Fax 31-13-58-35-499



## SPAIN

C/Provenza 288, Pral.  
08008 Barcelona  
Spain  
Phone 34-93-467-7726  
Fax 34-93-467-7725



## CANADA

P.O. Box 170  
Mississauga, Ontario  
Canada L5M 2B8  
Phone 1-800-677-9089  
Fax 1-800-677-8131



## INDONESIA

Sudirman Square Tower B 19th Fl.  
Jalan Jend. Sudirman Kav. 45-46  
Jakarta 12930  
Indonesia  
Phone 62-21-575-0941  
Fax 62-21-575-0942



## SWEDEN

Box 211  
201 22 Malmö  
Sweden  
Phone 46-40-611-13-60  
Fax 46-40-611-94-15



## CHILE

Alcantara 200, piso 6 Of. 17  
Las Condes, Santiago  
Chile  
Phone 56-2-370-2908  
Fax 56-2-370-2914



## ITALY

A&B Business Center  
Via Vallia 16, nr. 17  
20141 Milano  
Italy  
Phone 39-02-8474-2250  
Fax 39-02-8474-2251



## SWITZERLAND

Postfach 54  
3280 Murten  
Switzerland  
Phone 00-800-5000-1090  
Fax 00-800-6000-1090



## CHINA

Room 1204  
Tomson Commercial Building  
No. 710 Dongfang Road  
Pudong, Shanghai  
P.R. China 200122  
Phone 86-21-5081-3900  
Fax 86-21-5831-8177



## MEXICO

Melchor Ocampo 193  
Torre A piso 13  
Col. Veronica Anzures  
11300 Mexico D.F.  
Mexico  
Phone 52-55-5260-5991  
Fax 52-55-5260-3310



## THAILAND

163 Ocean Insurance Bldg.  
16th Fl. Unit B  
Surawongse Road  
Bangrak Bangkok 10500  
Thailand  
Phone 66-2-634-1692  
Fax 66-2-634-1694



## DENMARK

Box 211  
201 22 Malmö  
Sweden  
Phone 46-40-611-13-60  
Fax 46-40-611-94-15



## NETHERLANDS

Jules Verneweg 75  
5015 BG Tilburg  
Netherlands  
Phone 31-13-58-35-400  
Fax 31-13-58-35-499



## UNITED KINGDOM

52 Milford Road  
Reading, Berkshire RG1 8LJ  
United Kingdom  
Phone 44-118-958-8386  
Fax 44-118-955-0925



## FRANCE

Rue Benoit Fourneryon Z.I. Sud  
Boîte Postale 31  
42161 Andrezieux Cedex  
France  
Phone 33-4-77-36-56-56  
Fax 33-4-77-55-37-89



## NORWAY

Postboks 148  
1366 Lysaker  
Norway  
Phone 47-67-53-12-00  
Fax 47-67-12-42-68



## UNITED STATES

34600 Solon Road  
Solon, Ohio 44139  
U.S.A.  
Phone 1-440-248-0100  
Fax 1-440-248-0723